

US00D496729S1

(12) **United States Design Patent**
Pajunk et al.

(10) **Patent No.:** **US D496,729 S**
(45) **Date of Patent:** **** Sep. 28, 2004**

(54) **VALVE FOR TROCAR DEVICE**

2004/0010230 A1 * 1/2004 Dittrich et al. 604/167.06

(75) Inventors: **Horst Pajunk**, Geisingen (DE);
Heinrich Pajunk, Geisingen (DE)

* cited by examiner

Primary Examiner—Ian Simmons

(73) Assignee: **Pajunk GmbH** (DE)

(74) *Attorney, Agent, or Firm*—Pendorf & Cutliff

(**) Term: **14 Years**

(57) **CLAIM**

The ornamental design for a valve for trocar device, as shown and described.

(21) Appl. No.: **29/185,351**

(22) Filed: **Jun. 26, 2003**

DESCRIPTION

(51) **LOC (7) Cl.** **24-02**

FIG. 1 is bottom view of a valve for trocar device according to the present invention;

(52) **U.S. Cl.** **D24/146; D24/129**

FIG. 2 is a left side view of the a valve for trocar device according to the present invention;

(58) **Field of Search** D24/146, 129;
606/185, 167; 600/566, 567; 604/256, 264,
247, 248, 184, 158, 167.03, 167.04, 167.06,
167.05, 167.02, 167.01, 510

FIG. 3 is a top view of the a valve for trocar device according to the present invention;

FIG. 4 is a right side view of the a valve for trocar device according to the present invention;

(56) **References Cited**

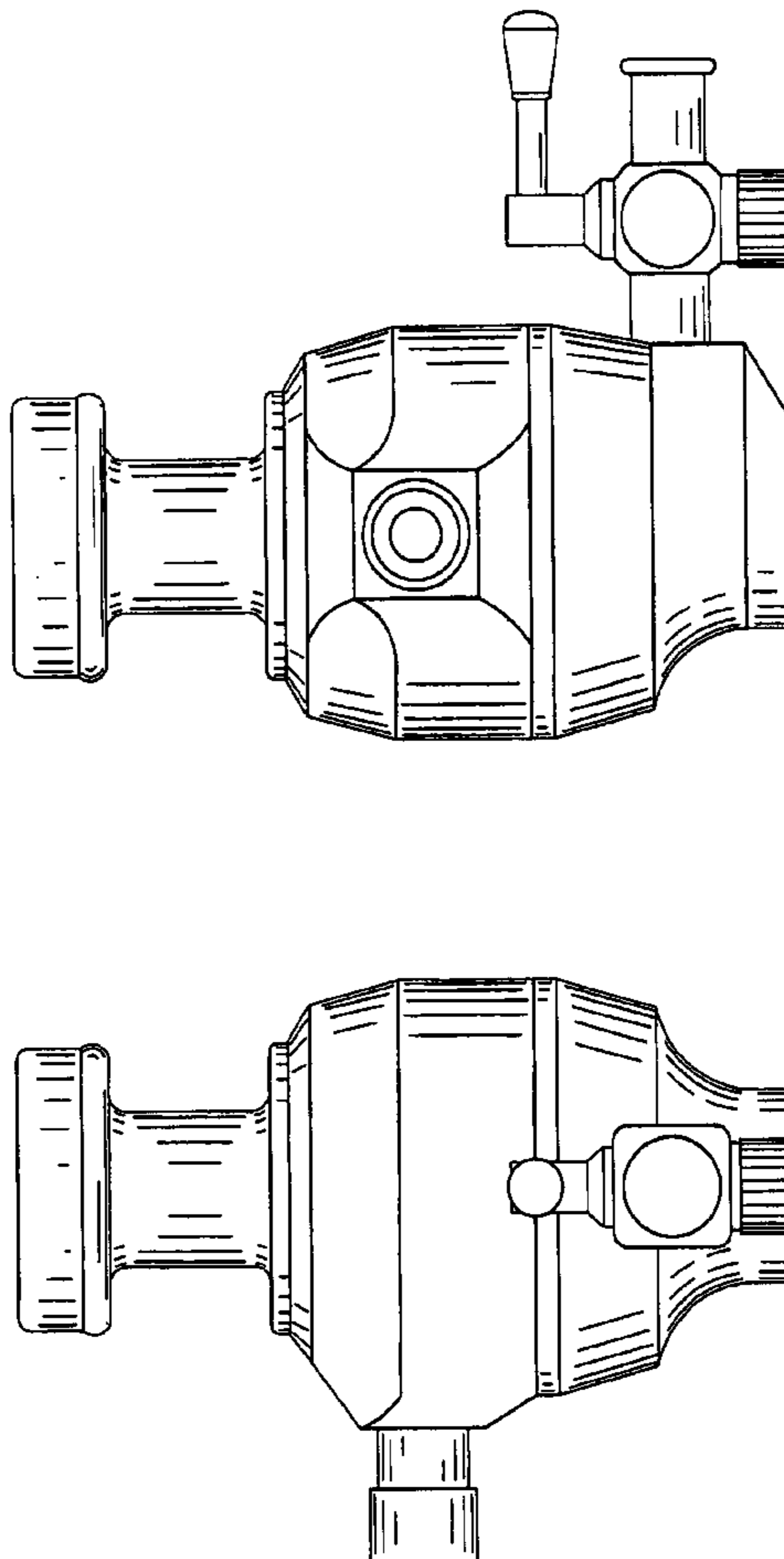
U.S. PATENT DOCUMENTS

- D364,924 S * 12/1995 Medema D24/146
- 5,531,758 A * 7/1996 Uschold et al. 606/185
- 5,779,697 A * 7/1998 Glowa et al. 606/185
- 5,843,031 A * 12/1998 Hermann et al. 604/510

FIG. 5 is a front view of the valve for trocar device according to FIG. 2; and,

FIG. 6 is a back view of the valve for trocar device according to FIG. 2.

1 Claim, 3 Drawing Sheets



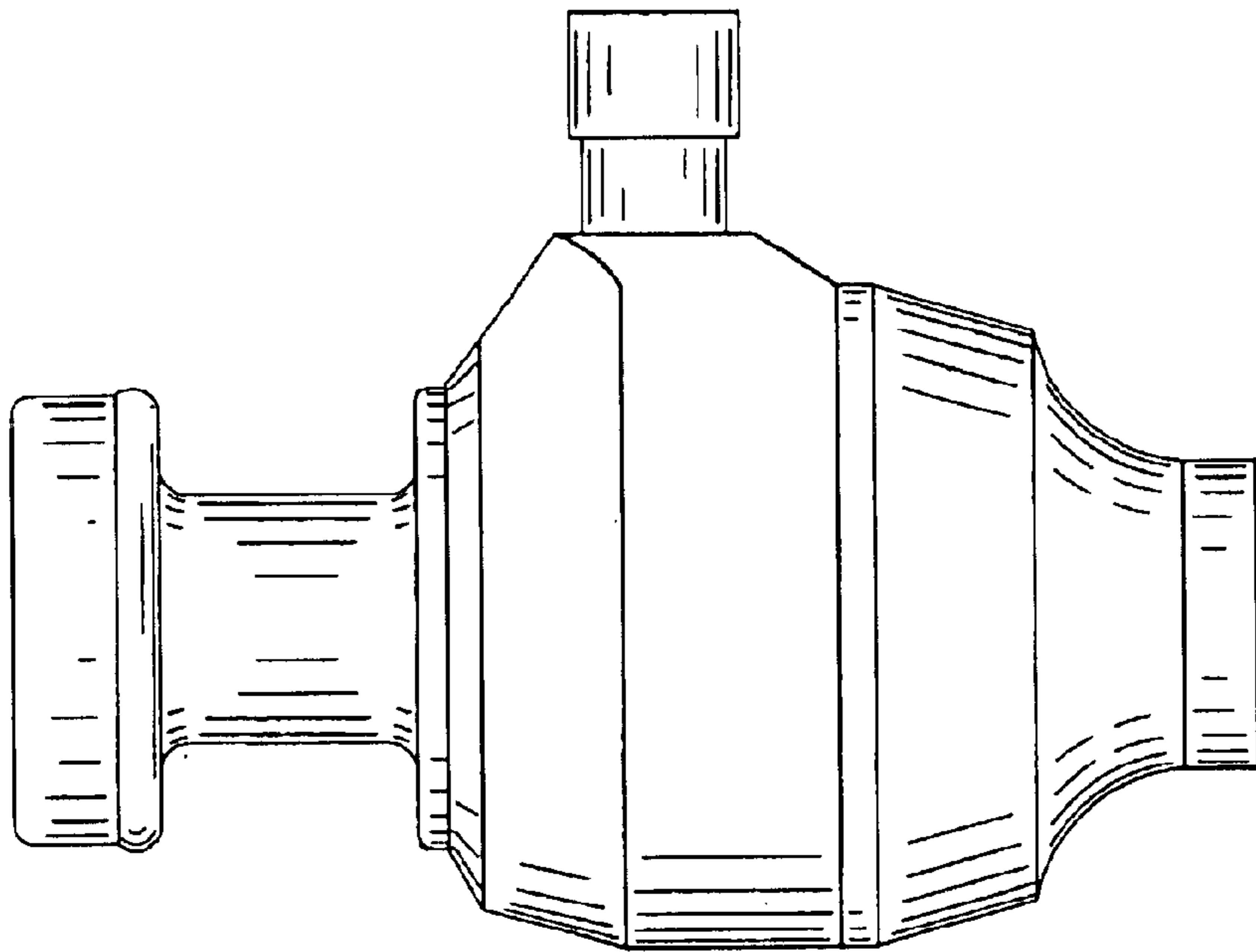


Fig. 1

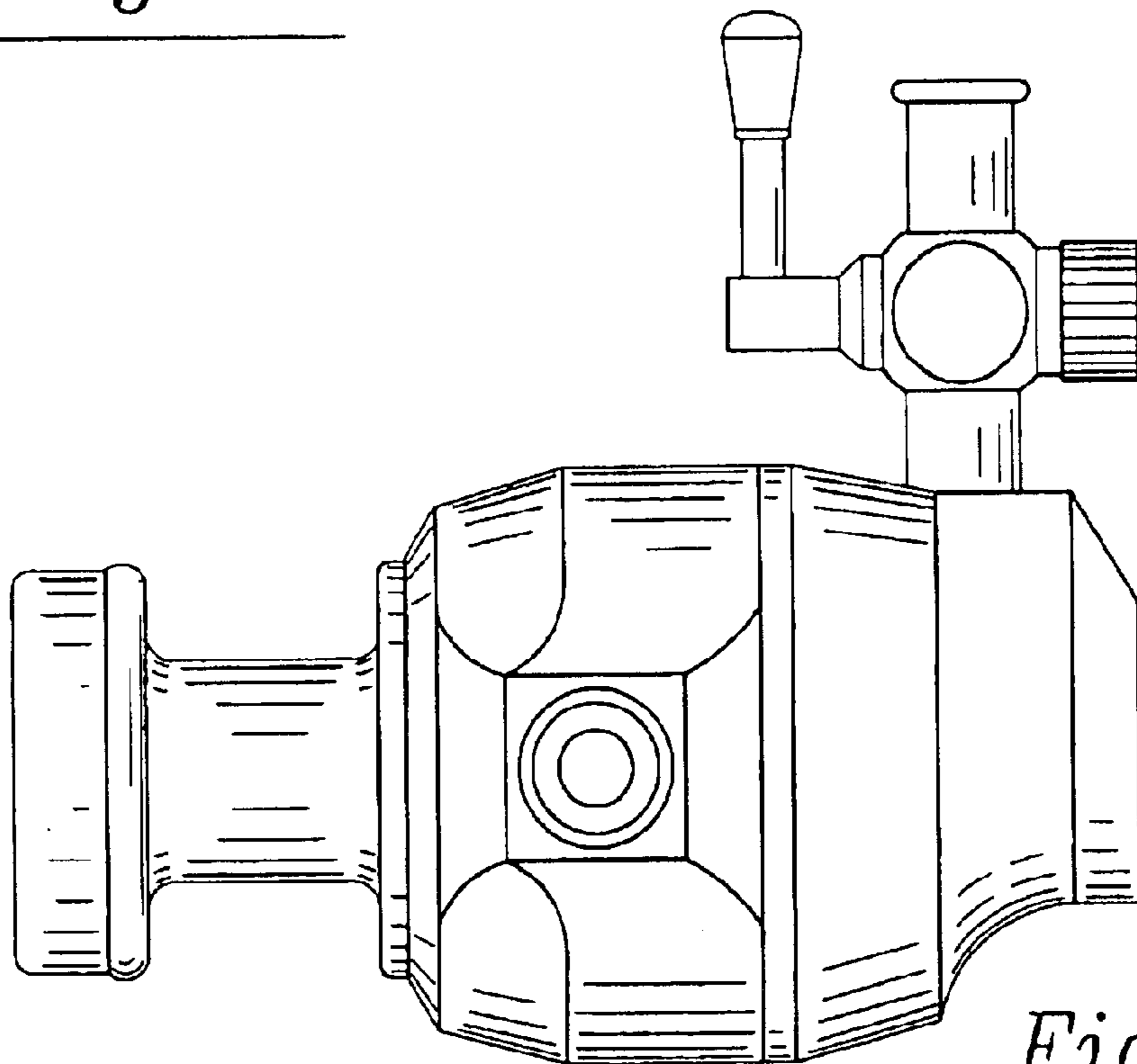


Fig. 2

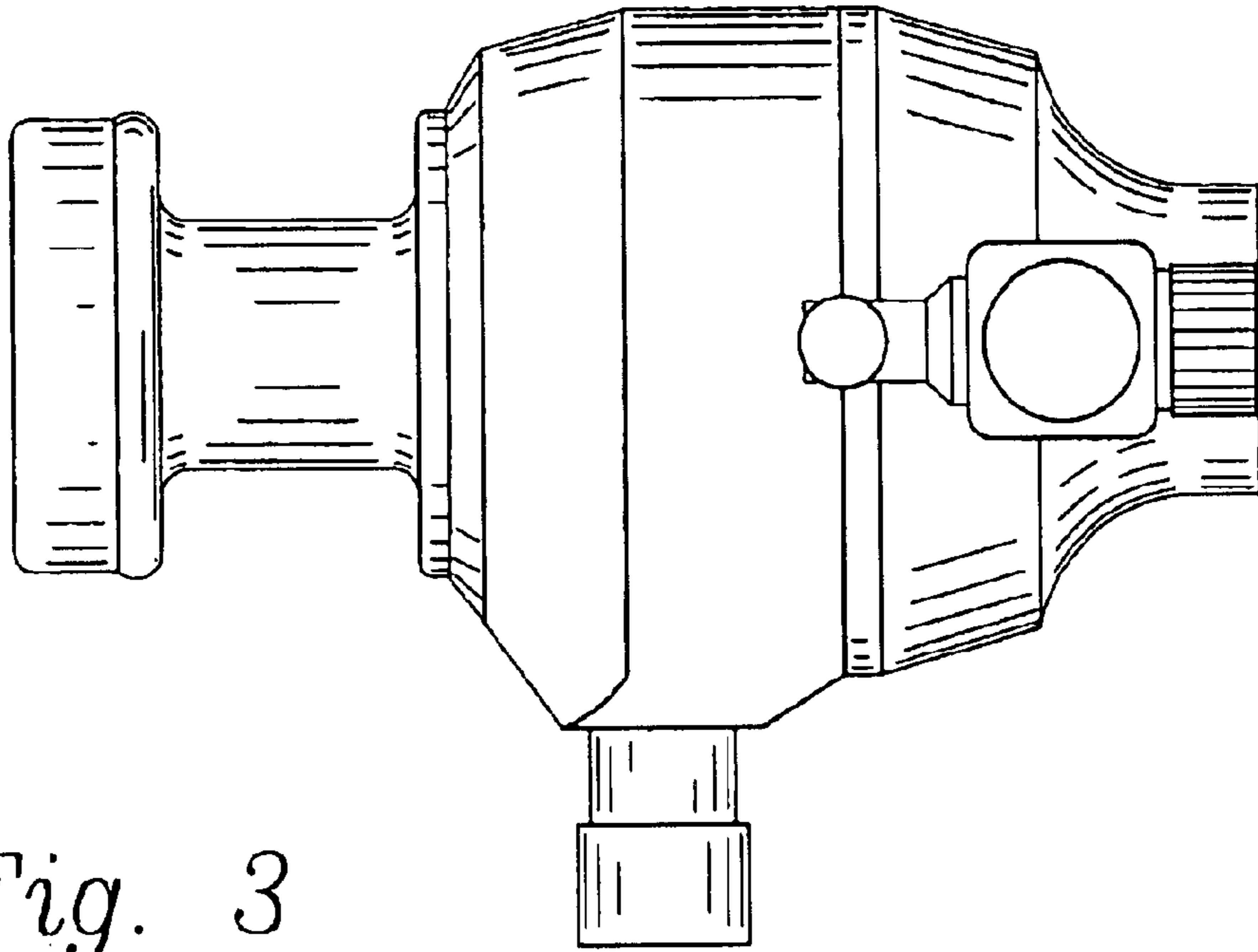


Fig. 3

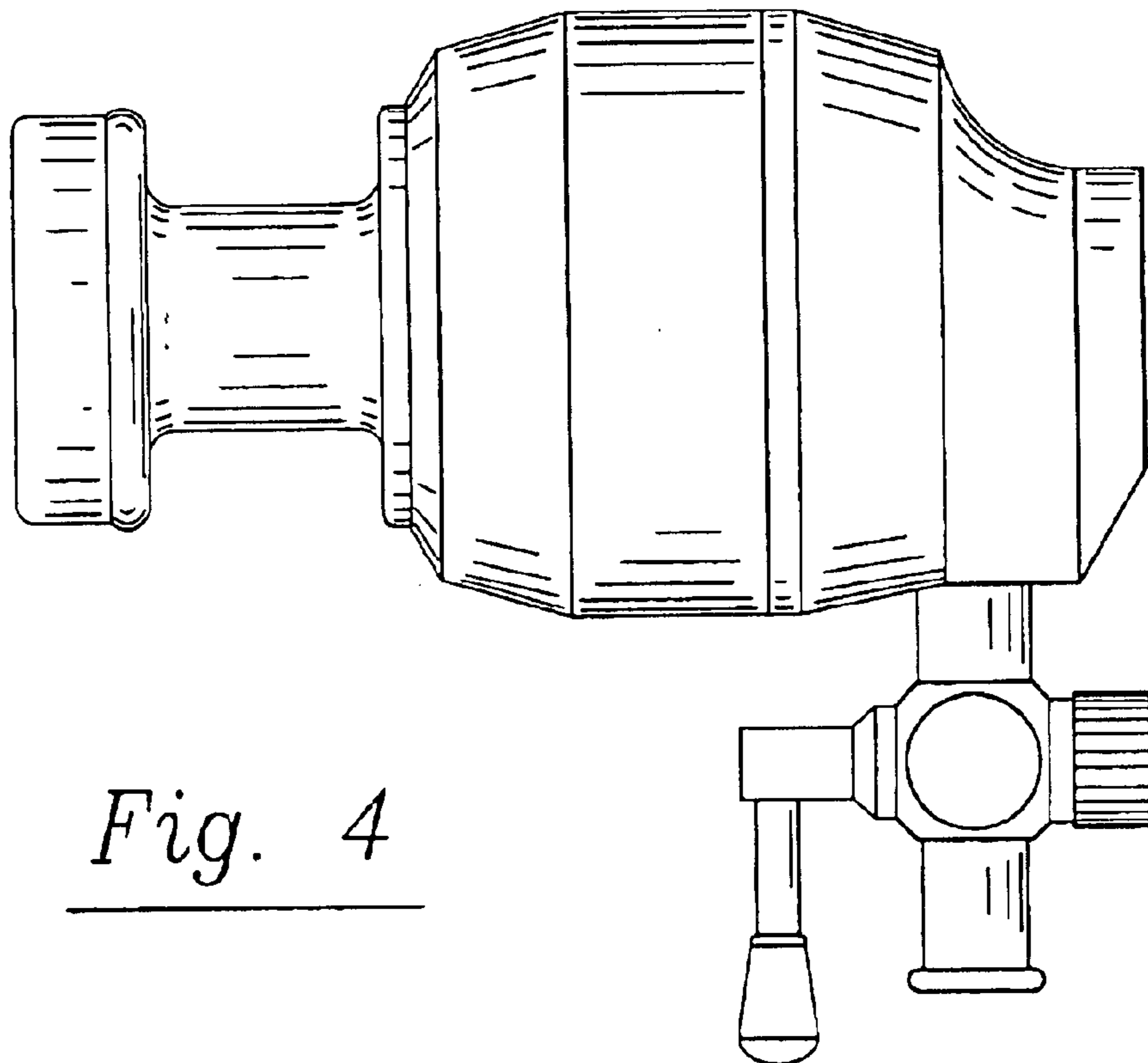


Fig. 4

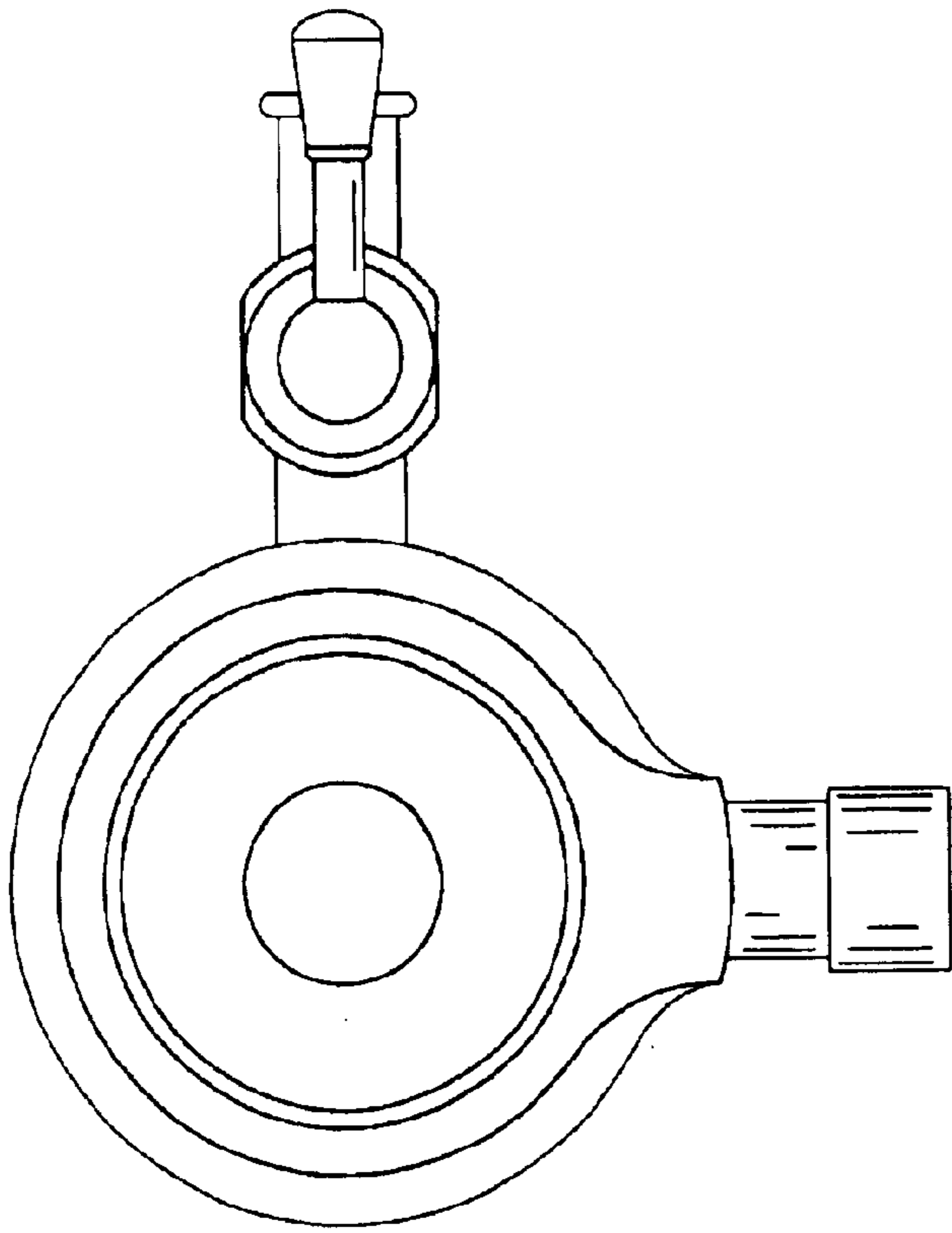


Fig. 5

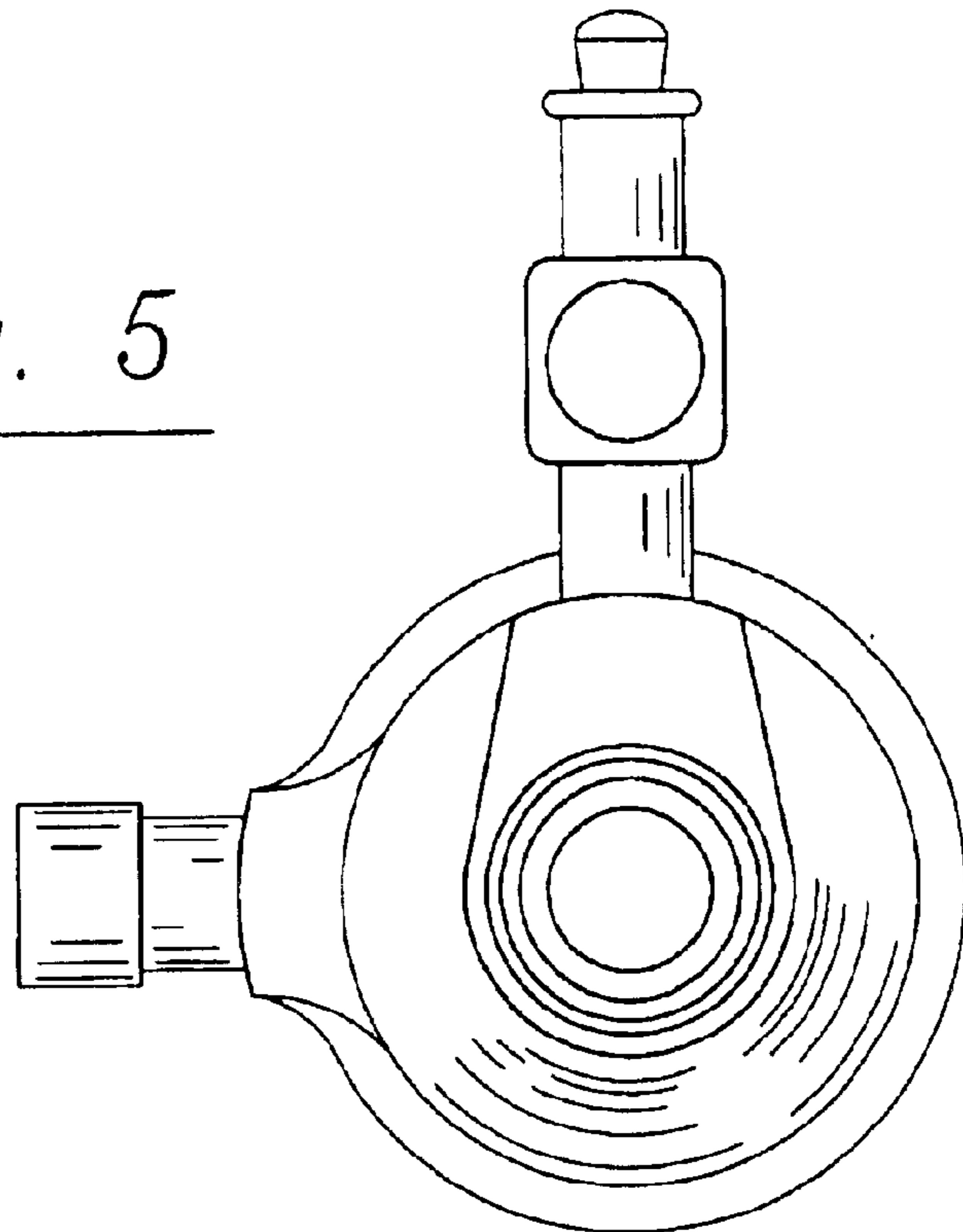


Fig. 6