



US00D496726S1

(12) **United States Design Patent** (10) **Patent No.:** **US D496,726 S**  
**Amarasinghe et al.** (45) **Date of Patent:** **\*\* Sep. 28, 2004**

(54) **FRONT FACE OF HEADGEAR FOR RESPIRATORY MASK**

(75) Inventors: **Amal S. Amarasinghe**, West Pennant Hills (AU); **Perry D. Lithgow**, Glenwood (AU); **Memduh Guney**, Killara (AU)

(73) Assignee: **ResMed Limited**, North Ryde (AU)

(\*\*) Term: **14 Years**

(21) Appl. No.: **29/170,553**

(22) Filed: **Nov. 8, 2002**

(51) **LOC (7) Cl.** ..... **29-02**

(52) **U.S. Cl.** ..... **D24/110.1; D24/110**

(58) **Field of Search** ..... **D24/110.1; D16/335; 128/207.17, 207.11, 201.19, 205.25; 2/173**

(56) **References Cited**

**U.S. PATENT DOCUMENTS**

- 3,457,564 A \* 7/1969 Holloway ..... 128/207.11
- D335,367 S \* 5/1993 Mieskoski ..... D16/339
- 5,542,128 A \* 8/1996 Lomas ..... 128/207.17

- D383,204 S \* 9/1997 Lomas ..... D24/110
- 6,119,693 A \* 9/2000 Kwok et al. .... 128/207.11
- D440,652 S \* 4/2001 Pollard ..... D24/110.1
- 6,422,238 B1 7/2002 Lithgow
- 2002/0174868 A1 \* 11/2002 Kwok et al. .... 128/205.25
- 2003/0051732 A1 \* 3/2003 Smith et al. .... 128/207.17

**FOREIGN PATENT DOCUMENTS**

- DE 19947722 4/2001
- JP 10-314307 12/1998
- WO WO 02/47749 6/2002

\* cited by examiner

*Primary Examiner*—Ian Simmons

(74) *Attorney, Agent, or Firm*—Nixon & Vanderhye P.C.

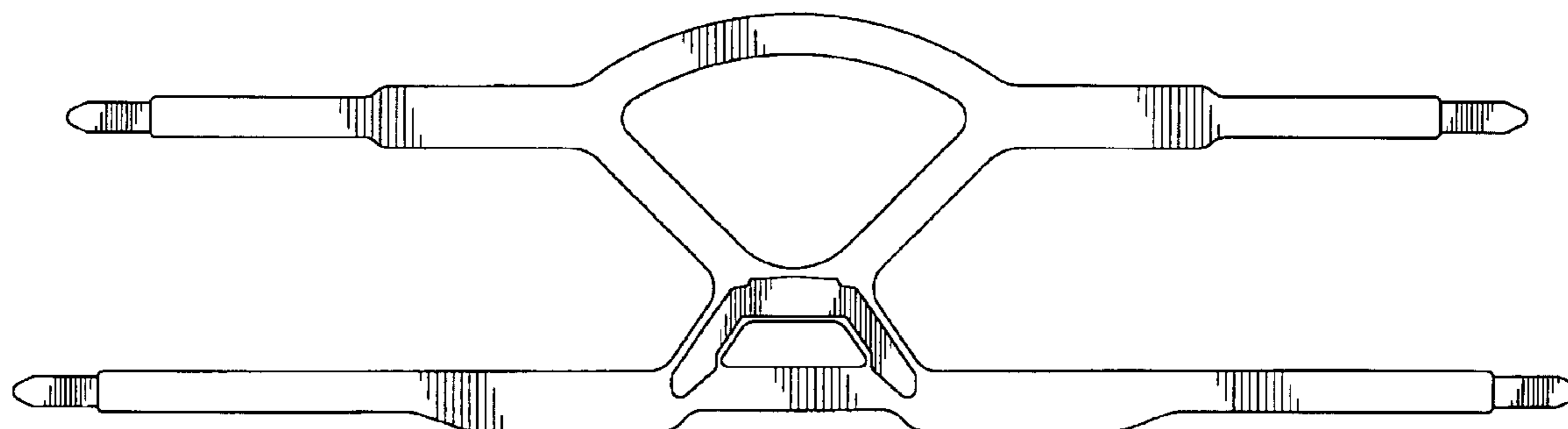
(57) **CLAIM**

The ornamental design for a front face of headgear for respiratory mask, as shown and described.

**DESCRIPTION**

FIG. 1 is a front view of the front face of headgear for respiratory mask showing our new design. The undisclosed side being plain flat and unornamented.

**1 Claim, 1 Drawing Sheet**



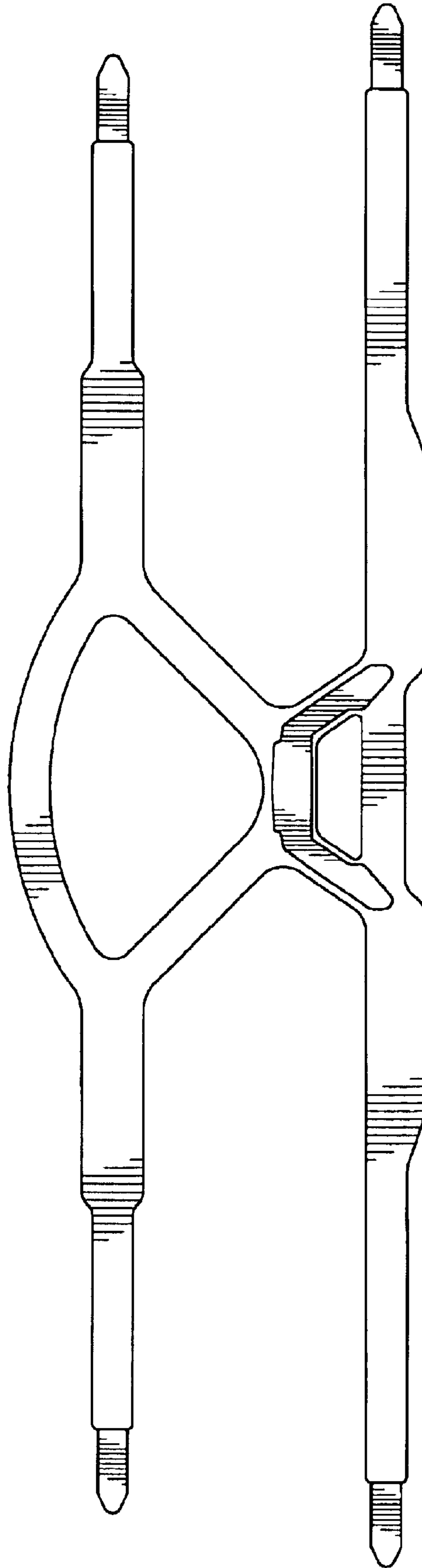


FIG. 1