

US00D496721S1

(12) **United States Design Patent**
Horng et al.

(10) **Patent No.:** **US D496,721 S**
(45) **Date of Patent:** **** Sep. 28, 2004**

(54) **FAN CASING**

(75) Inventors: **Alex Horng**, Kaohsiung (TW);
Tso-Kuo Yin, Kaohsiung Hsien (TW)

(73) Assignee: **Sunonwealth Electric Machine Industry Co., Ltd.**, Kaohsiung (TW)

(**) Term: **14 Years**

(21) Appl. No.: **29/174,906**

(22) Filed: **Jan. 28, 2003**

(30) **Foreign Application Priority Data**

Oct. 16, 2002 (TW) 91305975

(51) **LOC (7) Cl.** **23-04**

(52) **U.S. Cl.** **D23/411**

(58) **Field of Search** D23/411, 370,
D23/379; 165/122, 80.3; 361/695, 697;
454/184

(56) **References Cited**

U.S. PATENT DOCUMENTS

D461,238 S * 8/2002 Horng D23/411

D480,468 S * 10/2003 Hoshina et al. D23/411
D483,109 S * 12/2003 Chang et al. D23/411
D486,906 S * 2/2004 Xiao et al. D23/411

* cited by examiner

Primary Examiner—Lisa Lichtenstein

(74) *Attorney, Agent, or Firm*—Bacon & Thomas, PLLC

(57) **CLAIM**

The ornamental design for a fan casing, as shown.

DESCRIPTION

FIG. 1 is a perspective view of the fan casing in accordance with the embodiment of the claimed design;

FIG. 2 is a right side elevational view thereof;

FIG. 3 is a top plan view thereof;

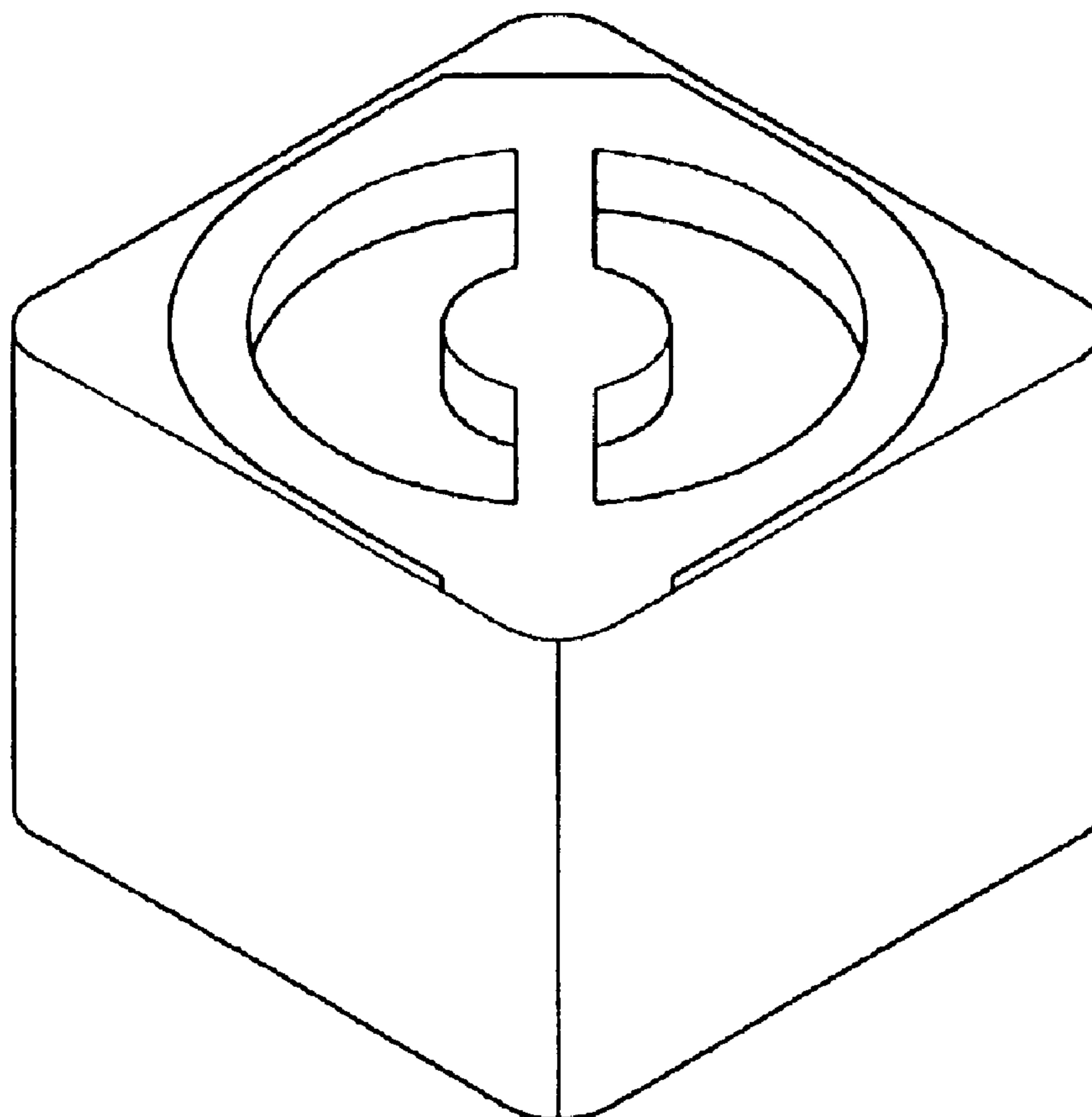
FIG. 4 is a front elevational view thereof;

FIG. 5 is a bottom plan view thereof;

FIG. 6 is a left side elevational view thereof; and,

FIG. 7 is a rear elevational view thereof.

1 Claim, 4 Drawing Sheets



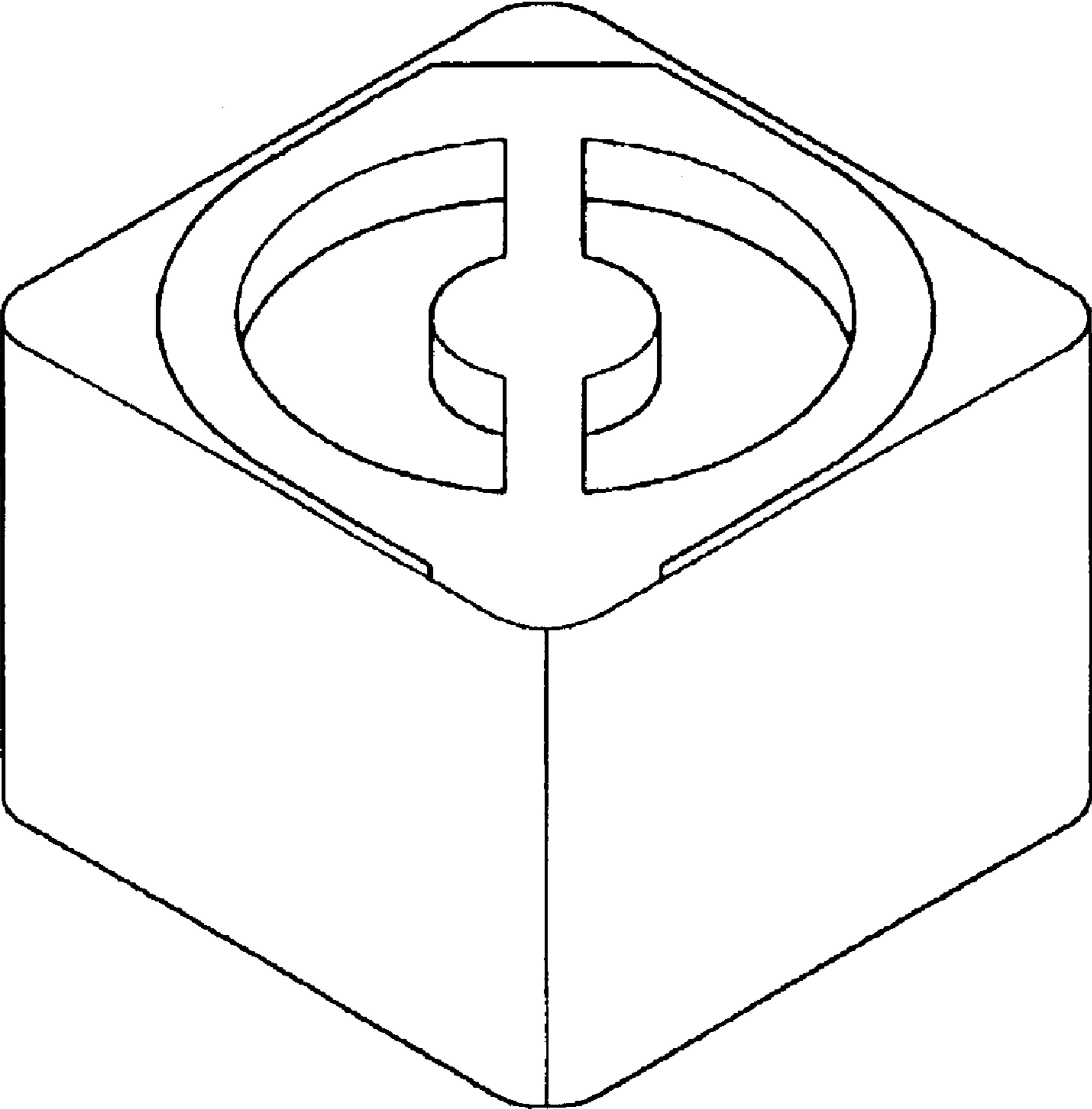


FIG. 1

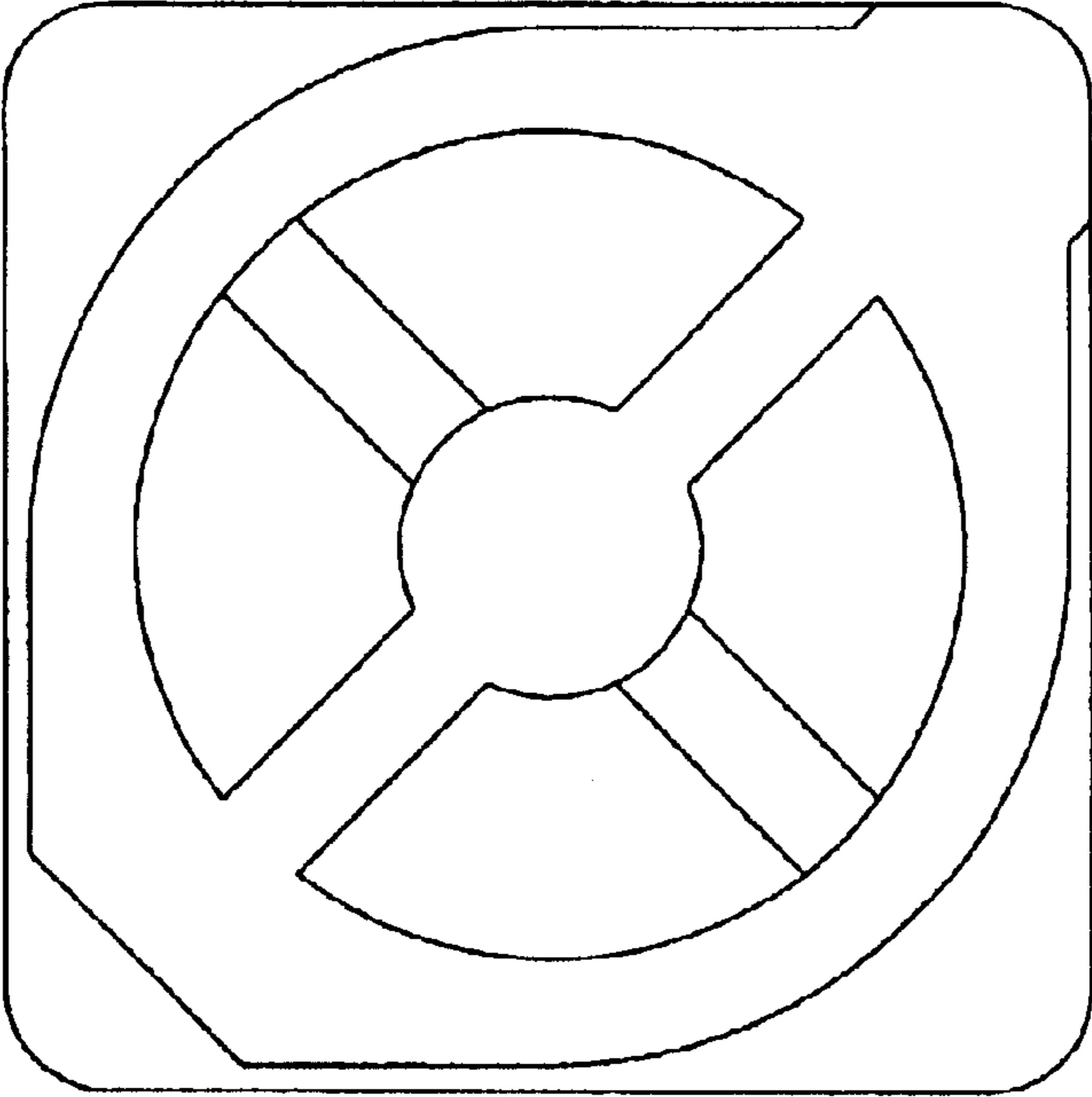


FIG. 3

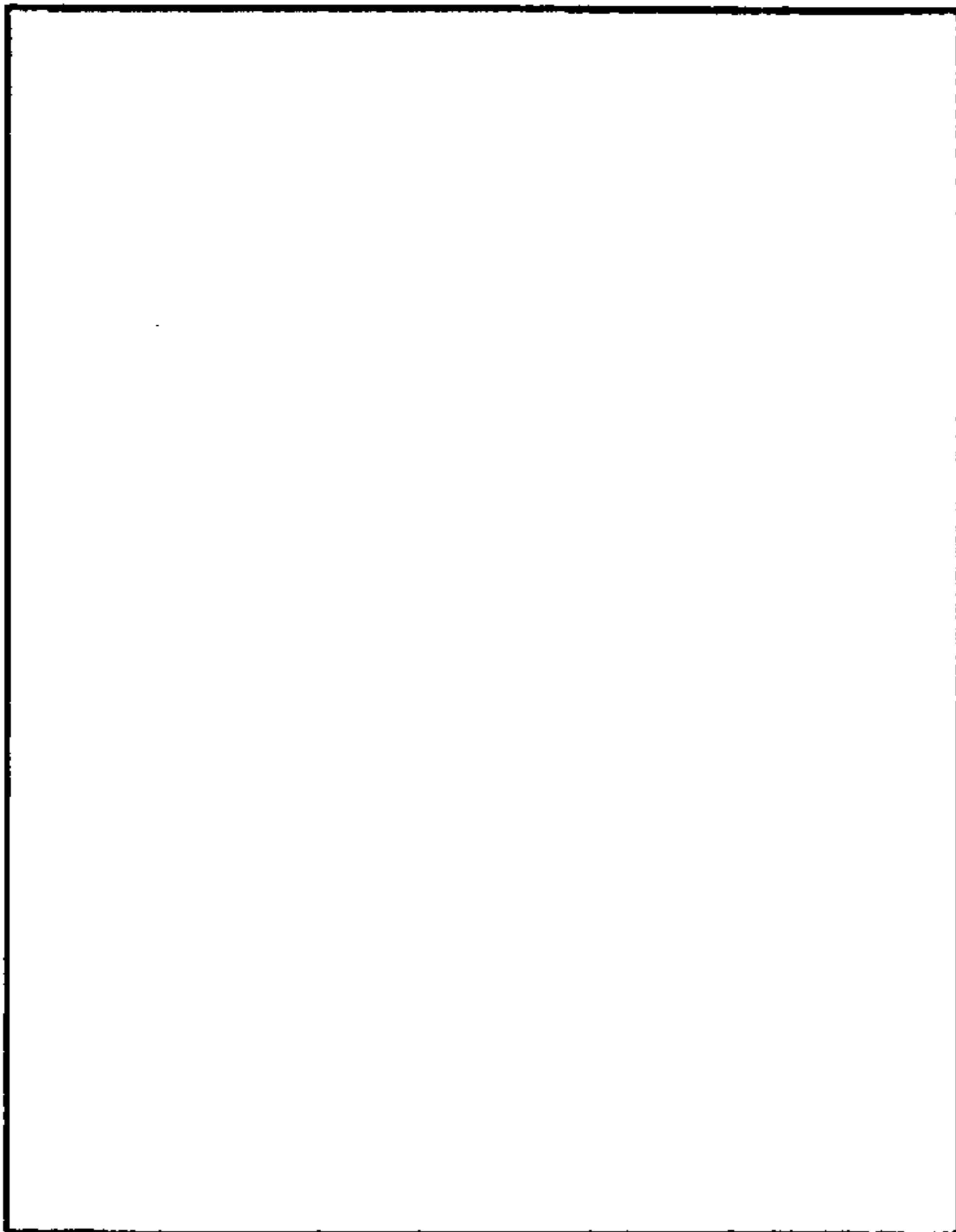


FIG. 2

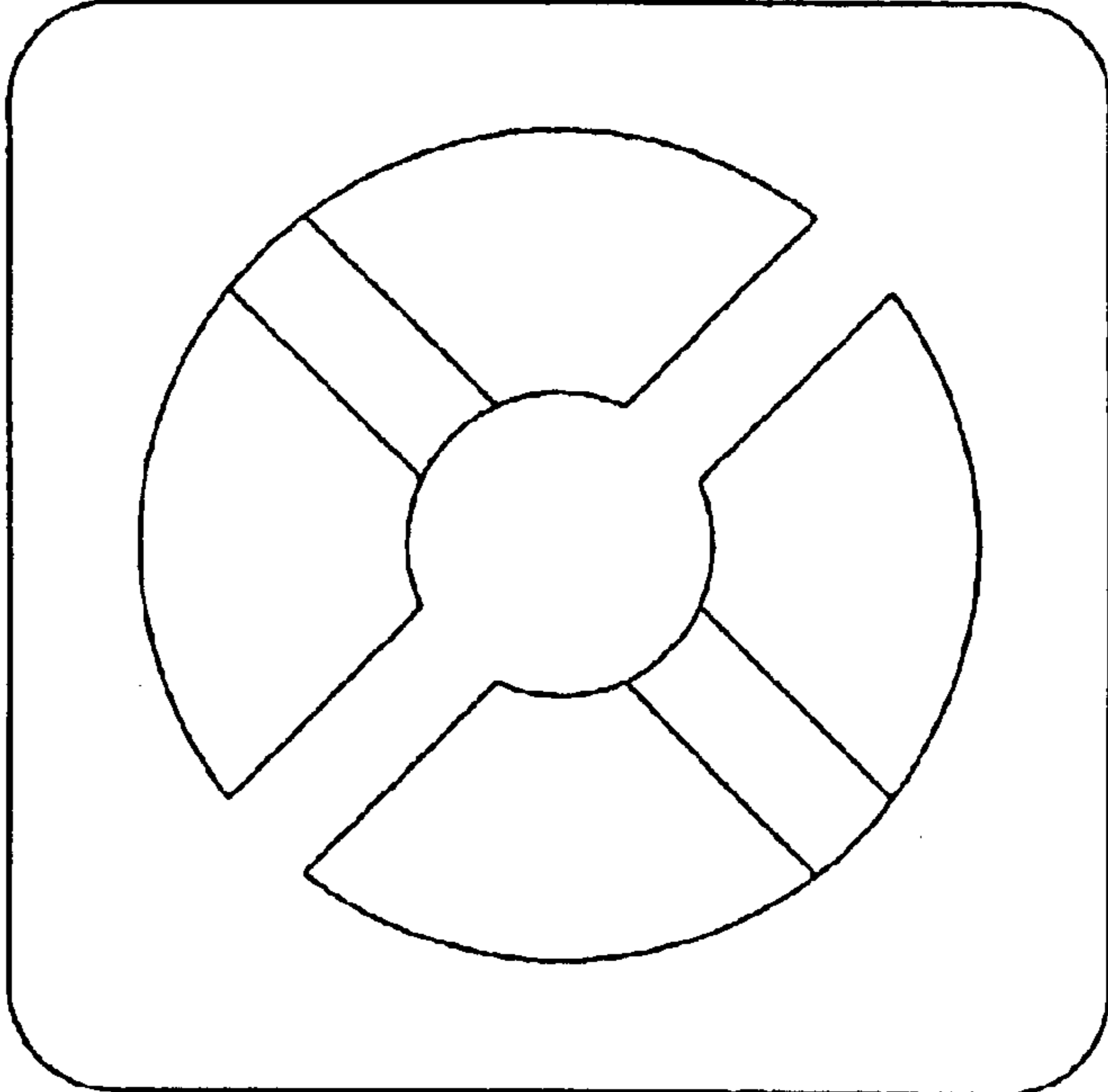


FIG. 4

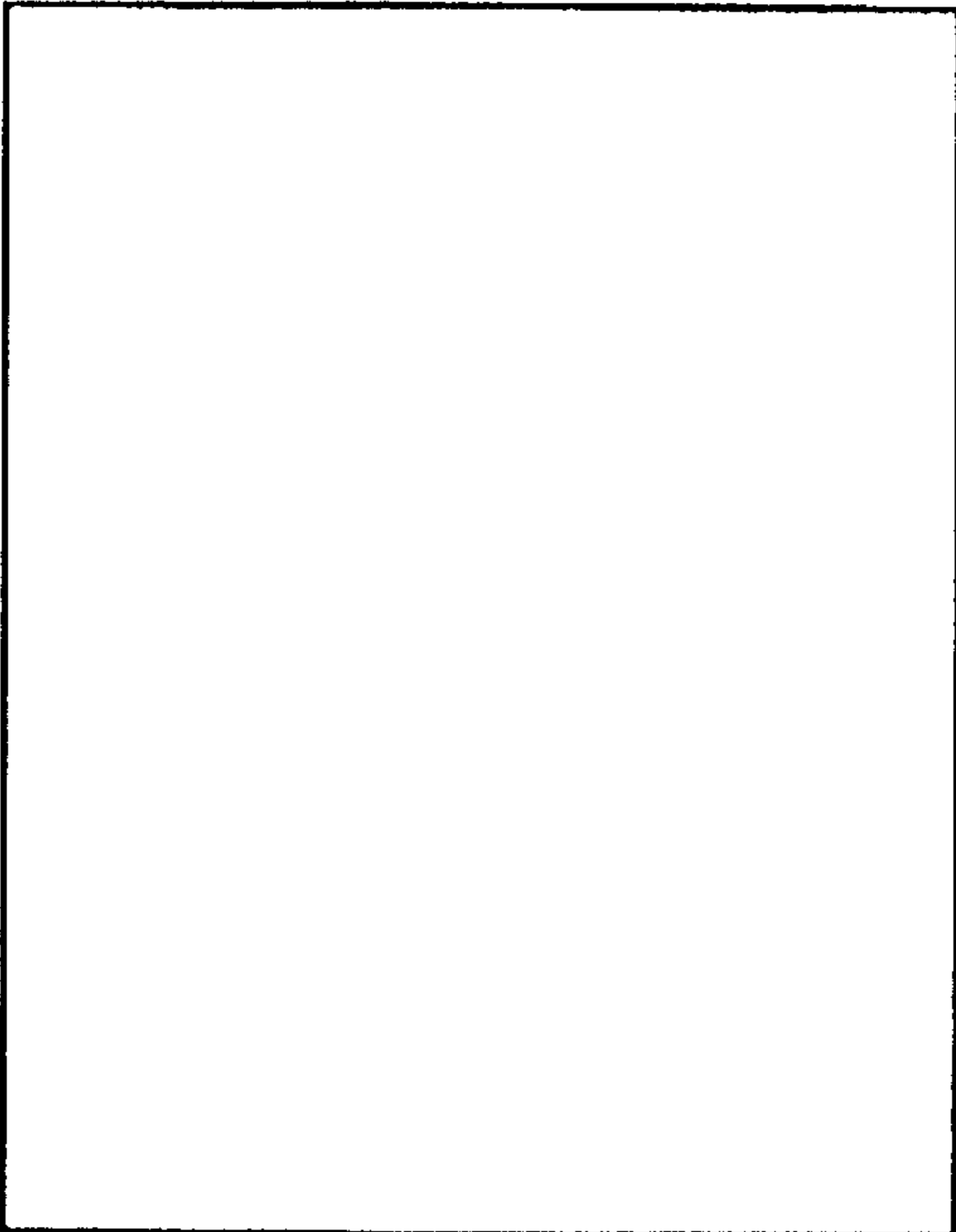


FIG. 5

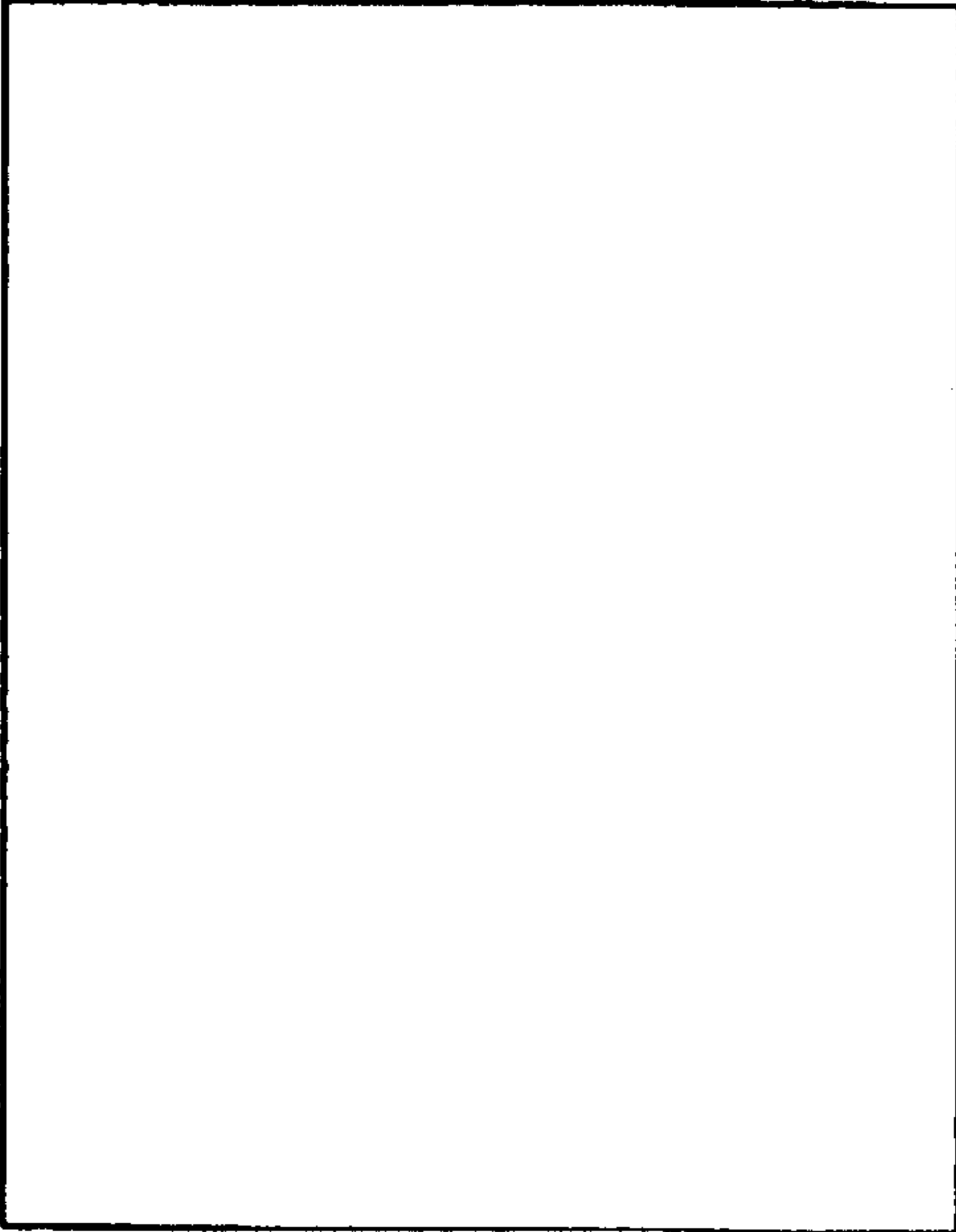


FIG. 7

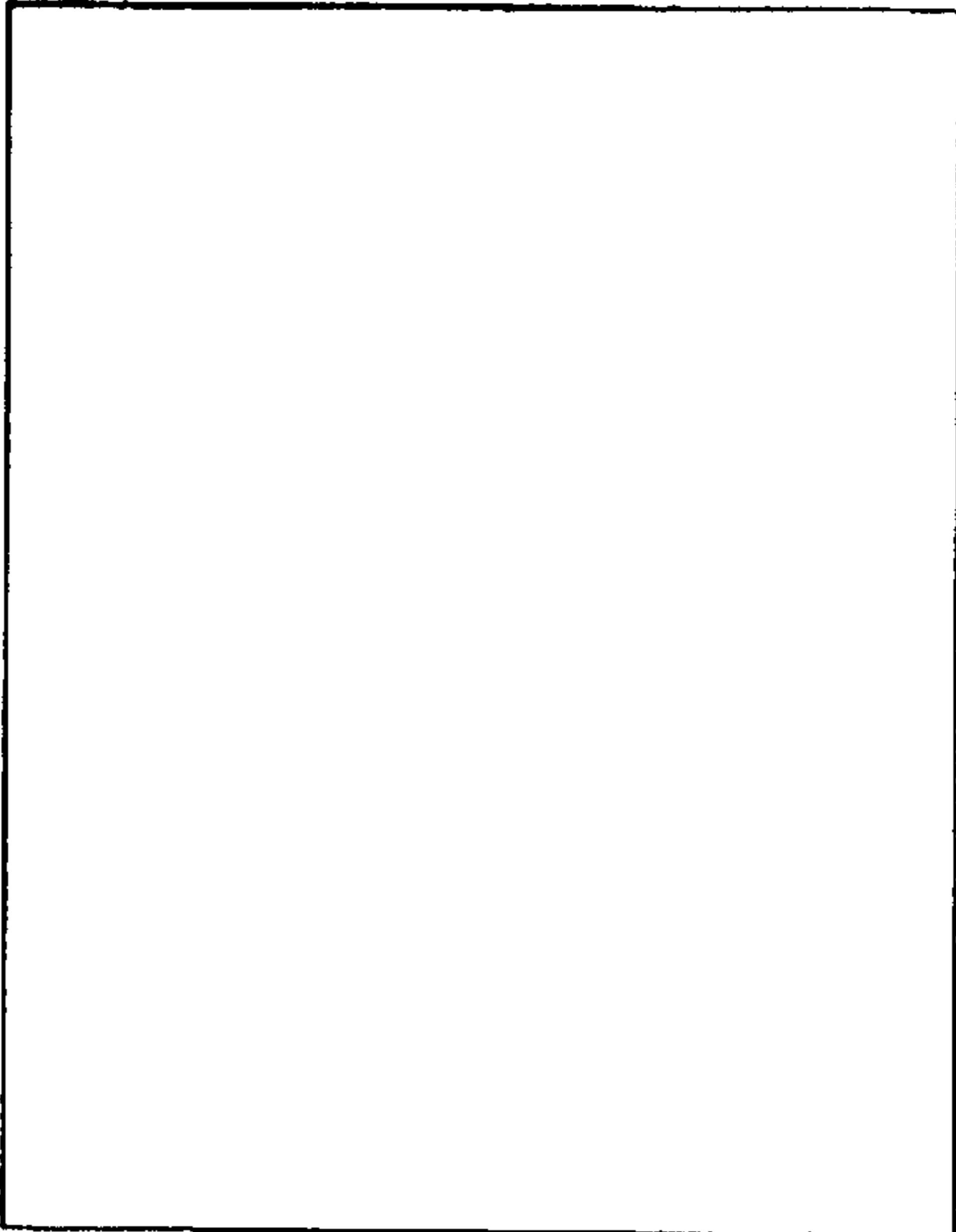


FIG. 6