

US00D496718S1

(12) **United States Design Patent**
Kopf

(10) **Patent No.:** **US D496,718 S**
(45) **Date of Patent:** **** Sep. 28, 2004**

(54) **COOLING DEVICE**

(75) **Inventor:** **Robert Kopf, Nussdorf Debant (AT)**

(73) **Assignee:** **Liebherr-Werk Lienz GmbH, Lienz (AT)**

(**) **Term:** **14 Years**

(21) **Appl. No.:** **29/186,205**

(22) **Filed:** **Jul. 14, 2003**

(30) **Foreign Application Priority Data**

Jan. 15, 2003 (DE) 4 03 00 382

(51) **LOC (7) Cl.** **23-04**

(52) **U.S. Cl.** **D23/333**

(58) **Field of Search** D23/332-333,
D23/351, 355, 359; D15/83-84; 62/262,
257.4, 259.1, 260, 263, 257.9, 324.1; 312/236,
101, 100

(56) **References Cited**

U.S. PATENT DOCUMENTS

D319,306 S * 8/1991 Yamazaki et al. D23/351

D416,993 S * 11/1999 Dong et al. D23/333
D423,656 S * 4/2000 De'Longhi D23/333
D439,913 S * 4/2001 Jobst D15/84
D448,070 S * 9/2001 De' Longhi D23/333
D448,836 S * 10/2001 De' Longhi D23/333

* cited by examiner

Primary Examiner—Brian N Vinson

(74) *Attorney, Agent, or Firm*—Jacobson Holman PLLC

(57) **CLAIM**

The ornamental design for a cooling device, as shown and described.

DESCRIPTION

FIG. 1 is a front perspective view showing my new design for a cooling device,
FIG. 2 is a left side view thereof;
FIG. 3 is a front view thereof;
FIG. 4 is a right side view thereof;
FIG. 5 is a top view thereof; and,
FIG. 6 is a rear view thereof.

1 Claim, 6 Drawing Sheets

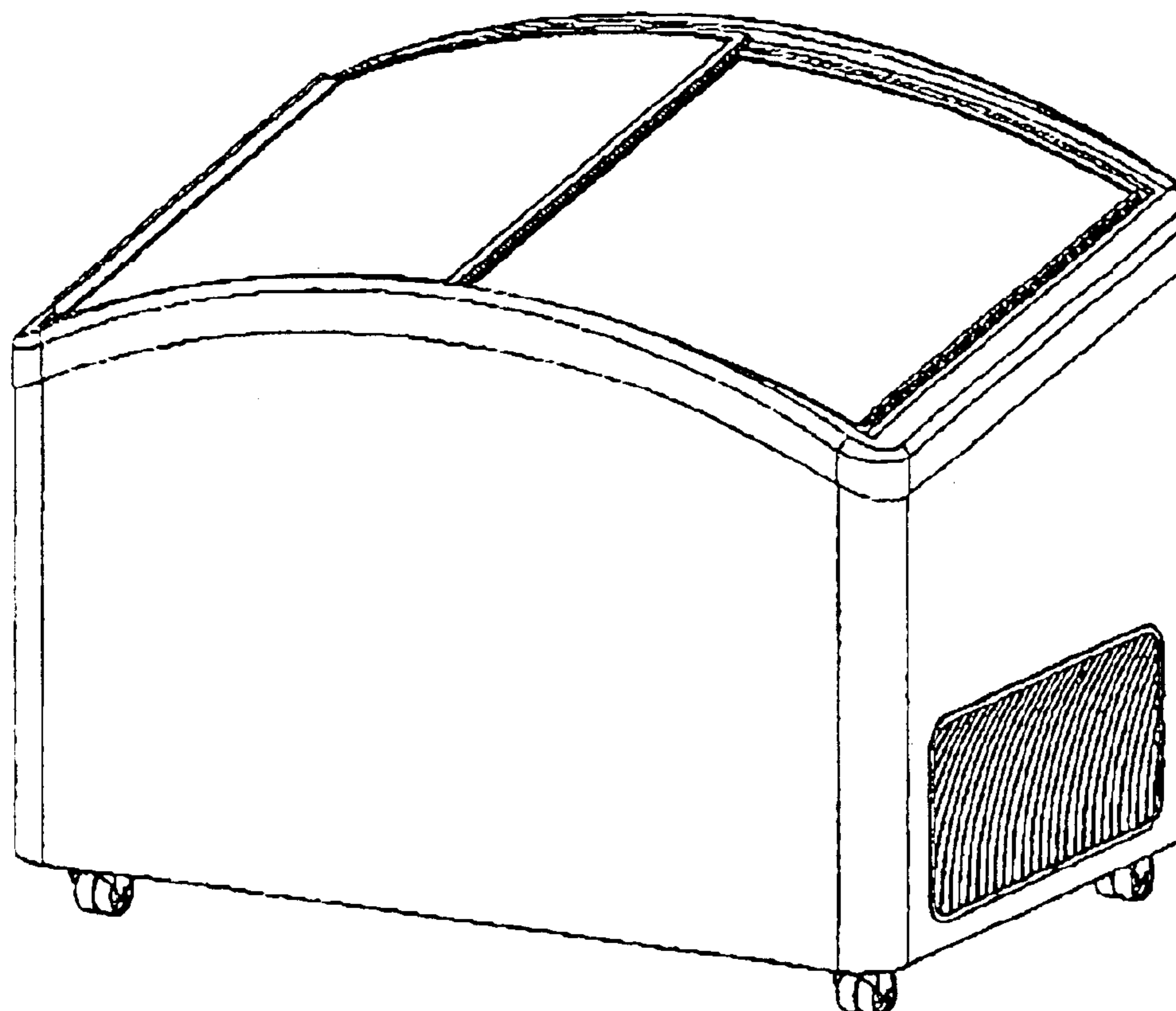


FIG. 1

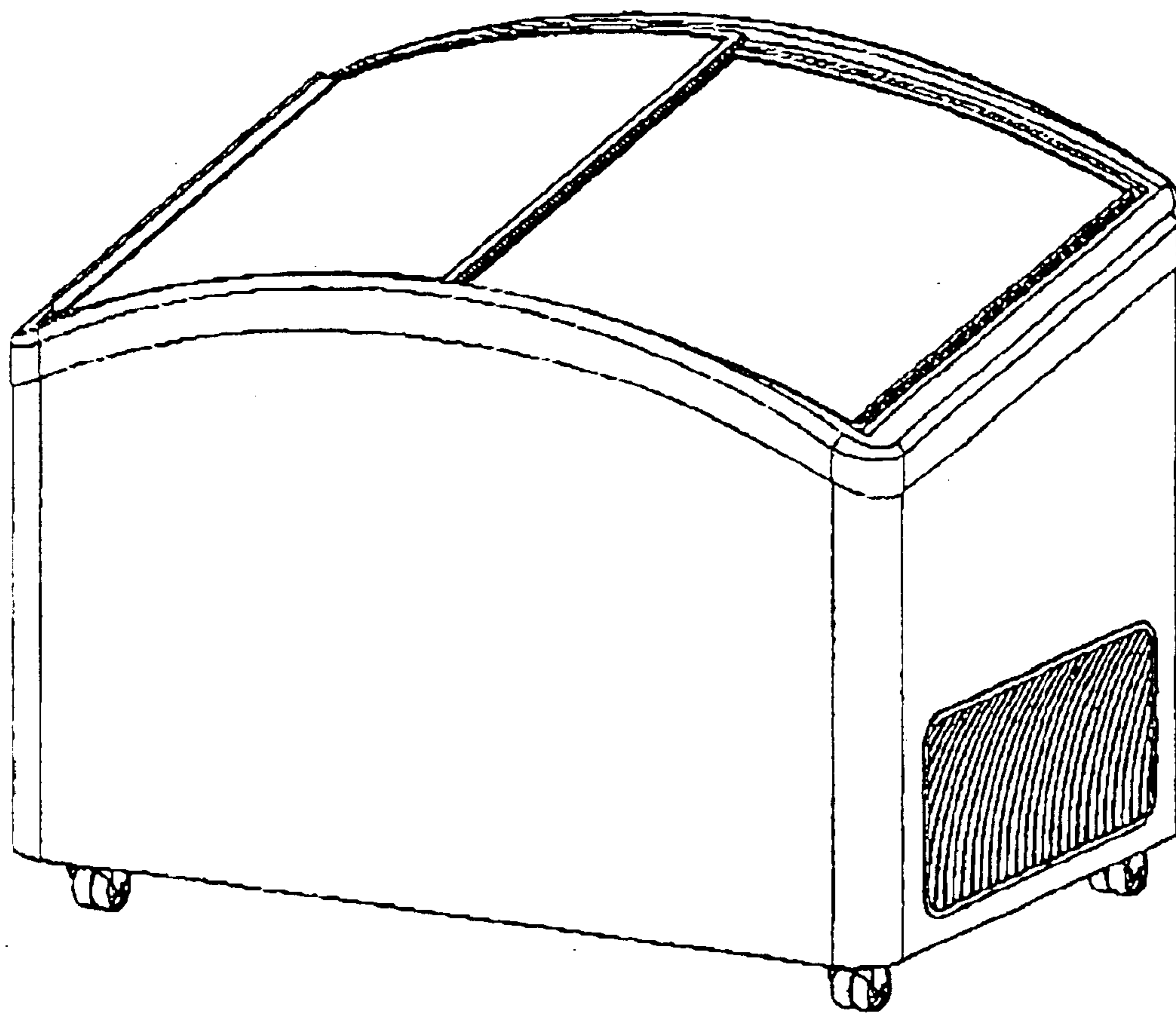


FIG. 2

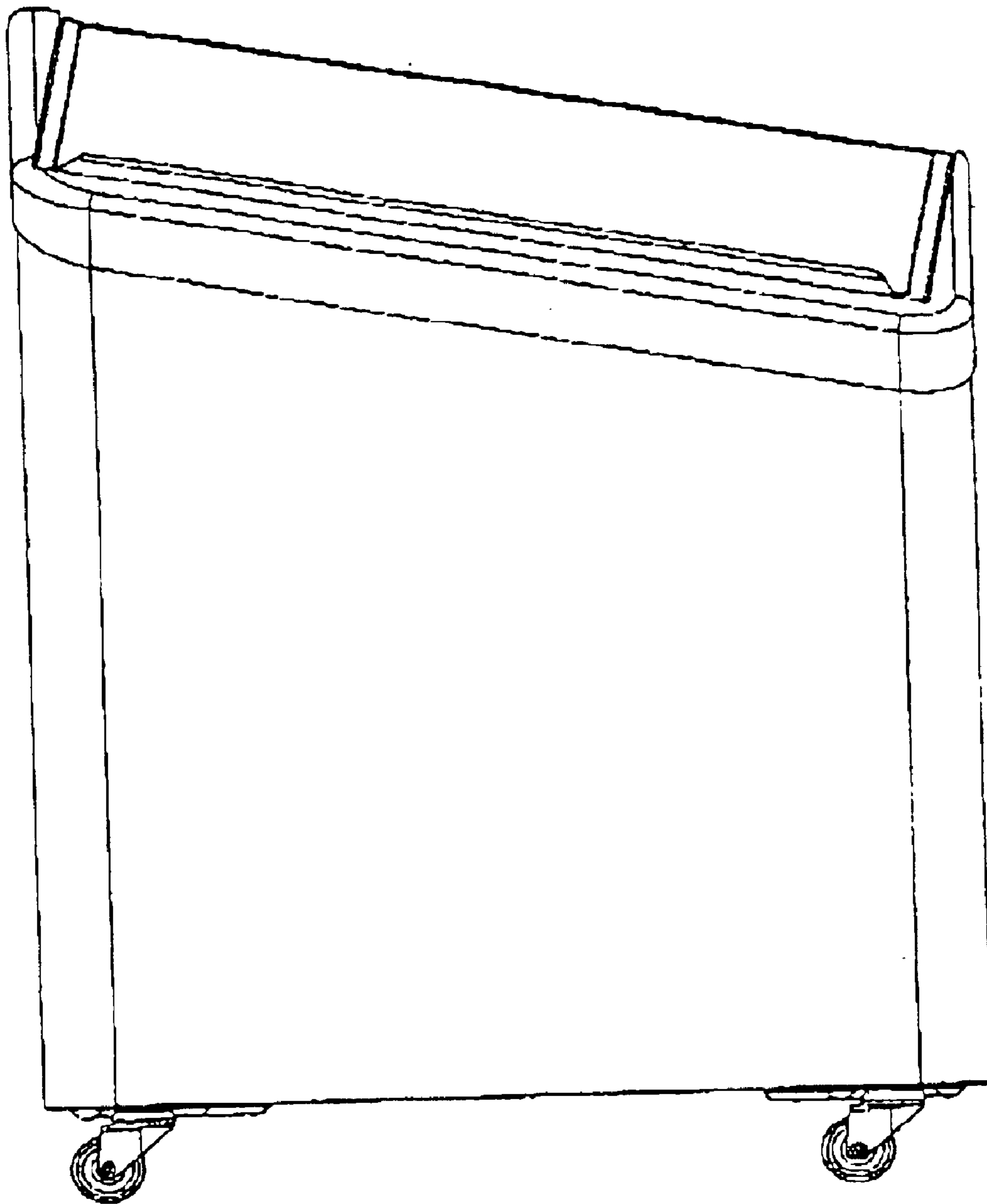


FIG. 3

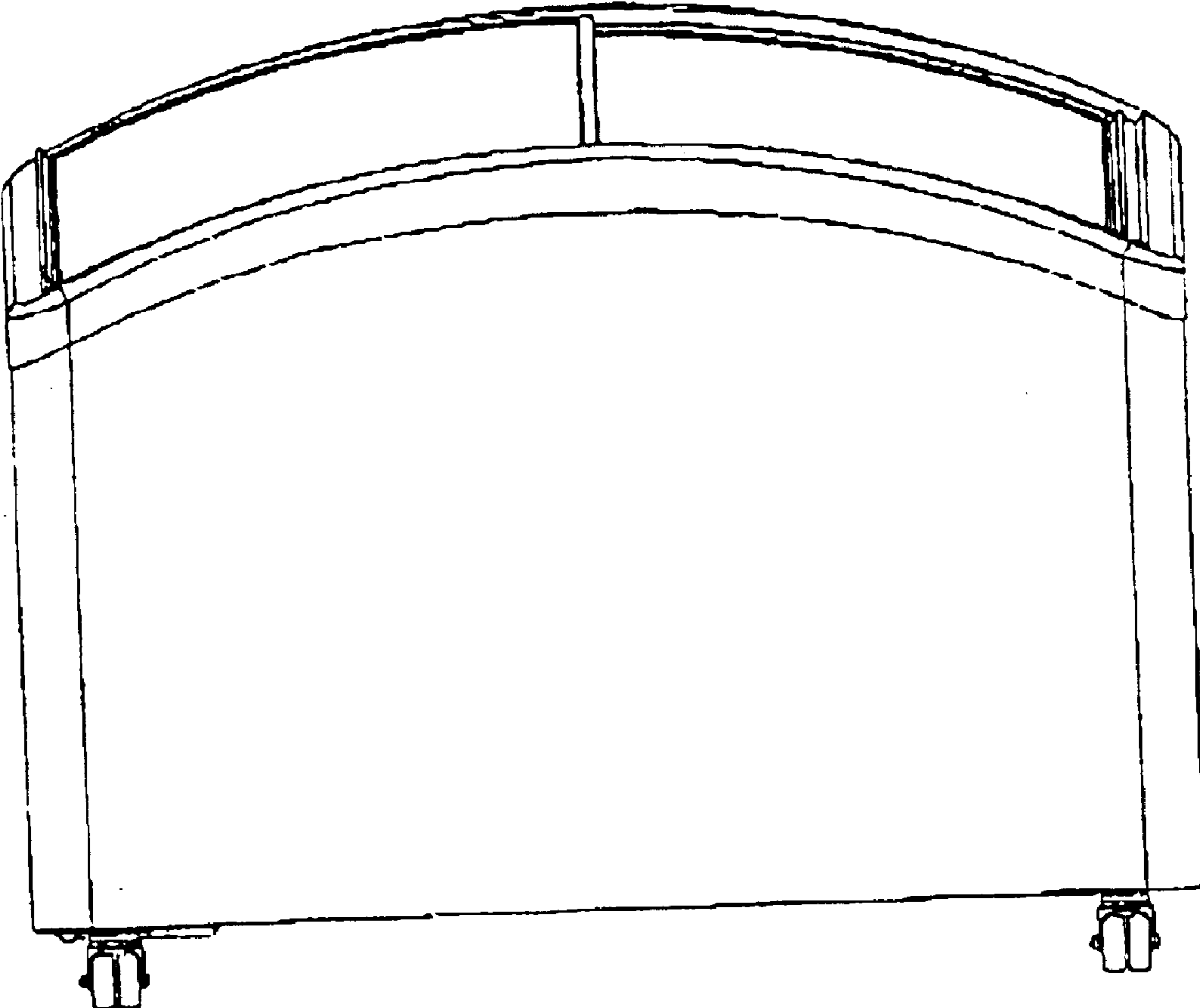


FIG. 4

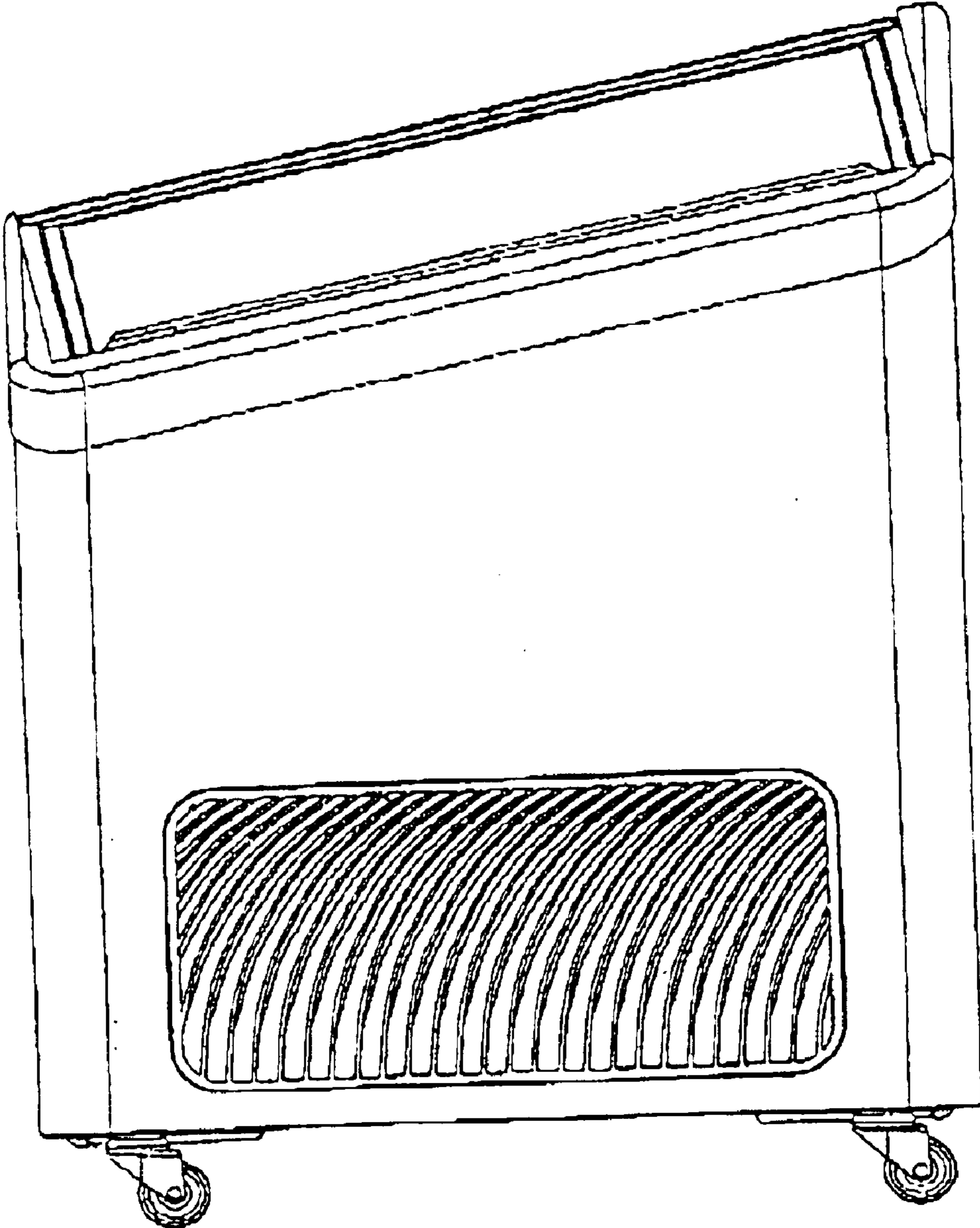


FIG. 5

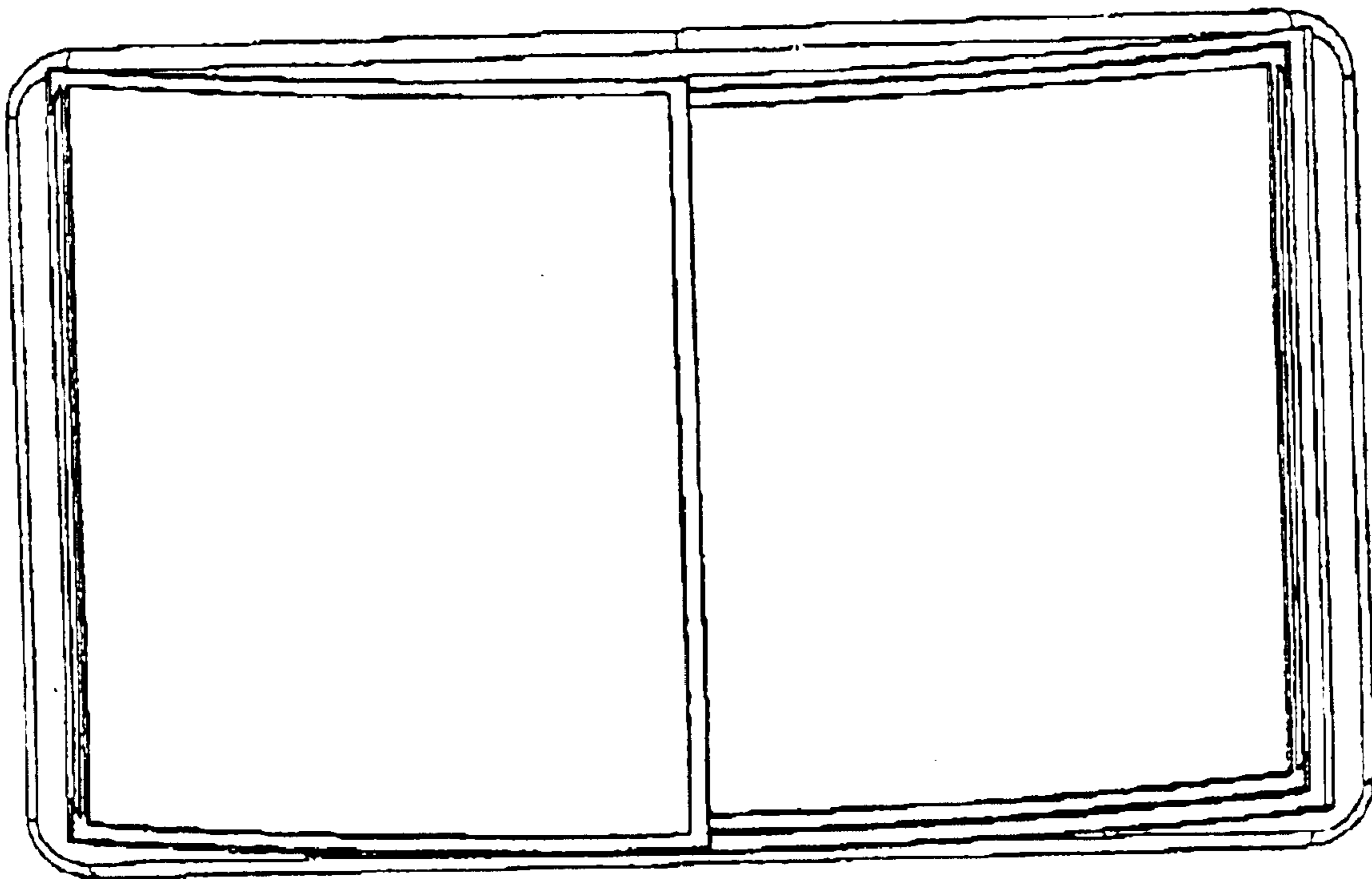


FIG. 6

