

US00D496717S1

(12) **United States Design Patent**
Svendsen et al.

(10) **Patent No.:** **US D496,717 S**

(45) **Date of Patent:** **** Sep. 28, 2004**

(54) **FAUCET SPOUT**

(75) Inventors: **Sean W. Svendsen**, Columbus, OH (US); **Michael J. Painter**, Columbus, OH (US); **Christopher P. Marks**, Pickerington, OH (US); **Paul P. Kolada**, Bexley, OH (US)

(73) Assignee: **American Standard Inc.**, Piscataway, NJ (US)

(**) Term: **14 Years**

(21) Appl. No.: **29/157,805**

(22) Filed: **Mar. 25, 2002**

(51) **LOC (7) Cl.** **23-01**

(52) **U.S. Cl.** **D23/257; D23/255; D23/238**

(58) **Field of Search** **D23/238-243, D23/250-257; 4/675-678; 137/801**

(56) **References Cited**

U.S. PATENT DOCUMENTS

D83,924 S * 4/1931 Sakier D23/254

D87,829 S * 9/1932 Ferguson D23/257
D353,653 S * 12/1994 McKeone D23/255
D369,651 S * 5/1996 Saadi et al. D23/255
D417,262 S * 11/1999 Caplow D23/255

* cited by examiner

Primary Examiner—Louis S. Zarfaz

Assistant Examiner—Gregory Andoll

(57) **CLAIM**

The ornamental design for a “faucet spout,” as shown.

DESCRIPTION

FIG. 1 is a front perspective view of a preferred embodiment of a faucet spout showing our new design; FIG. 2 is a top view of the faucet spout of FIG. 1; FIG. 3 is a bottom view of the faucet spout of FIG. 1; FIG. 4 is a left side view of the faucet spout of FIG. 1; FIG. 5 is a right side view of the faucet spout of FIG. 1; FIG. 6 is a front view of the faucet spout of FIG. 1; and, FIG. 7 is a rear side view of the faucet spout of FIG. 1. The broken lines in FIG. 3 are for illustrative purposes only and form no part of the claimed design.

1 Claim, 4 Drawing Sheets

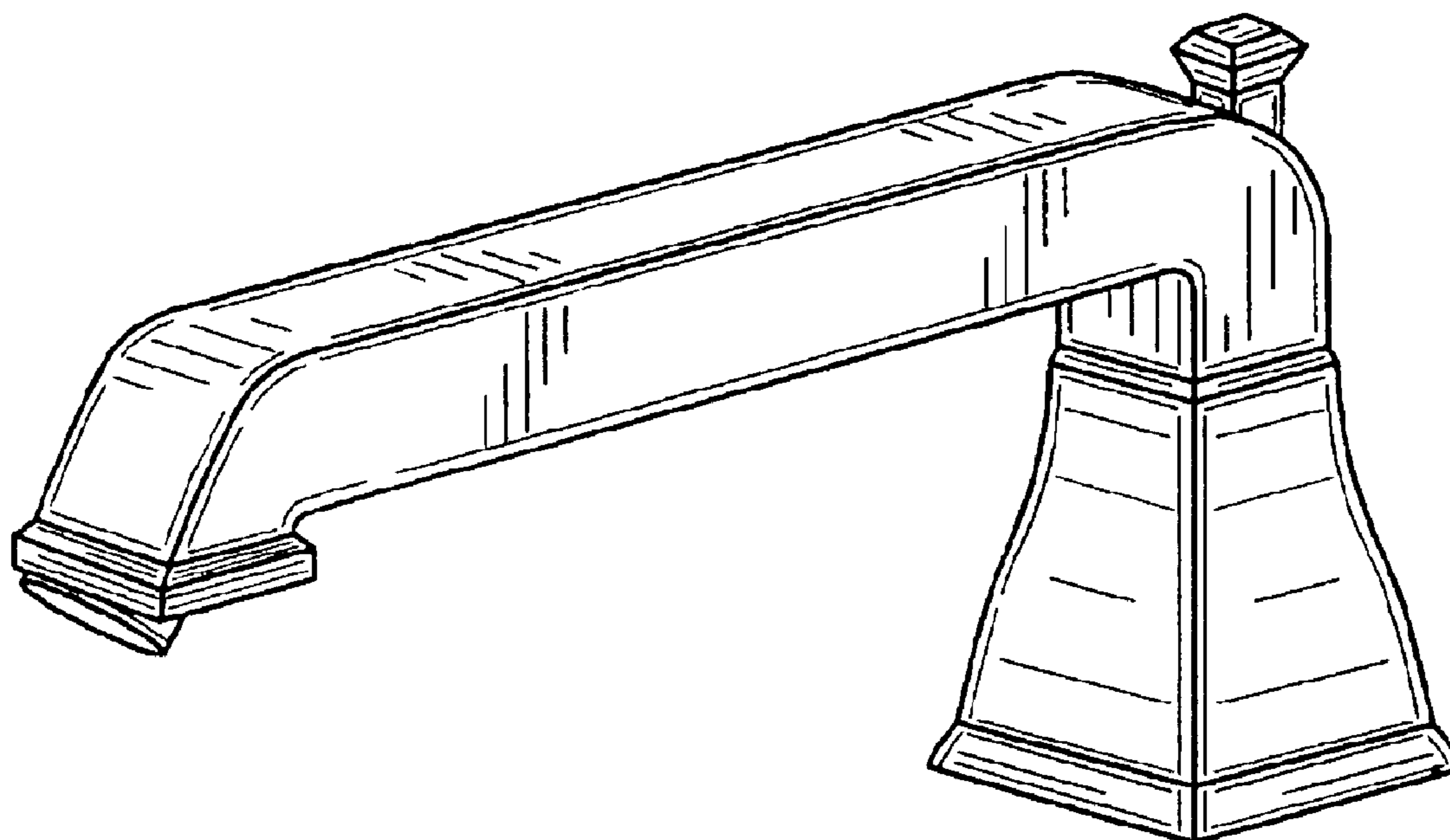


FIG. 1

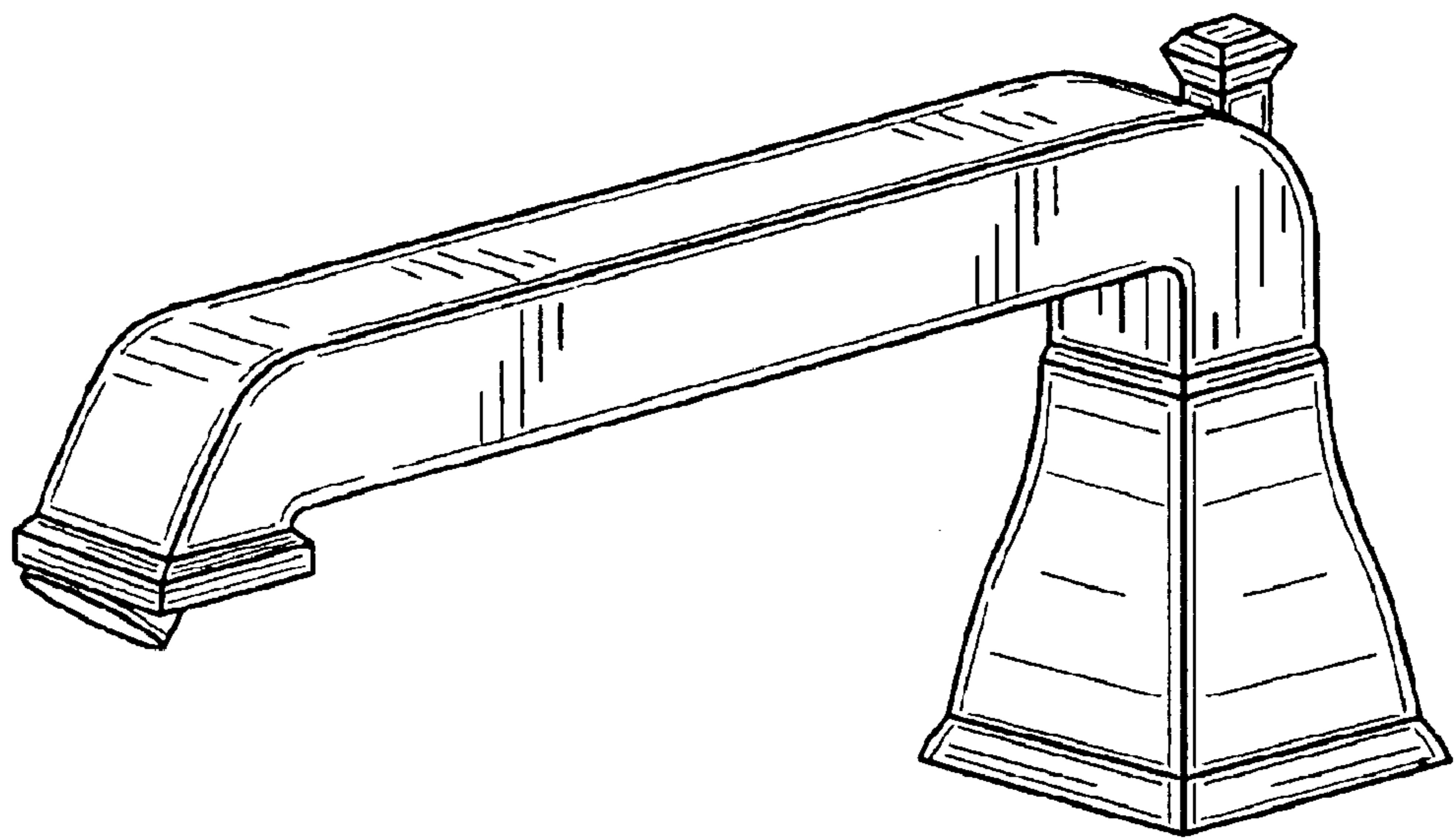


FIG. 2

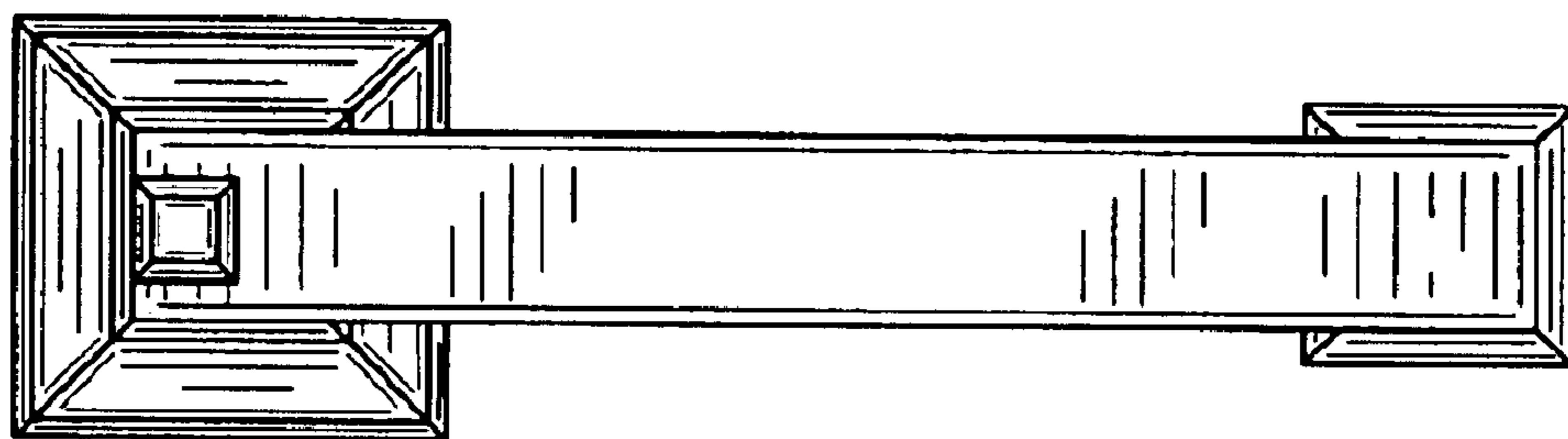


FIG. 3

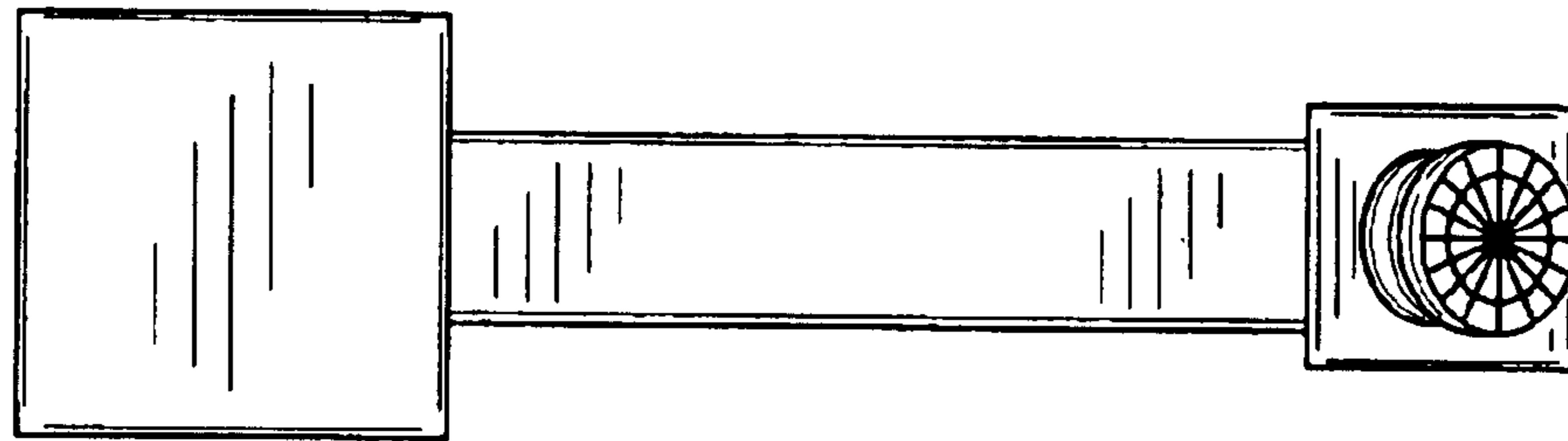


FIG. 4

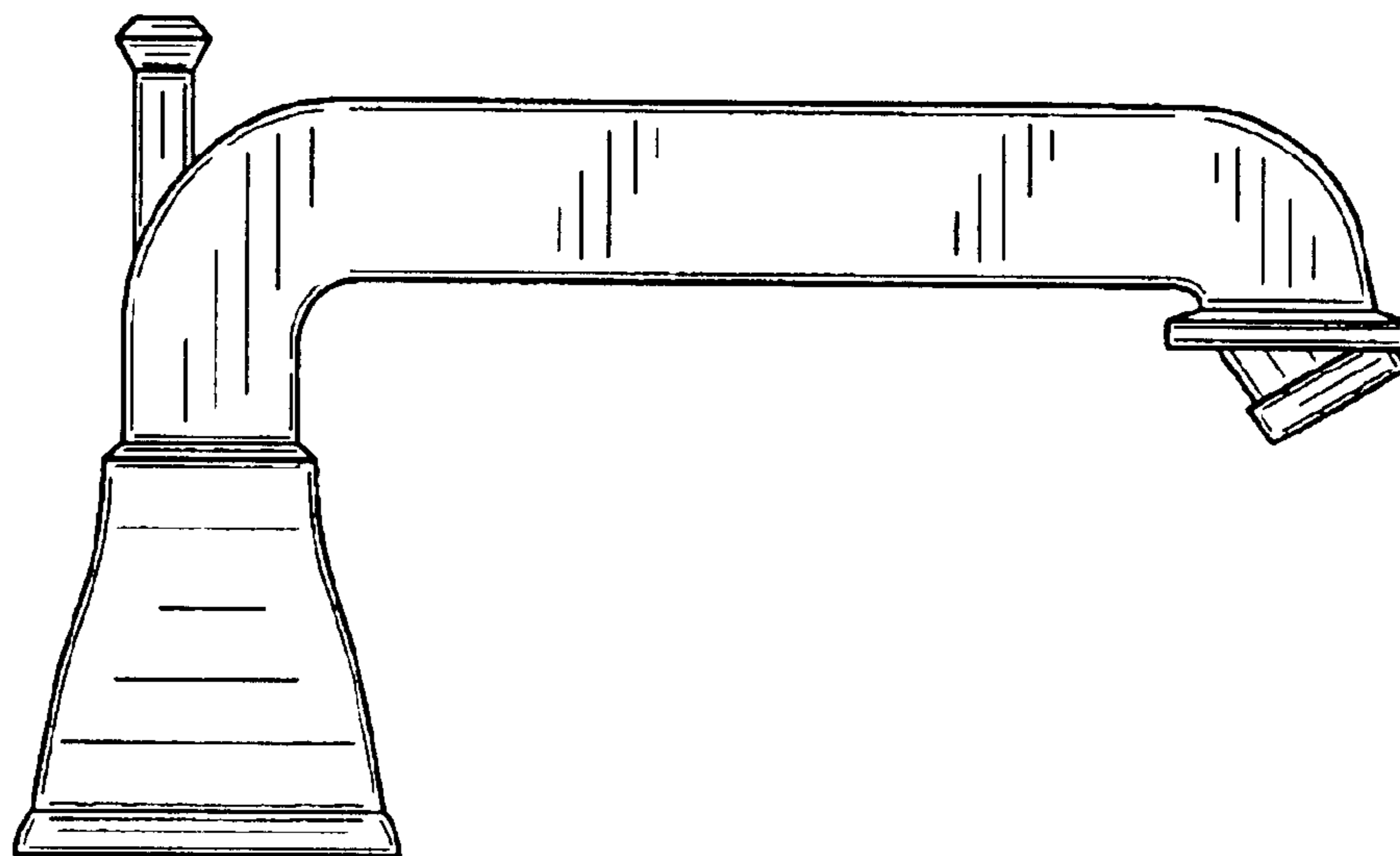


FIG. 5

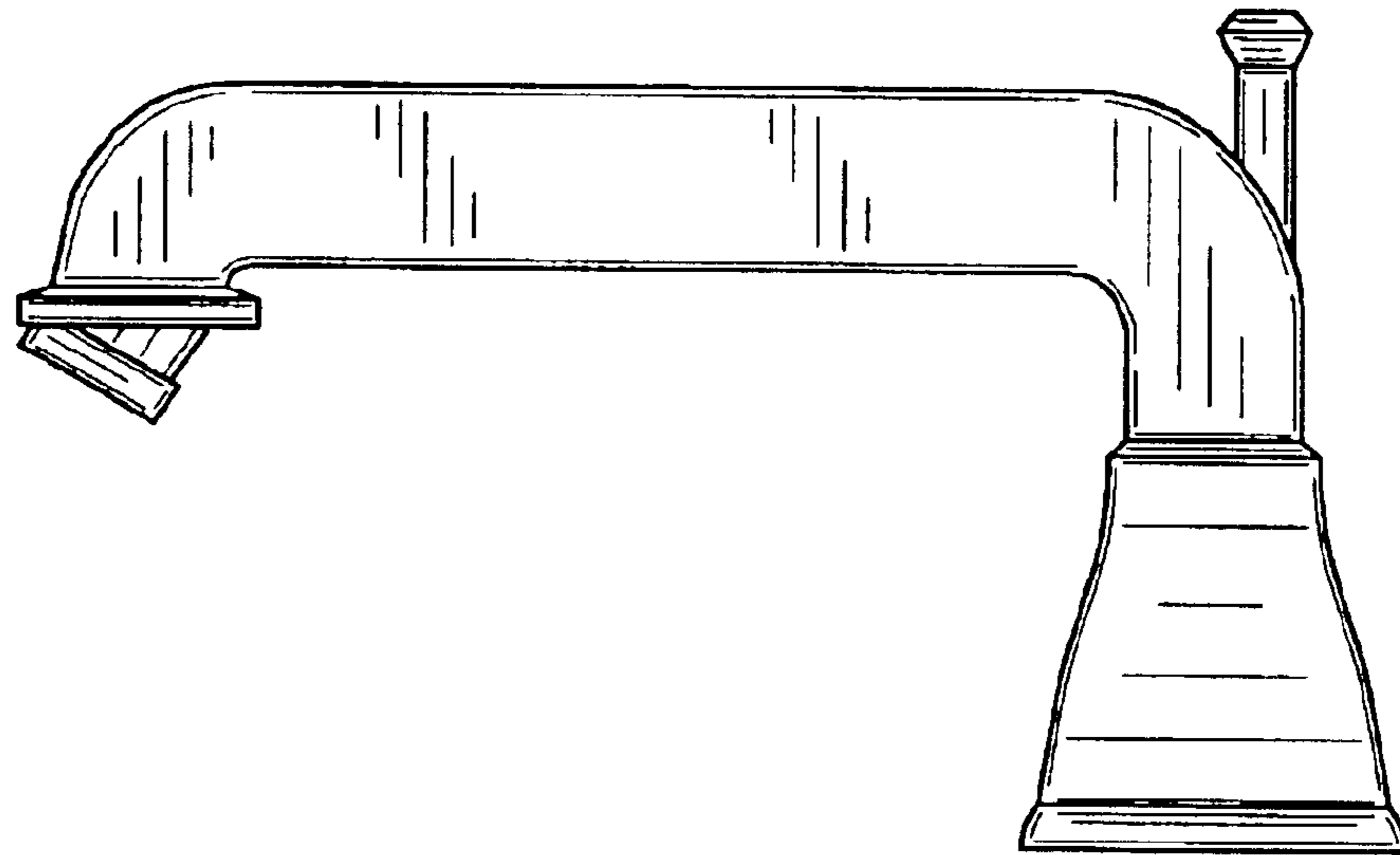


FIG. 6

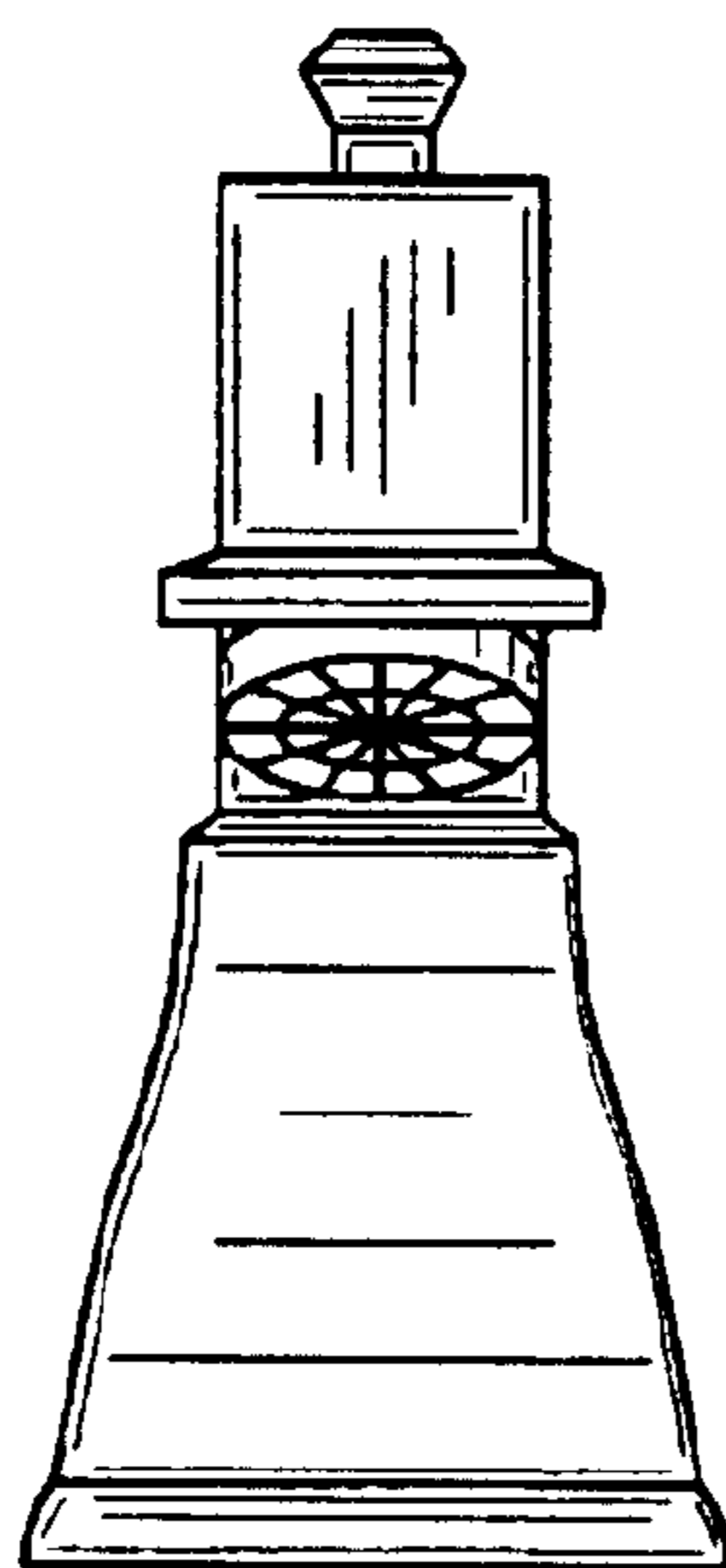


FIG. 7

