

US00D496713S1

(12) **United States Design Patent**
Lin

(10) **Patent No.:** **US D496,713 S**

(45) **Date of Patent:** **** Sep. 28, 2004**

(54) **FAUCET SET**

(75) **Inventor:** **Shih Hung Lin**, Taichung (TW)

(73) **Assignee:** **Globe Union Industrial Corp.**,
Taichung Export Processing Zone (TW)

(**) **Term:** **14 Years**

(21) **Appl. No.:** **29/185,199**

(22) **Filed:** **Jun. 25, 2003**

(51) **LOC (7) Cl.** **23-01**

(52) **U.S. Cl.** **D23/238**

(58) **Field of Search** **D23/250-257;**
4/671-678; 137/801

(56) **References Cited**

U.S. PATENT DOCUMENTS

D348,923 S	*	7/1994	Yost	D23/238
D388,863 S	*	1/1998	Kolada	D23/238
D429,797 S	*	8/2000	Kolada	D23/238
D463,846 S	*	10/2002	Ko	D23/238

* cited by examiner

Primary Examiner—Louis S. Zarfes

Assistant Examiner—Gregory Andoll

(74) *Attorney, Agent, or Firm*—Leong C. Lei

(57) **CLAIM**

The ornamental design for a faucet set, as shown and described.

DESCRIPTION

FIG. 1 is a perspective view of a faucet set showing my new design;

FIG. 2 is a front side elevation view thereof;

FIG. 3 is a rear side elevation view thereof;

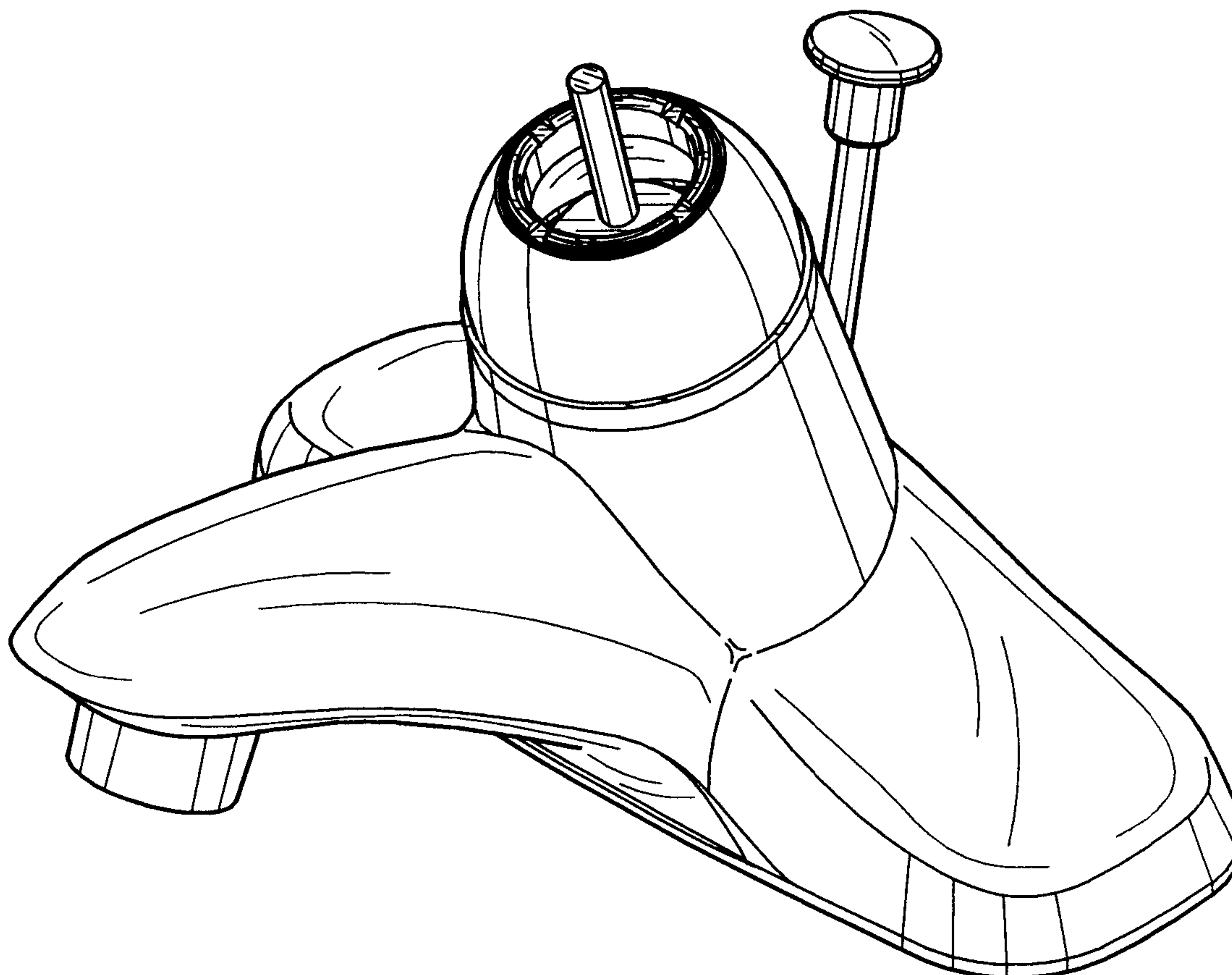
FIG. 4 is a left side elevation view thereof;

FIG. 5 is a right side elevation view thereof;

FIG. 6 is a top plan view thereof; and,

FIG. 7 is another perspective view of the faucet set, with the broken line showing of a knob being provided for illustrative purposes only and forming no part of the claimed design.

1 Claim, 5 Drawing Sheets



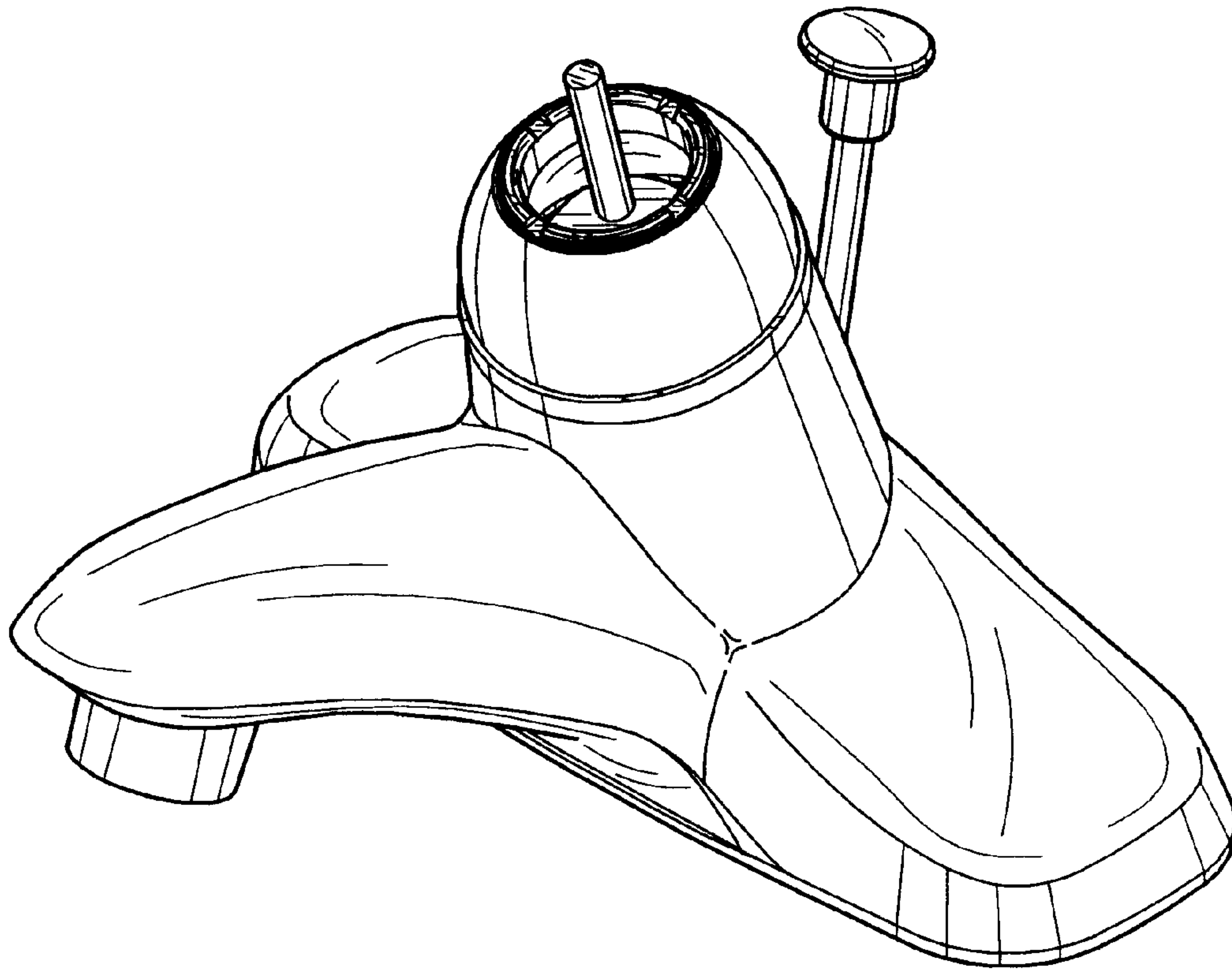


FIG. 1

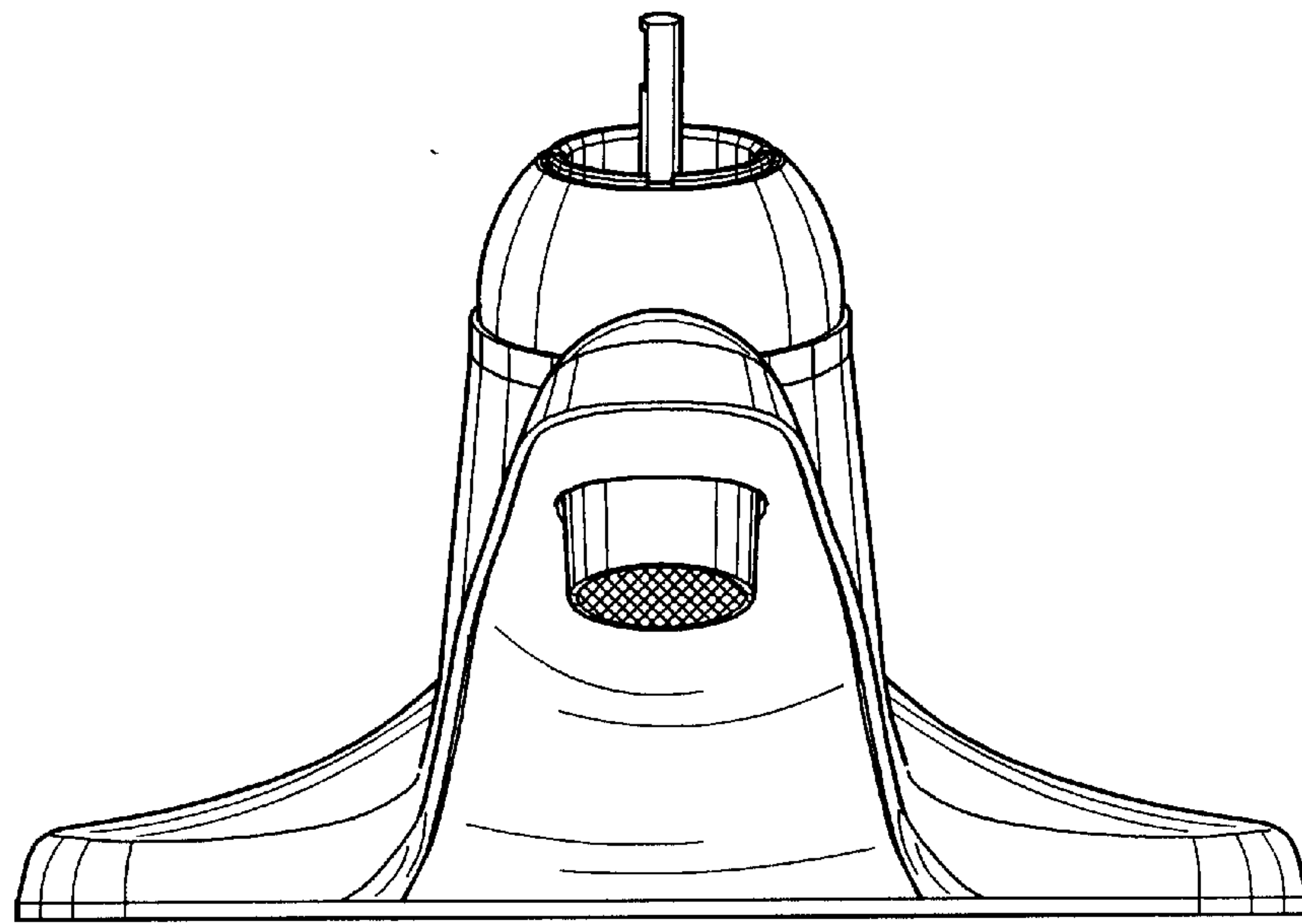


FIG. 2

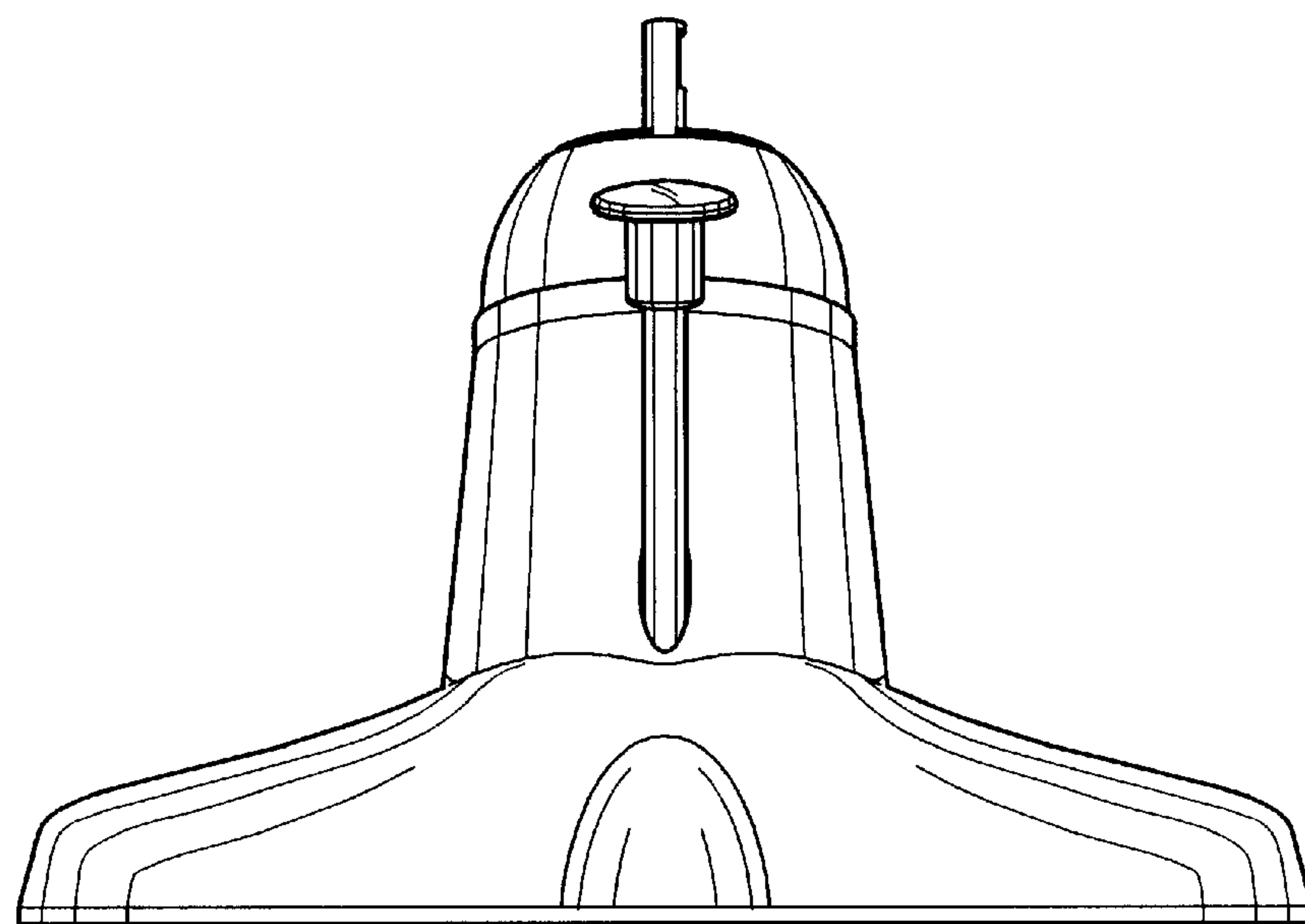


FIG. 3

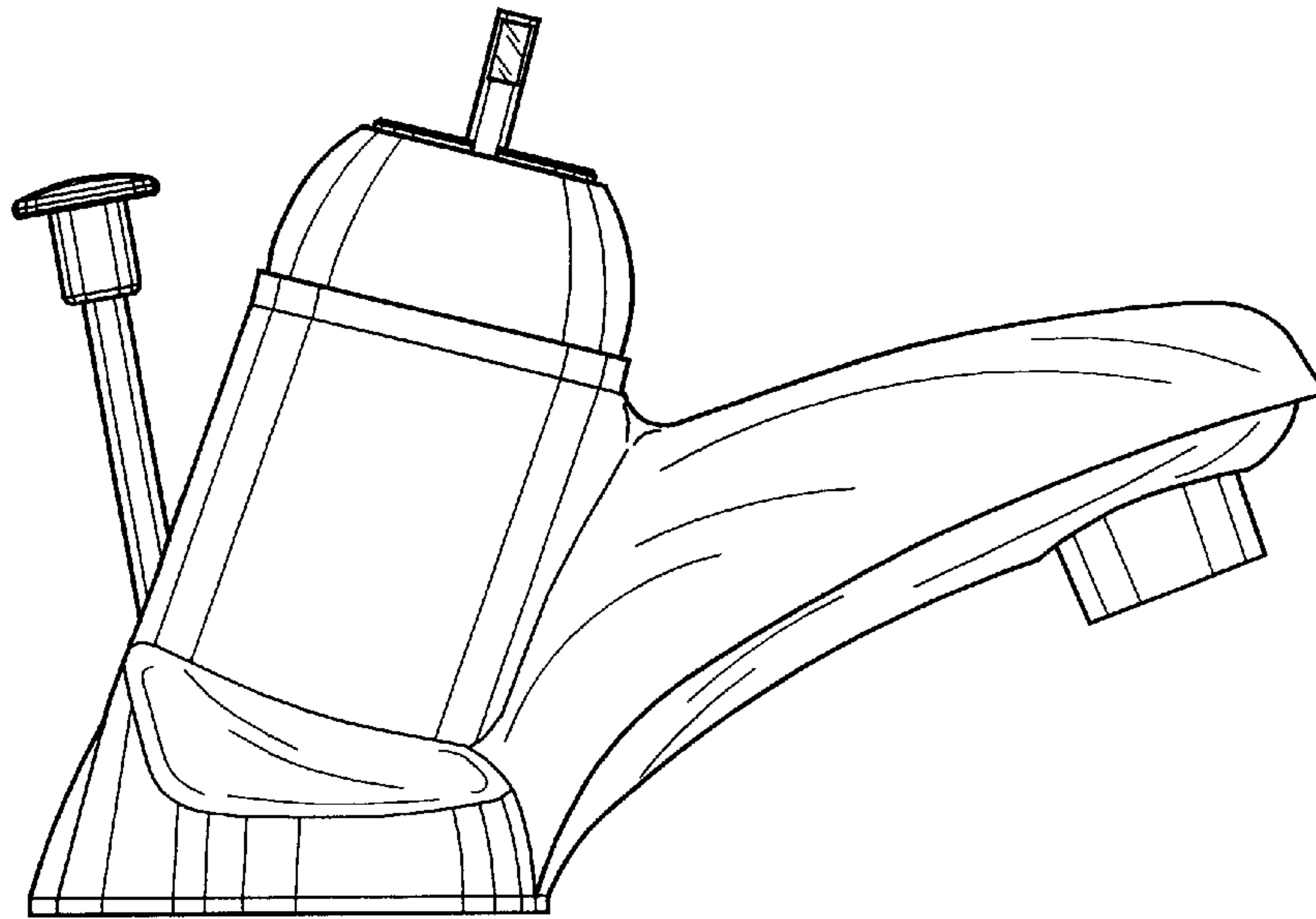


FIG. 4

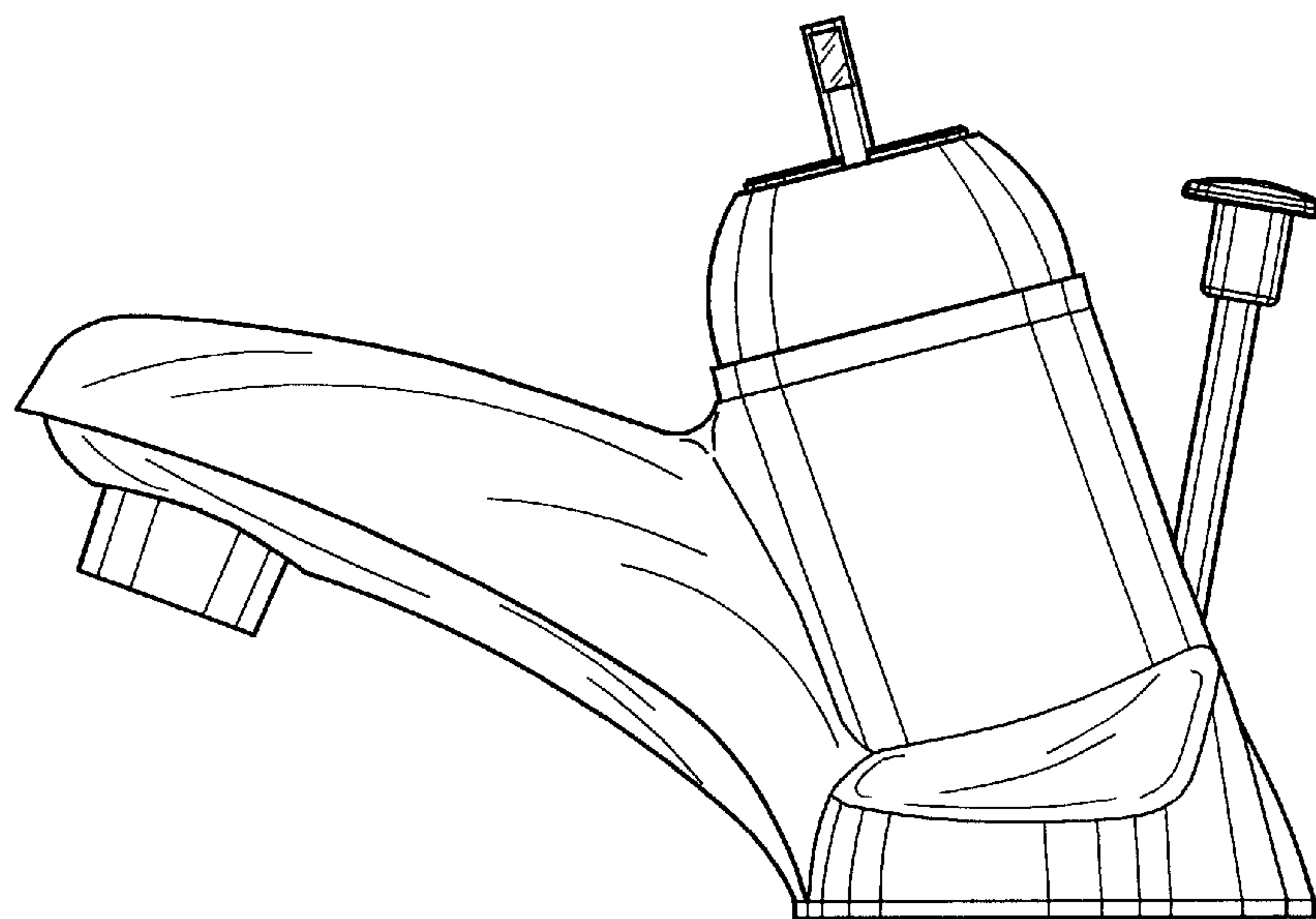


FIG. 5

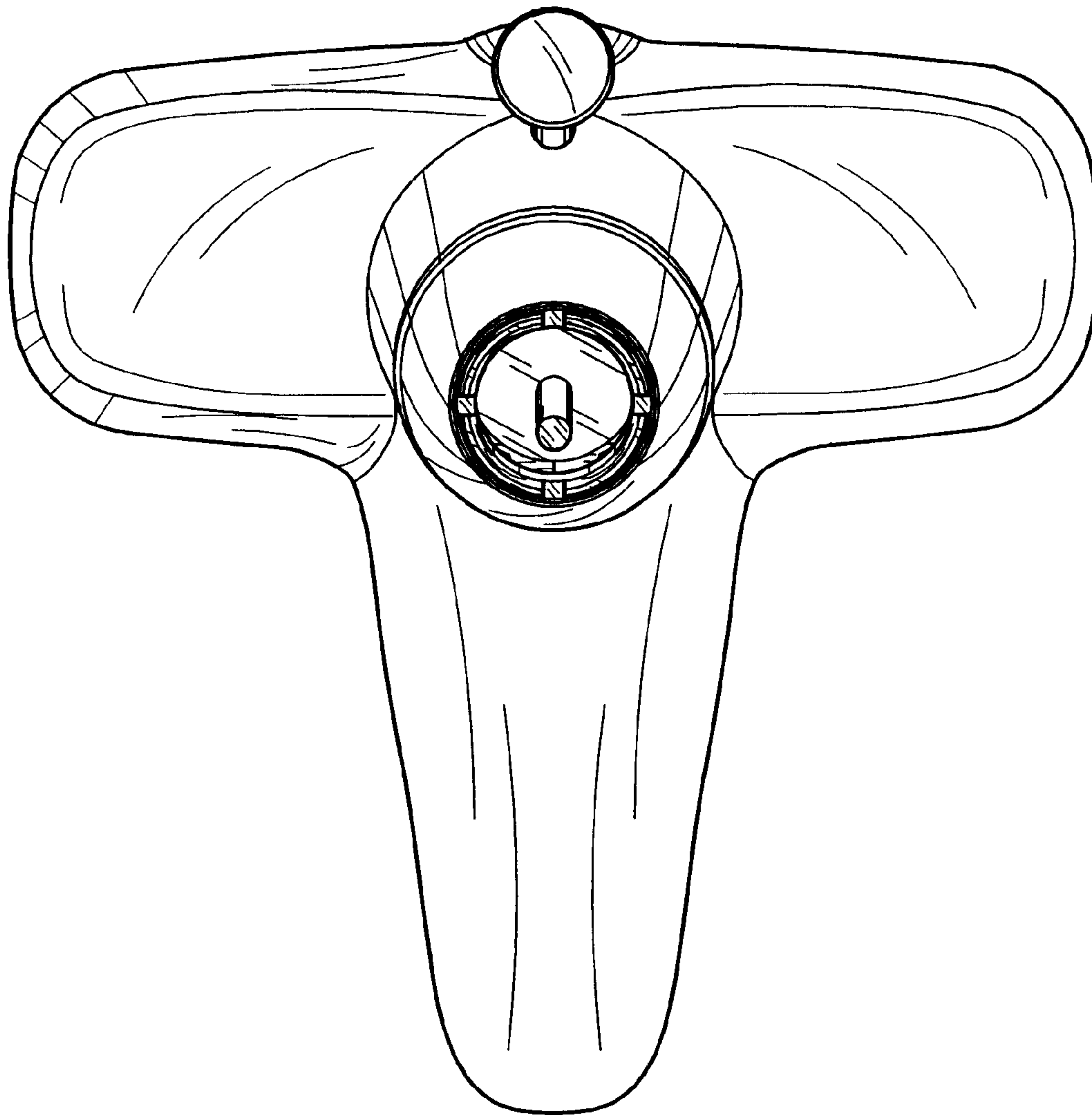


FIG. 6

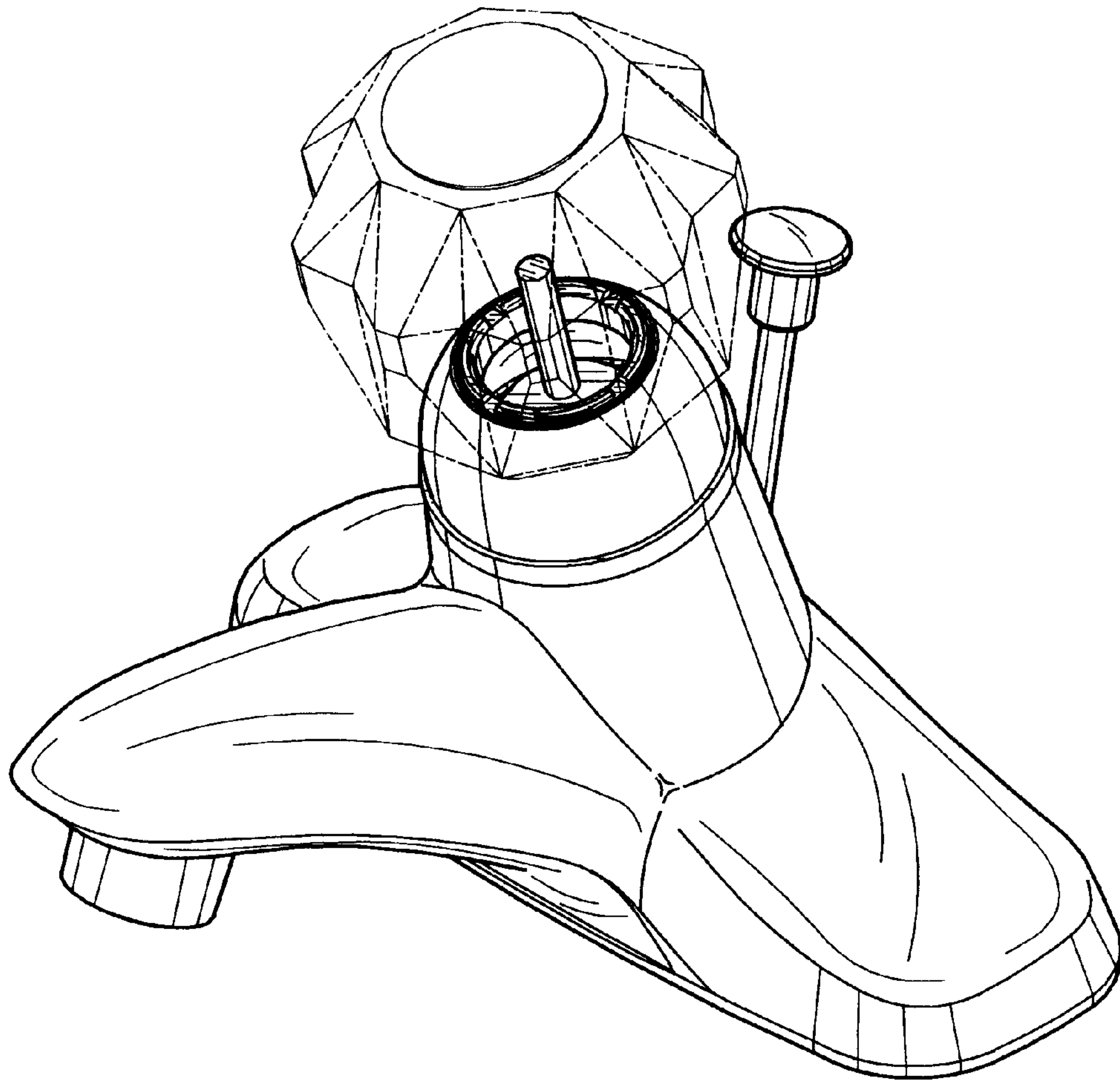


FIG. 7