

US00D496711S1

(12) **United States Design Patent** (10) **Patent No.:** **US D496,711 S**
Conway et al. (45) **Date of Patent:** **** Sep. 28, 2004**

(54) **UNDER-THE-RIM DISPENSER FOR A TOILET BOWL**

2002/0116751 A1 8/2002 Slade
2002/0148036 A1 10/2002 Wilson et al.

(75) Inventors: **Simon M. Conway**, Burlington, WI (US); **Stephen R. Schwallie**, Racine, WI (US); **Eric DeSouza**, Toronto (CA); **David S. Iverson**, Chicago, IL (US); **John W. Van Akkeren**, Chicago, IL (US); **Jason M. Carey**, Carol Stream, IL (US); **Daniel Perez**, Chicago, IL (US); **George L. Slezak**, Chicago, IL (US)

FOREIGN PATENT DOCUMENTS

EP 960984 A2 12/1999
WO WO 02/40787 A1 5/2002
WO WO 02/40792 A1 5/2002

* cited by examiner

Primary Examiner—Robin V. Taylor

(57) **CLAIM**

The ornamental design for an under-the-rim dispenser for a toilet bowl, as shown.

DESCRIPTION

FIG. 1 is a perspective view of the under-the-rim dispenser for a toilet bowl;
 FIG. 2 is a front view of the under-the-rim dispenser for a toilet bowl;
 FIG. 3 is a rear view of the under-the-rim dispenser for a toilet bowl;
 FIG. 4 is a right-side view of the under-the-rim dispenser for a toilet bowl;
 FIG. 5 is a left-side view of the under-the-rim dispenser for a toilet bowl;
 FIG. 6 is a top view of the under-the-rim dispenser for a toilet bowl, in which the hook shown in broken lines in FIGS. 1–5 is sectioned in order to show the entire top of the claimed design for the under-the-rim dispenser for a toilet bowl; and,
 FIG. 7 is a bottom view of the under-the-rim dispenser for a toilet bowl.
 The broken lines, shown in FIGS. 1–7, form no part of the claim.

(73) Assignee: **S.C. Johnson & Son, Inc.**, Racine, WI (US)

(**) Term: **14 Years**

(21) Appl. No.: **29/178,628**

(22) Filed: **Mar. 31, 2003**

(51) **LOC (7) Cl.** **23-01**

(52) **U.S. Cl.** **D23/208**

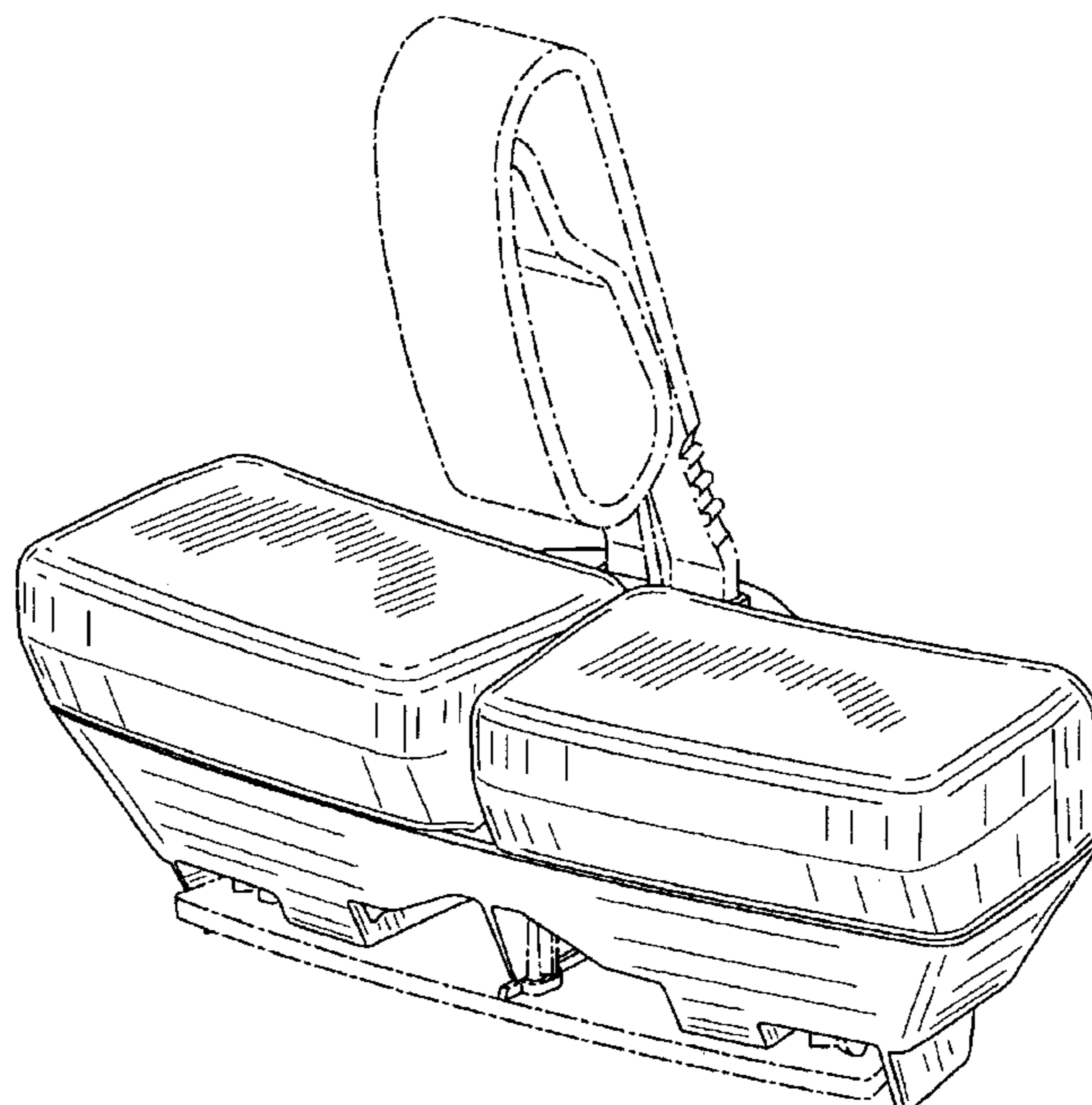
(58) **Field of Search** D23/208; 4/231, 4/223, 225.1, 227.1

(56) **References Cited**

U.S. PATENT DOCUMENTS

| | | | | |
|--------------|----|-----------|-----------------|---------|
| 2,214,798 | A | 9/1940 | Reikosky | |
| D307,934 | S | * 5/1990 | Verebelyi | D23/208 |
| D308,408 | S | * 6/1990 | Hoyt et al. | D23/208 |
| D387,848 | S | * 12/1997 | Thompson et al. | D23/208 |
| 6,230,334 | B1 | 5/2001 | Camp et al. | |
| 6,311,340 | B1 | * 11/2001 | Thompson | 4/231 |
| 6,389,610 | B1 | 5/2002 | Hautmann et al. | |
| 6,505,356 | B1 | 1/2003 | Leonard et al. | |
| 6,519,783 | B2 | 2/2003 | Falchieri | |
| 2002/0083514 | A1 | 7/2002 | Lhoste | |

1 Claim, 5 Drawing Sheets



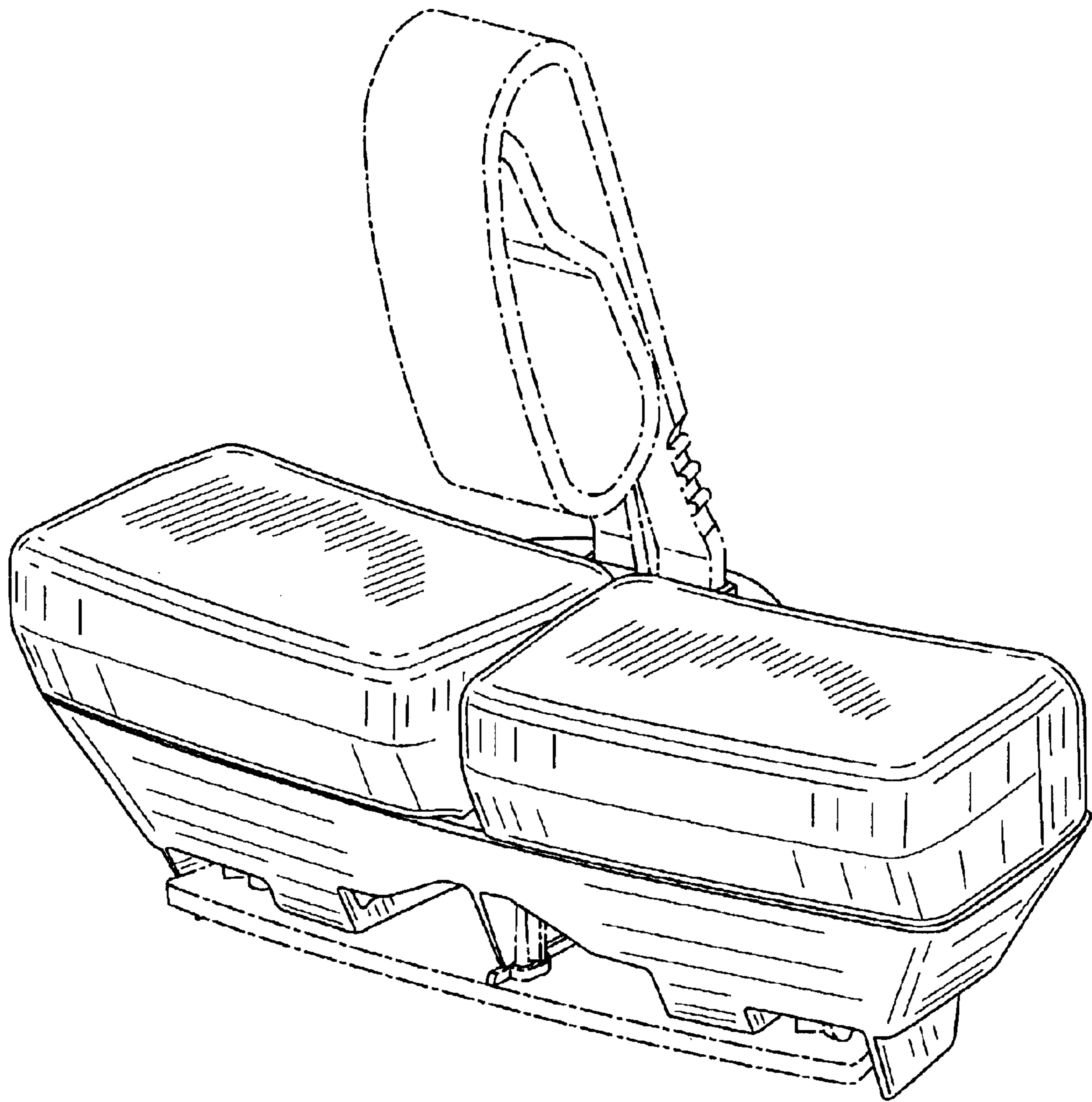


FIG. 1

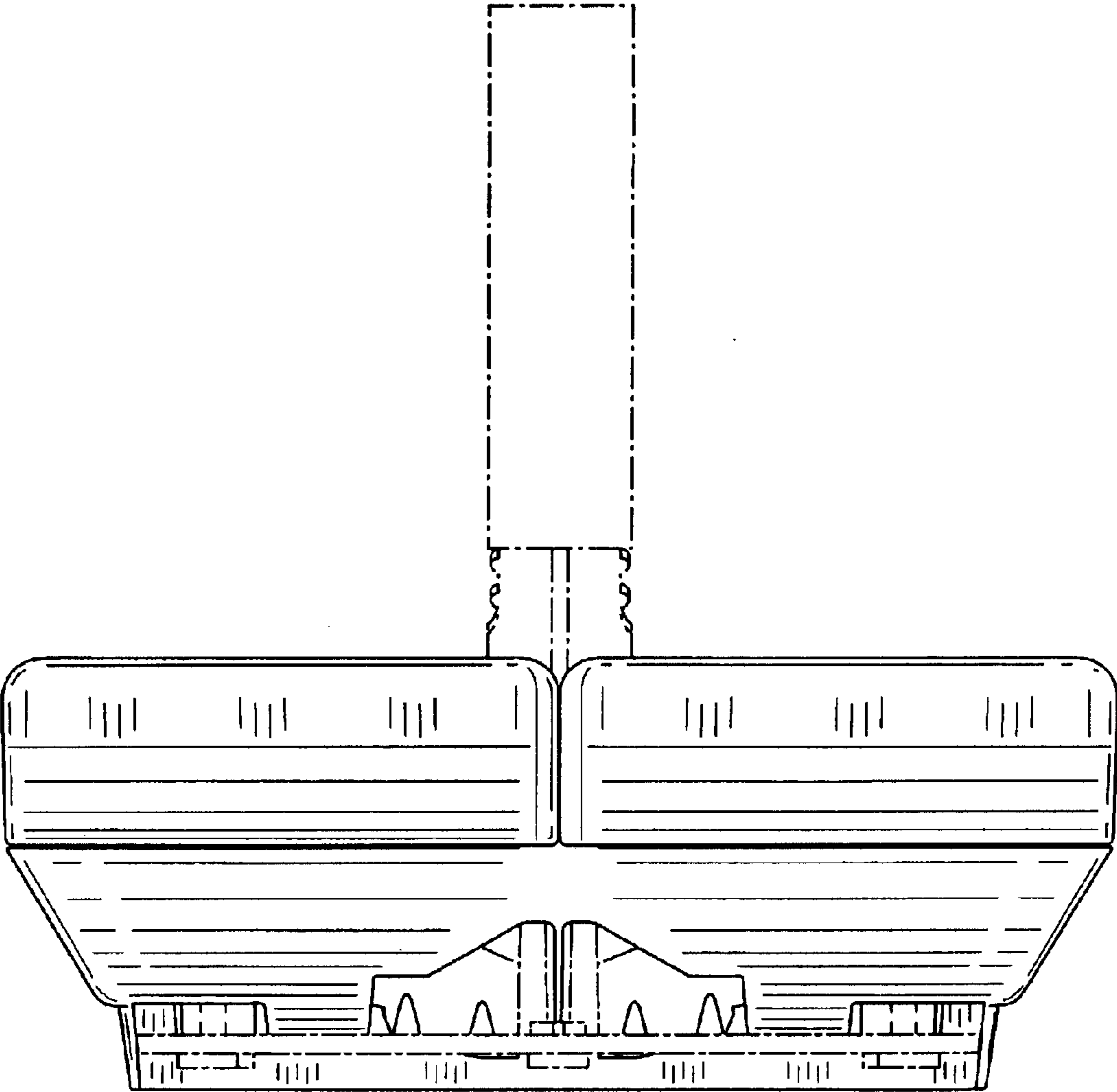


FIG. 2

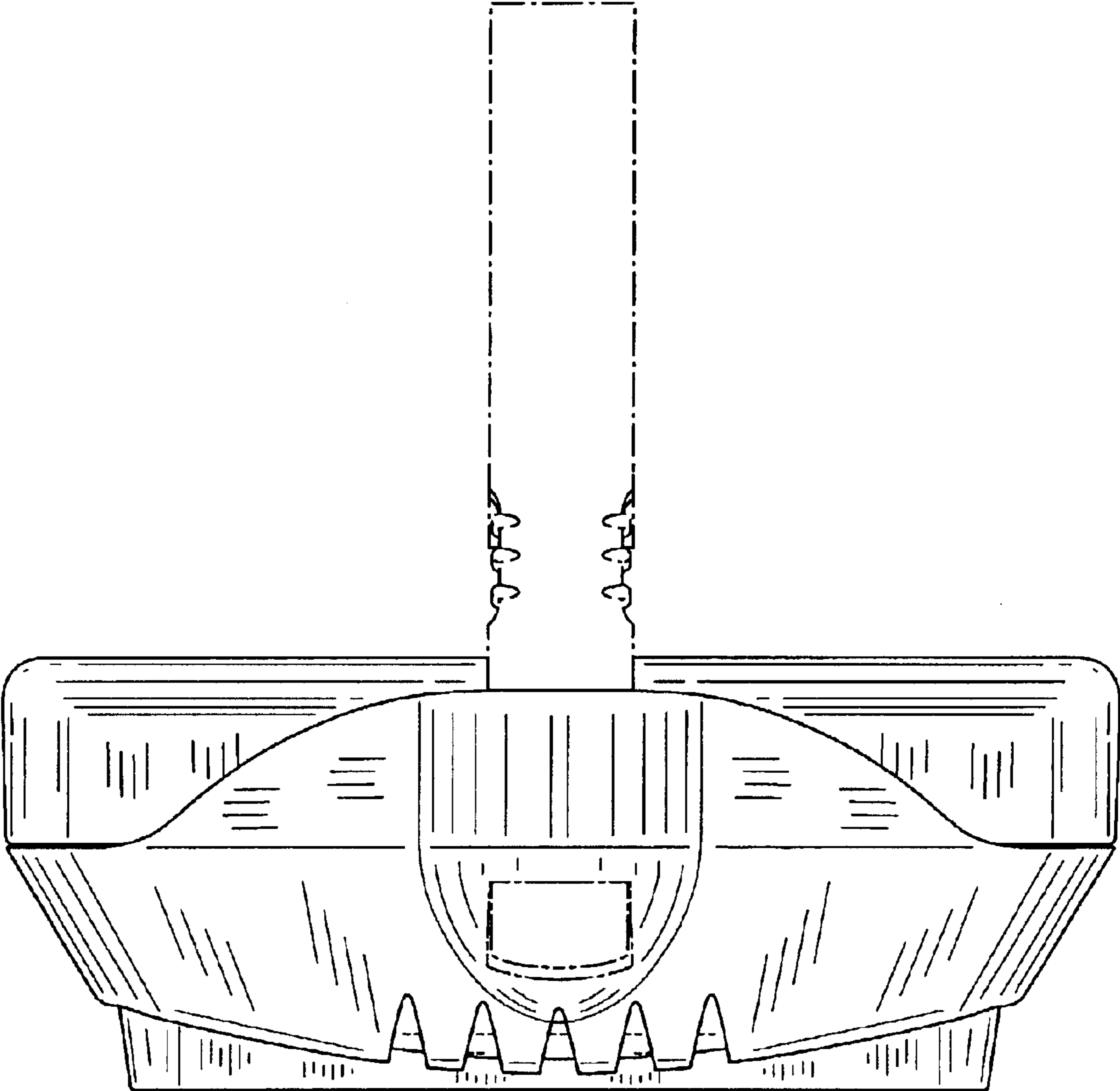


FIG. 3

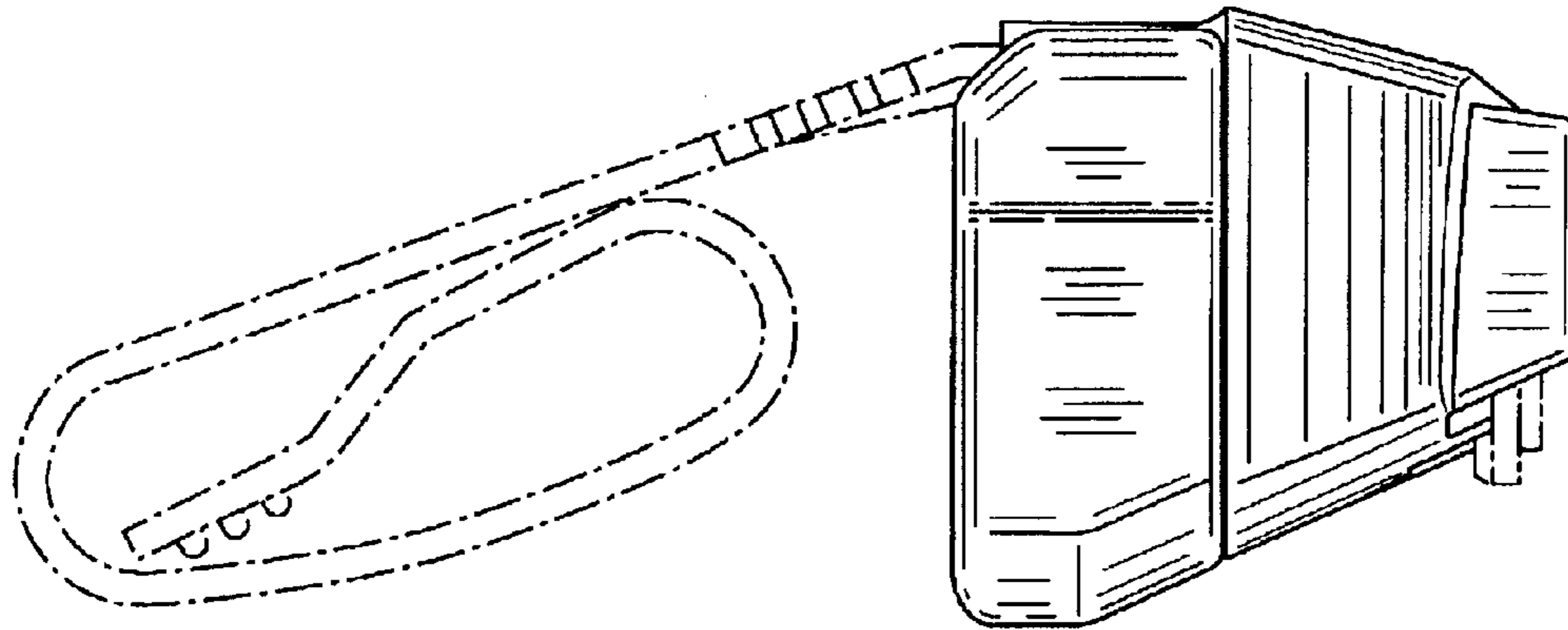


FIG. 5

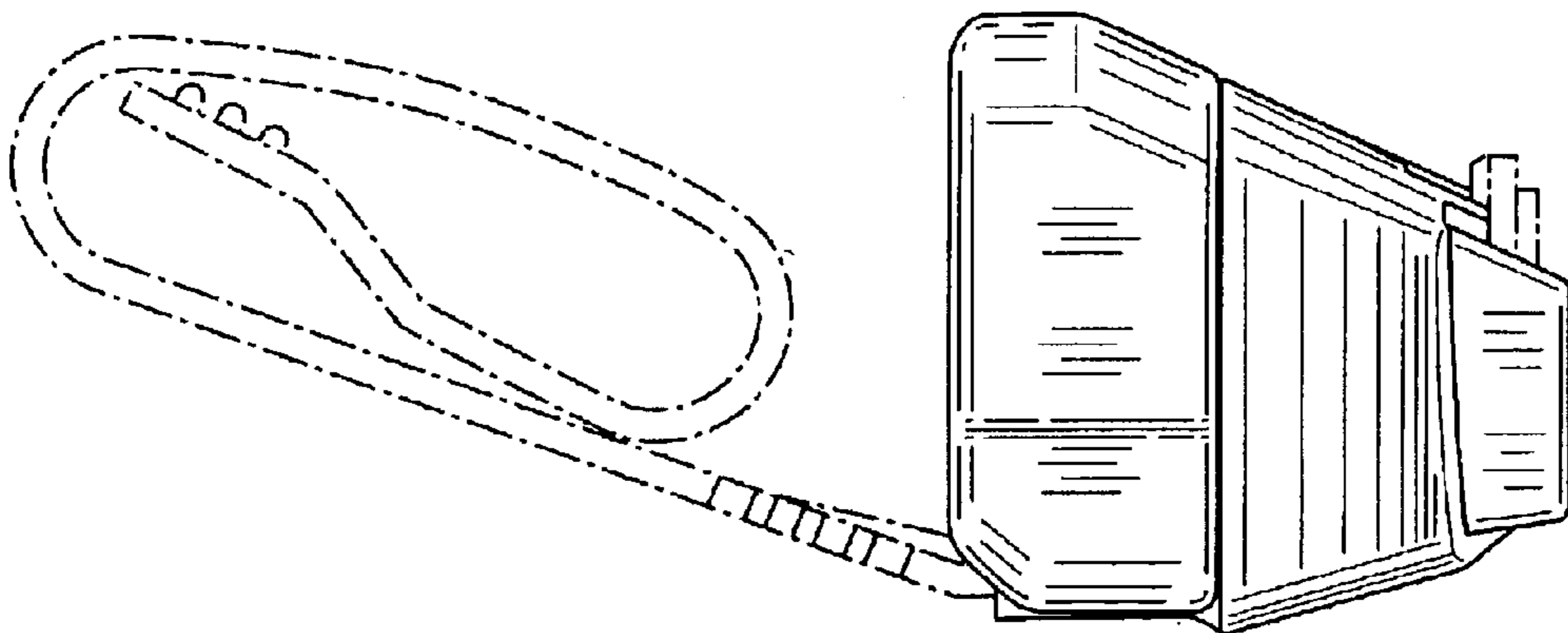


FIG. 4

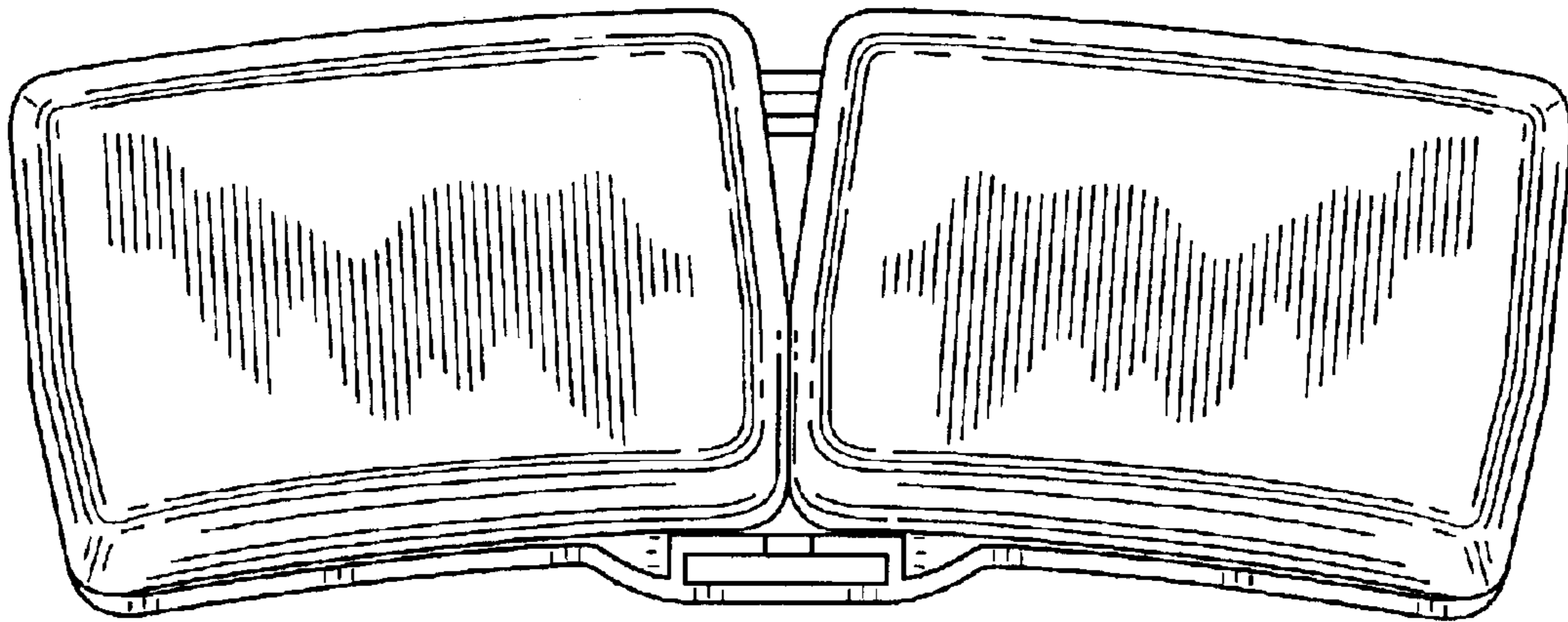


FIG. 6

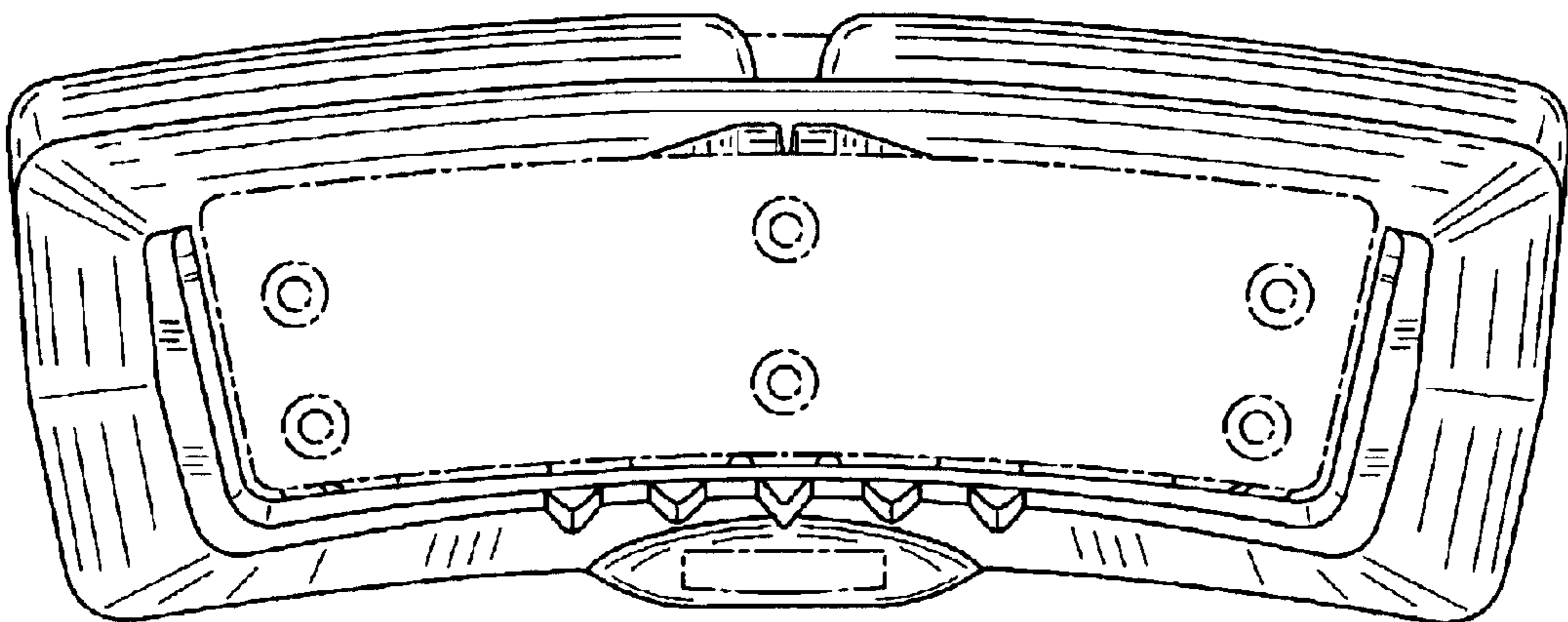


FIG. 7