

US00D496710S1

(12) **United States Design Patent** (10) **Patent No.:** **US D496,710 S**
Stoops et al. (45) **Date of Patent:** **** Sep. 28, 2004**

(54) **WATER FOUNTAIN**

Primary Examiner—Robin V. Taylor
(74) *Attorney, Agent, or Firm*—Lathrop & Gage, LC

(76) Inventors: **Ronald T. Stoops**, 12190 N. Juniper Dr., Colorado Springs, CO (US) 80908;
Dean Couture, 3365 Needles Dr., Colorado Springs, CO (US) 80908

(57) **CLAIM**

The ornamental design for a water fountain, as shown and described.

(**) Term: **14 Years**

DESCRIPTION

(21) Appl. No.: **29/187,745**

FIG. 1 is a top perspective view of the water fountain, showing the new design;

(22) Filed: **Aug. 6, 2003**

FIG. 2 is a front perspective view of the water fountain;

(51) **LOC (7) Cl.** **23-01**

FIG. 3 is a front view of the water fountain;

(52) **U.S. Cl.** **D23/201**

FIG. 4 is a side view of the water fountain;

(58) **Field of Search** D23/201; 239/17, 239/19, 20, 21, 22

FIG. 5 is a rear view of the water fountain;

FIG. 6 is a top view of the water fountain; and,

FIG. 7 is a bottom view of the water fountain.

(56) **References Cited**

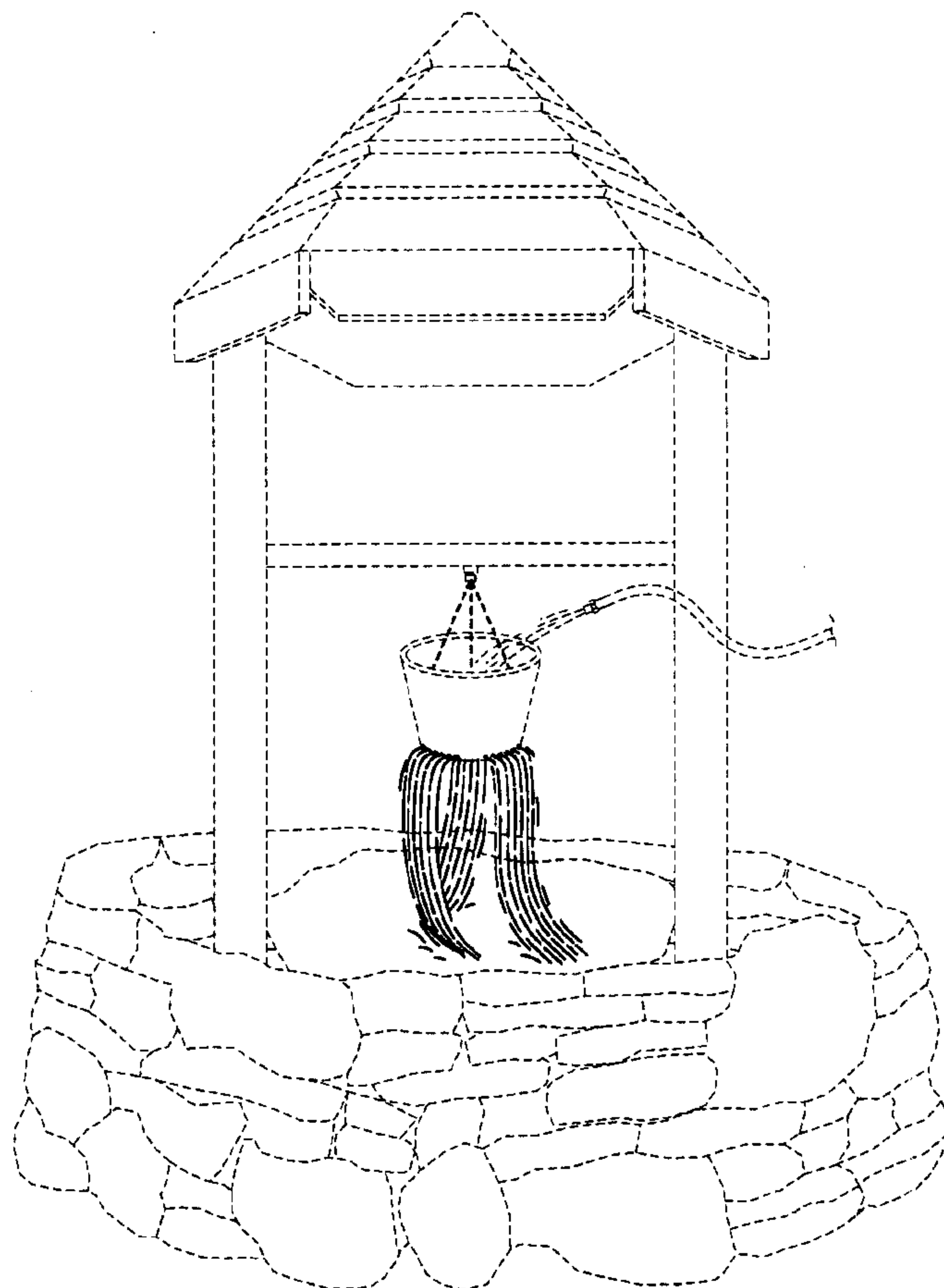
The broken line remainder of the water fountain showing the catch basin in the form of a well, the fountain producing device and the environment surrounding the water fountain are for illustrative purposes only and form no part of the claimed design.

U.S. PATENT DOCUMENTS

D208,754 S	*	9/1967	Hruby	D23/201
D208,755 S	*	9/1967	Hruby	D23/201
D232,229 S	*	7/1974	Hriby	D23/201
D481,780 S	*	11/2003	Lee et al.	D23/201

* cited by examiner

1 Claim, 6 Drawing Sheets



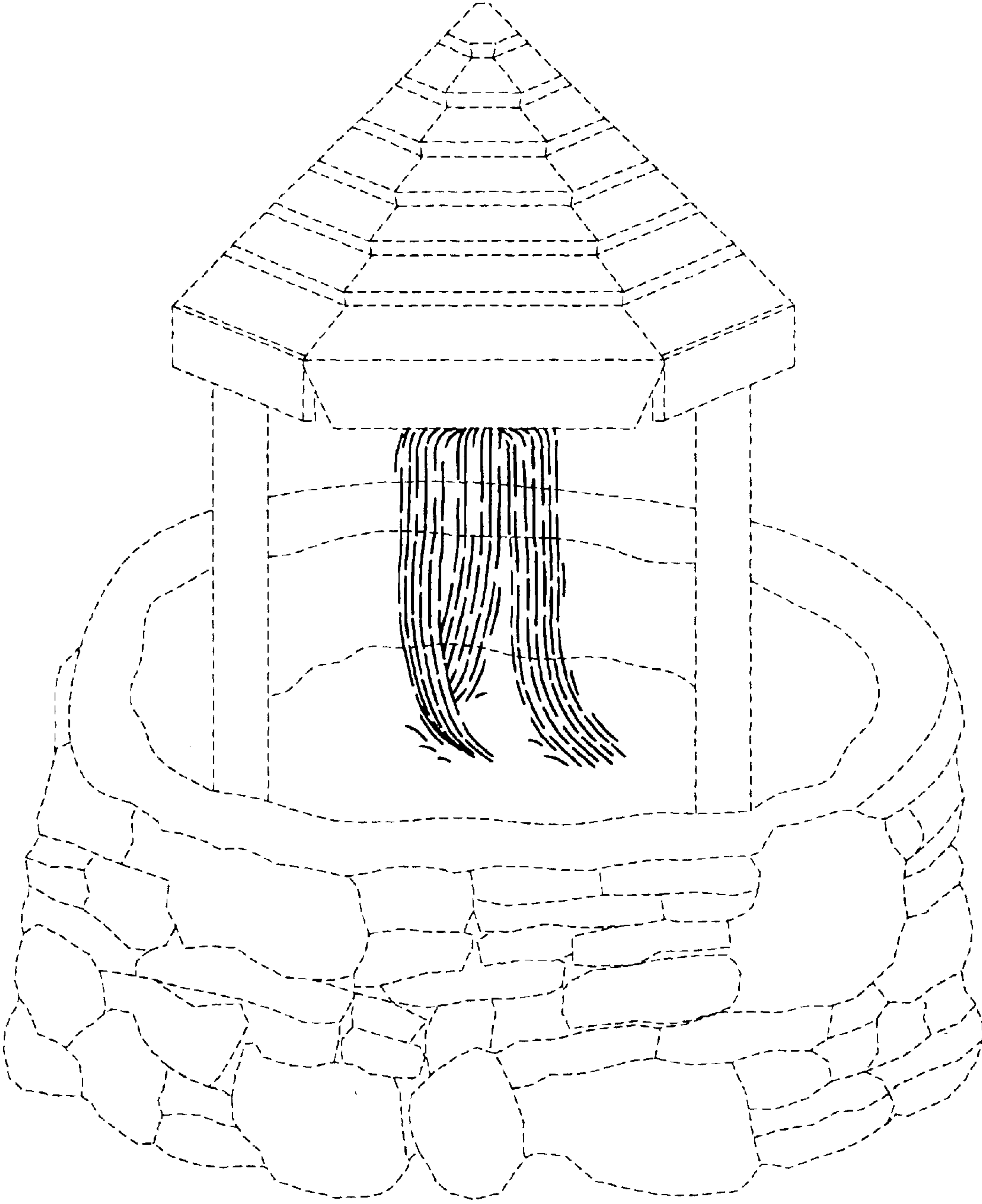


FIG. 1

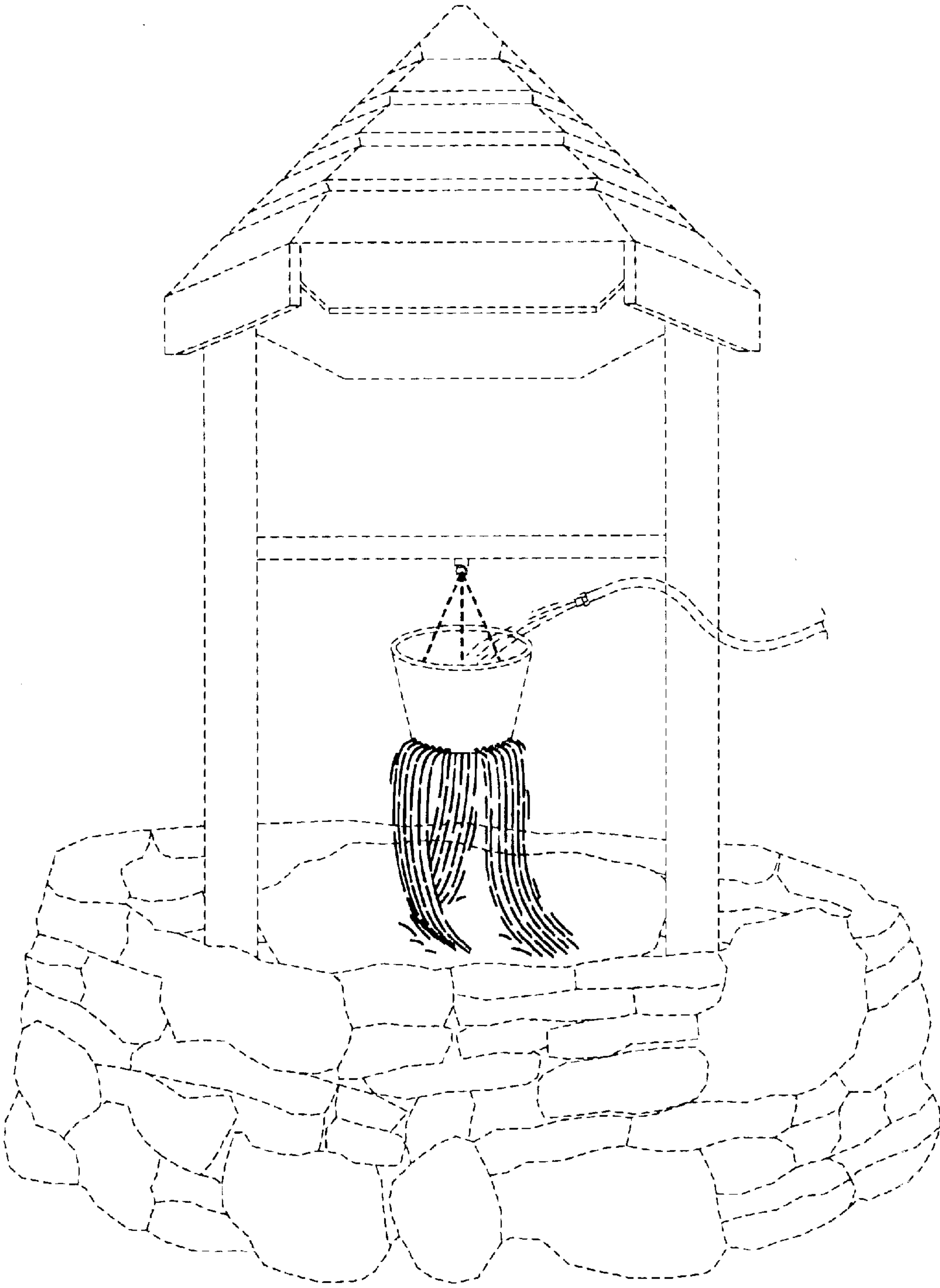


FIG. 2

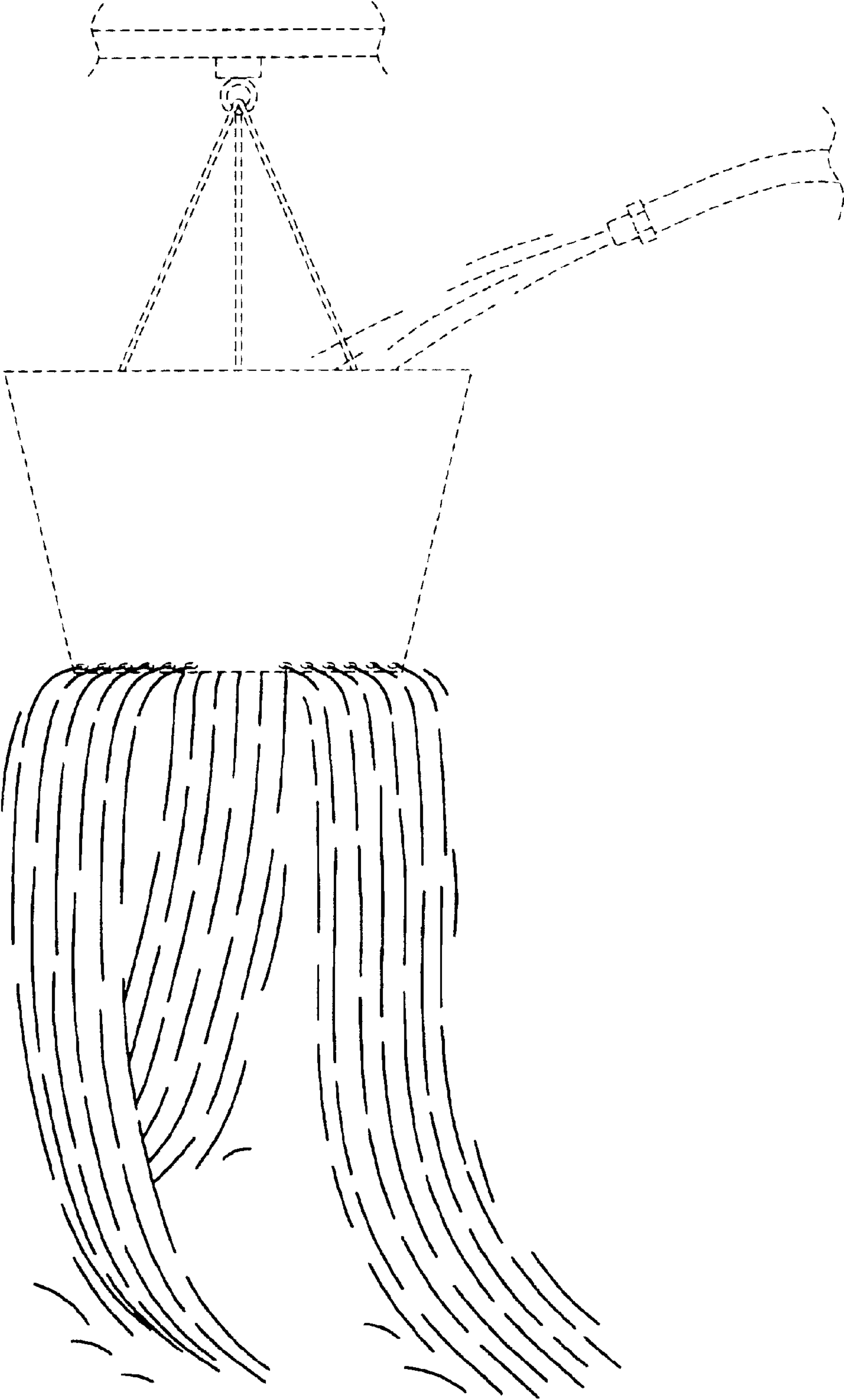


FIG. 3

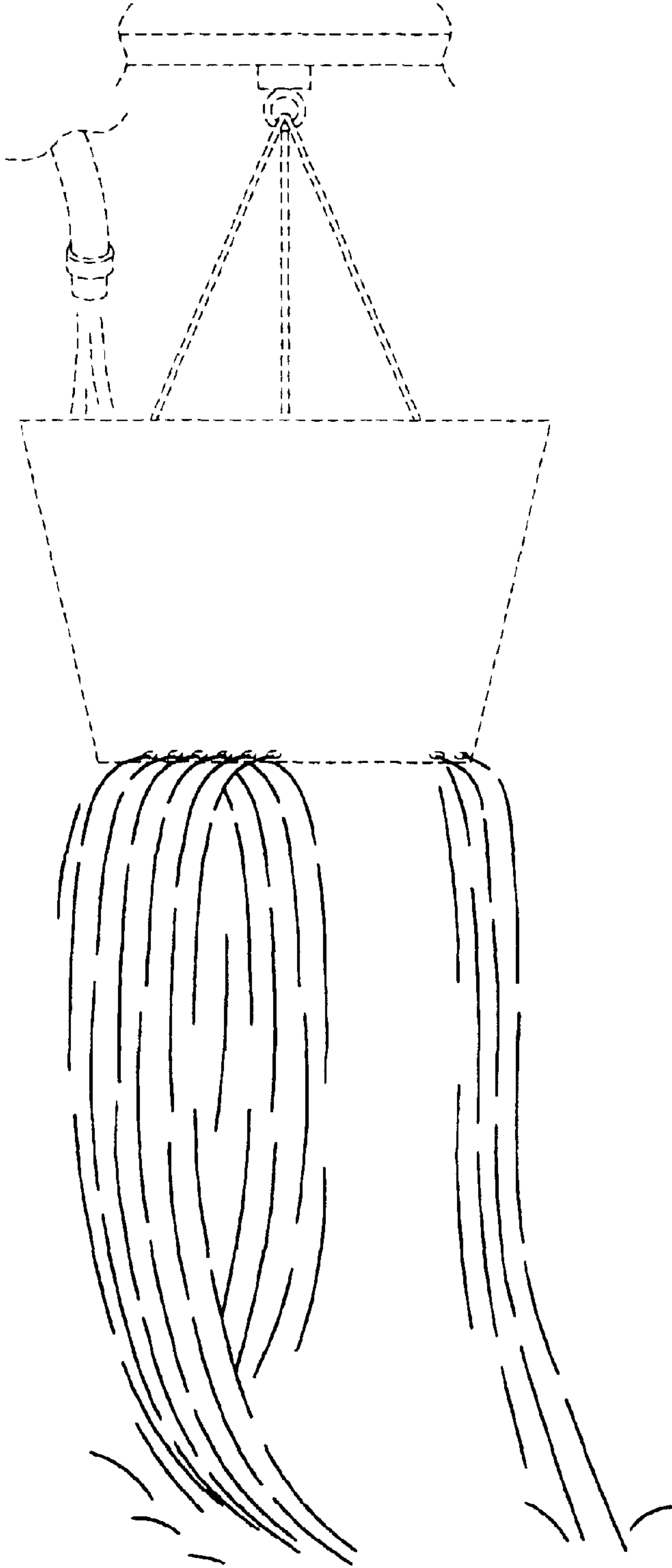


FIG. 4

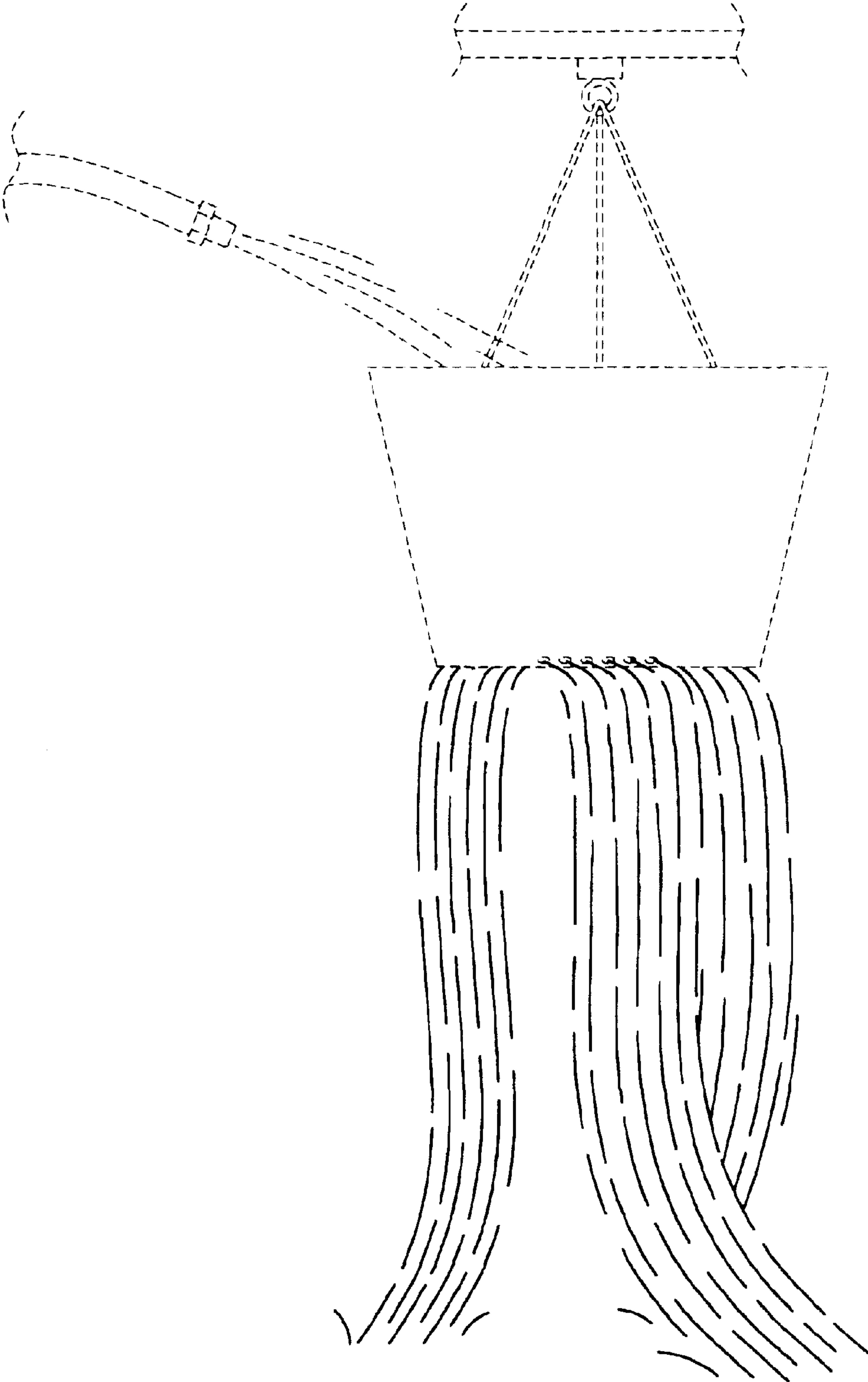


FIG. 5

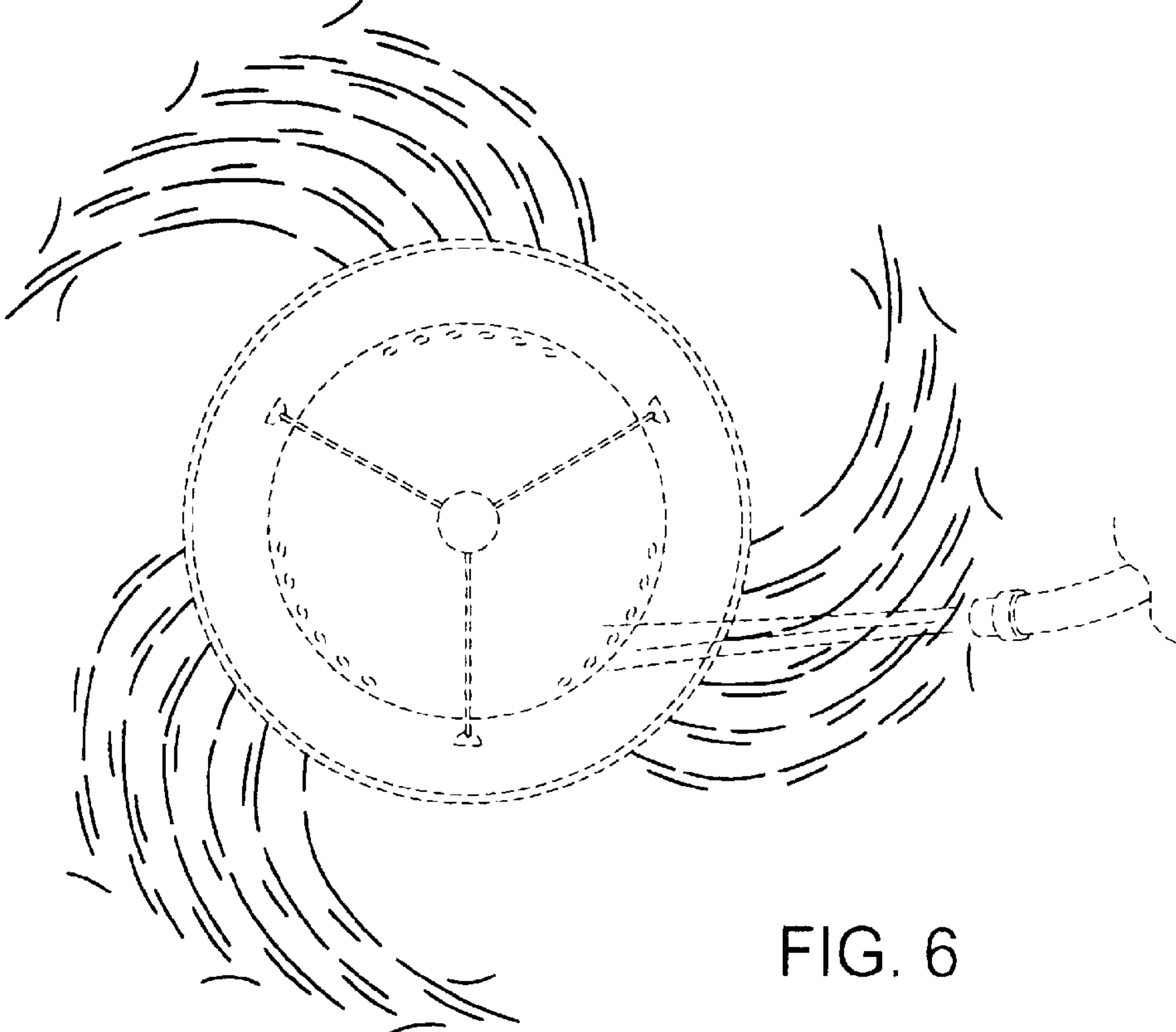


FIG. 6

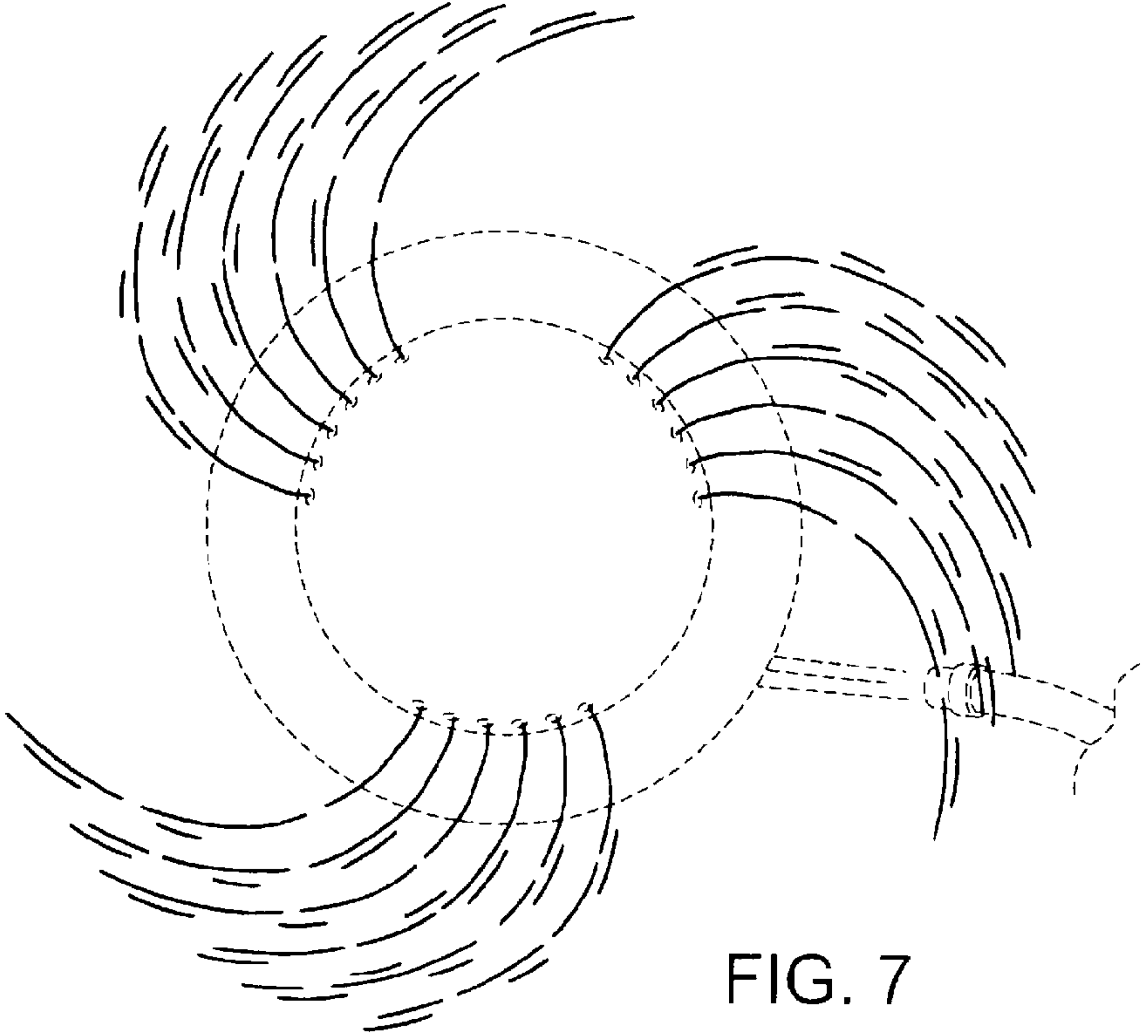


FIG. 7