

US00D496708S1

(12) **United States Design Patent**
Belmont et al.

(10) **Patent No.:** **US D496,708 S**

(45) **Date of Patent:** **** Sep. 28, 2004**

(54) **INSECT TRAP THAT UTILIZES PROPANE GAS**

2002/0129540 A1 9/2002 Chura 43/139
2003/0084604 A1 5/2003 Durand et al. 43/139

(75) Inventors: **Richard E. Belmont**, Winston-Salem, NC (US); **Richard E. Achor**, Winston-Salem, NC (US)

* cited by examiner

Primary Examiner—Catherine R. Oliver

(74) *Attorney, Agent, or Firm*—Greer, Burns & Crain, Ltd

(73) Assignee: **CPD Associates, Inc.**, Winston-Salem, NC (US)

(57) **CLAIM**

The ornamental design for a insect trap that utilizes propane gas, as shown and described.

(**) Term: **14 Years**

DESCRIPTION

(21) Appl. No.: **29/184,002**

FIG. 1 is a perspective view of an insect trap that utilizes propane gas, the design being characterized by a side-by-side arrangement of the propane tank with the insect trap. FIG. 2 is a front view of the insect trap and propane tank shown in FIG. 1, the rear being a mirror image thereof; FIG. 3 is a left side view of same; FIG. 4 is a right side view thereof; FIG. 5 is a top view thereof; FIG. 6 is a bottom view thereof; and, FIG. 7 is a perspective view of the propane tank and insect trap without the environmental structures shown for clarity of disclosure.

(22) Filed: **Jun. 19, 2003**

(51) **LOC (7) Cl.** **22-06**

(52) **U.S. Cl.** **D22/122**

(58) **Field of Search** D22/122, 120, D22/119; 43/113, 112, 139, 132.1; 424/45

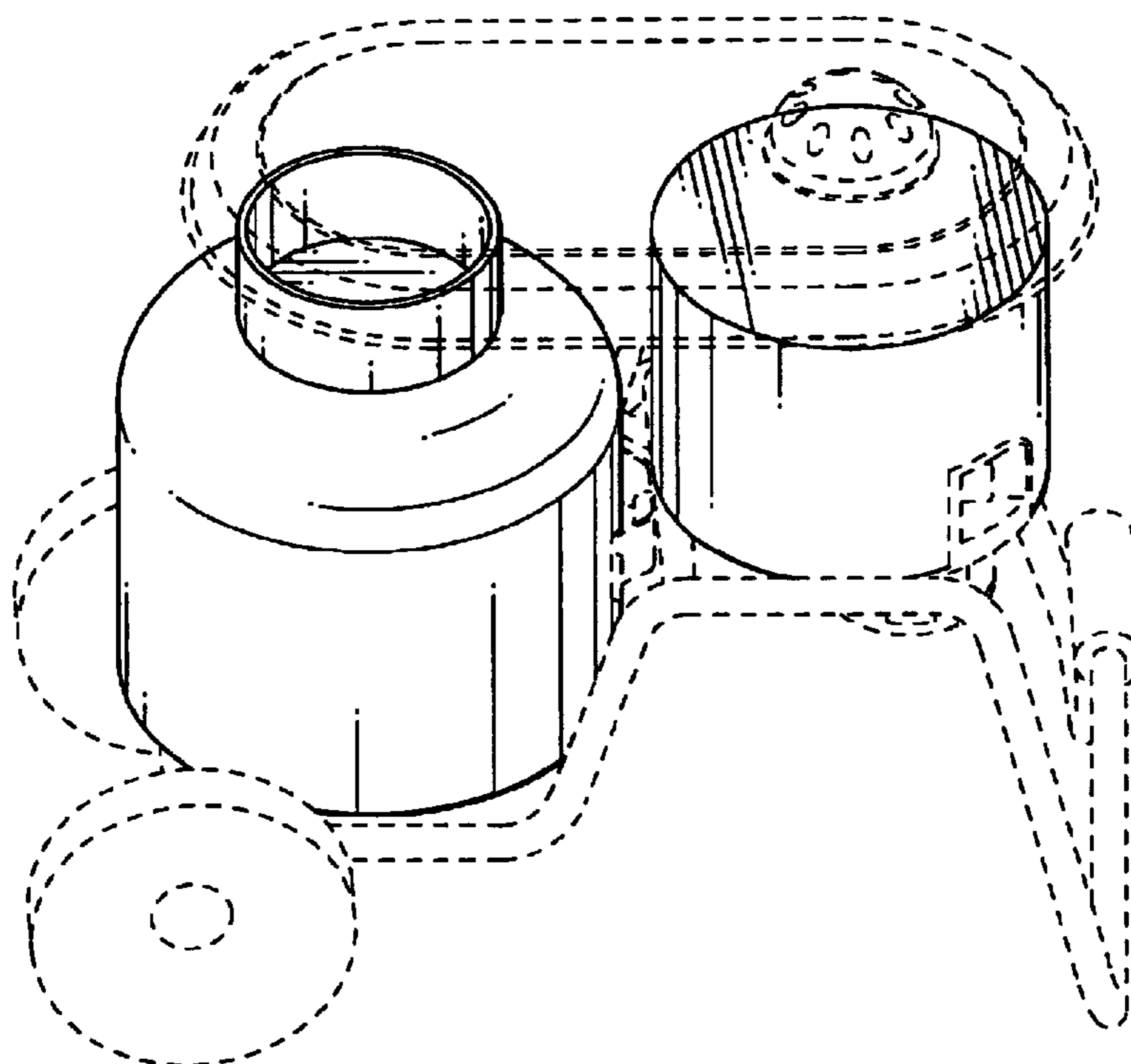
The cover, cart, trap cup, the tank valve and controls are shown in dashed lines are not a part of this design.

(56) **References Cited**

U.S. PATENT DOCUMENTS

3,001,321	A	*	9/1961	Mauro et al.	43/139
D191,984	S	*	12/1961	Gardner	D22/123
5,382,422	A		1/1995	Dieguez et al.	424/45
D359,790	S	*	6/1995	Blotnick	D22/122
D375,136	S	*	10/1996	Poore	D22/123
6,145,243	A		11/2000	Wigton et al.	43/139
D466,579	S		12/2002	Spiro et al.	D22/122

1 Claim, 6 Drawing Sheets



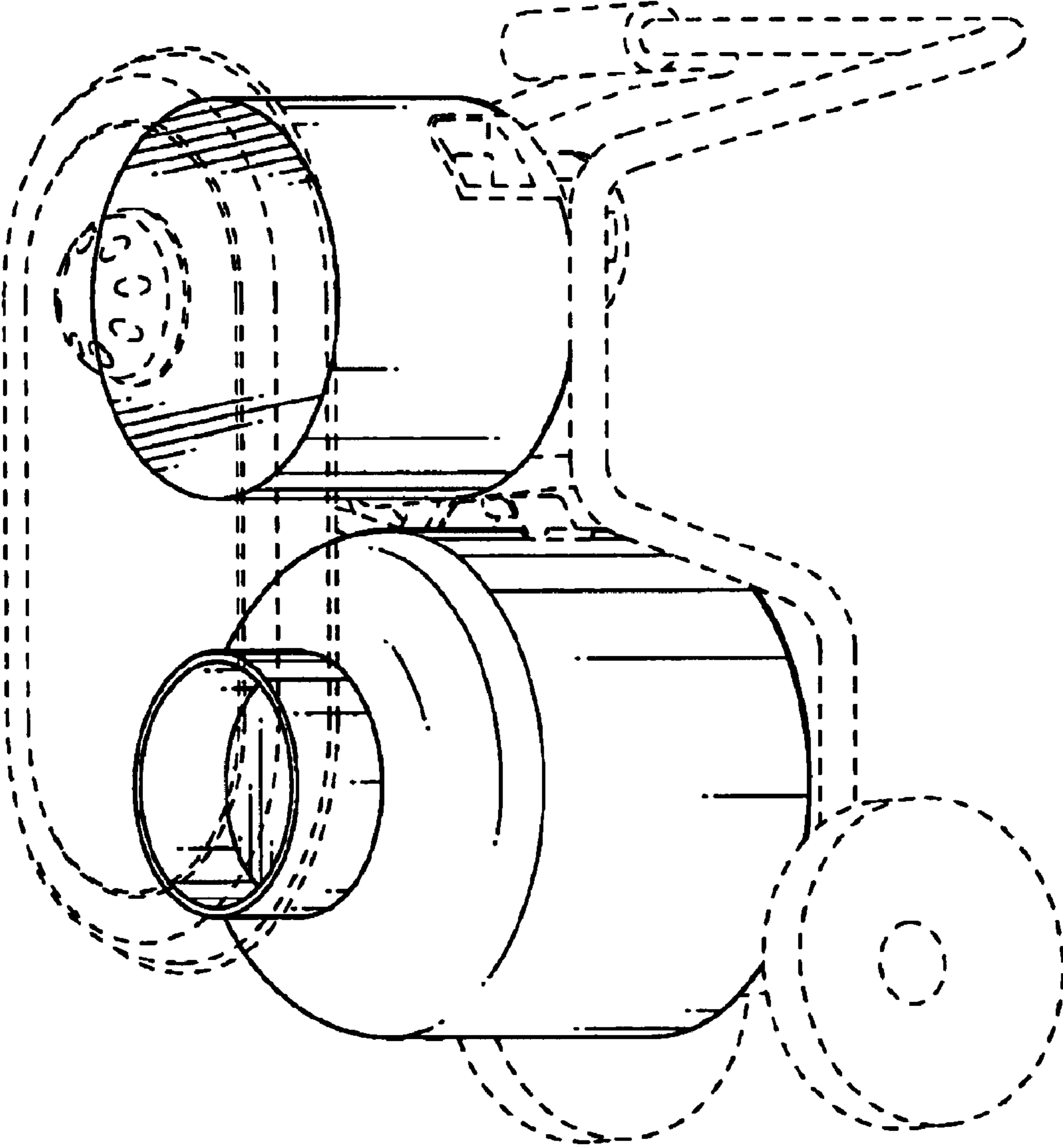


FIG. 1

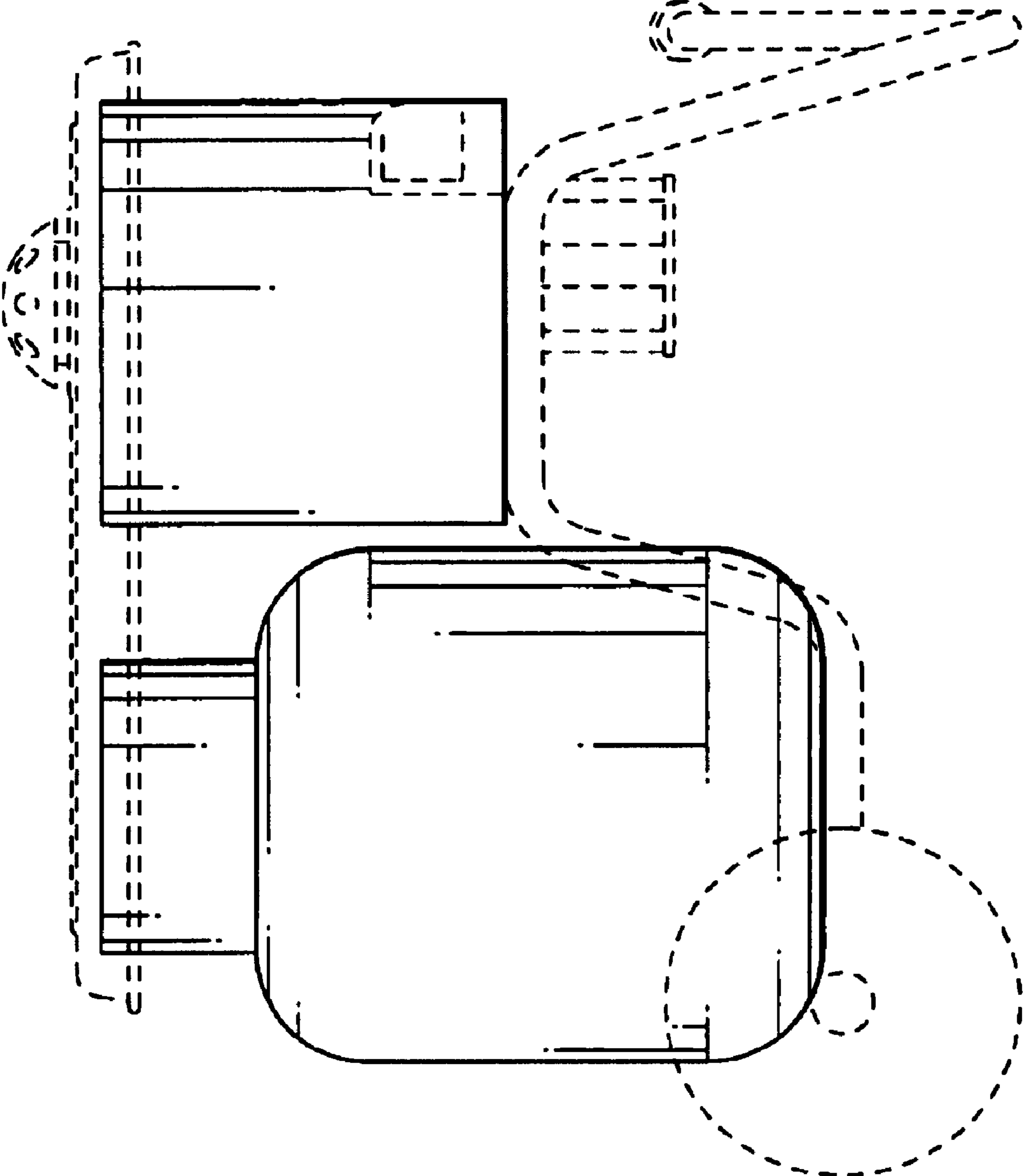


FIG. 2

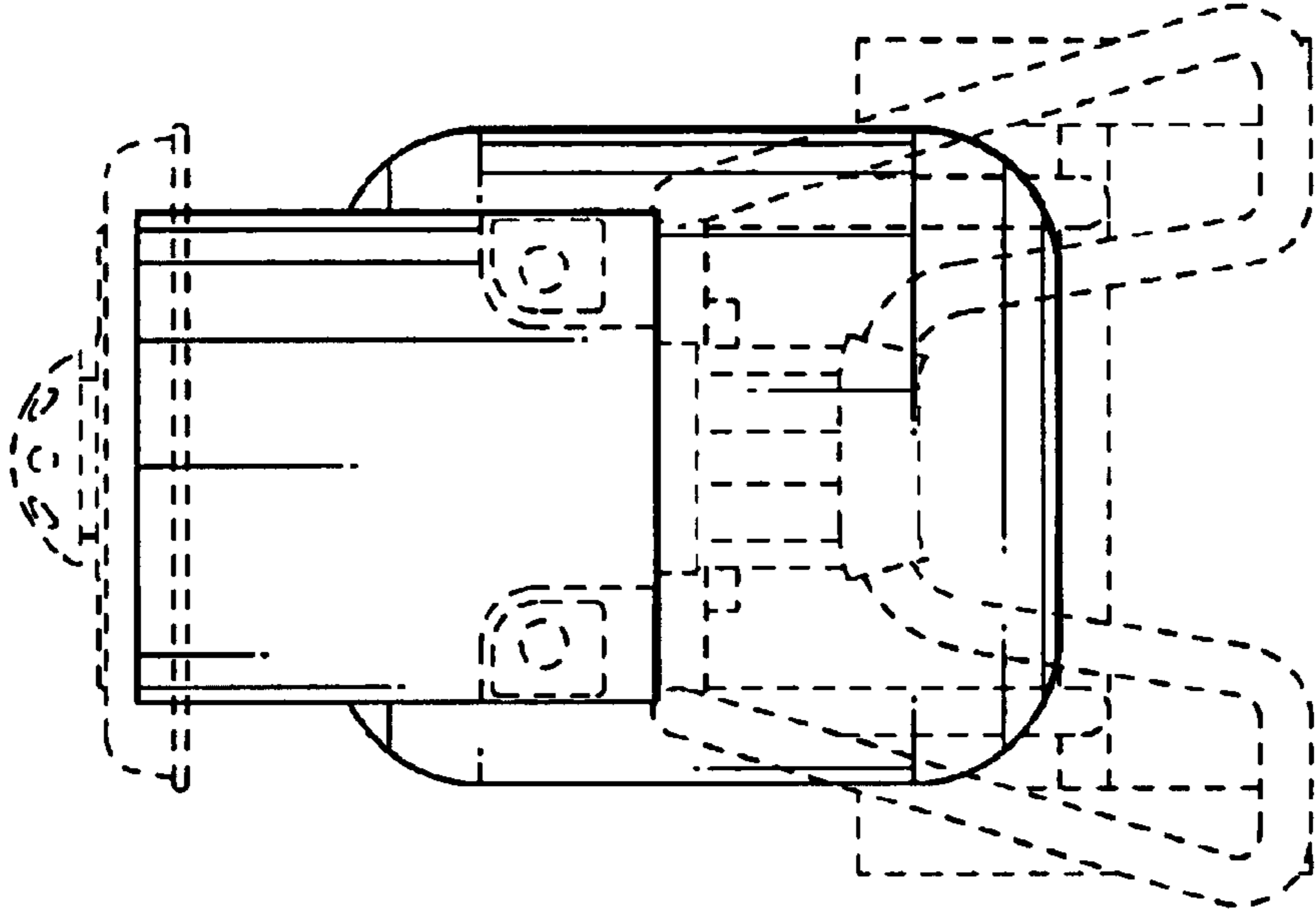


FIG. 3

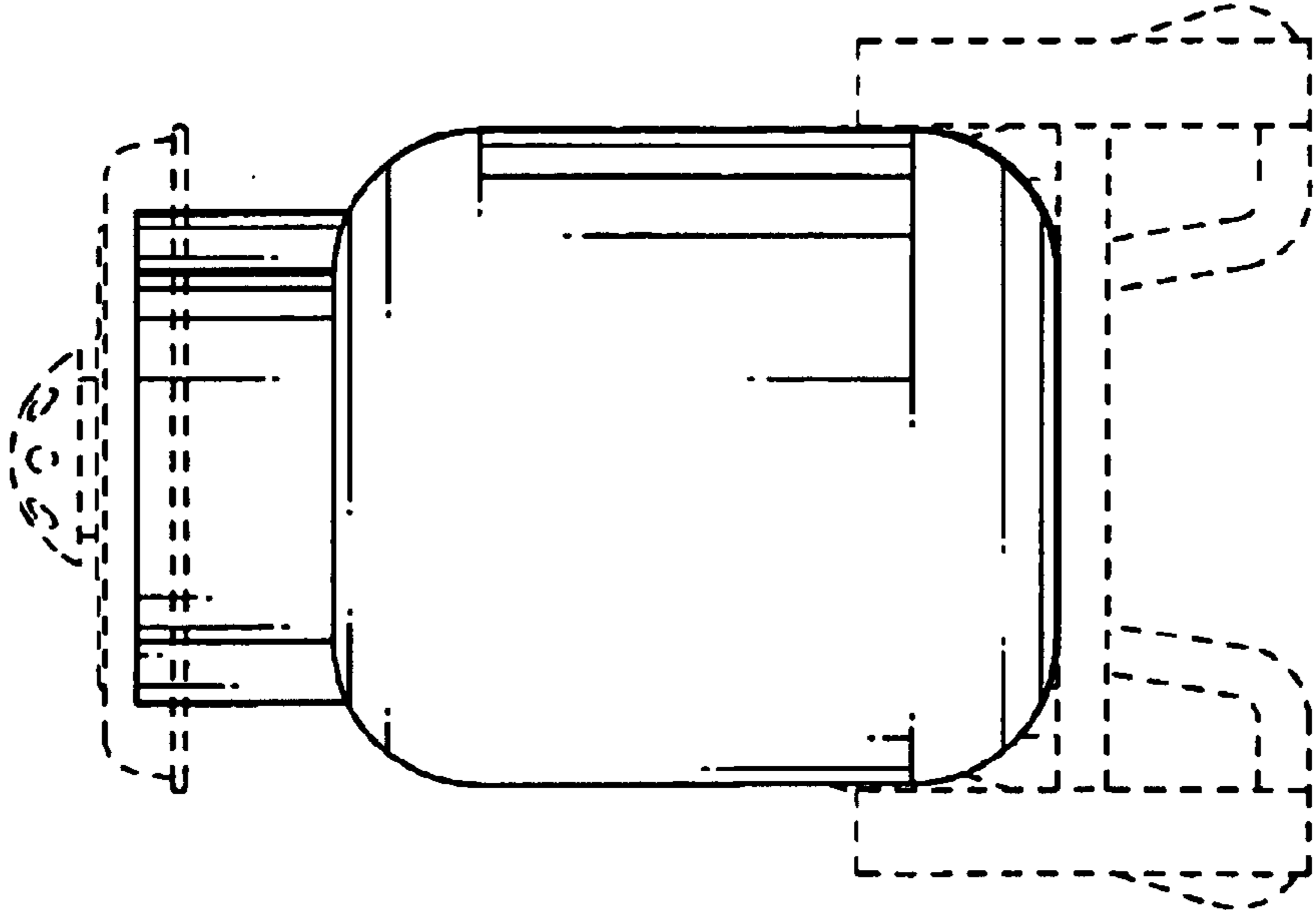


FIG. 4

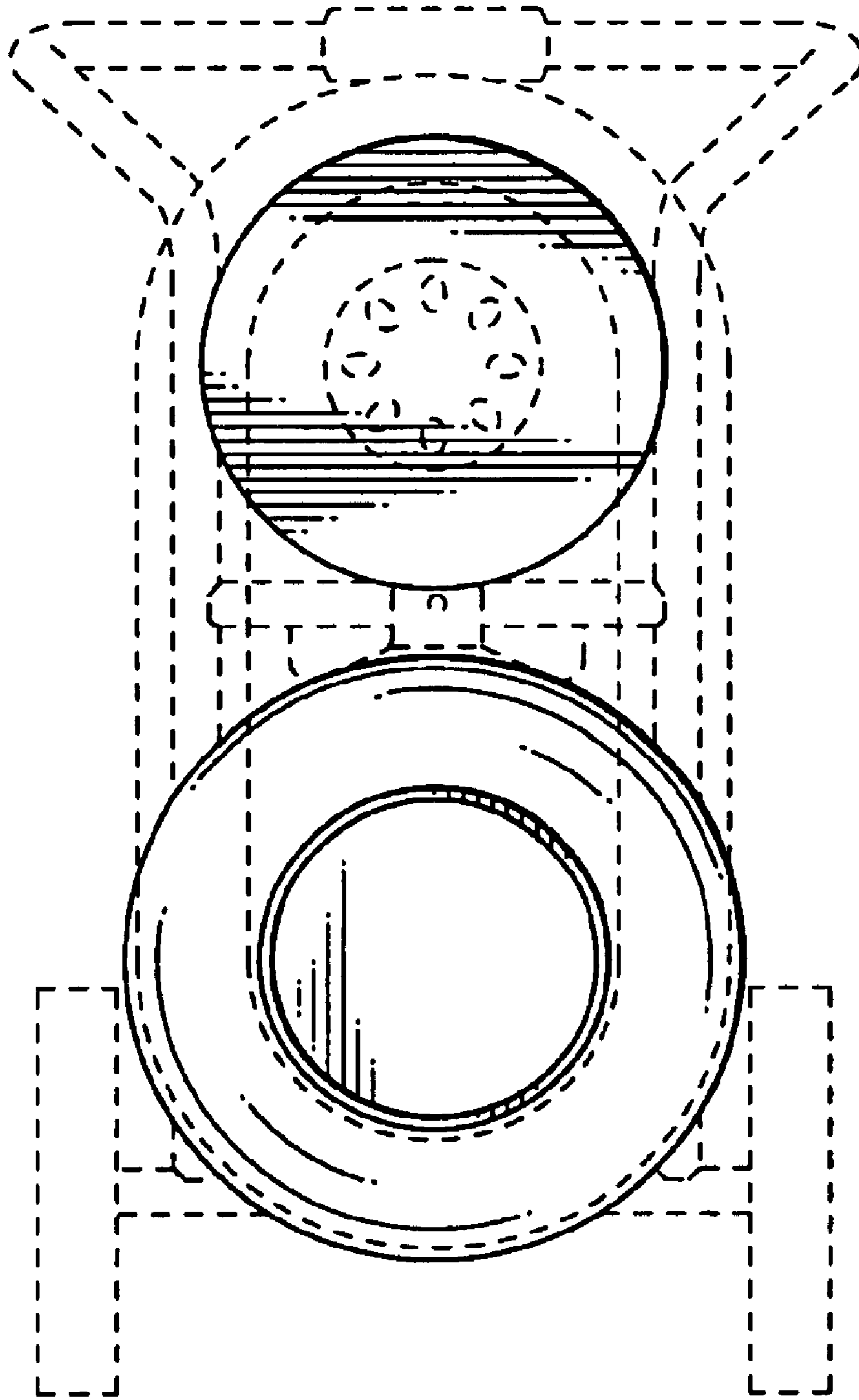


FIG. 5

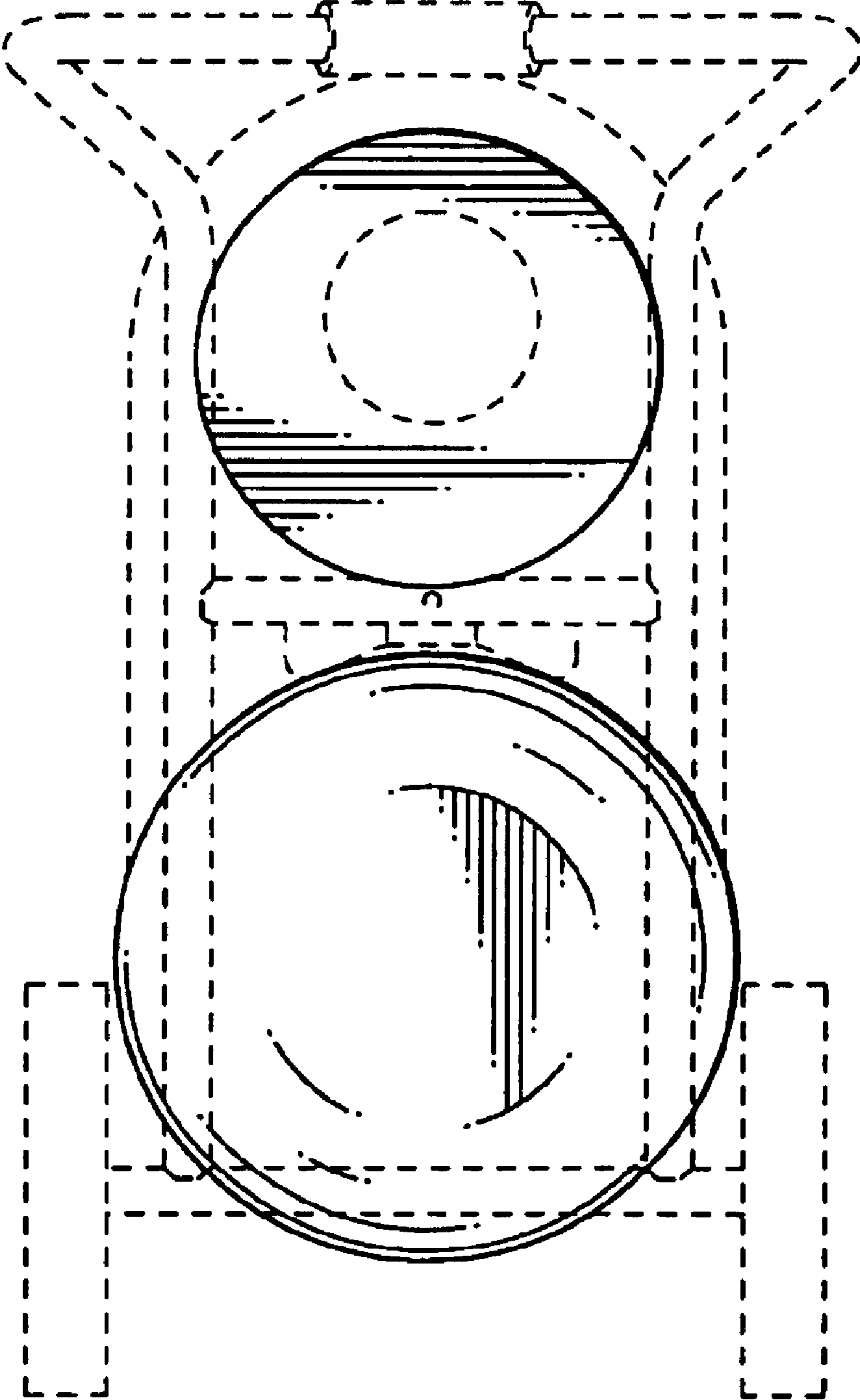


FIG. 6

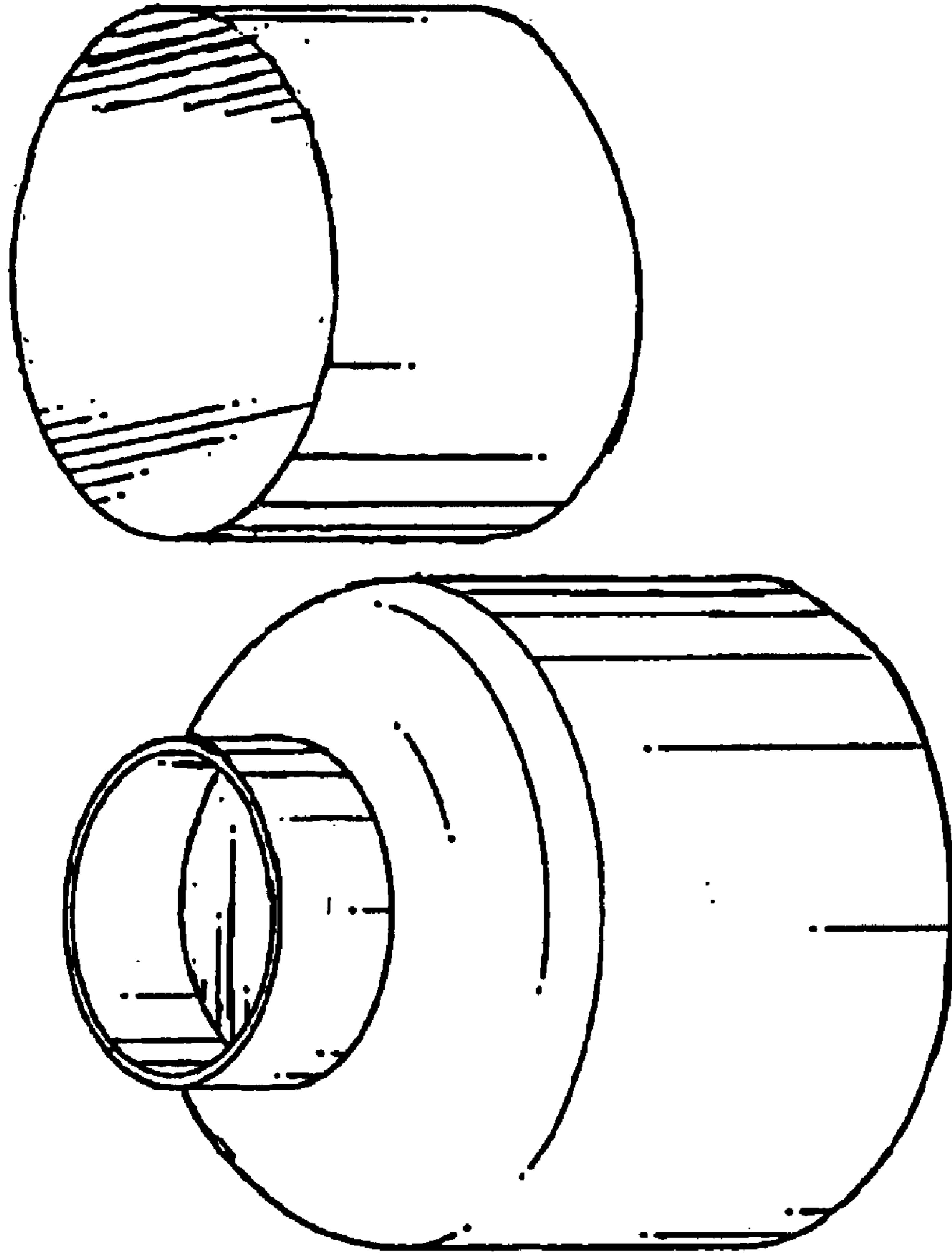


FIG. 7