

US00D496707S1

(12) **United States Design Patent** (10) **Patent No.:** **US D496,707 S**  
**Materkowski** (45) **Date of Patent:** **\*\* Sep. 28, 2004**

(54) **SELF-DEFENSE DEVICE**

(76) **Inventor:** **Stephen M. Materkowski**, 9571 Aspen La., Conifer, CO (US) 80433

(\*\*) **Term:** **14 Years**

(21) **Appl. No.:** **29/193,299**

(22) **Filed:** **Nov. 5, 2003**

(51) **LOC (7) Cl.** ..... **22-02**

(52) **U.S. Cl.** ..... **D22/117**

(58) **Field of Search** ..... D22/117; D3/207-208, D3/347, 348; 70/393, 402, 405, 406, 408, 395

(56) **References Cited**

**U.S. PATENT DOCUMENTS**

D304,063 S	*	10/1989	Story et al.	.....	D22/117
D357,051 S	*	4/1995	Strenkowski	.....	D22/117
D370,169 S	*	5/1996	Widen	.....	D8/347
5,784,910 A	*	7/1998	Eizen et al.	.....	70/395

\* cited by examiner

*Primary Examiner*—Catherine R. Oliver

(74) *Attorney, Agent, or Firm*—Timothy J. Martin; Michael R. Henson; Rebecca A. Gegick

(57) **CLAIM**

The ornamental design for a self-defense device.

**DESCRIPTION**

FIG. 1 is a front perspective view of a self-defense device showing a first exemplary embodiment of my new design;

FIG. 2 is a right end view in elevation of the self-defense device shown in FIG. 1;

FIG. 3 is a rear view in elevation of the self-defense device shown in FIG. 1;

FIG. 4 is a left end view in elevation of the self-defense device shown in FIG. 1;

FIG. 5 is a top plan view of the self-defense device shown in FIG. 1;

FIG. 6 is a front view in elevation of the self-defense device shown in FIG. 1;

FIG. 7 is a bottom plan view of the self-defense shown in FIG. 1;

FIG. 8 is a front perspective view of a self-defense device showing a second exemplary embodiment of my new design;

FIG. 9 is a right end view in elevation of the self-defense device shown in FIG. 8;

FIG. 10 is a rear view in elevation of the self-defense device shown in FIG. 8;

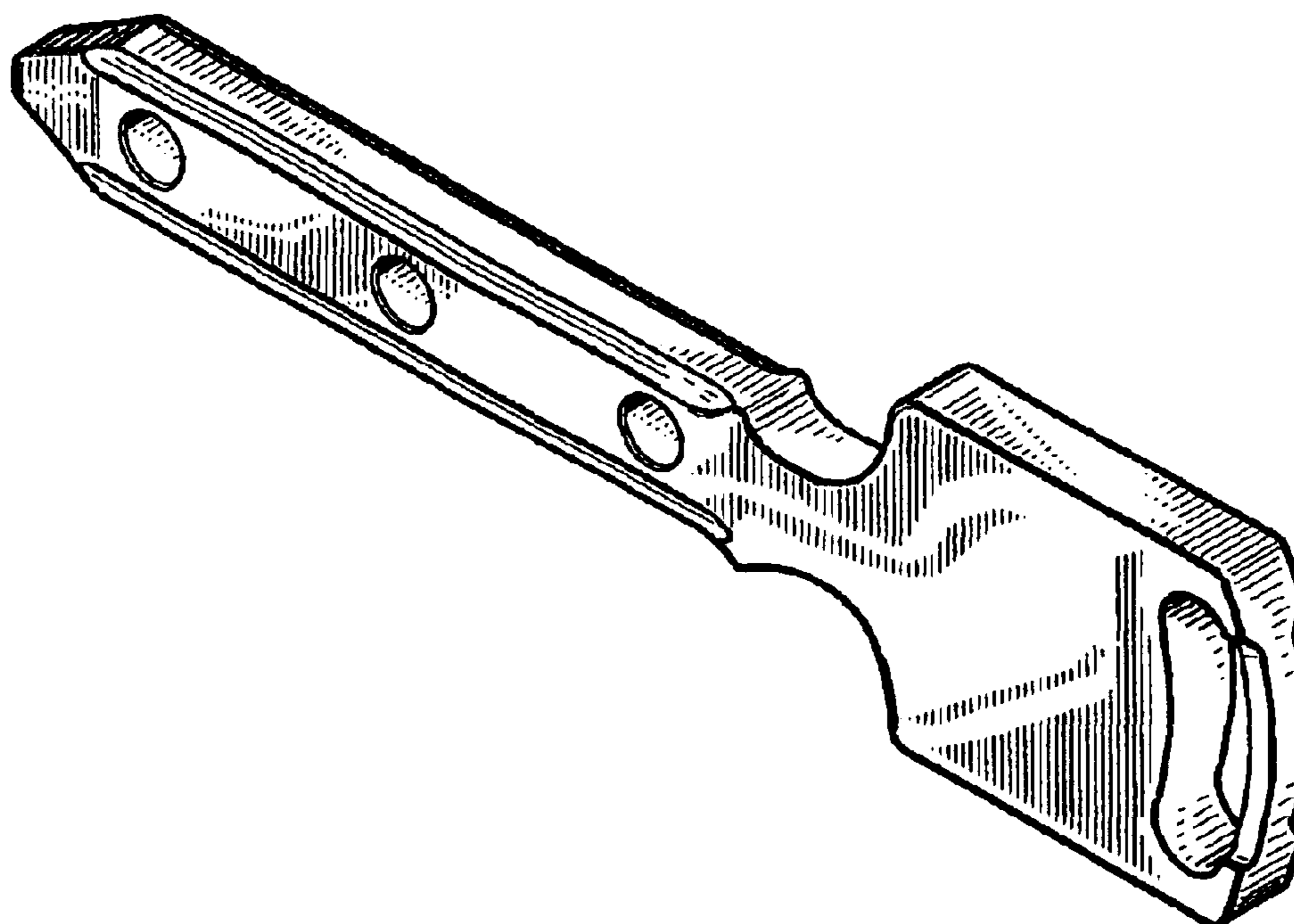
FIG. 11 is a left end view in elevation of the self-defense device shown in FIG. 8;

FIG. 12 is a top plan view of the self-defense device shown in FIG. 8;

FIG. 13 is a front view in elevation of the self-defense device shown in FIG. 8; and,

FIG. 14 is a bottom plan view of the self-defense shown in FIG. 8.

**1 Claim, 2 Drawing Sheets**



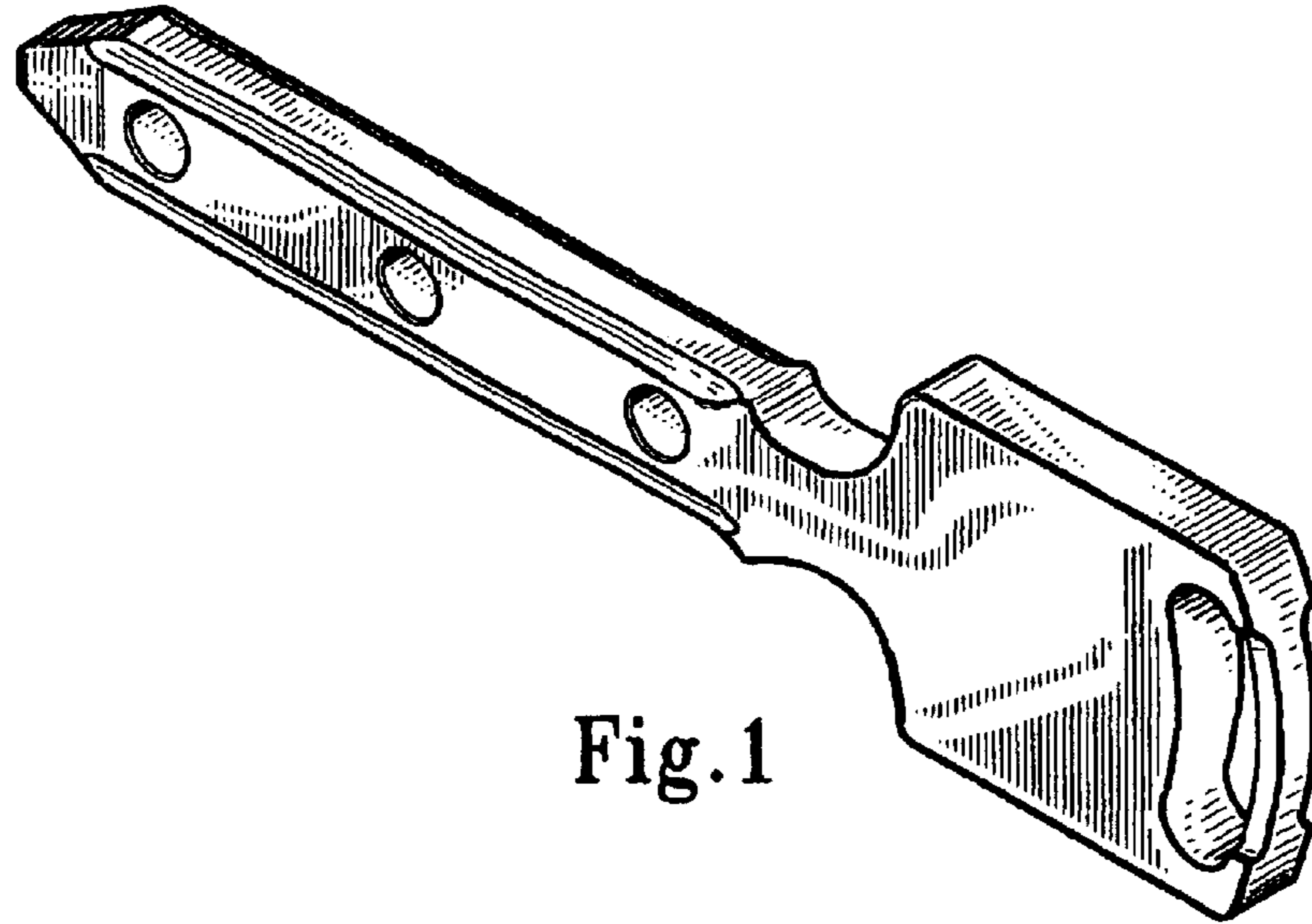


Fig. 1



Fig. 2

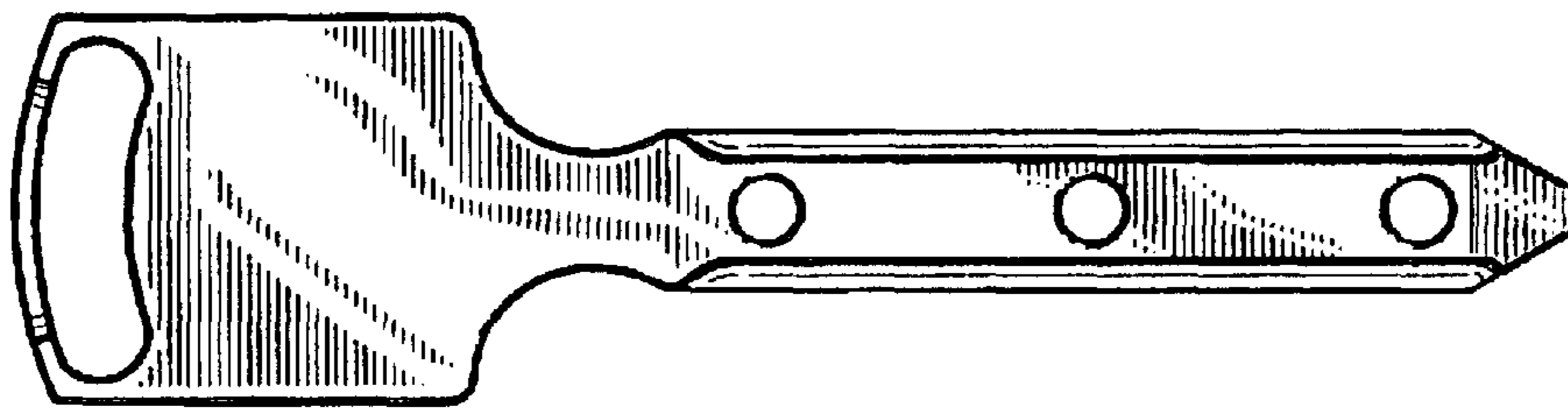


Fig. 3



Fig. 4

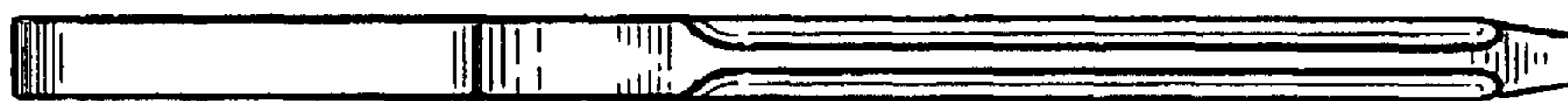


Fig. 5

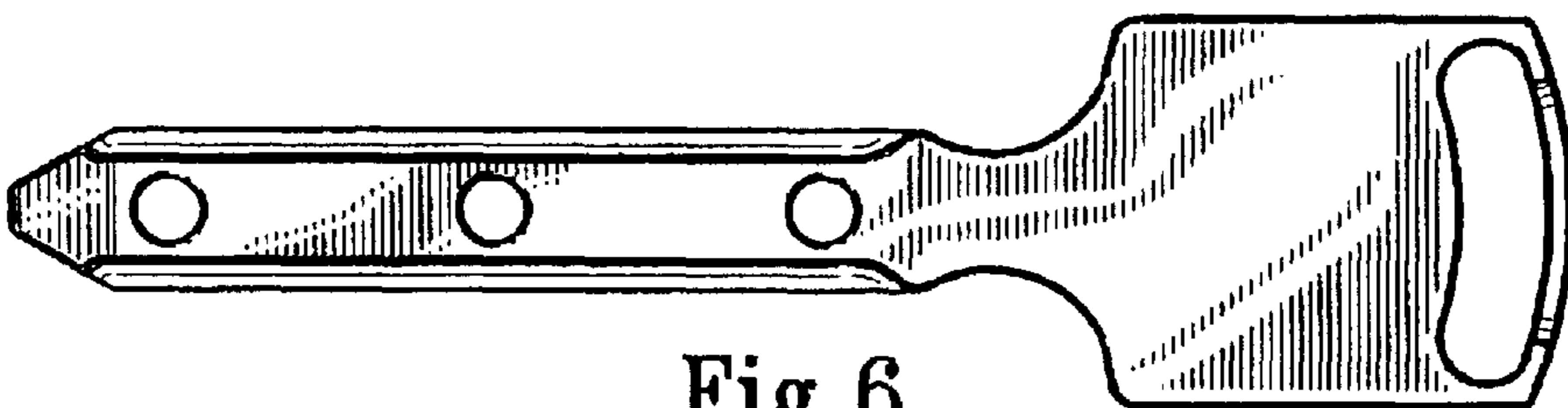


Fig. 6

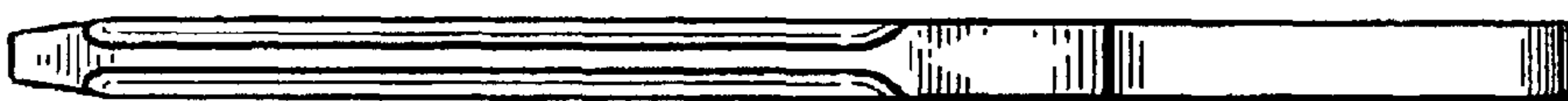


Fig. 7

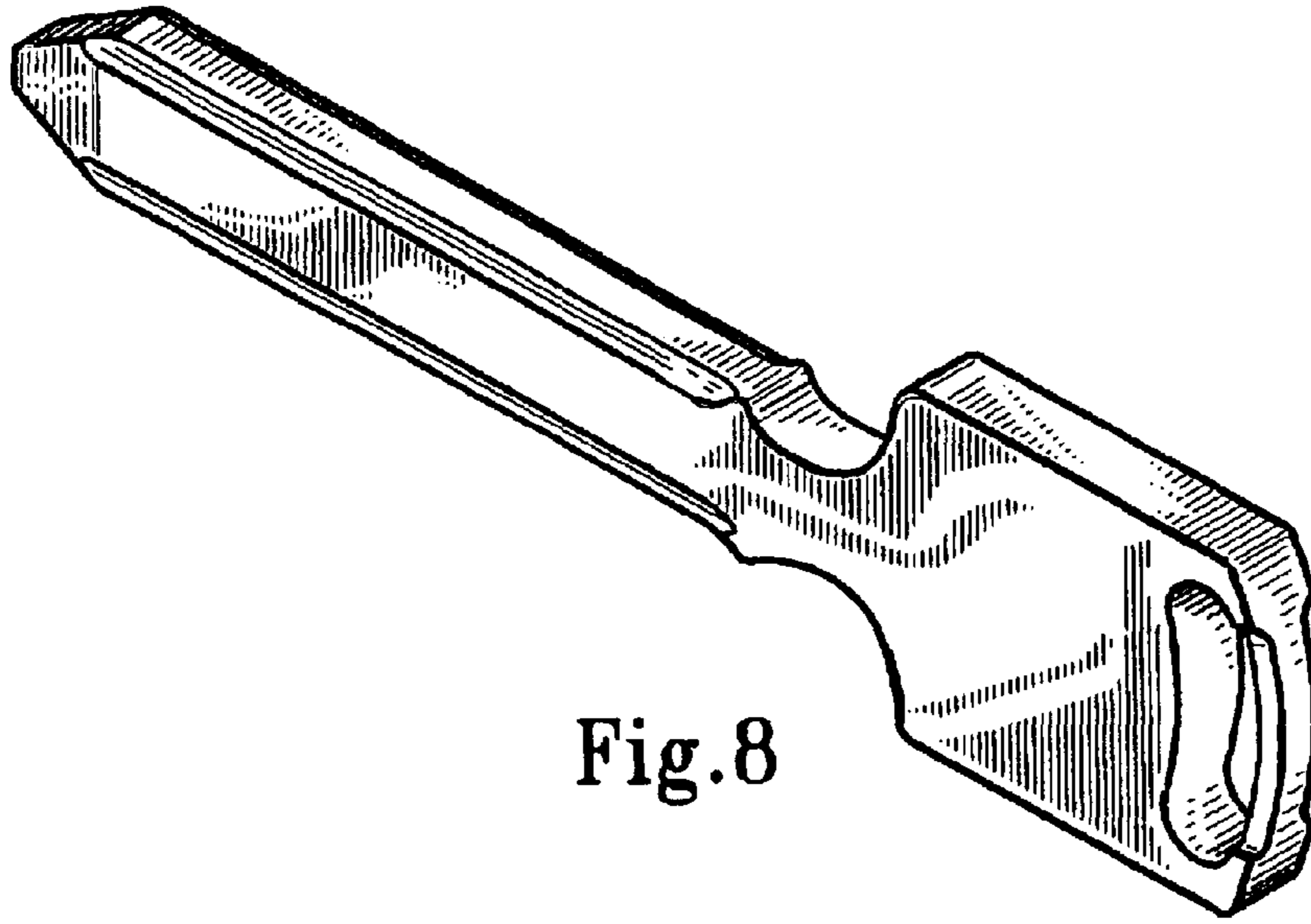


Fig. 8



Fig. 9

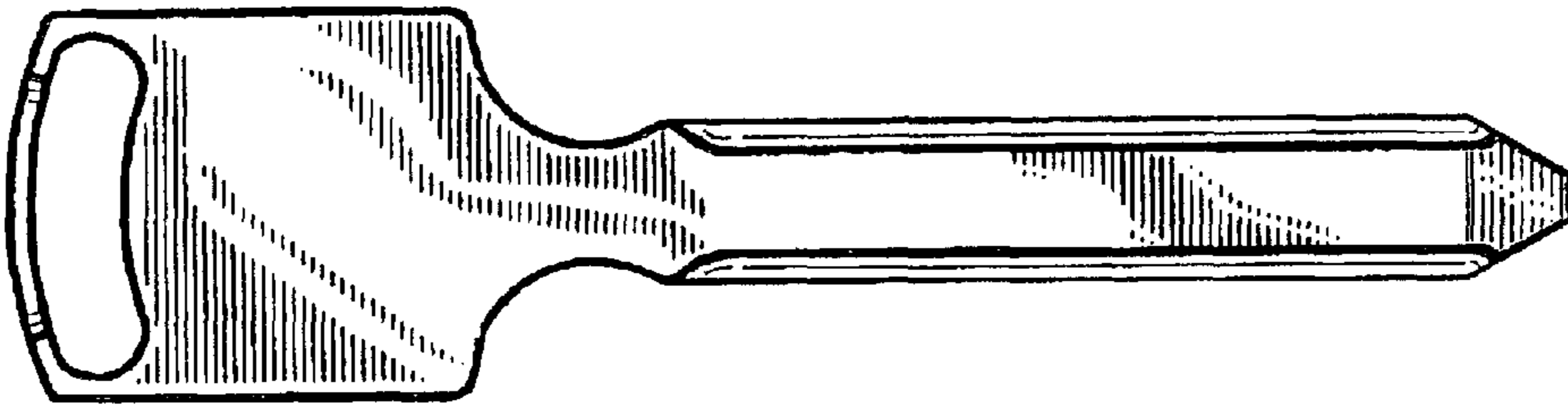


Fig. 10



Fig. 11

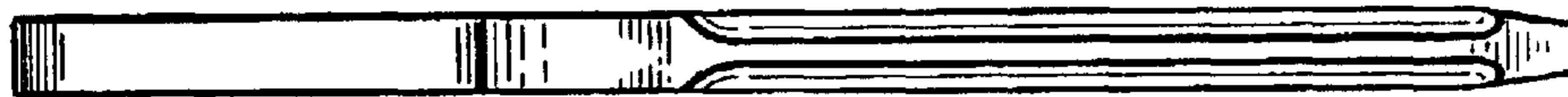


Fig. 12

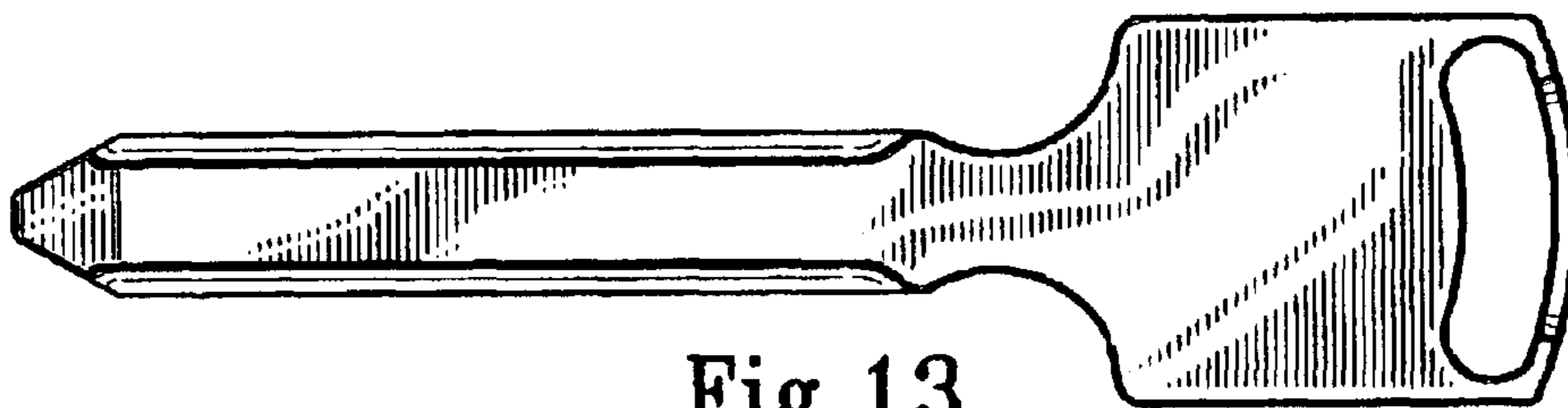


Fig. 13

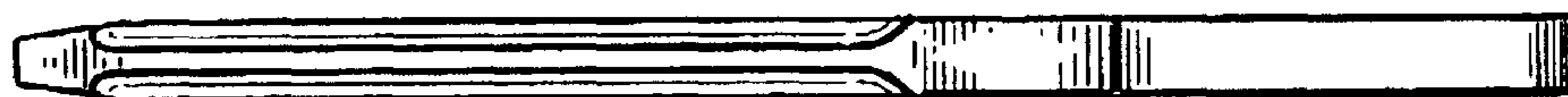


Fig. 14