

US00D496700S1

(12) **United States Design Patent**
Chen

(10) **Patent No.: US D496,700 S**

(45) **Date of Patent: ** Sep. 28, 2004**

(54) **TREADLING EXERCISER**

(76) **Inventor: Tsung-Yu Chen, 58, Ma Yuan West St., Taichung (TW)**

(**) **Term: 14 Years**

(21) **Appl. No.: 29/189,976**

(22) **Filed: Sep. 10, 2003**

(51) **LOC (7) Cl. 21-02**

(52) **U.S. Cl. D21/670; D21/668**

(58) **Field of Search D21/662, 663, D21/670, 668, 669; 482/51, 52, 53, 54, 57, 70, 79**

(56) **References Cited**

U.S. PATENT DOCUMENTS

D281,343 S	*	11/1985	Krive	D21/670
5,199,934 A	*	4/1993	Lin	482/79
5,230,674 A	*	7/1993	Terauds	482/52
5,263,910 A	*	11/1993	Yang	482/52
5,304,105 A	*	4/1994	Hsieh	482/53
D348,708 S	*	7/1994	Chen	D21/670
D349,542 S	*	8/1994	Russell	D21/670

5,348,520 A	*	9/1994	Chang	482/52
D456,052 S	*	4/2002	Steves	D21/670
D461,211 S	*	8/2002	Kuo	D21/670
D465,001 S	*	10/2002	Chiang-Chow	D21/670
D466,567 S	*	12/2002	Chen et al.	D21/670
D481,085 S	*	10/2003	Ben-Moshe	D21/670

* cited by examiner

Primary Examiner—Philip S. Hyder

(57) **CLAIM**

The ornamental design for a treadling exerciser, as shown and described.

DESCRIPTION

FIG. 1 is a perspective view of a treadling exerciser showing my design;

FIG. 2 is a front elevational view thereof;

FIG. 3 is a rear elevational view thereof;

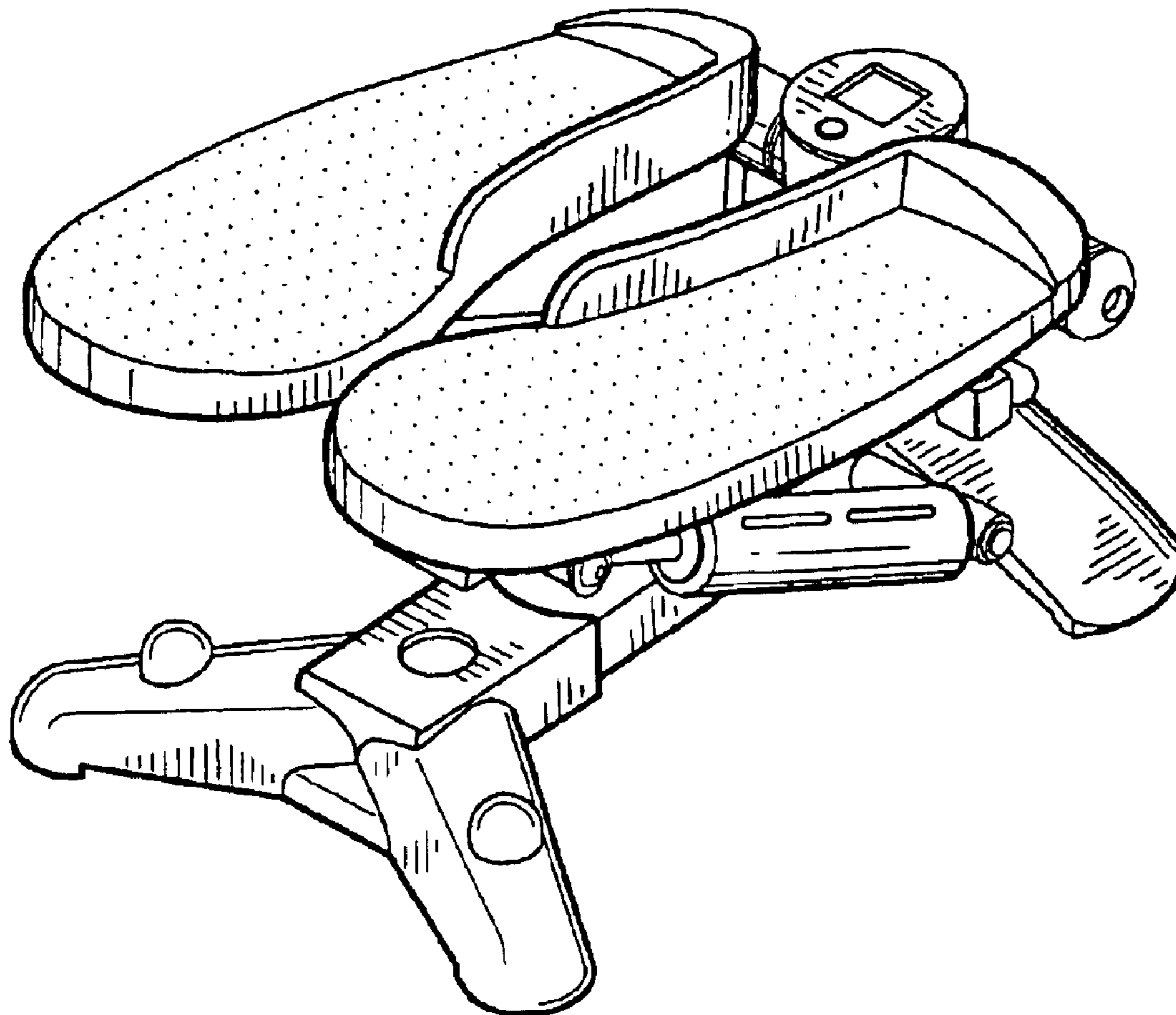
FIG. 4 is a left side elevational view thereof;

FIG. 5 is a right side elevational view thereof;

FIG. 6 is a top plan view thereof; and,

FIG. 7 is a bottom plan view thereof.

1 Claim, 4 Drawing Sheets



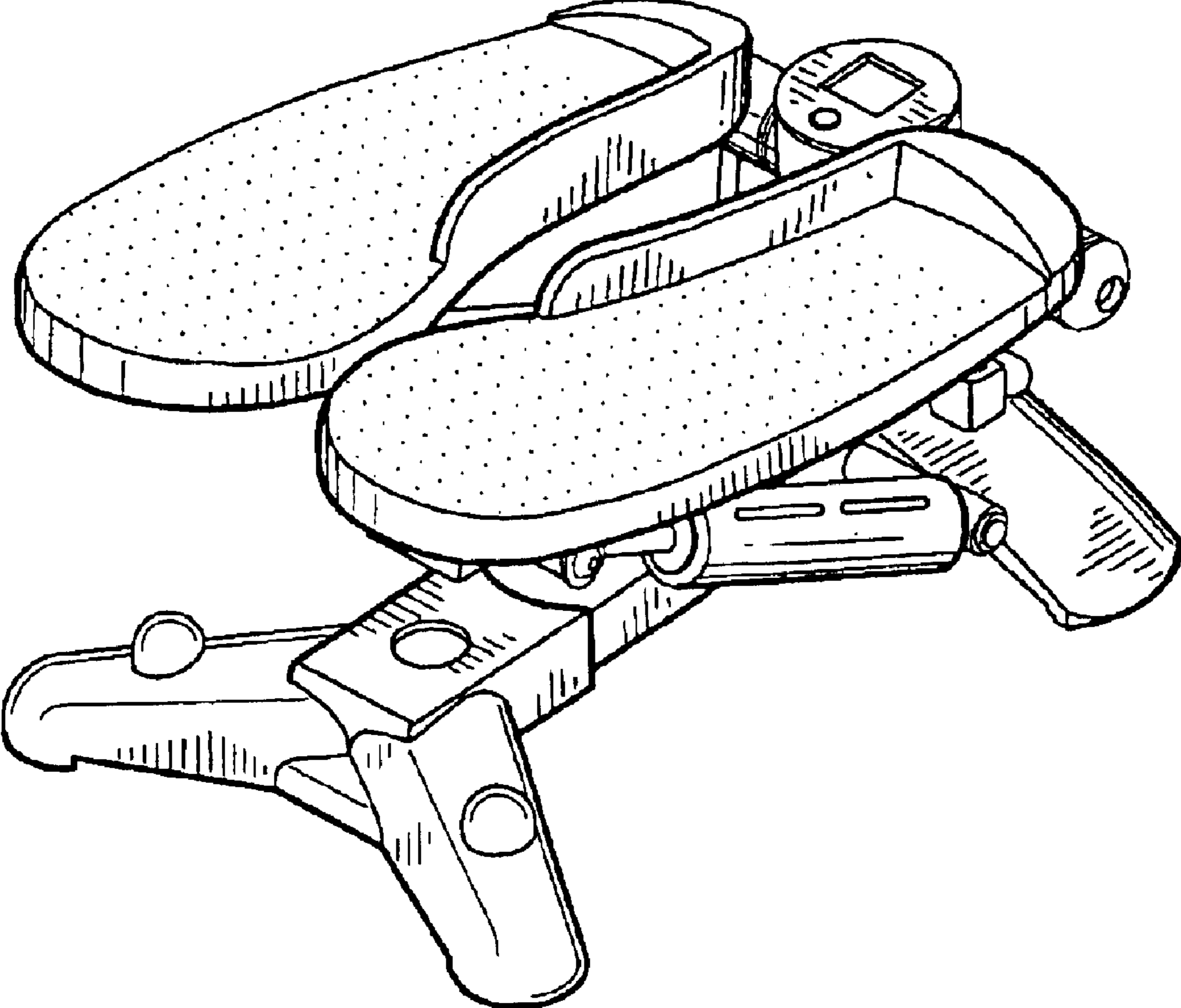


FIG. 1

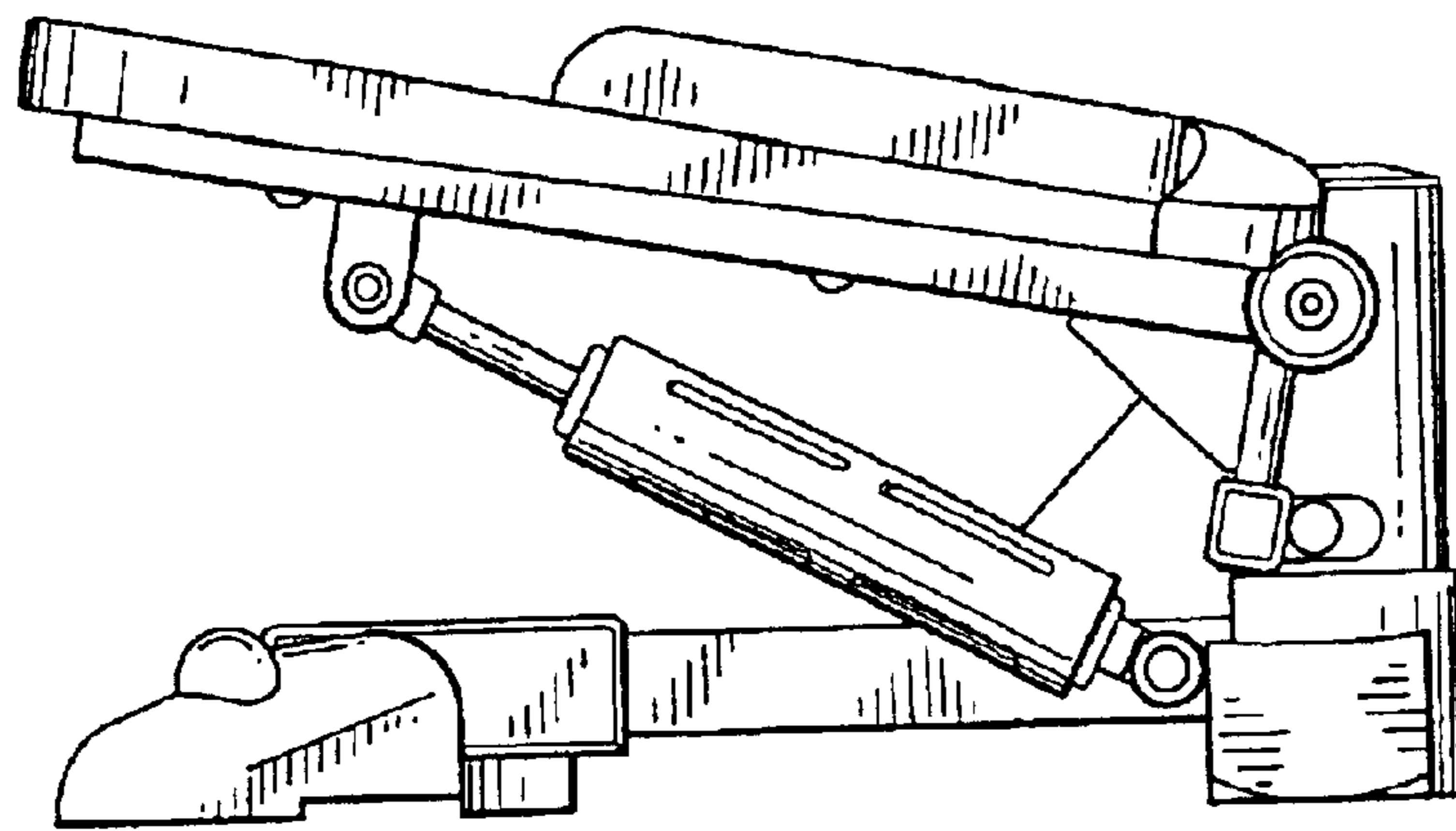


FIG. 2

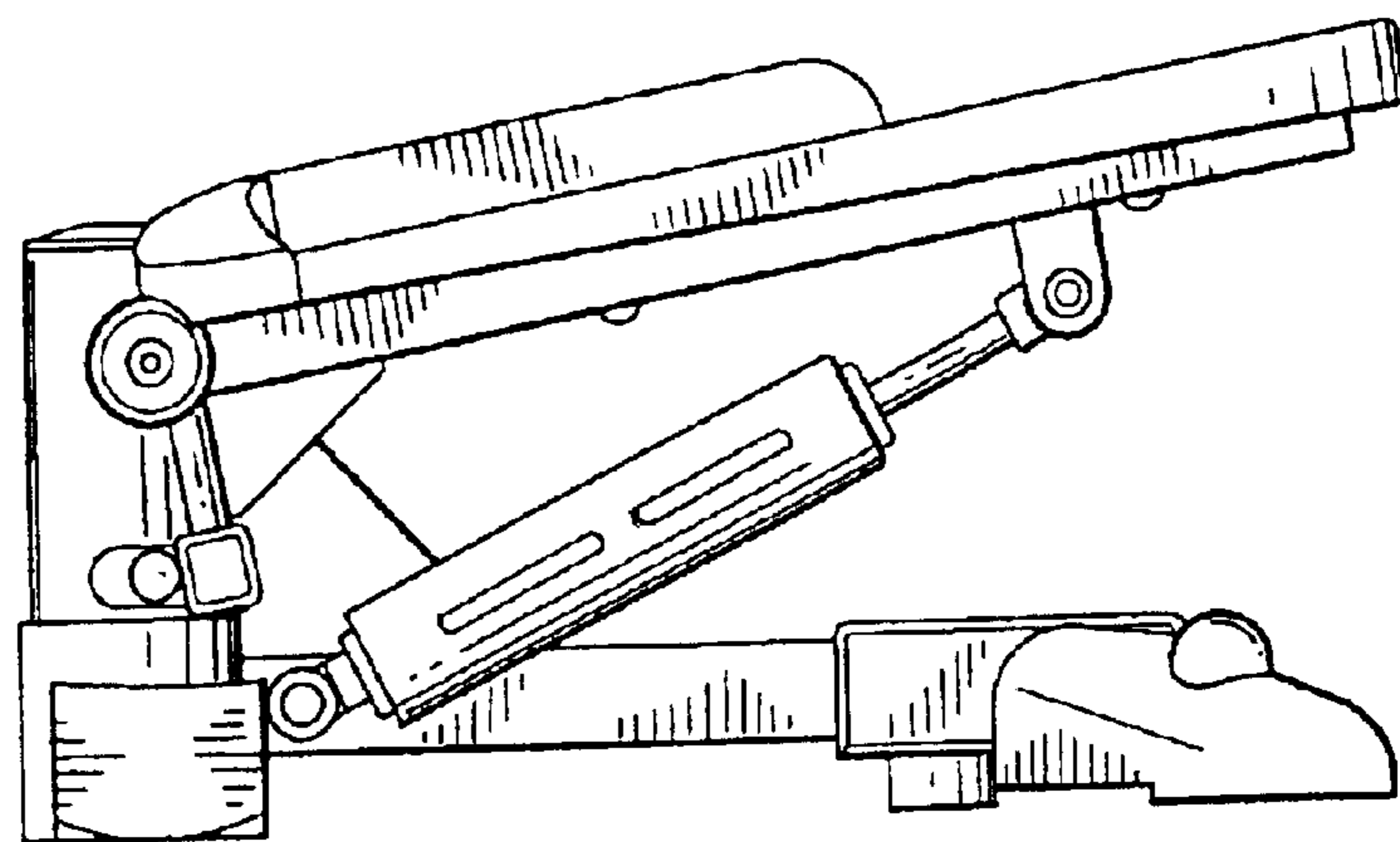


FIG. 3

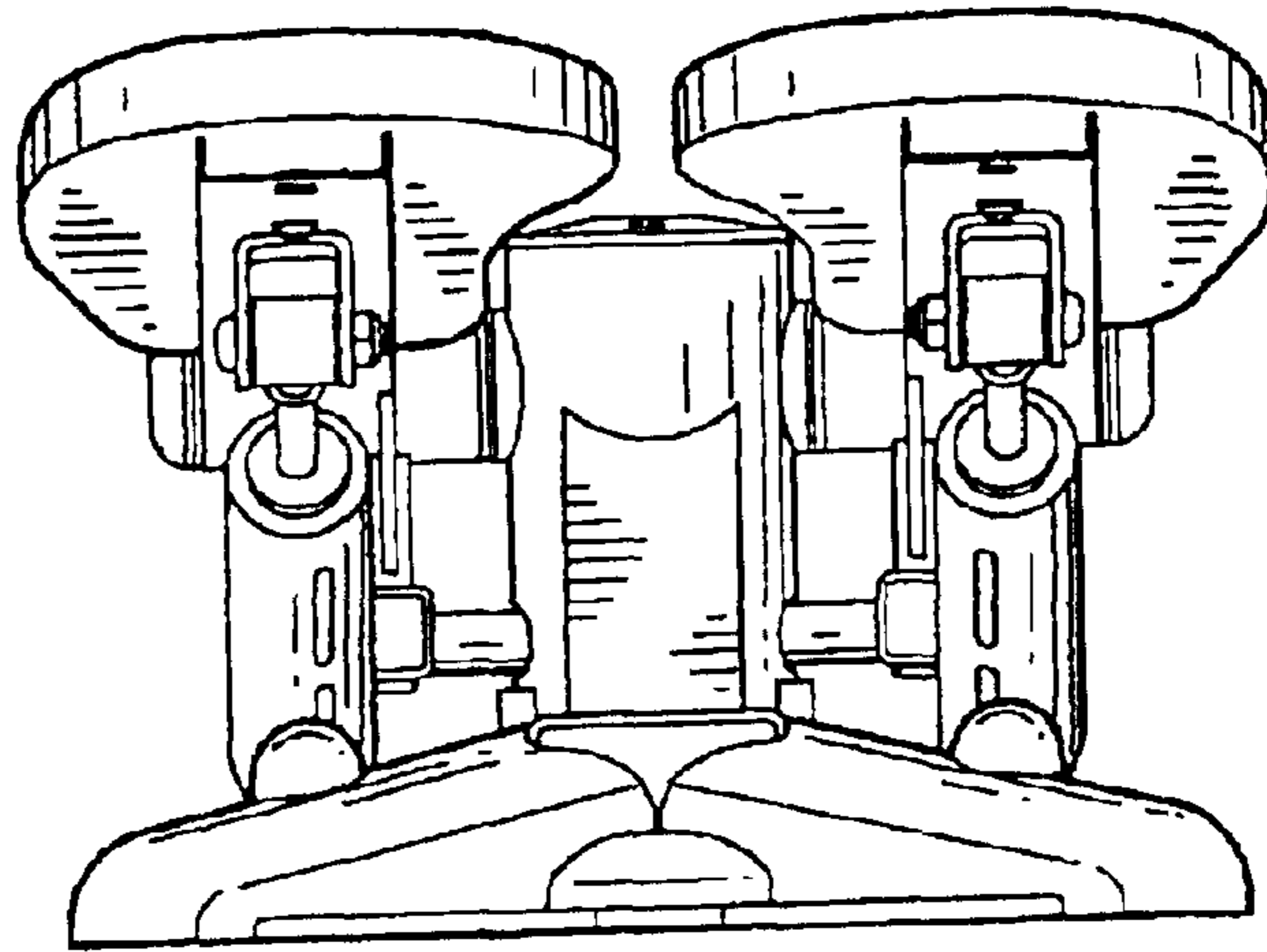


FIG. 4

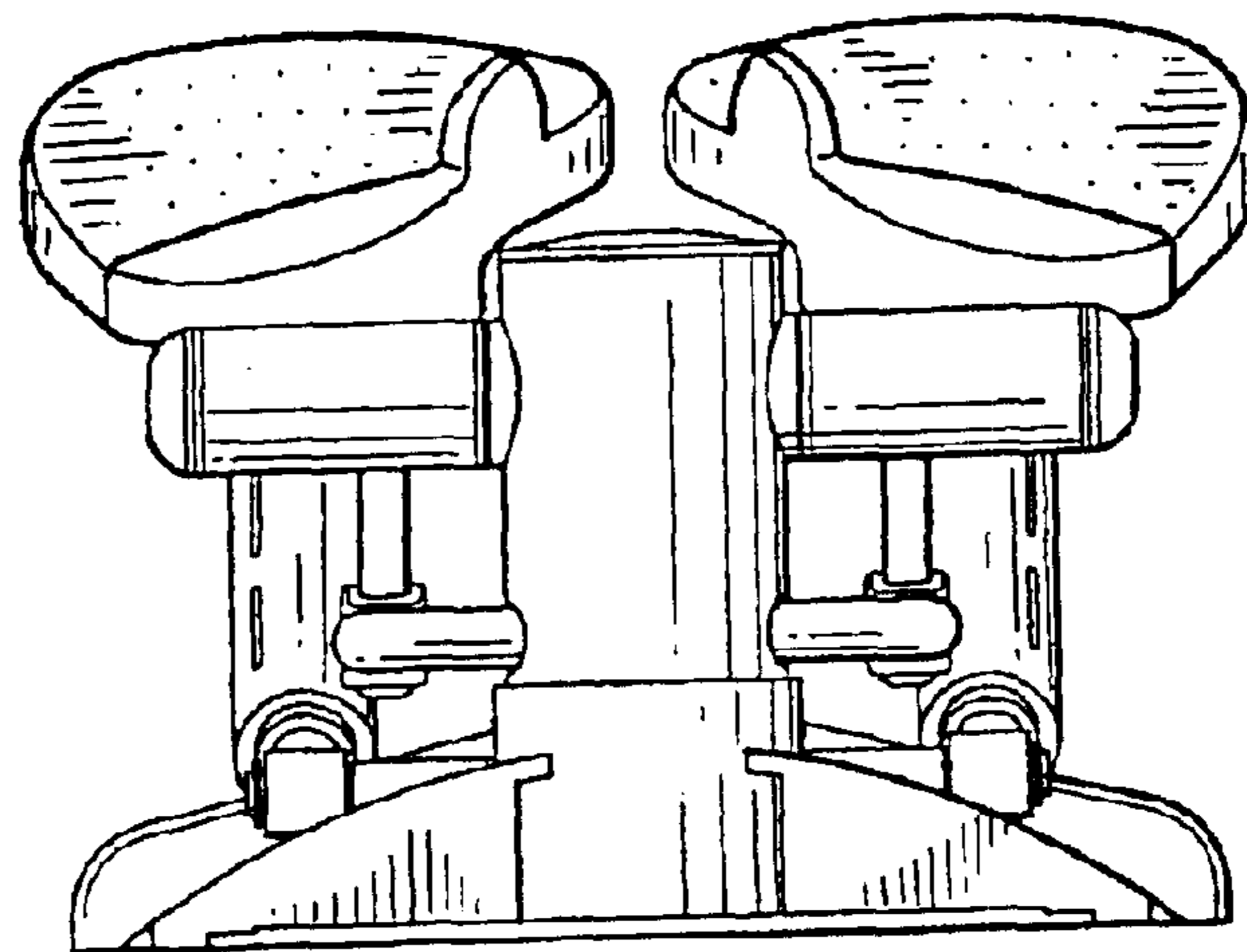


FIG. 5

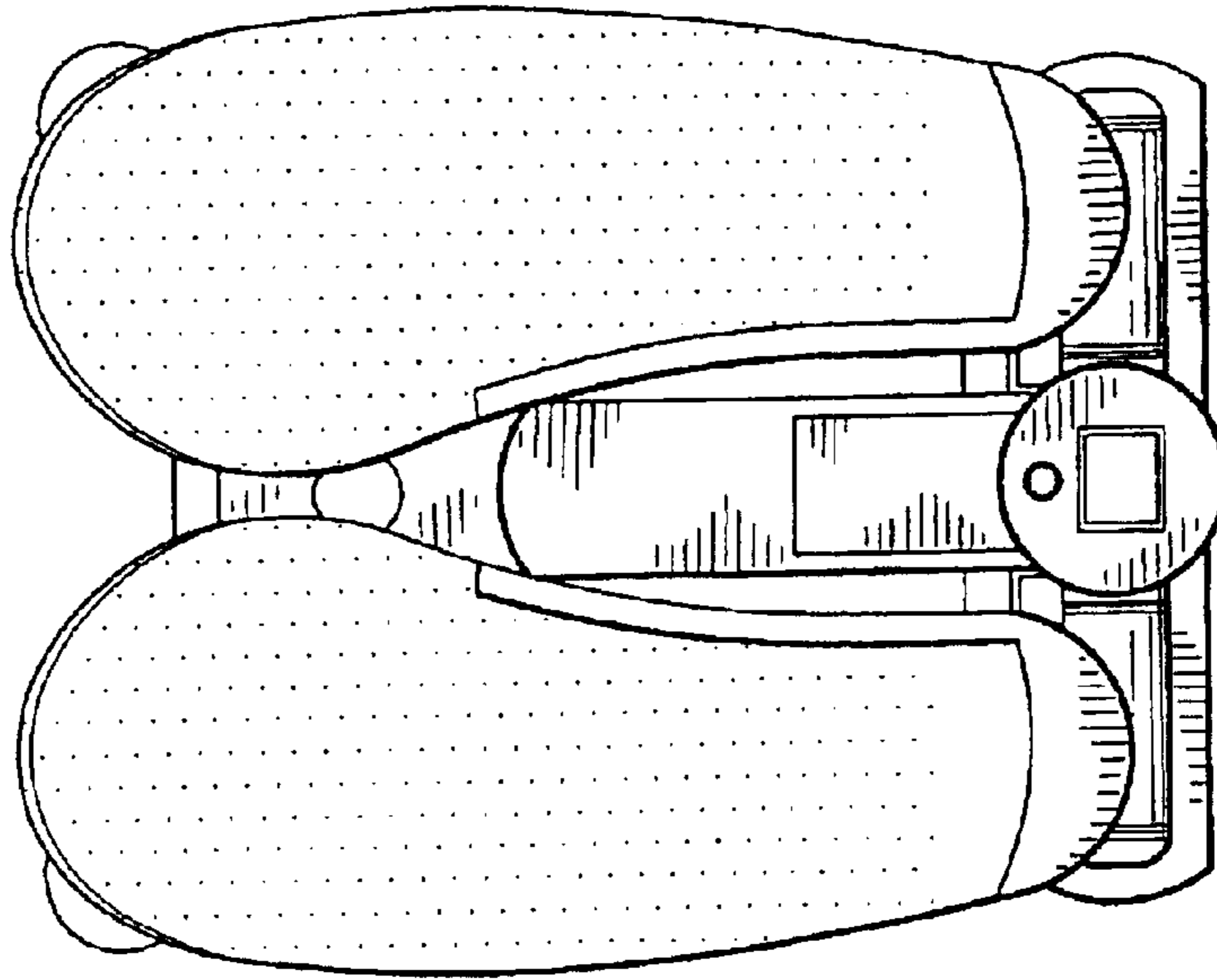


FIG. 6

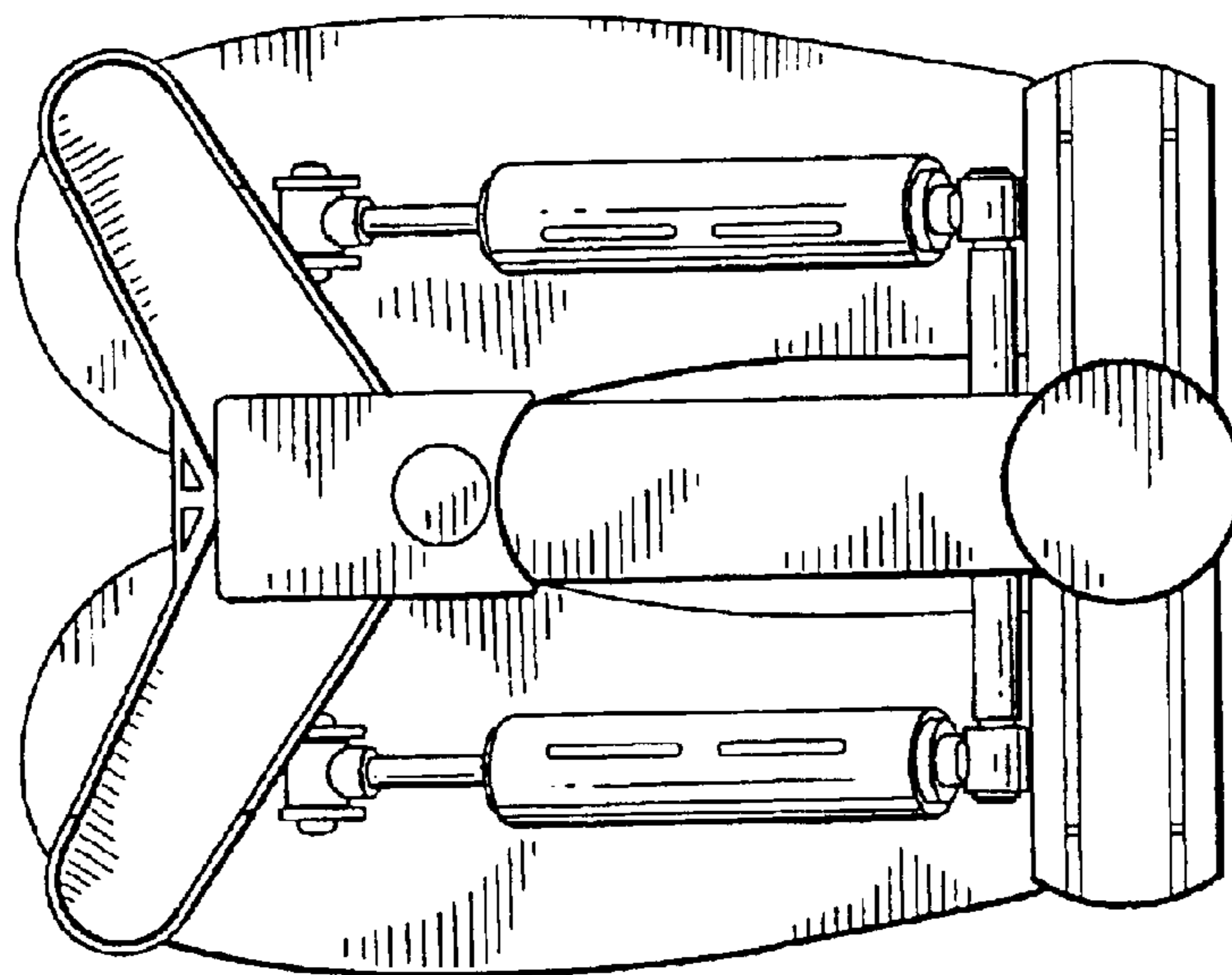


FIG. 7