

US00D496694S1

(12) **United States Design Patent** (10) **Patent No.:** **US D496,694 S**
Allemeier (45) **Date of Patent:** **** Sep. 28, 2004**

(54) **SURFACE CONFIGURATION OF A VEHICLE, TOY AND/OR OTHER REPLICAS**

(75) Inventor: **Tom Allemeier, Munich (DE)**

(73) Assignee: **Bayerische Motoren Werke Aktiengesellschaft, Munich (DE)**

(**) Term: **14 Years**

(21) Appl. No.: **29/193,932**

(22) Filed: **Nov. 18, 2003**

(30) **Foreign Application Priority Data**

May 19, 2003 (DE) 403 03 755

(51) **LOC (7) Cl.** **21-01**

(52) **U.S. Cl.** **D21/433**

(58) **Field of Search** D21/419-435,
D21/533, 548-551, 561-562; D12/16, 87-88;
446/424, 425, 428, 447, 456, 465, 470-471;
280/87.01, 87.021, 47.11, 1.13, 828

(56) **References Cited**

U.S. PATENT DOCUMENTS

3,902,739 A	*	9/1975	Kimura	280/828
D264,234 S	*	5/1982	Nakao et al.	D21/433
4,361,338 A	*	11/1982	Kuchenbecker et al.	280/828
D282,184 S	*	1/1986	Nakao et al.	D21/433
D345,717 S	*	4/1994	Molzon et al.	D12/16
D374,256 S	*	10/1996	Golling	D21/433
D404,087 S	*	1/1999	Larson	D21/433
D458,314 S	*	6/2002	Allemeier	D21/433

* cited by examiner

Primary Examiner—Raphael Barkai
(74) *Attorney, Agent, or Firm*—Crowell & Moring LLP

(57) **CLAIM**

The ornamental design for a surface configuration of a vehicle, toy and/or other replicas, as shown and described.

DESCRIPTION

FIG. 1 is a front, left perspective view of a surface configuration of a vehicle, toy and/or other replicas according to my novel design, the front, right perspective view being mirror symmetrical;

FIG. 2 is a rear, right perspective view of the surface configuration of a vehicle, toy and/or other replicas according to my novel design, the rear, left perspective view being mirror symmetrical;

FIG. 3 is a left side view of the surface configuration of a vehicle, toy and/or other replicas according to my novel design, the right side view being mirror symmetrical;

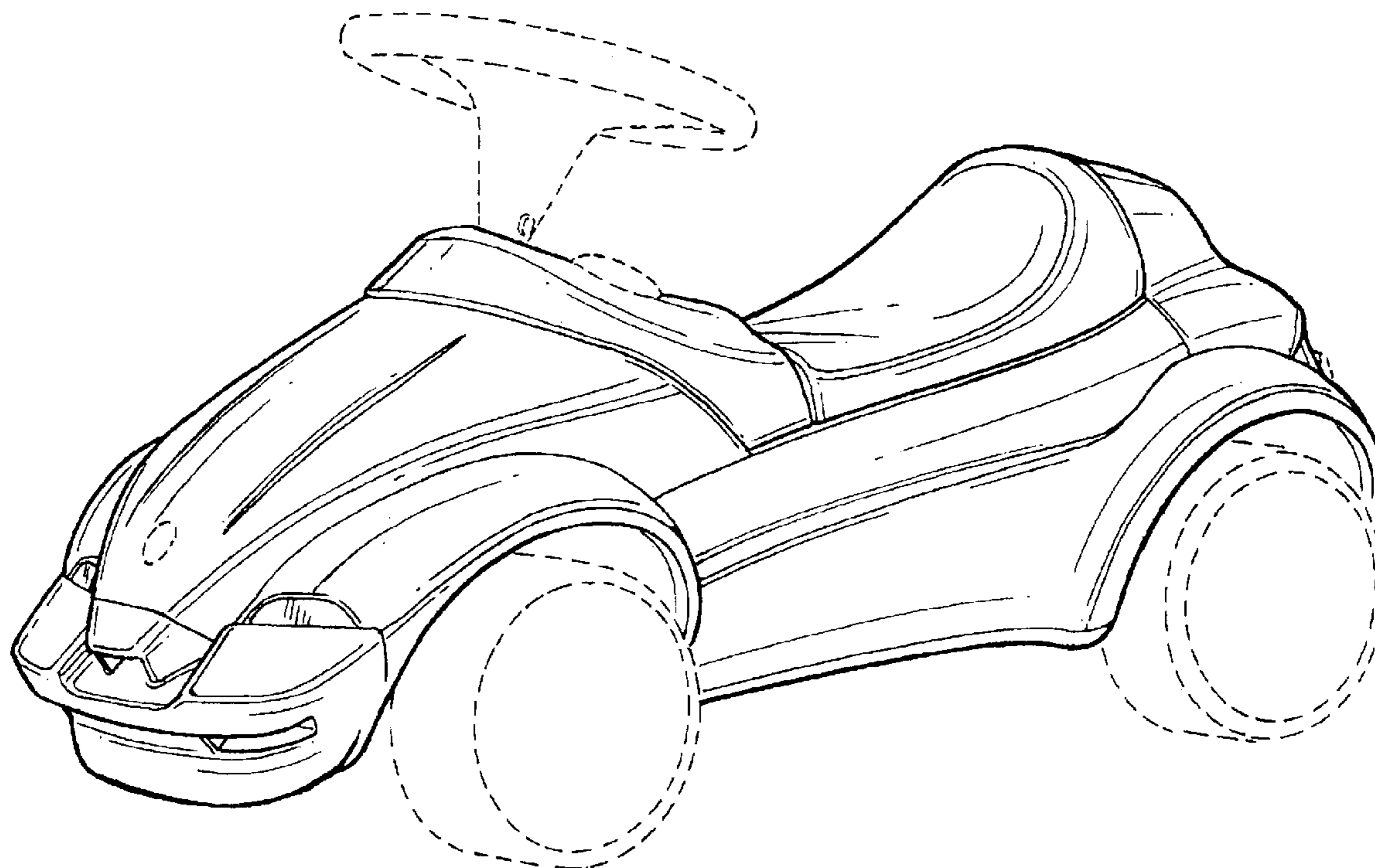
FIG. 4 is a front view of the surface configuration of a vehicle, toy and/or other replicas according to my novel design;

FIG. 5 is a rear view of the surface configuration of a vehicle, toy and/or other replicas according to my novel design; and,

FIG. 6 is a top view of the surface configuration of a vehicle, toy and/or other replicas according to my novel design.

The broken lines are for illustrative purposes only and form no part of the claimed design. Also enclosed is a set of photographs of an embodiment of my invention.

1 Claim, 5 Drawing Sheets



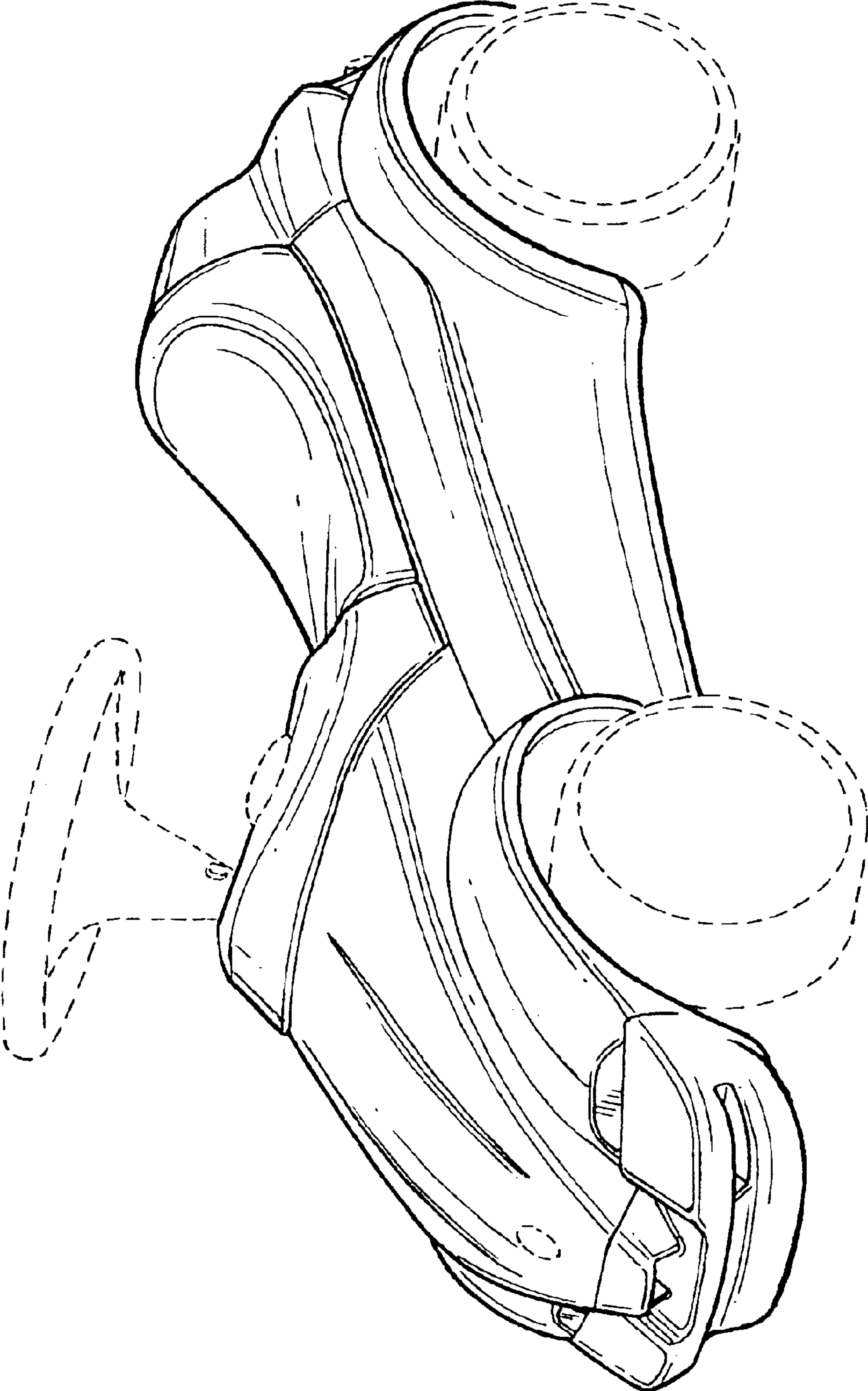


FIG. 1

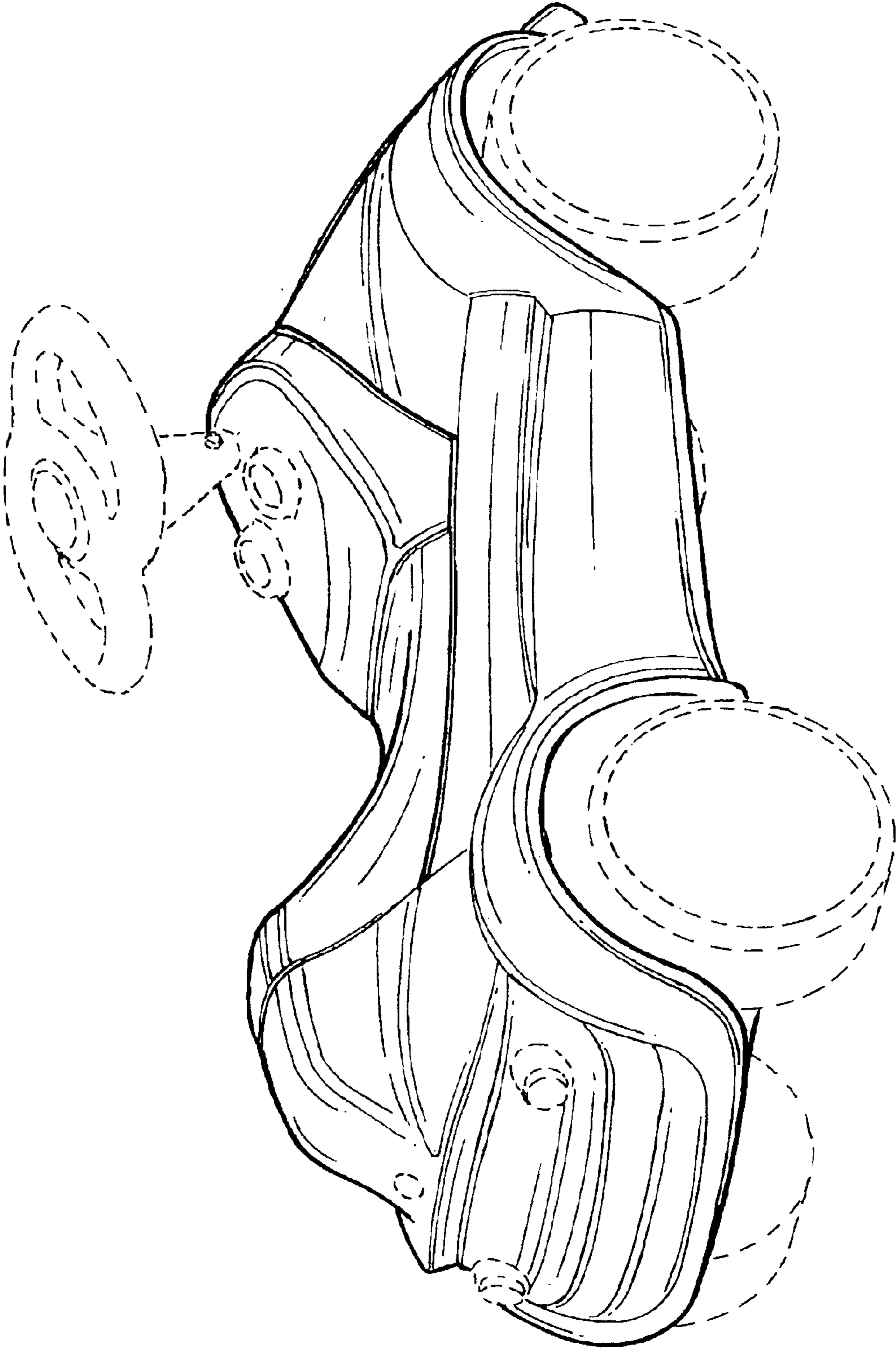


FIG. 2

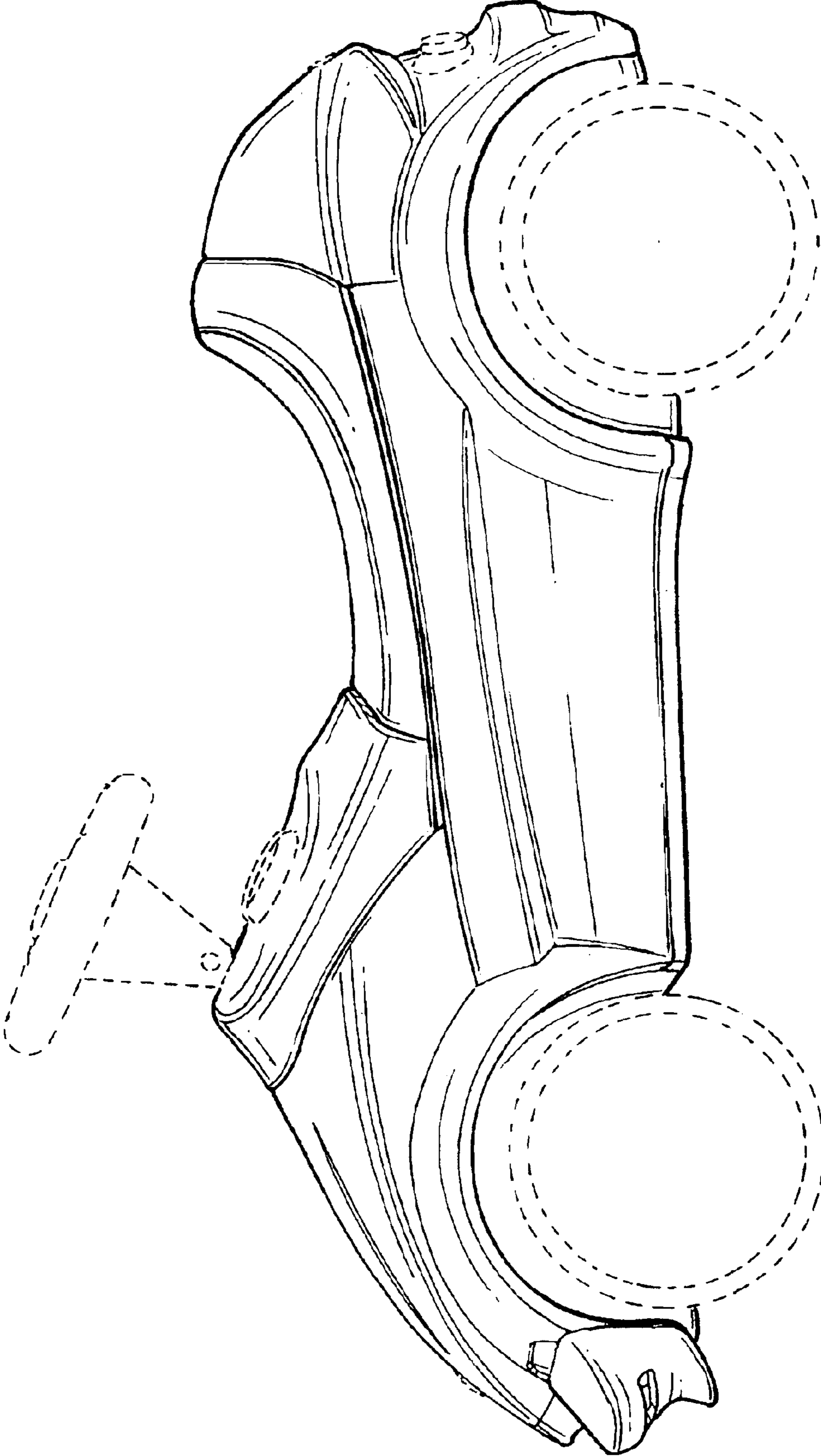


FIG. 3

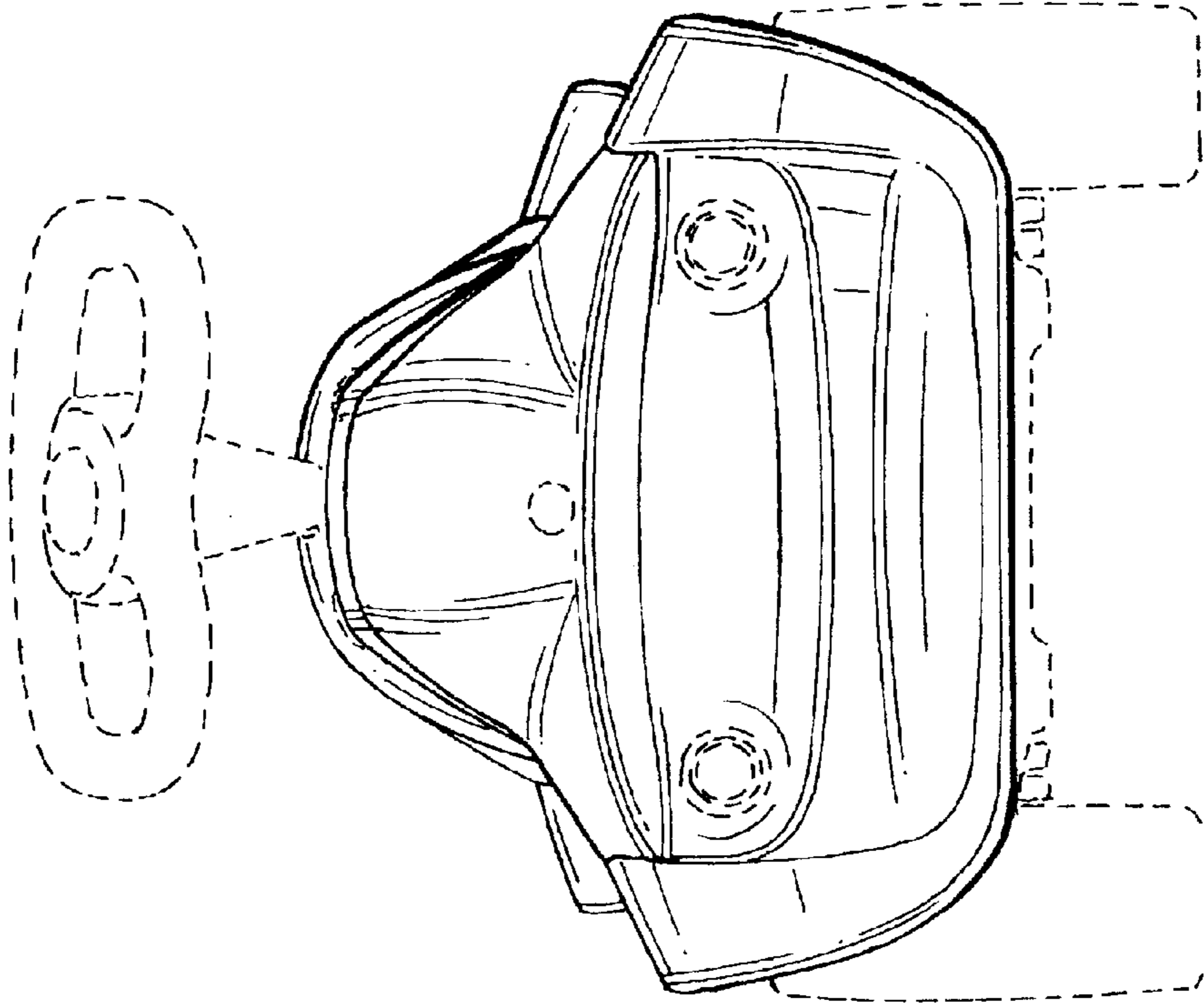


FIG. 5

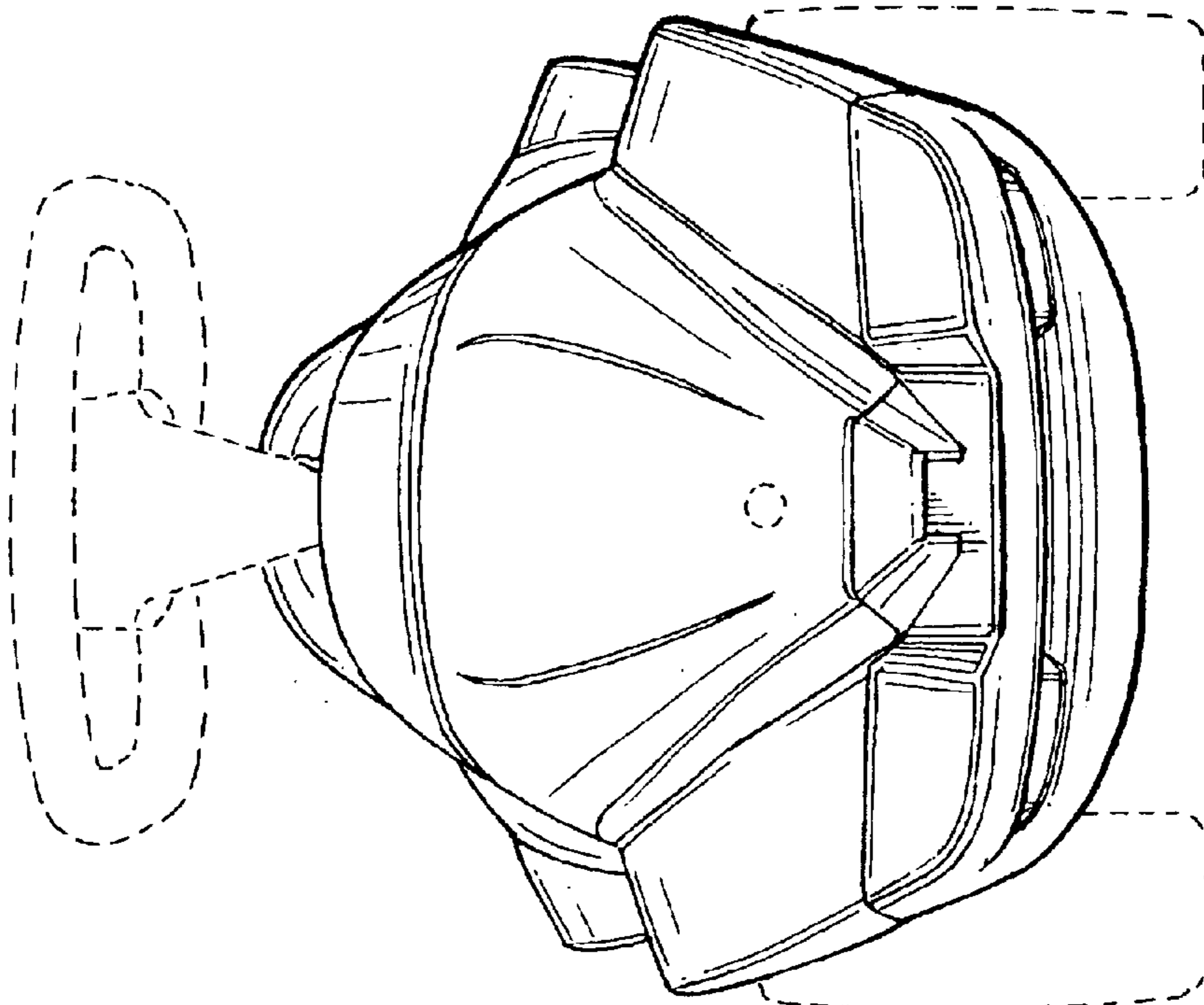


FIG. 4

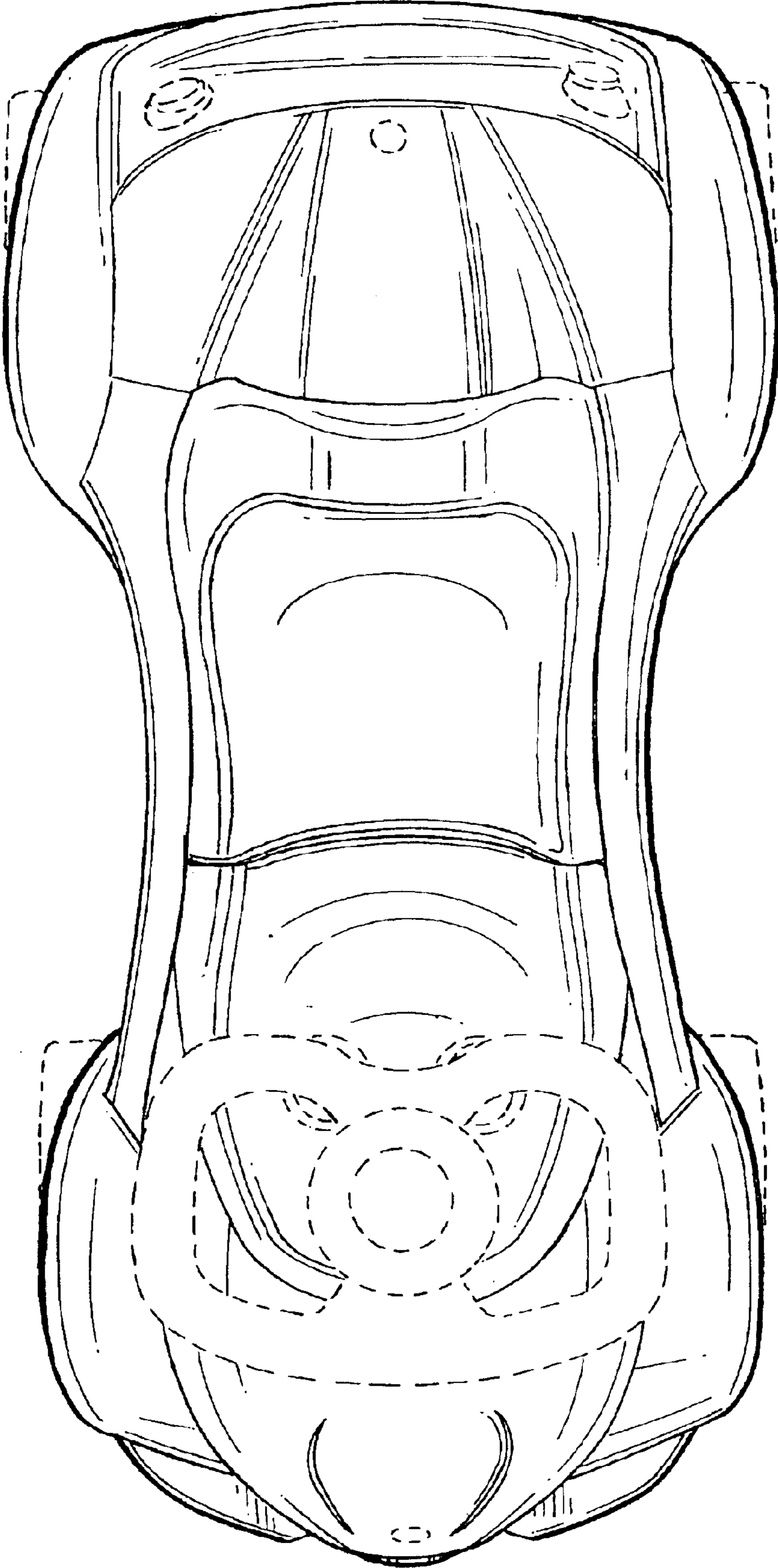


FIG. 6