

US00D496693S1

(12) **United States Design Patent**  
**Mueller**

(10) **Patent No.:** **US D496,693 S**

(45) **Date of Patent:** **\*\* Sep. 28, 2004**

(54) **SIGN HOLDER**

(75) **Inventor:** **Paul A. Mueller**, Wadsworth, OH (US)

(73) **Assignee:** **Fasteners For Retail, Inc.**, Cleveland, OH (US)

(\*\*) **Term:** **14 Years**

(21) **Appl. No.:** **29/174,311**

(22) **Filed:** **Jan. 15, 2003**

(51) **LOC (7) Cl.** ..... **20-03**

(52) **U.S. Cl.** ..... **D20/43**

(58) **Field of Search** ..... D20/10, 22, 40,  
D20/42, 43, 44, 99; D8/373, 380; D19/20;  
D25/119, 121, 122, 124; 40/124.01, 124.05,  
584, 642.01, 642.02, 649, 653, 654.01,  
661, 661.03; 52/522; 248/214, 215

(56) **References Cited**

**U.S. PATENT DOCUMENTS**

1,822,787	A	*	9/1931	Slawson	.....	40/645
5,346,166	A	*	9/1994	Valiulis	.....	248/220.41
5,375,803	A		12/1994	Kump		
D424,121	S		5/2000	Kump		
D425,134	S		5/2000	Kump		
6,082,687	A		7/2000	Kump et al.		
D440,606	S		4/2001	Mueller		

6,289,618	B1		9/2001	Kump et al.		
6,341,755	B1	*	1/2002	Kump	.....	248/220.41
6,354,546	B1	*	3/2002	Mueller	.....	248/220.42
6,357,711	B1	*	3/2002	Heyderman et al.	...	248/288.31

**OTHER PUBLICATIONS**

FFR Yellow Pages® Catalog, front cover, pp. 74, 75, 87, 88, 127, back cover, not dated.

\* cited by examiner

*Primary Examiner*—Robert M. Spear

(74) *Attorney, Agent, or Firm*—Fay, Sharpe, Fagan, Minnich & McKee, LLP

(57) **CLAIM**

The ornamental design for a sign holder, as shown and described.

**DESCRIPTION**

FIG. 1 is a perspective view of a sign holder showing my new design;

FIG. 2 is a rear elevational view thereof;

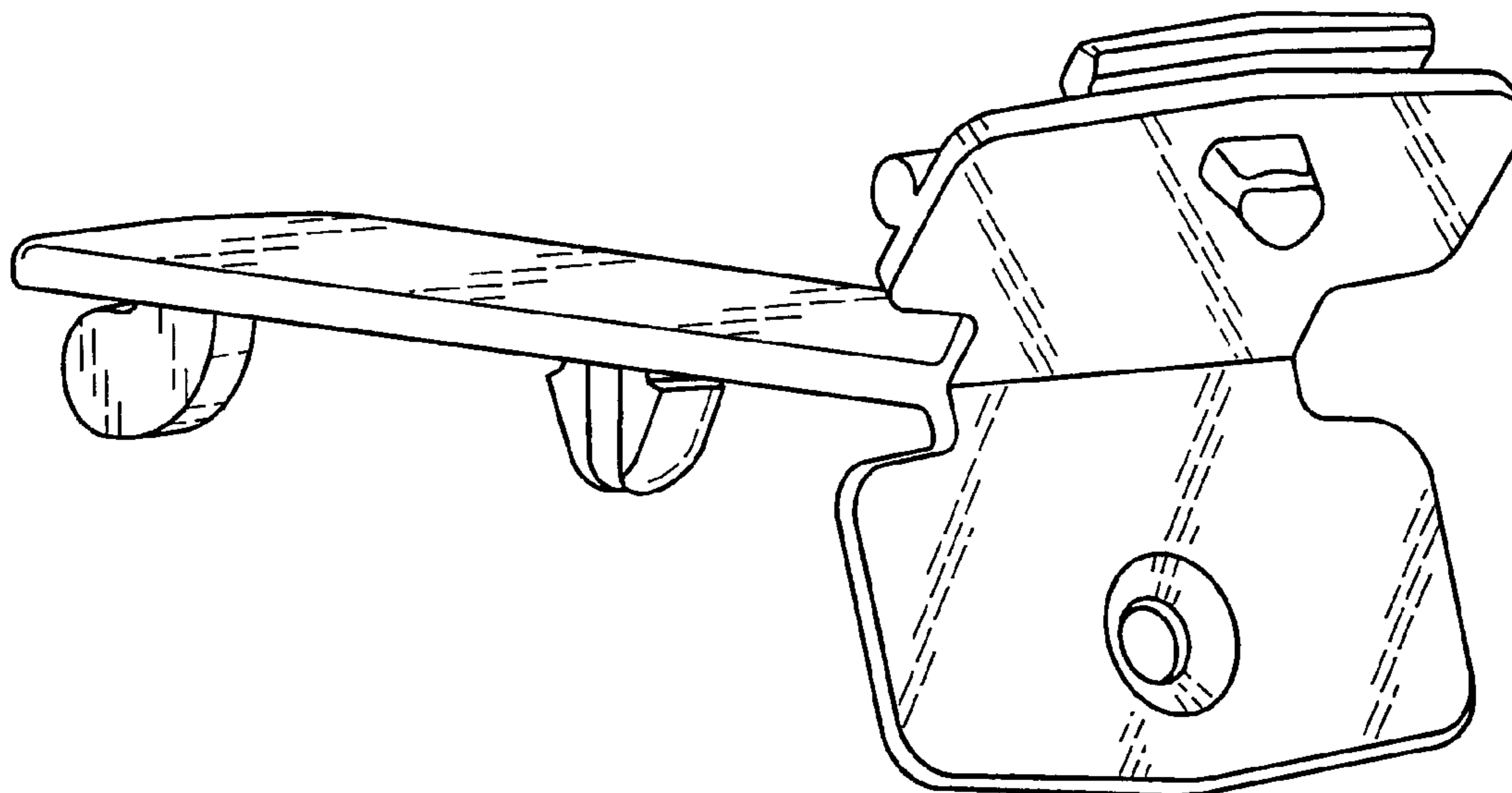
FIG. 3 is a front elevational view thereof;

FIG. 4 is a bottom plan view thereof;

FIG. 5 is a top plan view thereof; and,

FIG. 6 is a left side elevational view thereof, with a right side elevational view being a mirror image thereof.

**1 Claim, 2 Drawing Sheets**



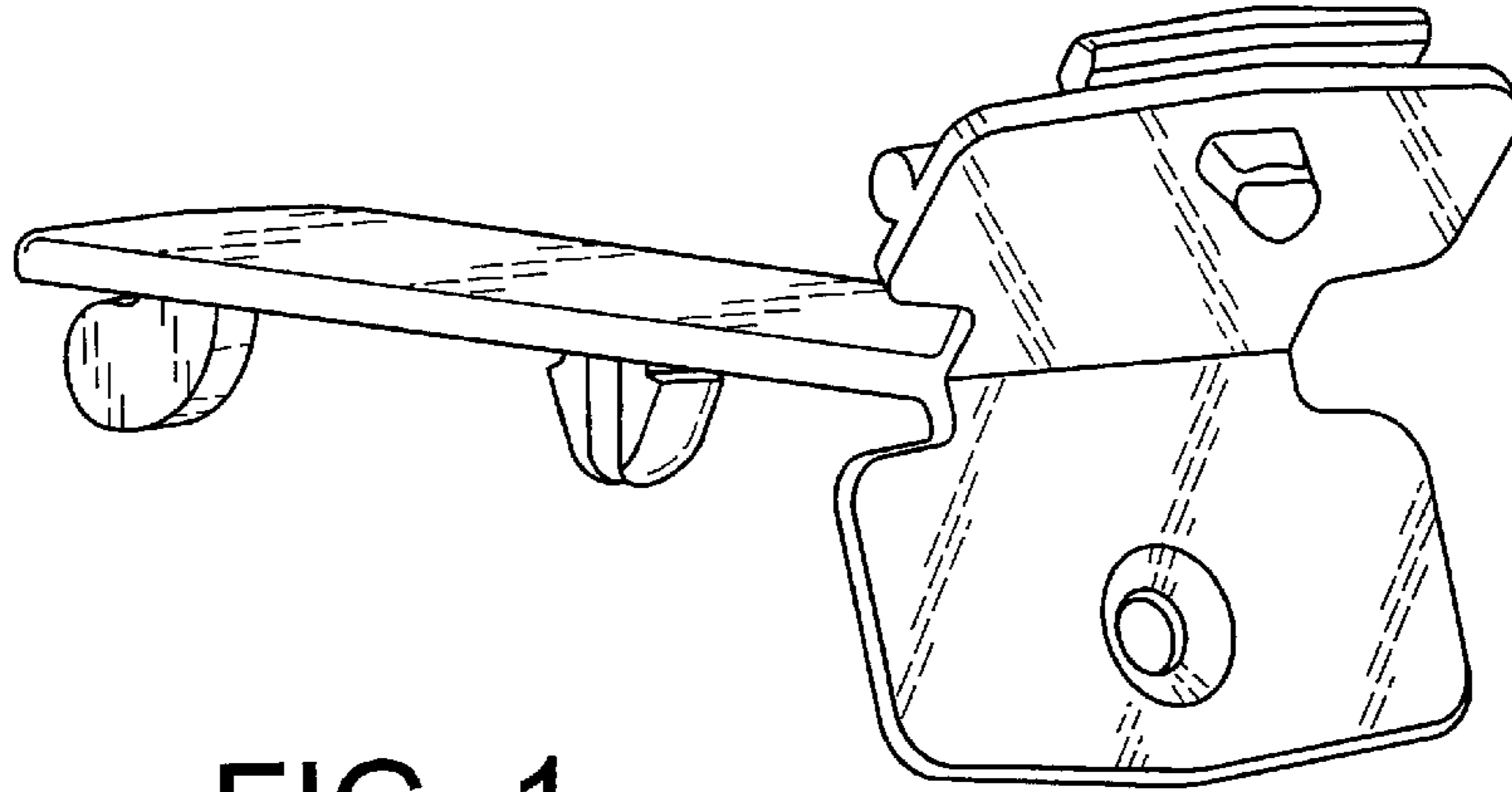


FIG. 1

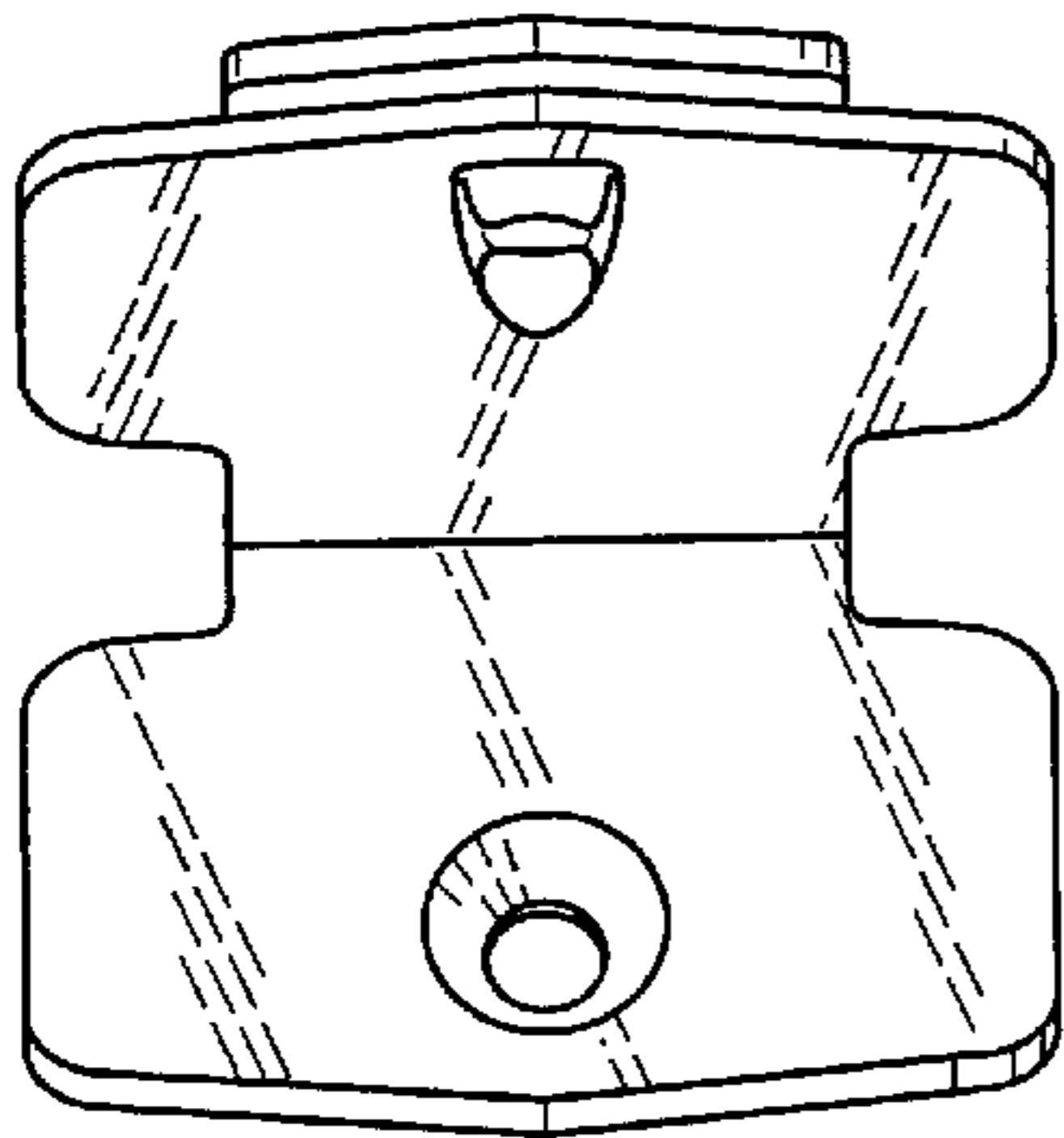


FIG. 3

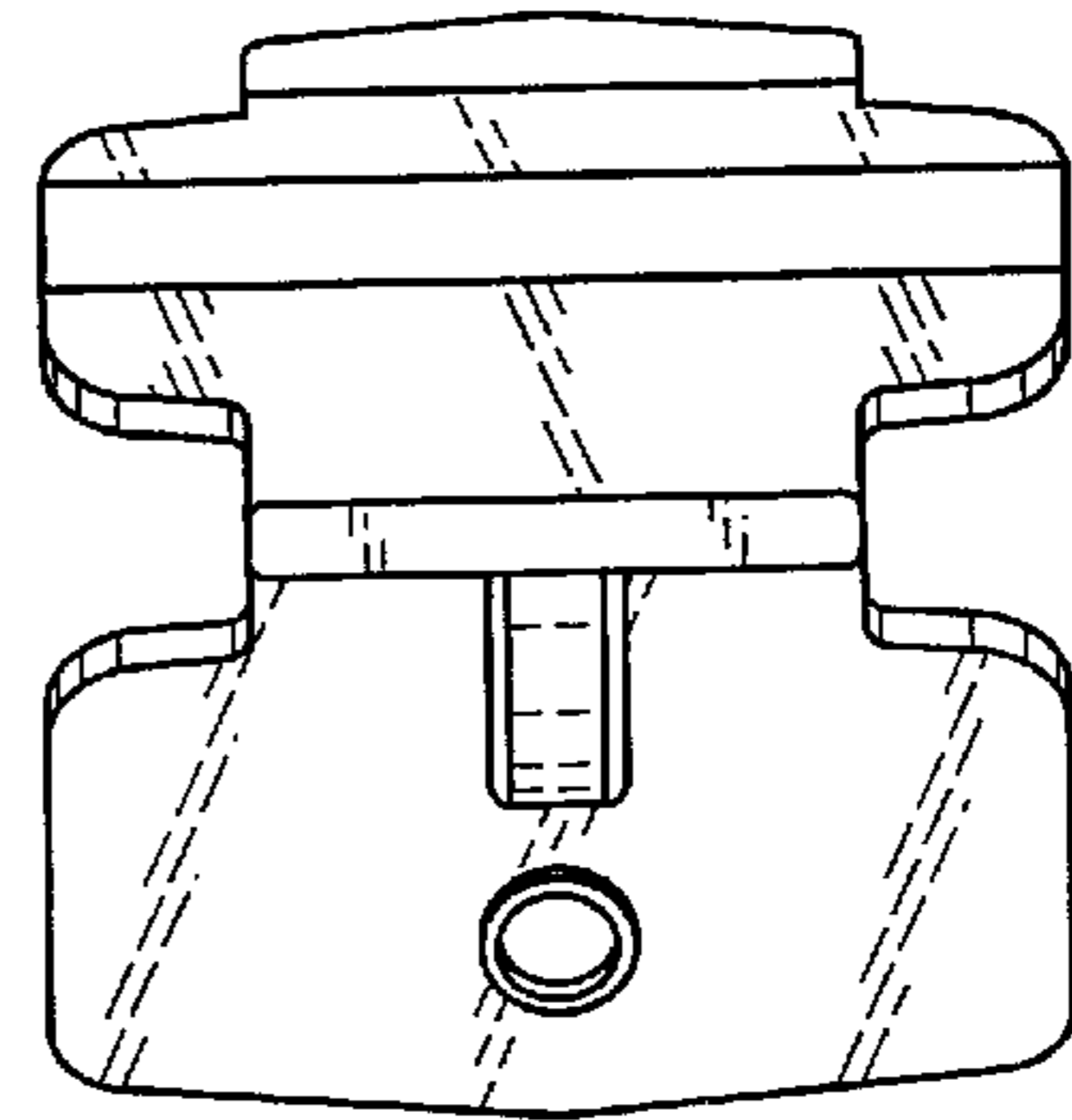


FIG. 2

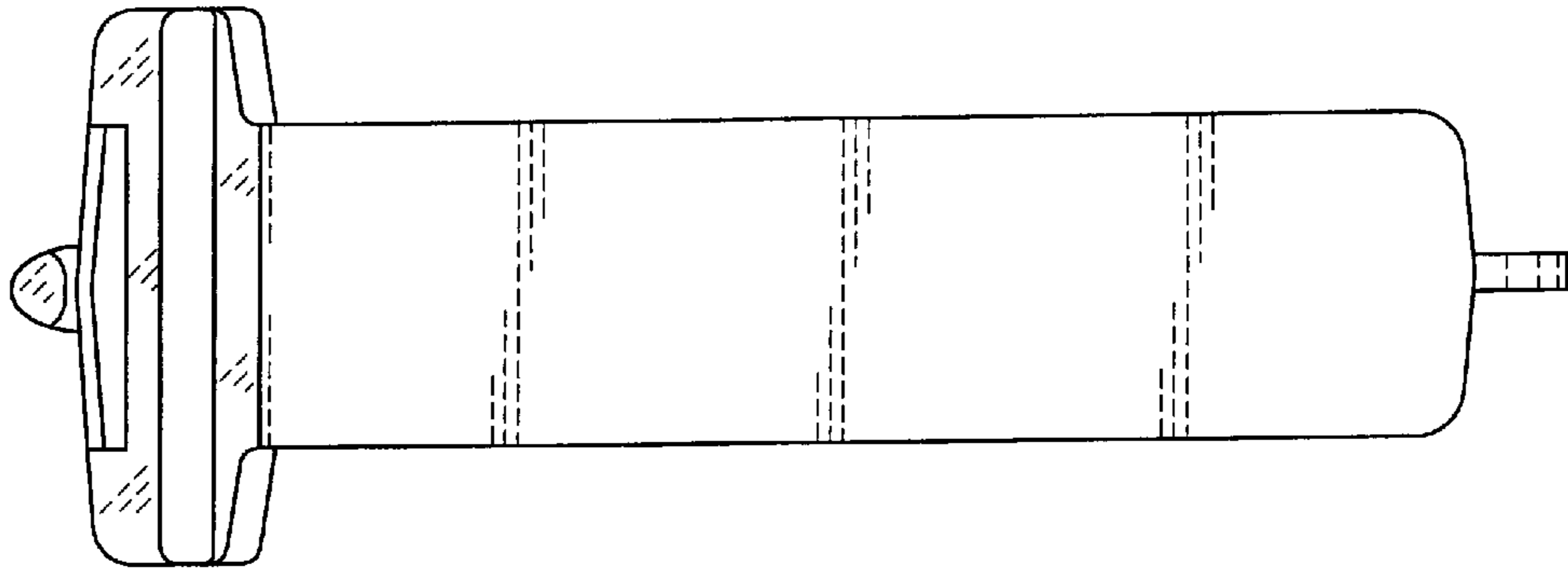


FIG. 5

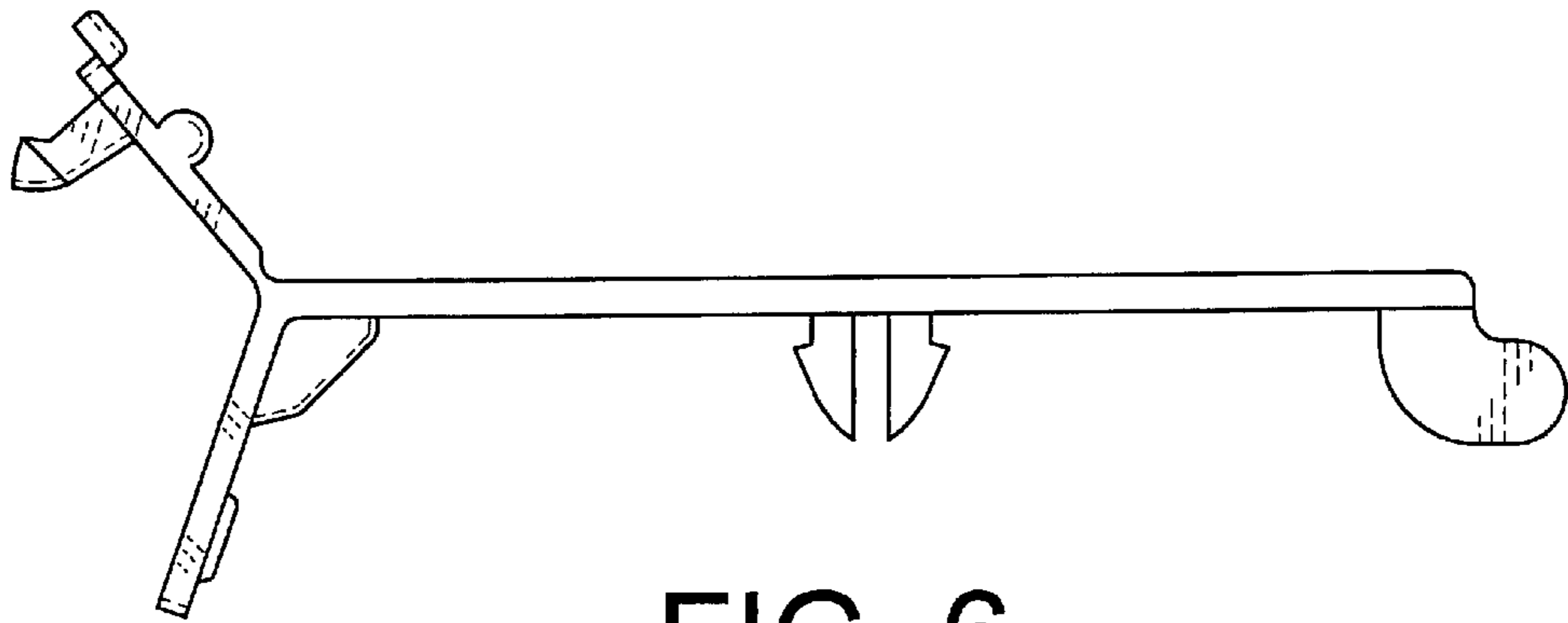


FIG. 6

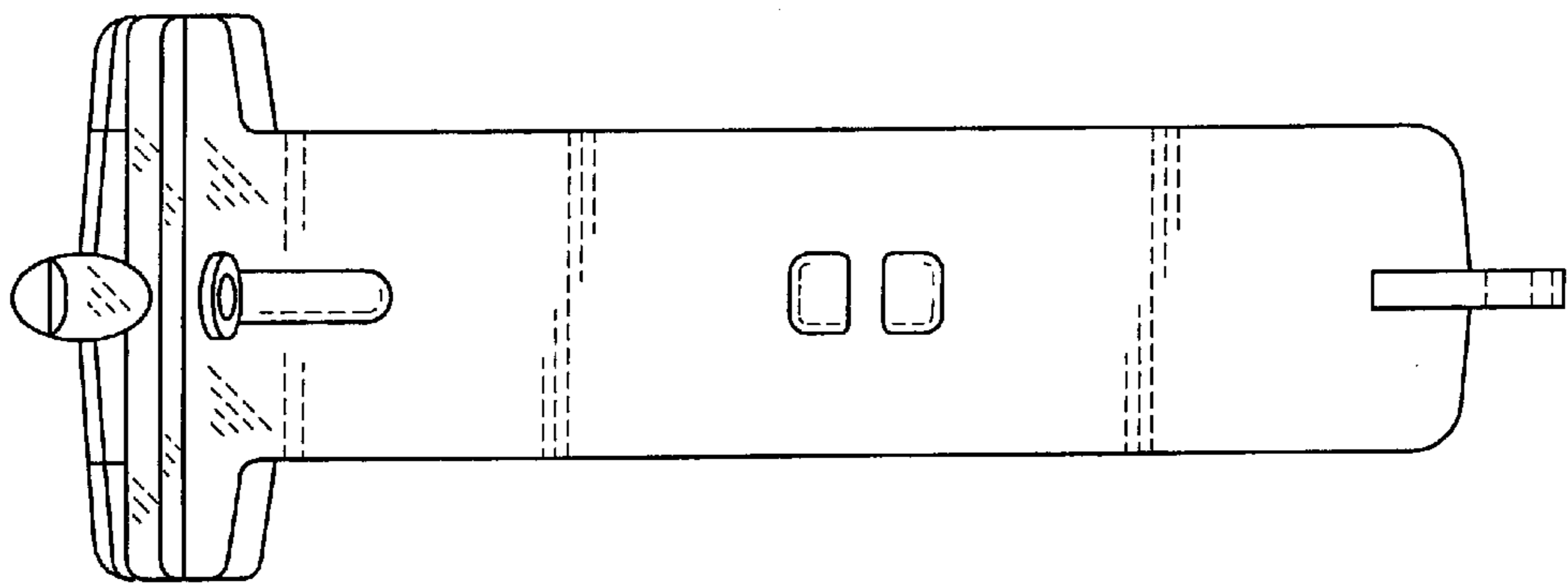


FIG. 4