

US00D496692S1

(12) **United States Design Patent**
Haruhiro

(10) **Patent No.:** **US D496,692 S**

(45) **Date of Patent:** **** Sep. 28, 2004**

(54) **TRAY**

(75) **Inventor:** **Ezure Haruhiro**, London (GB)

(73) **Assignee:** **Colebrook Bosson Saunders Products, Ltd.**, London (GB)

(**) **Term:** **14 Years**

(21) **Appl. No.:** **29/165,739**

(22) **Filed:** **Aug. 15, 2002**

(30) **Foreign Application Priority Data**

Feb. 15, 2002 (GB) 3001568

(51) **LOC (7) Cl.** **19-02**

(52) **U.S. Cl.** **D19/92; D19/86**

(58) **Field of Search** D19/35, 36, 65,
D19/75, 76, 78, 86, 91, 92, 95, 99, 100;
206/214, 215, 225, 555, 557; 211/10, 11,
126.1, 13.1, 126.5, 50, 118, 126.6, 88.01,
126.13, 126.16, 126.2

(56) **References Cited**

U.S. PATENT DOCUMENTS

5,363,974 A * 11/1994 Chan 211/126.2
D362,688 S * 9/1995 Wolff D19/92

5,775,521 A * 7/1998 Tisbo 211/11
D438,568 S * 3/2001 Saylor et al. D19/92
D454,371 S * 3/2002 Goodman et al. D19/92
D454,592 S * 3/2002 Carlson et al. D19/92
D479,272 S * 9/2003 Hardy et al. D19/92

* cited by examiner

Primary Examiner—Martie K. Holtje

(74) *Attorney, Agent, or Firm*—Carter, DeLuca, Farrell, & Schmidt LLP

(57) **CLAIM**

The ornamental design for a tray, as shown and described.

DESCRIPTION

FIG. 1 is a perspective view of a tray in accordance with the present design;

FIG. 2 is a top plan view of the tray of FIG. 1, in an un-folded condition, the bottom plan view being a mirror image of the top plan view;

FIG. 3 is a left side elevational view of the tray of FIG. 2, the right side elevational view being a mirror image of the left side elevational view;

FIG. 4 is a front elevational view of the tray of FIG. 2; and, FIG. 5 is a rear elevational view of the tray of FIG. 2.

1 Claim, 1 Drawing Sheet

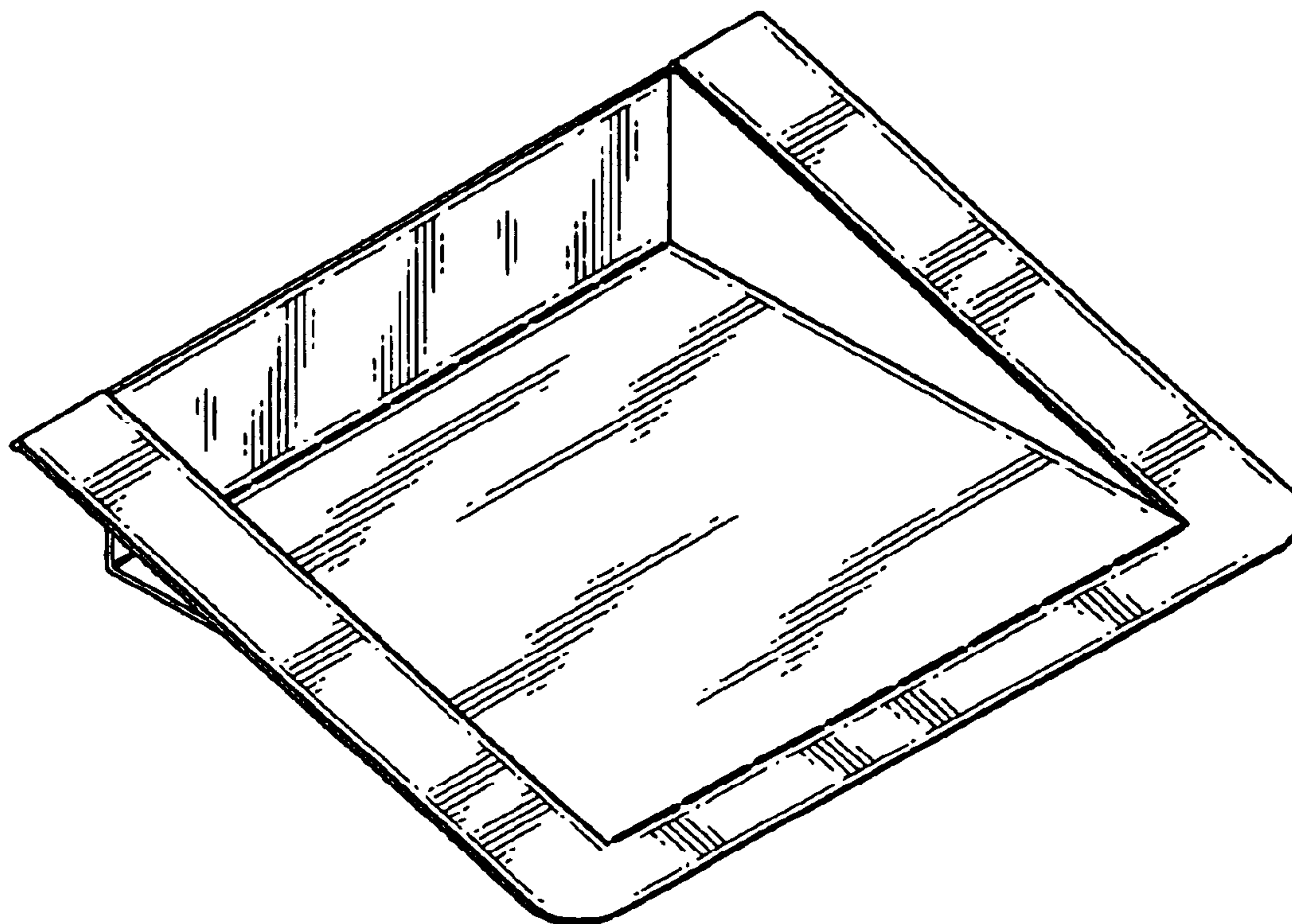


FIG. 1

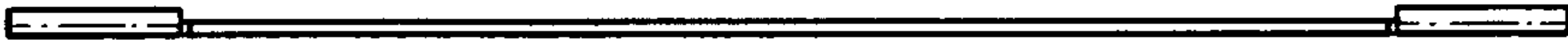
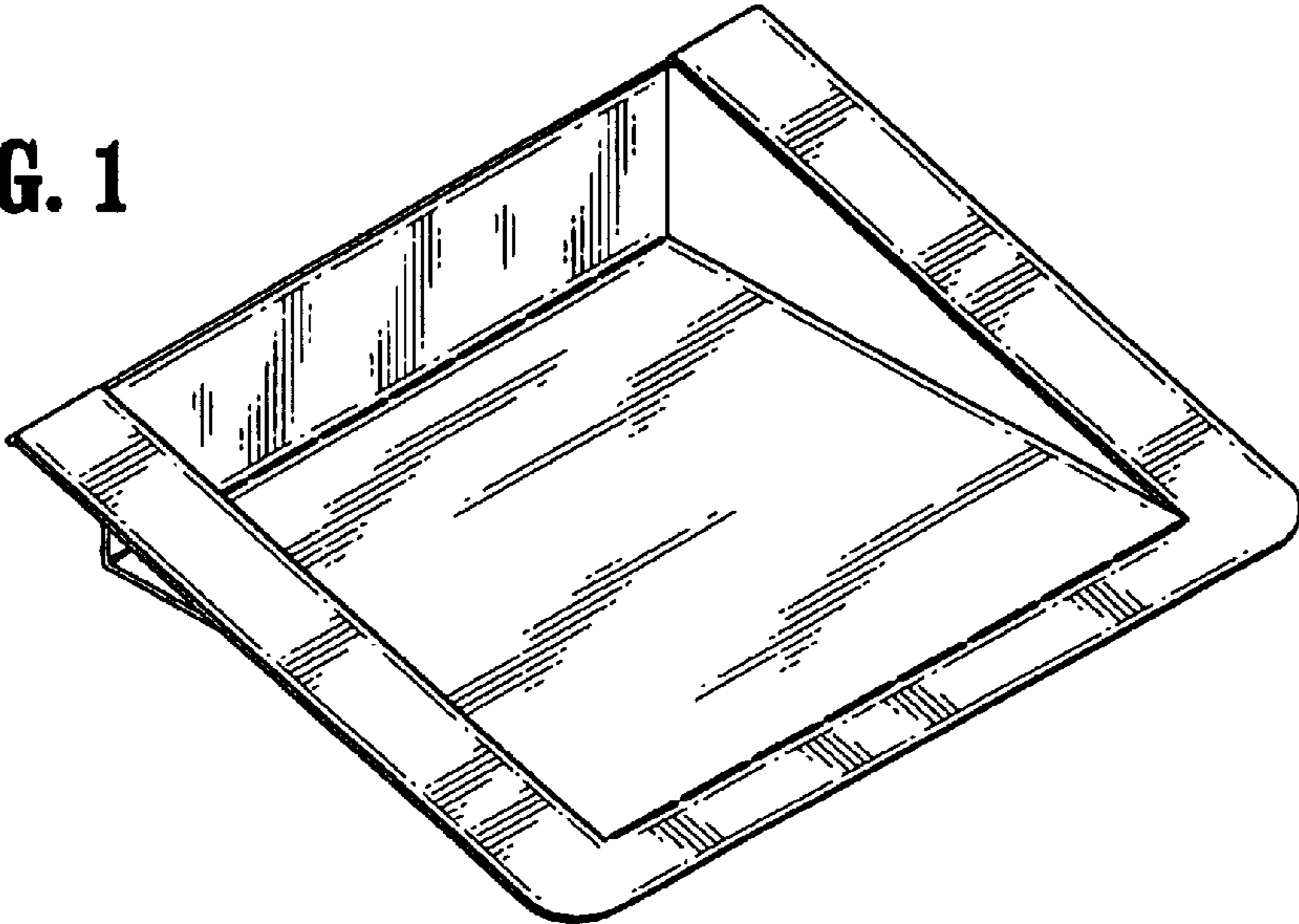


FIG. 5



FIG. 3

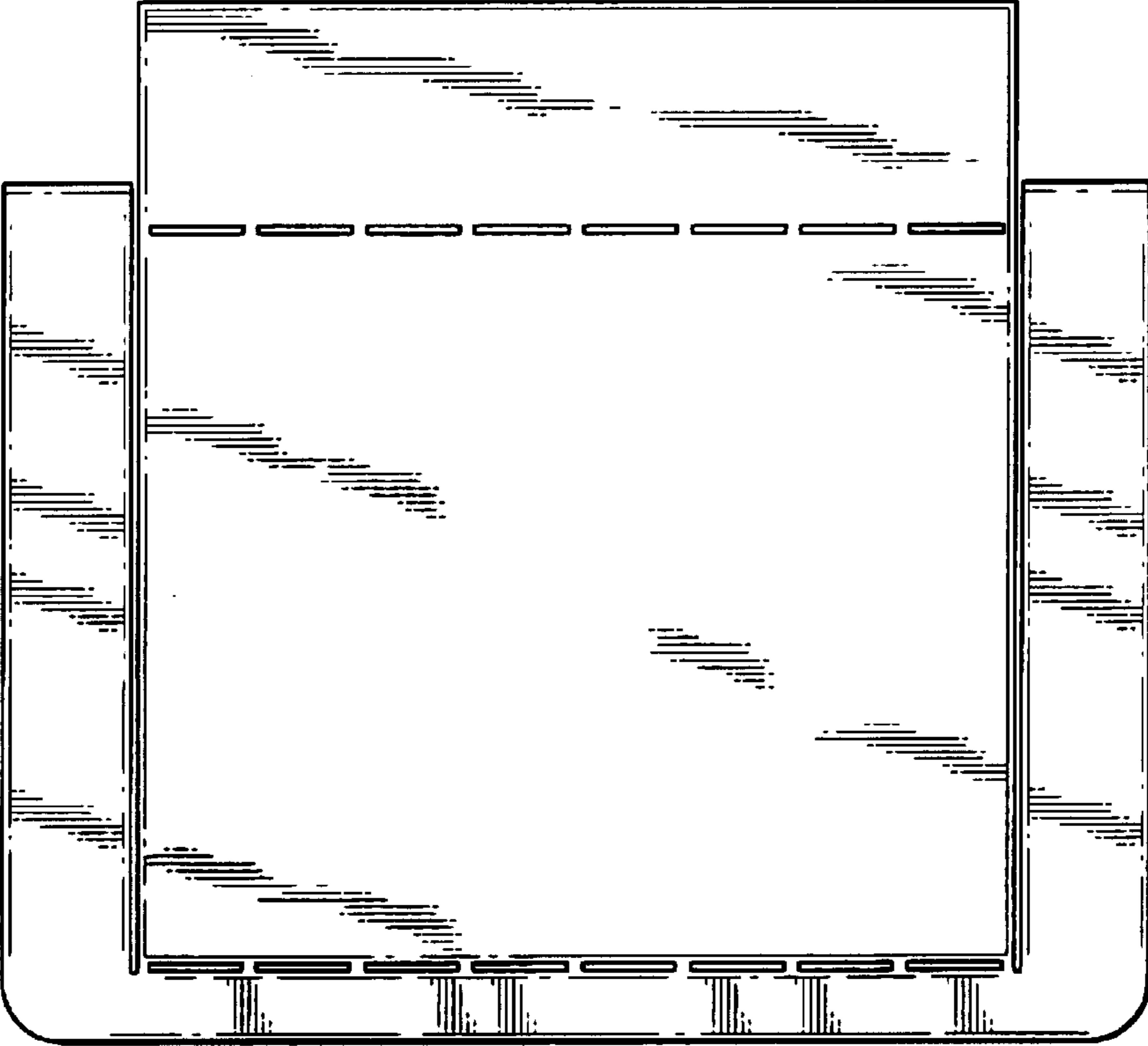


FIG. 2



FIG. 4