



US00D496691S1

(12) **United States Design Patent** (10) **Patent No.:** **US D496,691 S**  
**Crawford et al.** (45) **Date of Patent:** **\*\* Sep. 28, 2004**

(54) **DESKTOP TAPE DISPENSER**

**FOREIGN PATENT DOCUMENTS**

(75) Inventors: **Dennis L. Crawford**, Roberts, WI (US); **Bruce W. Carlson**, Minneapolis, MN (US)

EP	0 556 406 A1	8/1993
GB	2204564	11/1988
JP	07304551	11/1995
JP	08040632	2/1996
JP	2000095425	4/2000
JP	2000095426	4/2000
JP	2000211800	8/2000

(73) Assignee: **3M Innovative Properties Company**, St. Paul, MN (US)

(\*\*) Term: **14 Years**

**OTHER PUBLICATIONS**

(21) Appl. No.: **29/191,904**

U.S. Design patent application Ser. No. 29/175,612, filed Feb. 7, 2003, Tape Dispenser.

(22) Filed: **Oct. 15, 2003**

*Primary Examiner*—Martie K. Holtje

(51) **LOC (7) Cl.** ..... **19-02**

(74) *Attorney, Agent, or Firm*—George W. Jonas

(52) **U.S. Cl.** ..... **D19/69; D19/67**

(58) **Field of Search** ..... D19/65, 66, 67-69, D19/89, 99, 100; 206/389, 395-398, 411, 415; 225/6, 7, 11, 19, 25, 33, 34-36, 45, 46, 52, 56, 53, 65, 74, 77, 89; 156/327, 523, 527, 577; 242/588, 588.1-588.6

(57) **CLAIM**

The ornamental design for a desktop tape dispenser, as shown and described.

(56) **References Cited**

**DESCRIPTION**

**U.S. PATENT DOCUMENTS**

D127,388 S	*	5/1941	Reinecke	.....	D19/69
2,400,776 A	*	5/1946	Nordeen et al.	.....	225/74
2,516,143 A	*	7/1950	Parsons	.....	225/11
2,553,658 A	*	5/1951	Larson	.....	225/11
D169,989 S		7/1953	Reinecke		
D190,780 S		6/1961	Reinecke		
3,993,230 A		11/1976	Oakes		
D248,561 S		7/1978	Deering, Jr.		
D248,961 S		8/1978	De brey		
4,175,685 A		11/1979	Niles		
D254,556 S		3/1980	Johnson		
4,222,509 A		9/1980	Smith		
4,599,130 A		7/1986	Woodley		
D289,180 S		4/1987	Crawford et al.		
D290,618 S		6/1987	Vitacco		
4,729,518 A		3/1988	Mathna et al.		
4,884,734 A		12/1989	Kahl, Jr. et al.		

FIG. 1 is a perspective view showing the new design for a desktop tape dispenser.

FIG. 2 is a left side view showing the new design for a desktop tape dispenser.

FIG. 3 is a right side view showing the new design for a desktop tape dispenser.

FIG. 4 is a top view showing the new design for a desktop tape dispenser.

FIG. 5 is a bottom view showing the new design for a desktop tape dispenser.

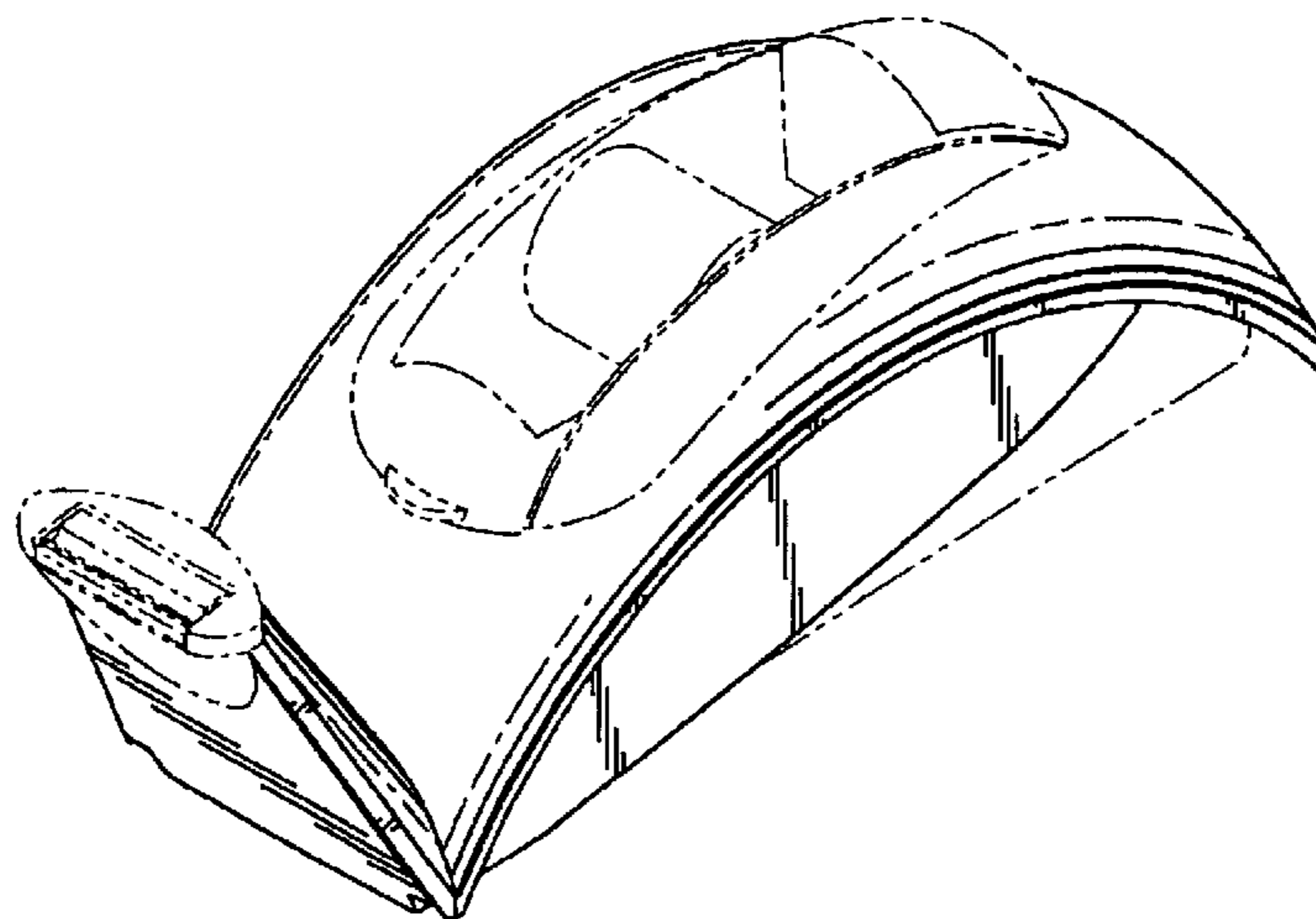
FIG. 6 is a front view showing the new design for a desktop tape dispenser; and,

FIG. 7 is a back view showing the new design for a desktop tape dispenser.

The structure depicted by means of broken lines in the figures has been shown for illustrative purposes only and forms no part of the claimed invention.

(List continued on next page.)

**1 Claim, 2 Drawing Sheets**



# US D496,691 S

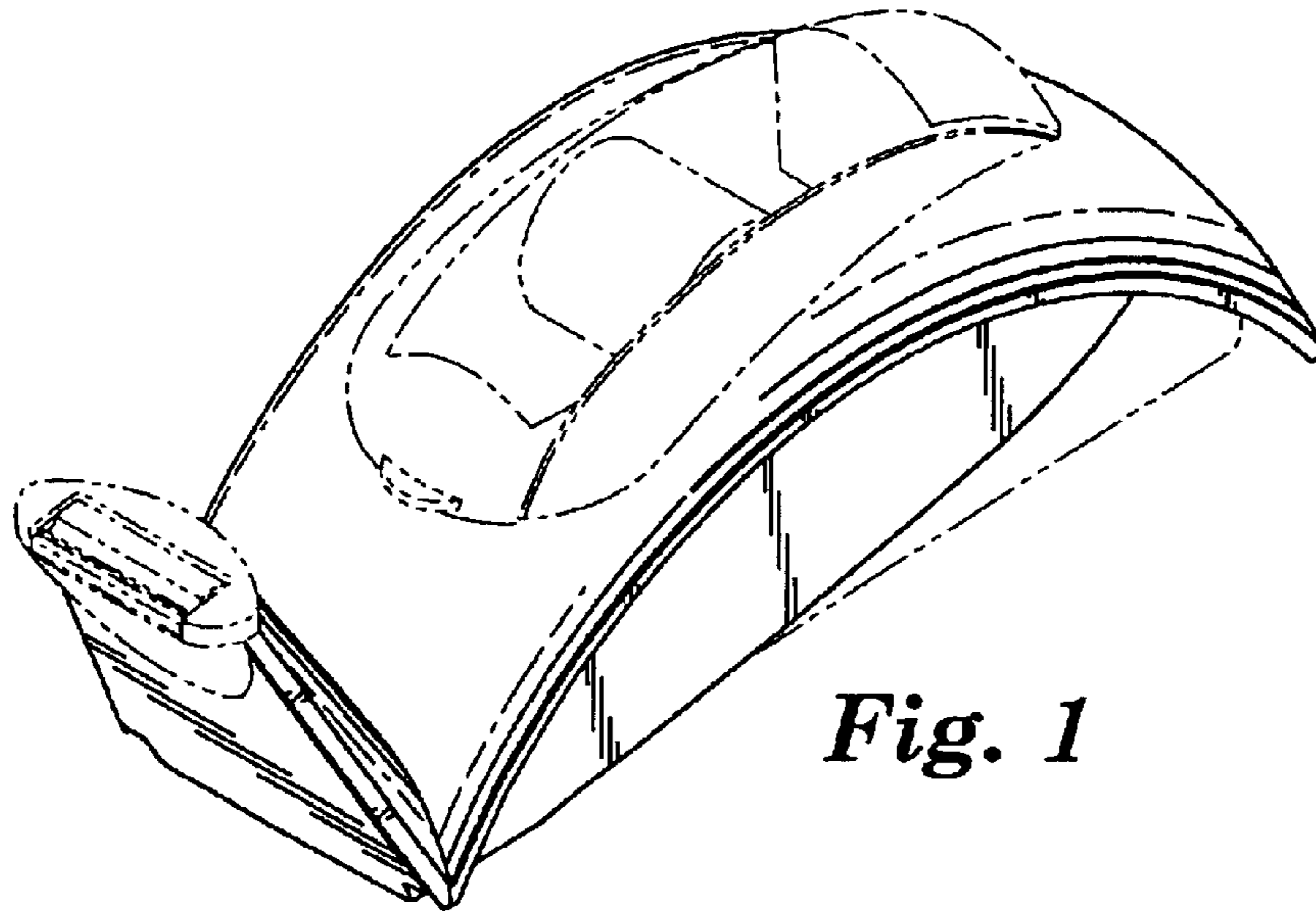
Page 2

---

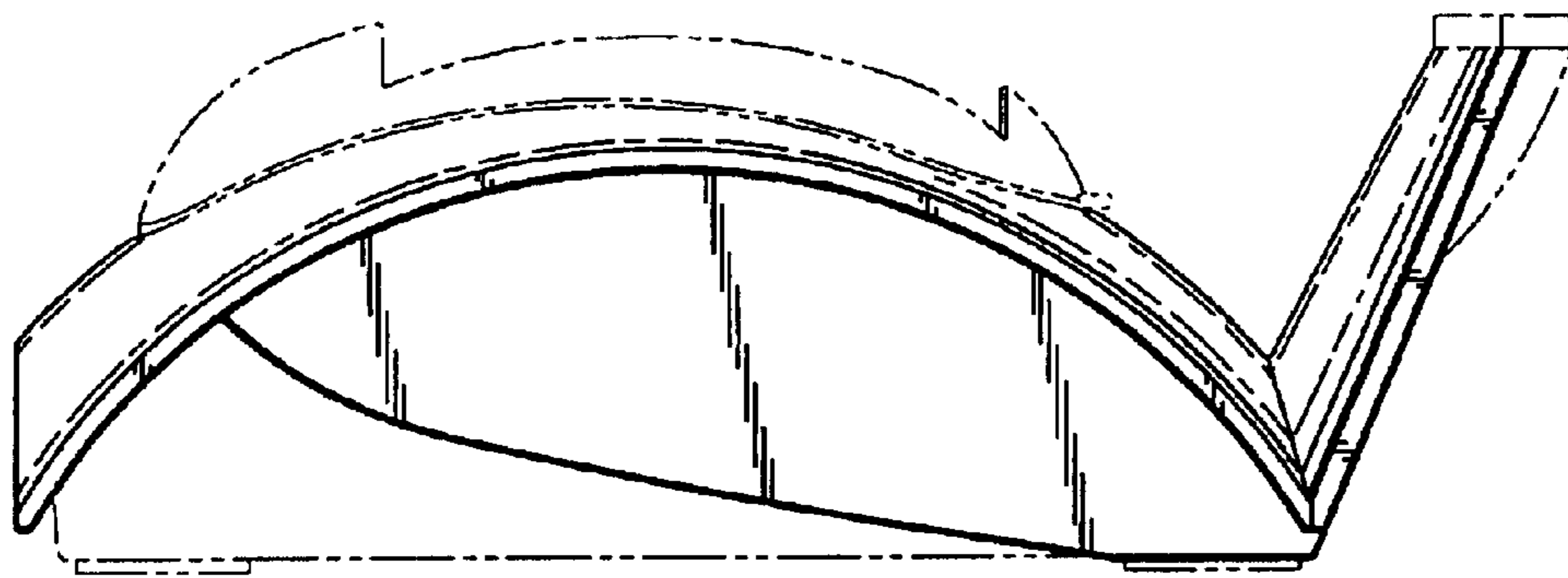
## U.S. PATENT DOCUMENTS

D331,071 S	11/1992	Dotterman et al.	5,624,527 A	4/1997	Mareh	
D331,072 S	11/1992	Dotterman et al.	D404,430 S	*	1/1999	Shen ..... D19/69
D342,093 S	12/1993	Samuelson	D413,630 S		9/1999	Mandar
D342,548 S	12/1993	Kirchhoff et al.	D430,213 S		8/2000	Huang
D348,690 S	*	7/1994	D441,795 S		5/2001	De Regt et al.
D358,172 S	*	5/1995	D448,415 S		9/2001	Huang
D359,511 S		6/1995	6,311,923 B1		11/2001	Tsai
		Nash et al.				

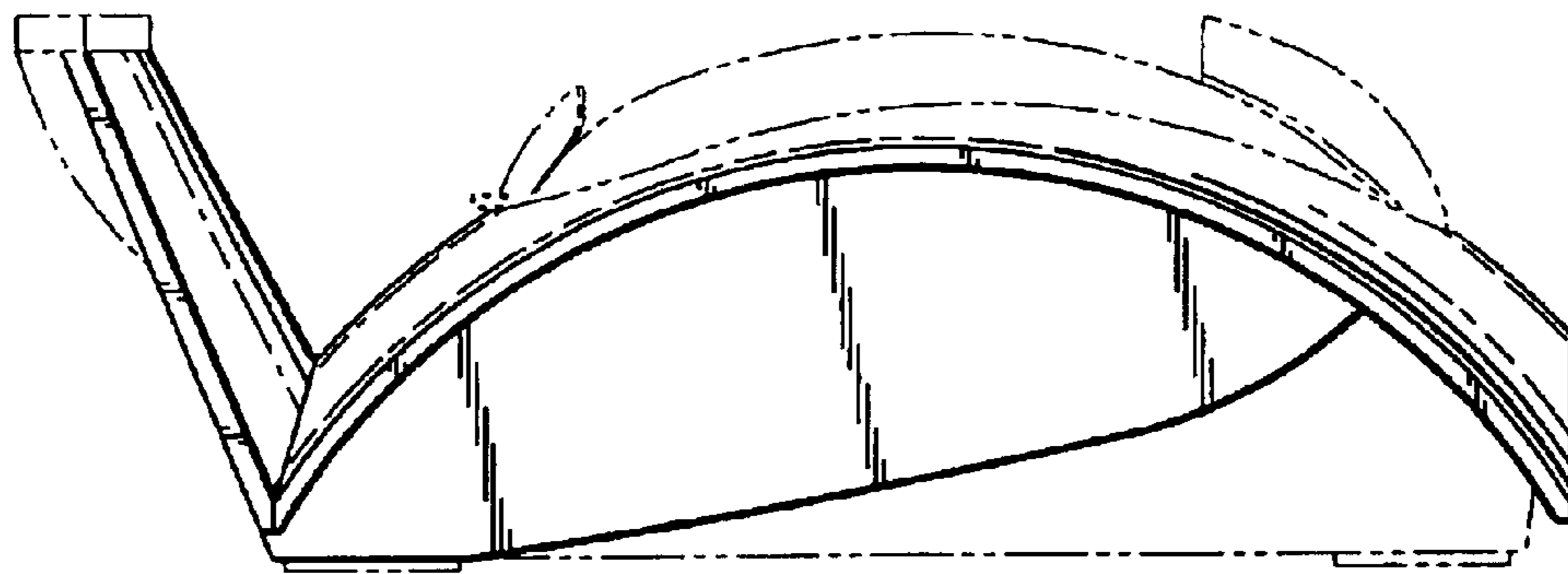
\* cited by examiner



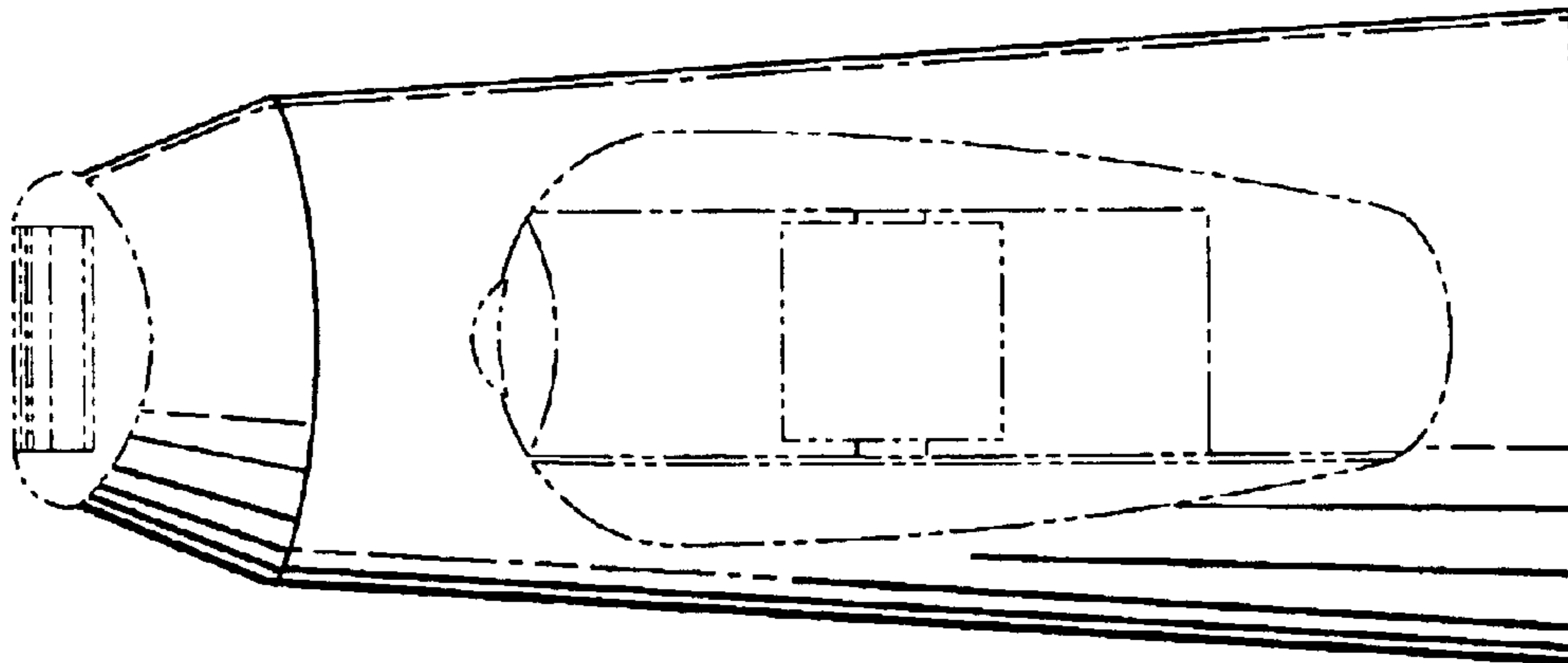
*Fig. 1*



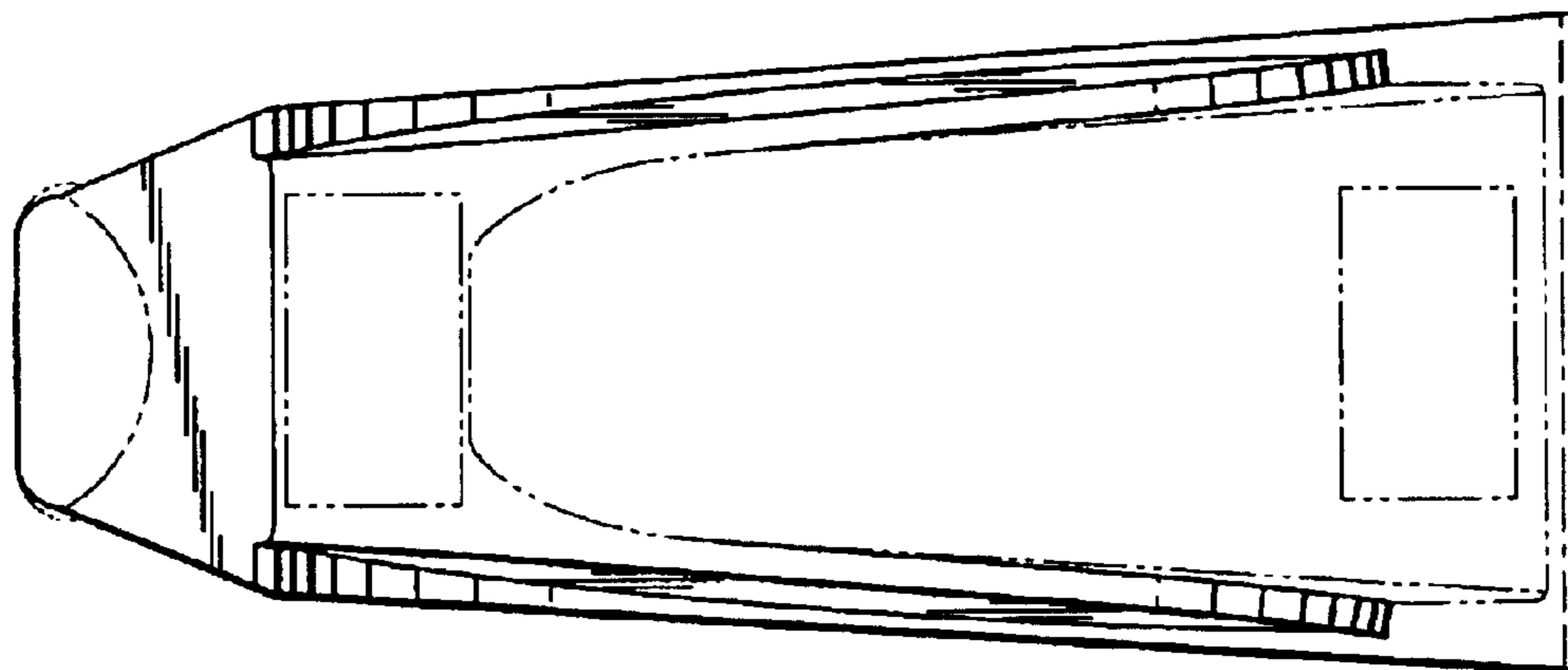
*Fig. 2*



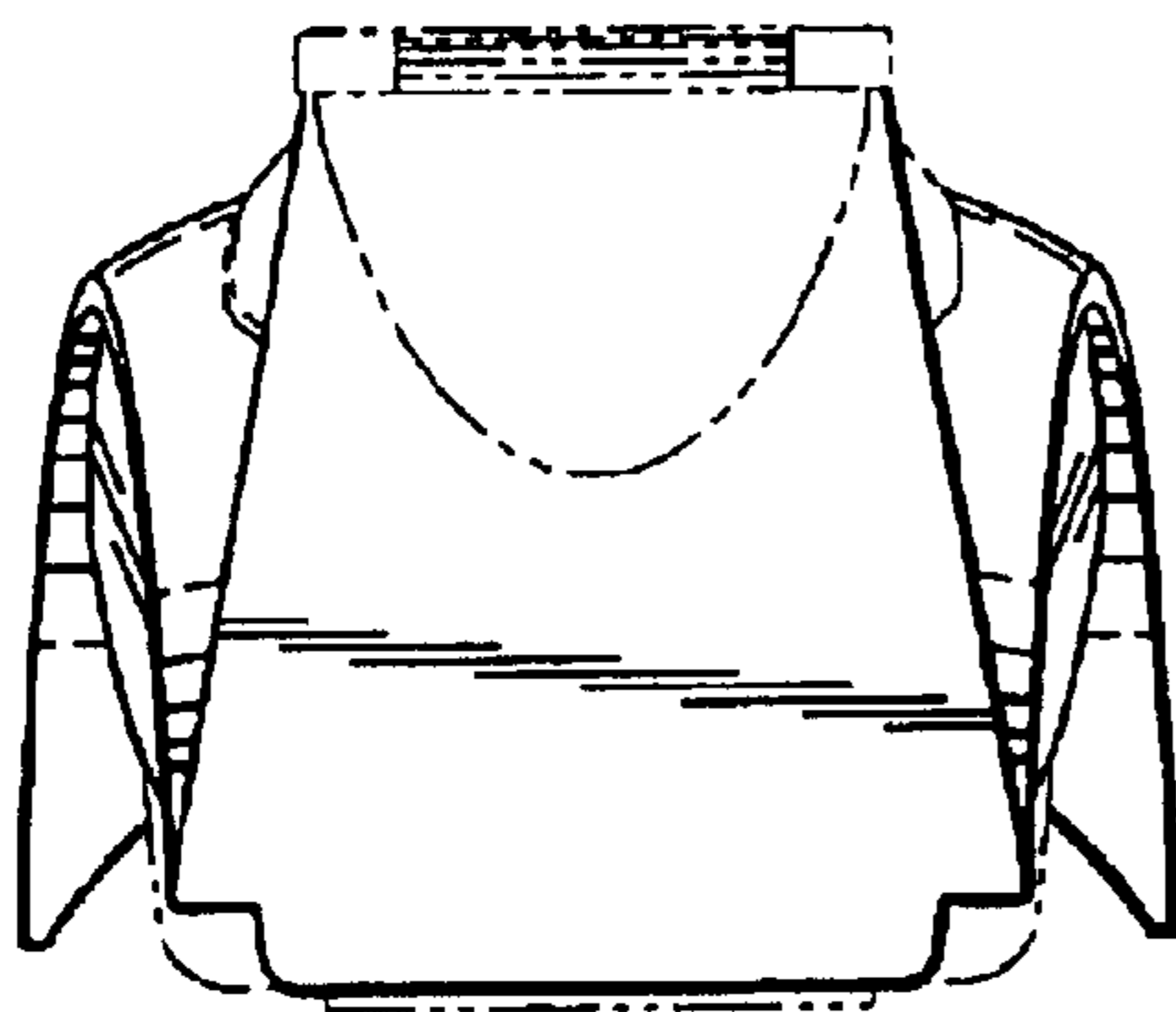
*Fig. 3*



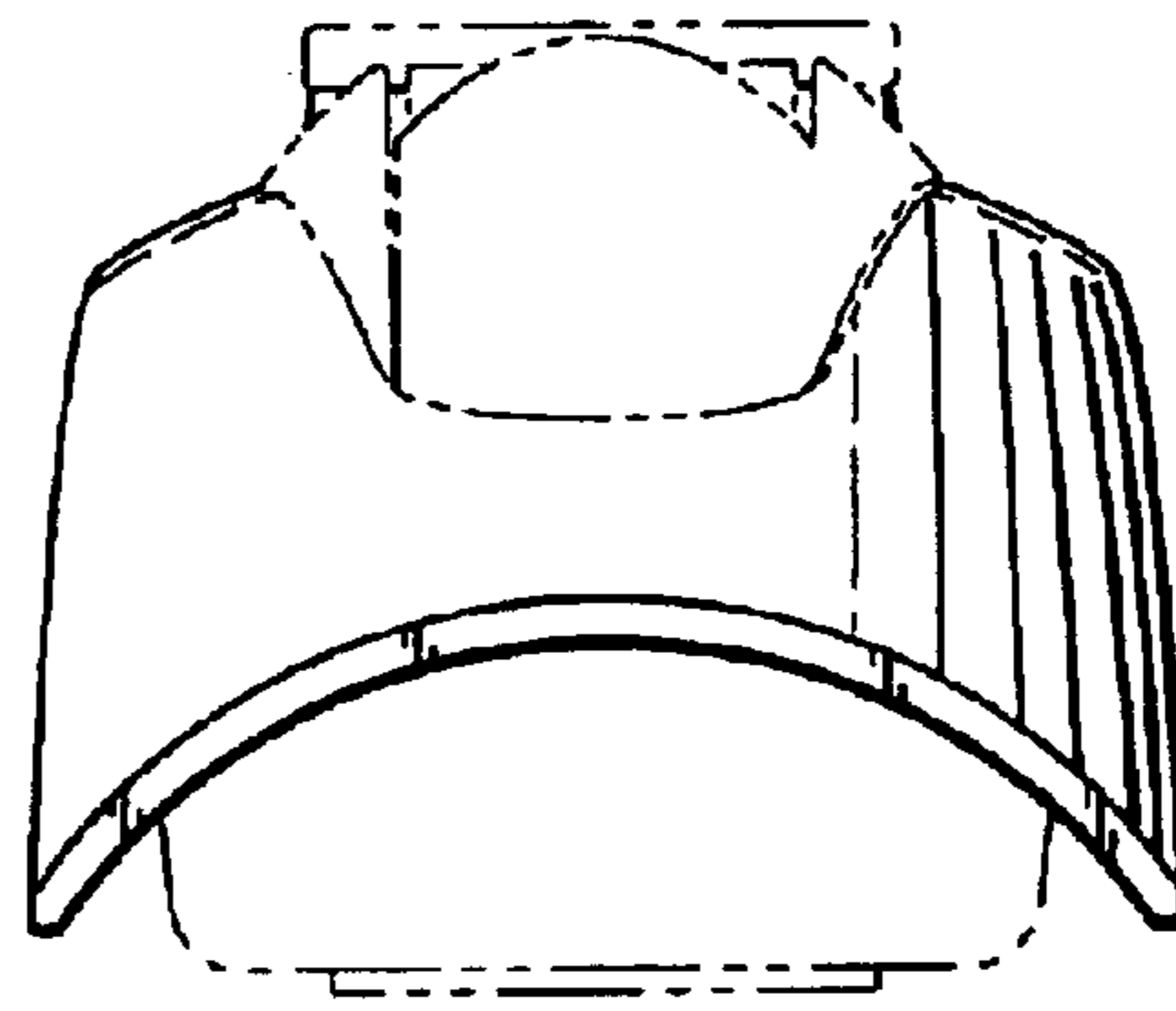
*Fig. 4*



*Fig. 5*



*Fig. 6*



*Fig. 7*