



US00D496690S1

(12) **United States Design Patent** (10) **Patent No.:** **US D496,690 S**
Crawford et al. (45) **Date of Patent:** **** Sep. 28, 2004**

(54) **DESKTOP TAPE DISPENSER**

D342,548 S 12/1993 Kirchhoff et al.
D359,511 S 6/1995 Nash et al.

(75) Inventors: **Dennis L. Crawford**, Roberts, WI (US); **Bruce W. Carlson**, Minneapolis, MN (US)

(List continued on next page.)

(73) Assignee: **3M Image Properties Company**, St. Paul, MN (US)

FOREIGN PATENT DOCUMENTS

(**) Term: **14 Years**

EP	0 556 406 A1	8/1993
GB	2204564	11/1988
JP	07304551	11/1995
JP	08040632	2/1996
JP	2000095425	4/2000
JP	2000095426	4/2000
JP	2000211800	8/2000

(21) Appl. No.: **29/191,885**

(22) Filed: **Oct. 15, 2003**

OTHER PUBLICATIONS

(51) **LOC (7) Cl.** **19-02**

U.S. patent application Ser. No. D. 29/175,612, filed Feb. 7, 2003, 58285US002 3M'Docket No.—Tape Dispenser.

(52) **U.S. Cl.** **D19/69; D19/67**

(58) **Field of Search** D19/65, 66, 67-69, D19/89, 99, 100; 206/389, 395-398, 411, 415; 225/6, 7, 19, 11, 25, 33, 34-36, 45, 46, 52, 56, 53, 65, 74, 77, 89; 156/327, 527, 523, 577; 242/588, 588.1-588.6

Primary Examiner—Martie K. Holtje

(74) *Attorney, Agent, or Firm*—George W Jonas

(56) **References Cited**

(57) **CLAIM**

The ornamental design for a desktop tape dispenser, as shown and described.

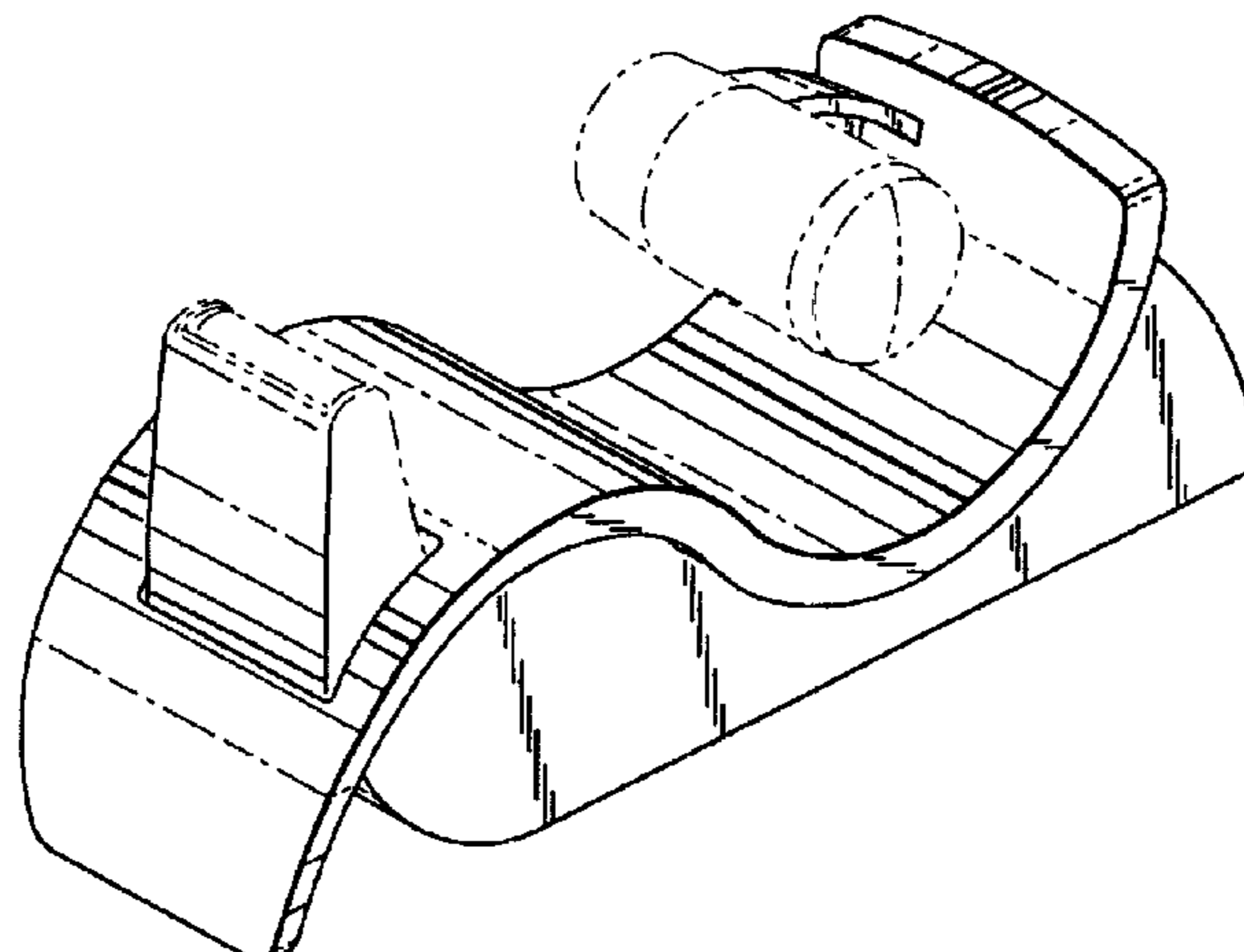
U.S. PATENT DOCUMENTS

DESCRIPTION

D127,388 S	5/1941	Reinecke	
D169,989 S	7/1953	Reinecke	
D190,780 S	6/1961	Reinecke	
D226,989 S	* 5/1973	Kikuchi et al.	D19/69
3,993,230 A	11/1976	Oakes	
D248,561 S	7/1978	Deering, Jr.	
D248,961 S	8/1978	De brey	
4,175,685 A	11/1979	Niles	
D254,556 S	3/1980	Johnson	
4,222,509 A	9/1980	Smith	
4,599,130 A	7/1986	Woodley	
D289,180 S	4/1987	Crawford et al.	
D290,618 S	6/1987	Vitacco	
4,729,518 A	3/1988	Mathna et al.	
4,884,734 A	12/1989	Kahl, Jr. et al.	
D310,103 S	* 8/1990	Beirise et al.	D19/67
D331,071 S	11/1992	Dotterman et al.	
D331,072 S	11/1992	Dotterman et al.	
D336,109 S	* 6/1993	Chan	D19/69
D337,612 S	* 7/1993	Carella	D19/69
D342,093 S	12/1993	Samuelson	

FIG. 1 is a perspective view showing the new design for a desktop tape dispenser.
 FIG. 2 is a left side view showing the new design for a desktop tape dispenser.
 FIG. 3 is a right side view showing the new design for a desktop tape dispenser.
 FIG. 4 is a bottom view showing the new design for a desktop tape dispenser
 FIG. 5 is a top view showing the new design for a desktop tape dispenser
 FIG. 6 is a front view showing the new design for a desktop tape dispenser; and,
 FIG. 7 is a back view showing the new design for a desktop tape dispenser.
 The structure depicted by means of broken lines in the figures has been shown for illustrative purposes only and forms no part of the claimed invention.

1 Claim, 2 Drawing Sheets



US D496,690 S

Page 2

U.S. PATENT DOCUMENTS

5,624,527 A 4/1997 Maresh
D404,430 S 1/1999 Shen
D413,630 S 9/1999 Mandar
D430,213 S 8/2000 Huang

D441,795 S 5/2001 De Regt et al.
D448,415 S 9/2001 Huang
6,311,923 B1 11/2001 Tsai

* cited by examiner

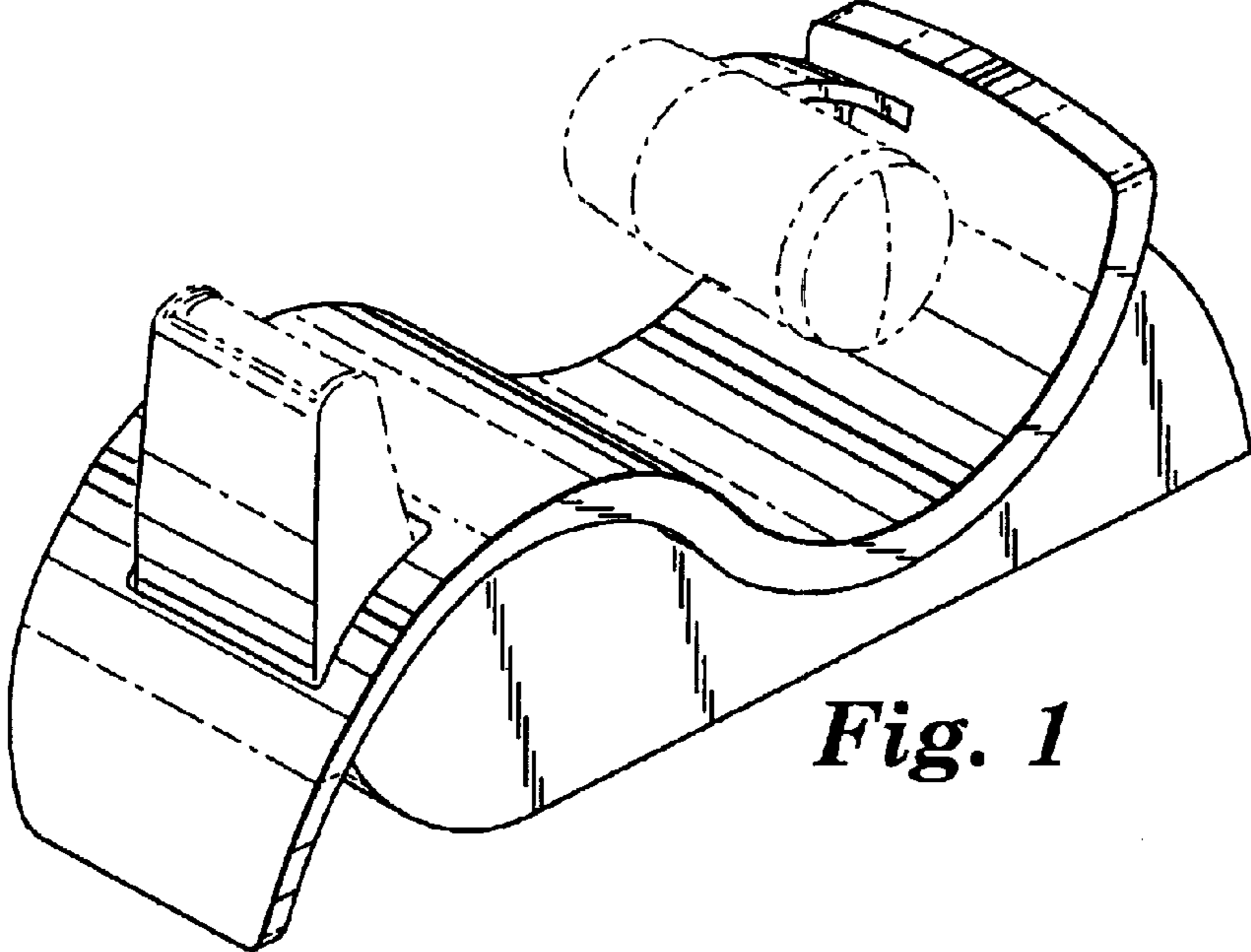


Fig. 1

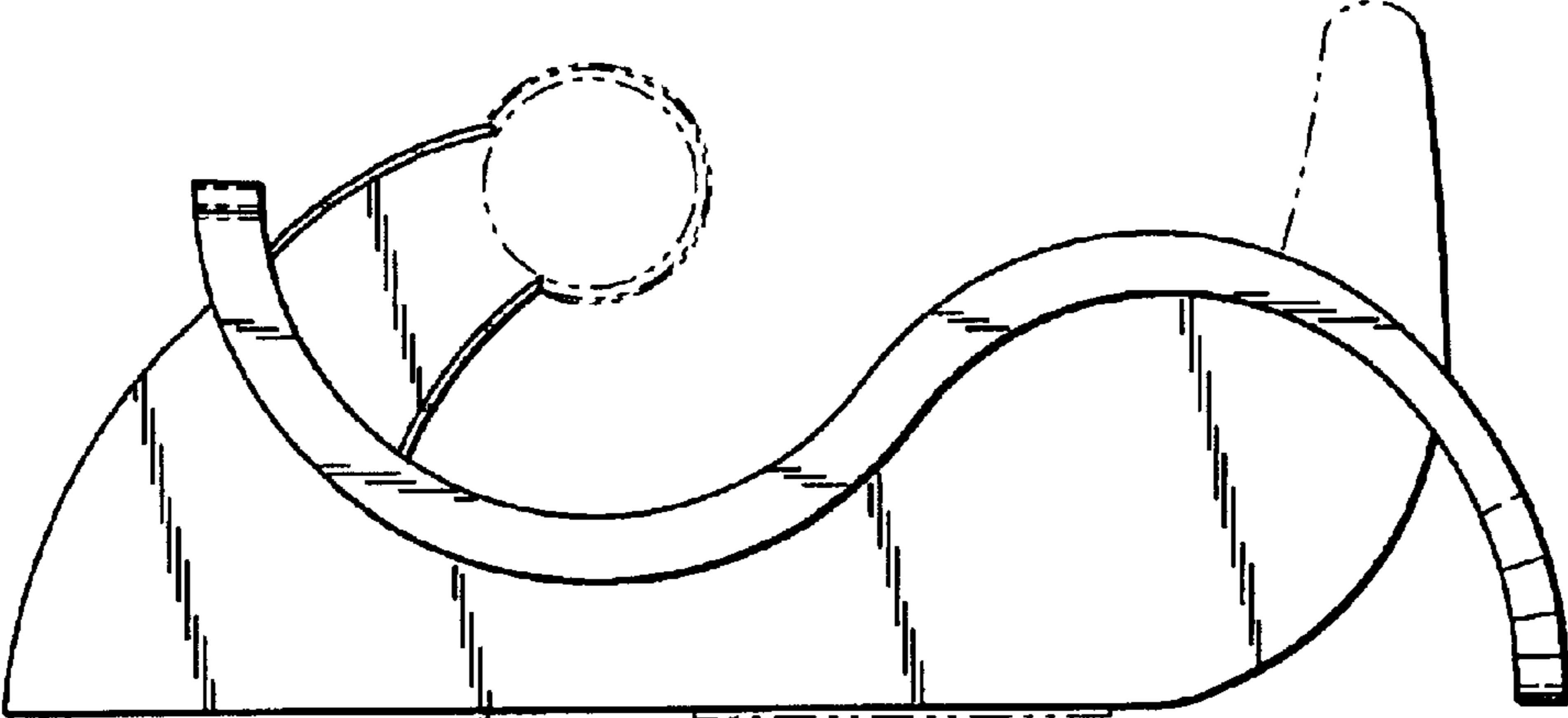


Fig. 2

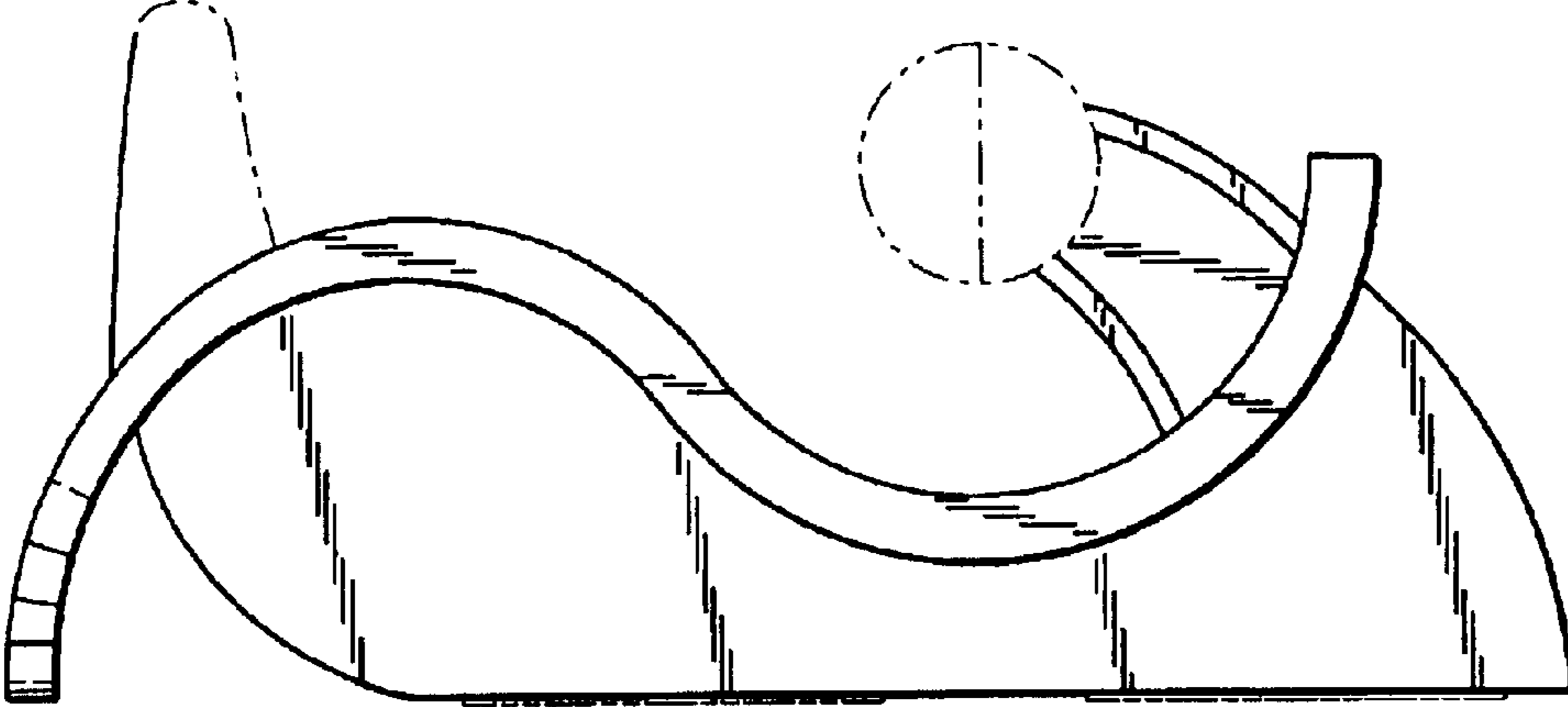


Fig. 3

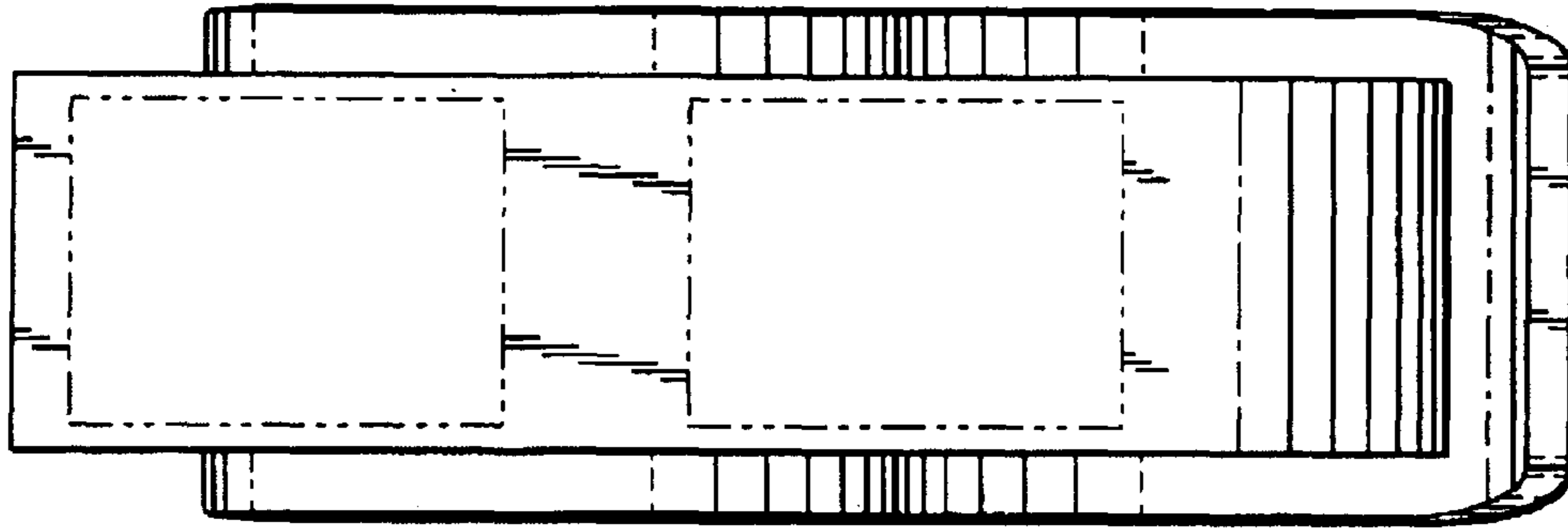


Fig. 4

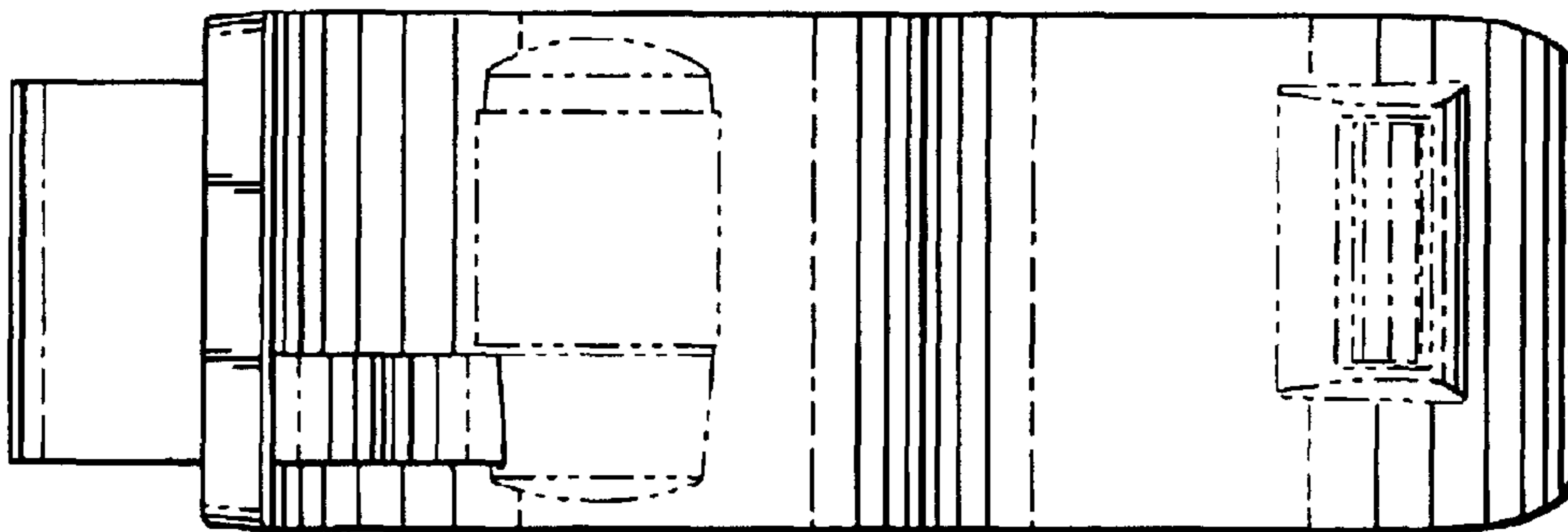


Fig. 5

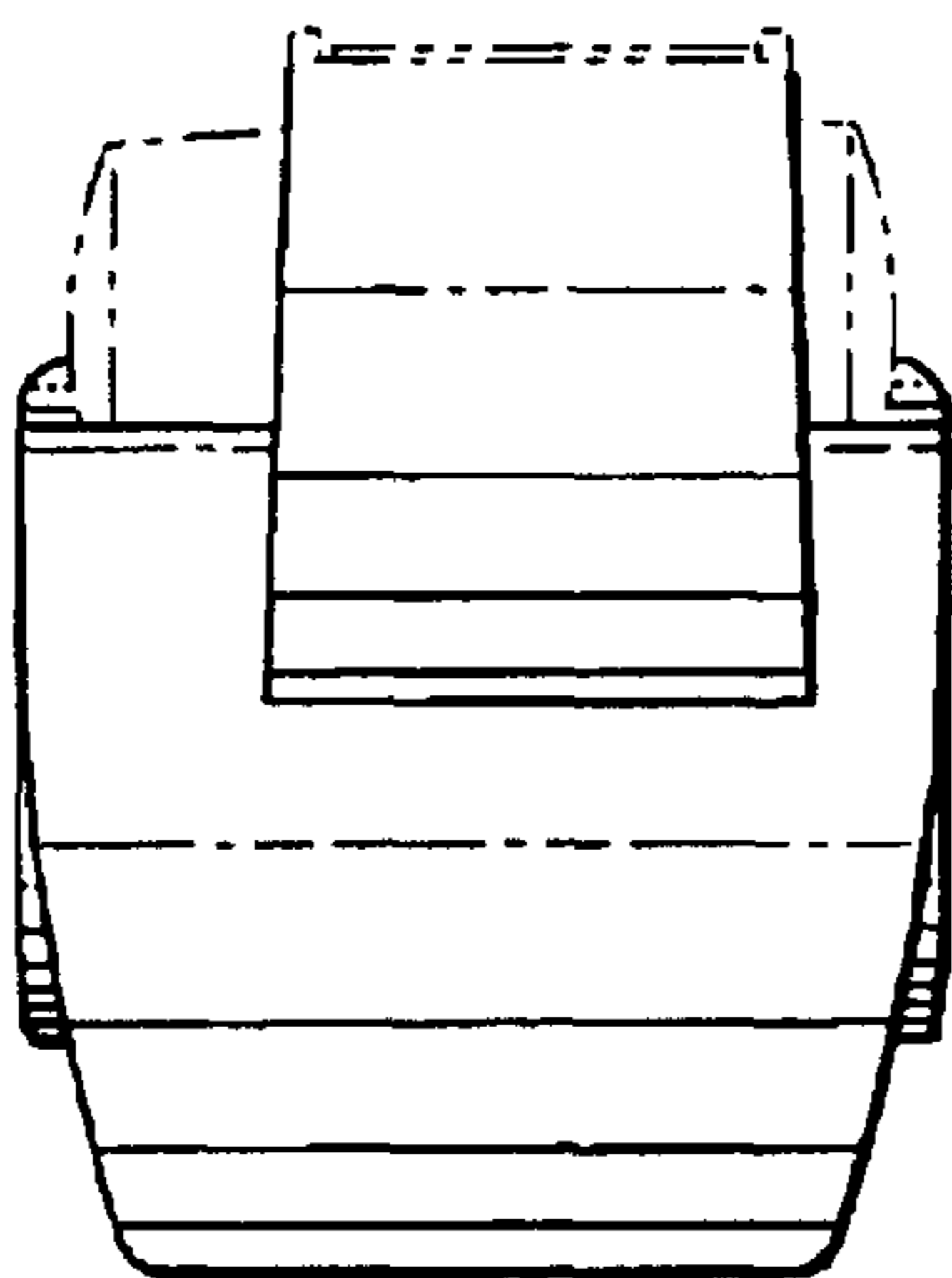


Fig. 6

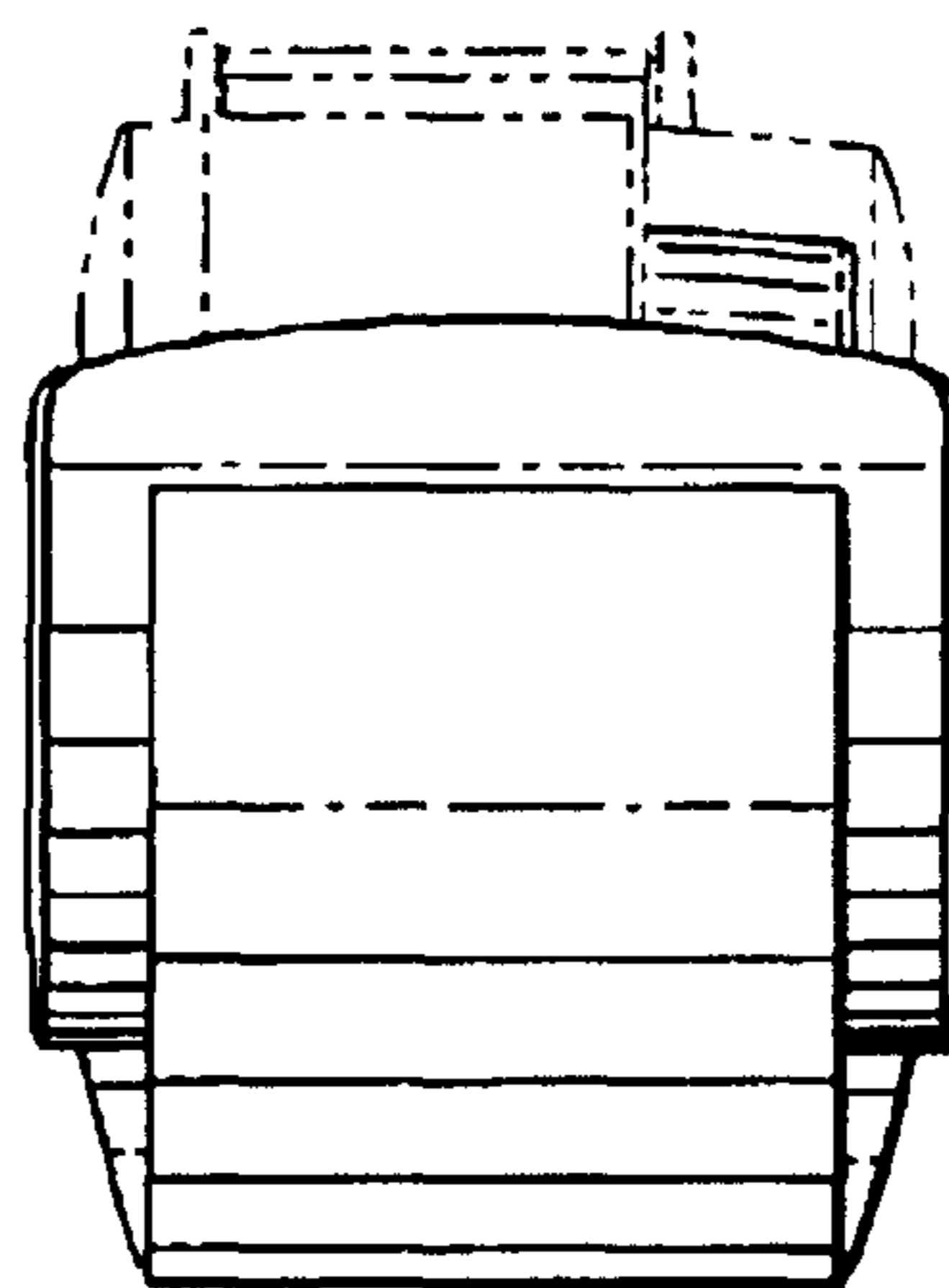


Fig. 7

UNITED STATES PATENT AND TRADEMARK OFFICE
CERTIFICATE OF CORRECTION

PATENT NO. : Des. 496,690 S
DATED : September 28, 2004
INVENTOR(S) : Crawford, Dennis L.

Page 1 of 1

It is certified that error appears in the above-identified patent and that said Letters Patent is hereby corrected as shown below:

Title page,

Item [73], Assignee, delete "**Image**" and insert in place thereof -- **Innovative** --.

Signed and Sealed this

First Day of February, 2005

A handwritten signature in black ink on a light gray dotted background. The signature reads "Jon W. Dudas" in a cursive style.

JON W. DUDAS

Director of the United States Patent and Trademark Office