

US00D496686S1

(12) **United States Design Patent**  
**Lui et al.**

(10) **Patent No.:** **US D496,686 S**  
(45) **Date of Patent:** **\*\* Sep. 28, 2004**

(54) **INK BOX CLIP**

(75) Inventors: **Pui Kuong Lui**, Kowloon (HK); **Yiu Cheong Law**, Kowloon (HK)

(73) Assignee: **Monitek Electronics Limited**, Kowloon (HK)

(\*\*) Term: **14 Years**

(21) Appl. No.: **29/178,457**

(22) Filed: **Mar. 25, 2003**

(51) **LOC (7) Cl.** ..... **18-02**

(52) **U.S. Cl.** ..... **D18/56**

(58) **Field of Search** ..... D18/40, 43, 56;  
347/86-87

(56) **References Cited**

**U.S. PATENT DOCUMENTS**

D422,632 S \* 4/2000 Chung et al. .... D18/56  
D473,895 S \* 4/2003 Yan ..... D18/56  
D473,896 S \* 4/2003 Yan ..... D18/56

D478,120 S \* 8/2003 Hwang et al. .... D18/56

\* cited by examiner

*Primary Examiner*—Cathy Anne MacCormac  
(74) *Attorney, Agent, or Firm*—Rosenberg, Klein & Lee

(57) **CLAIM**

The ornamental design for an “ink box clip”, as shown and described.

**DESCRIPTION**

FIG. 1 is a perspective view of an “ink box clip” showing our new design;

FIG. 2 is a front view thereof;

FIG. 3 is a rear view thereof;

FIG. 4 is a left side view thereof;

FIG. 5 is a right side view thereof;

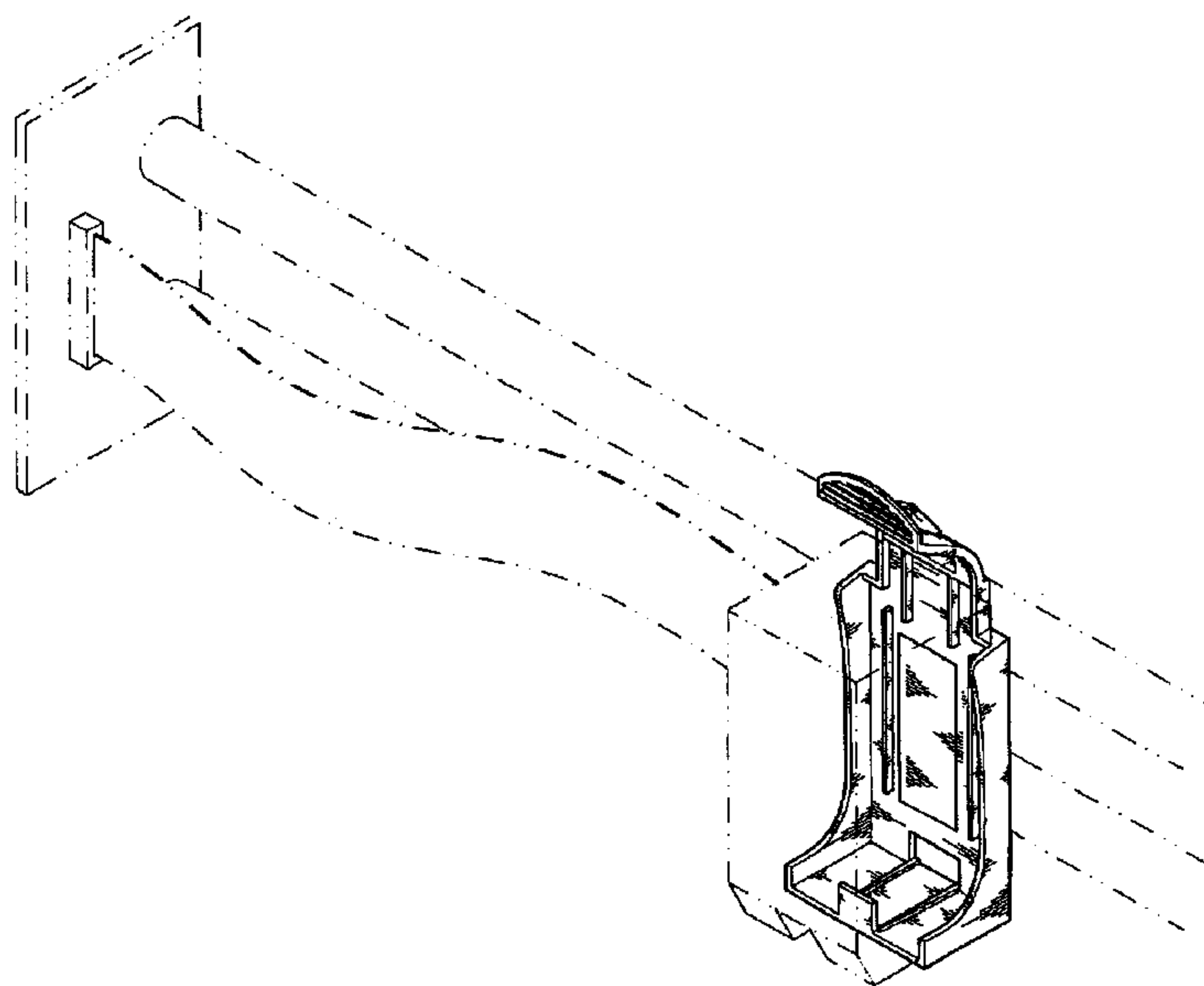
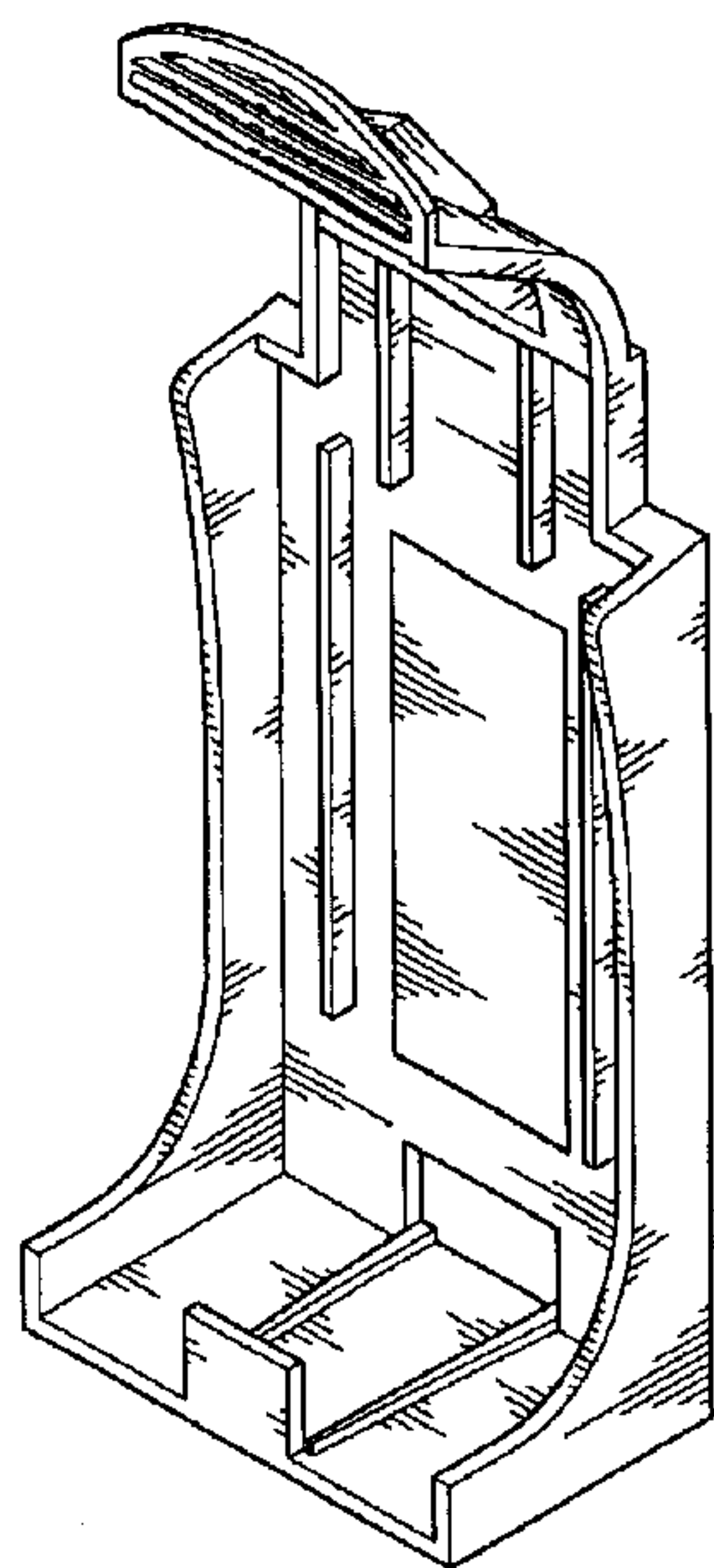
FIG. 6 is a top view thereof;

FIG. 7 is a bottom view thereof; and,

FIG. 8 is another perspective view thereof showing the article in use.

The broken lines are for purposes of illustration only and form no part of the claimed design.

**1 Claim, 5 Drawing Sheets**



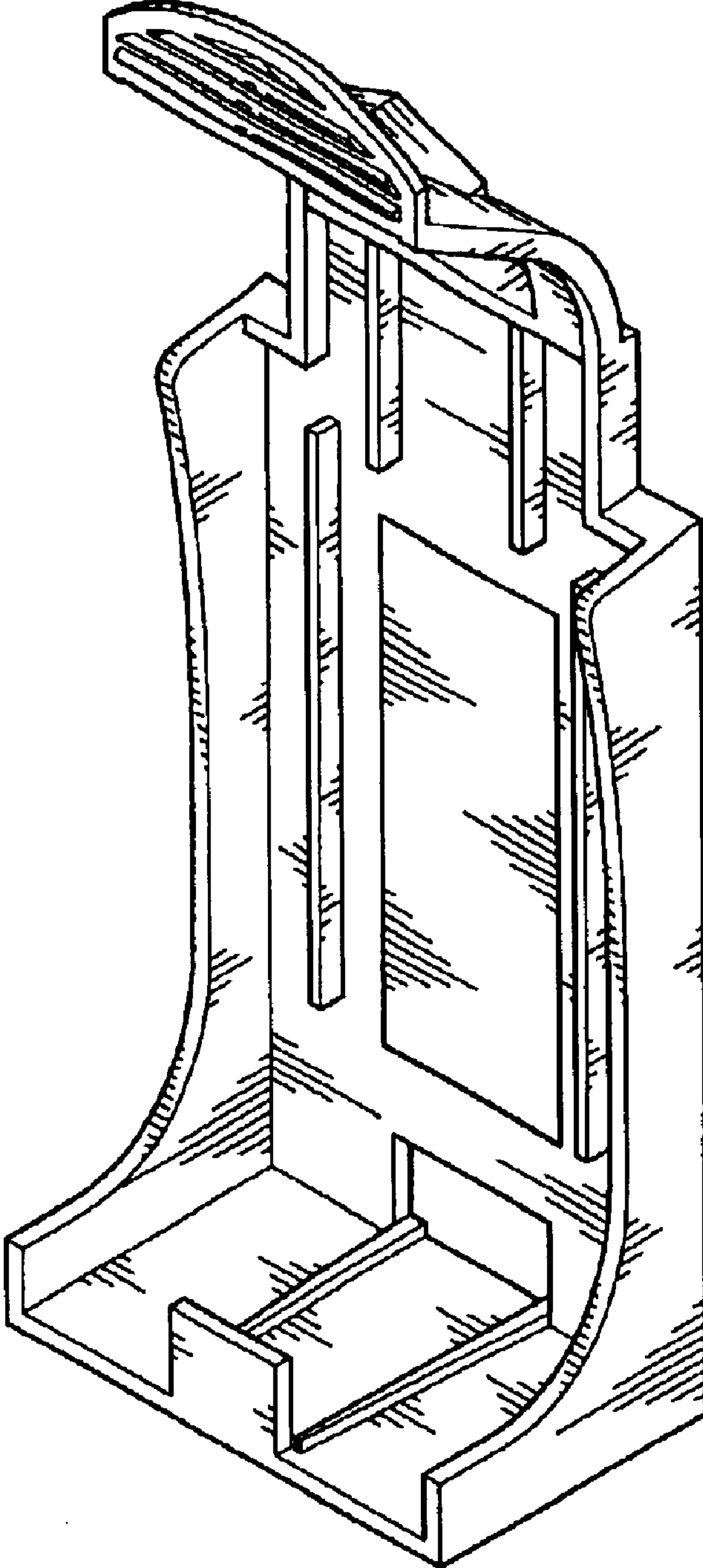


FIG. 1

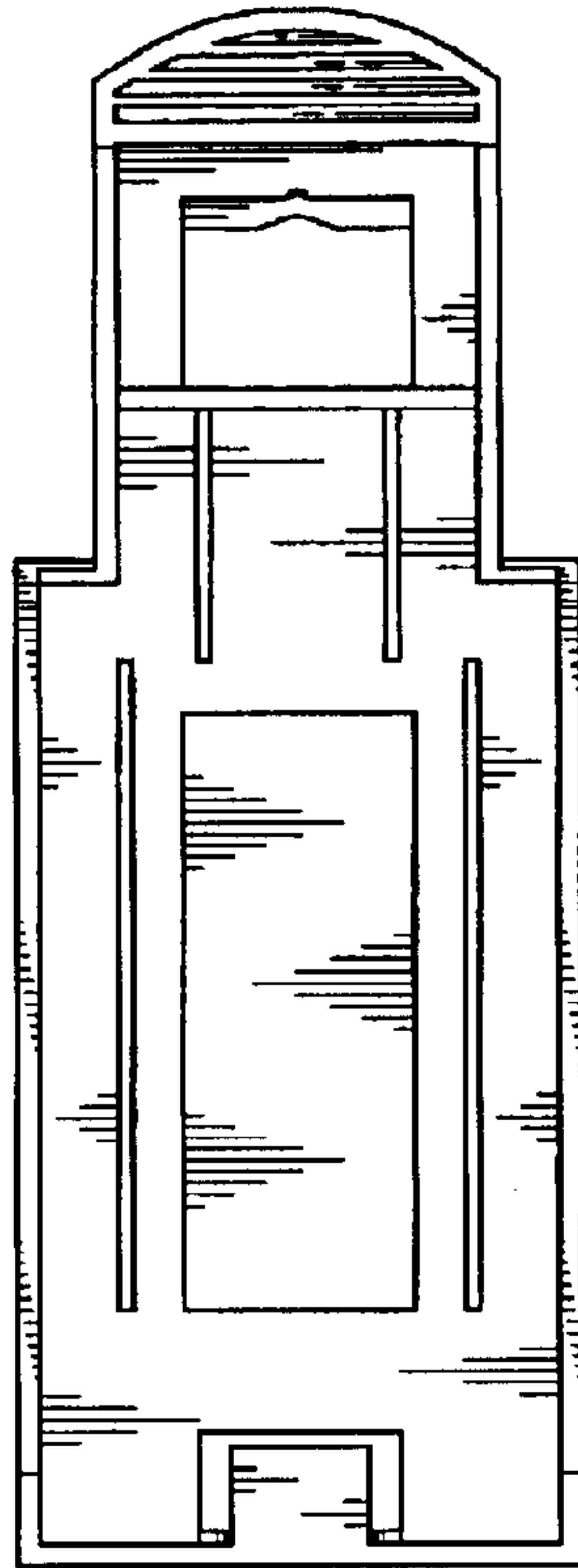


FIG. 2

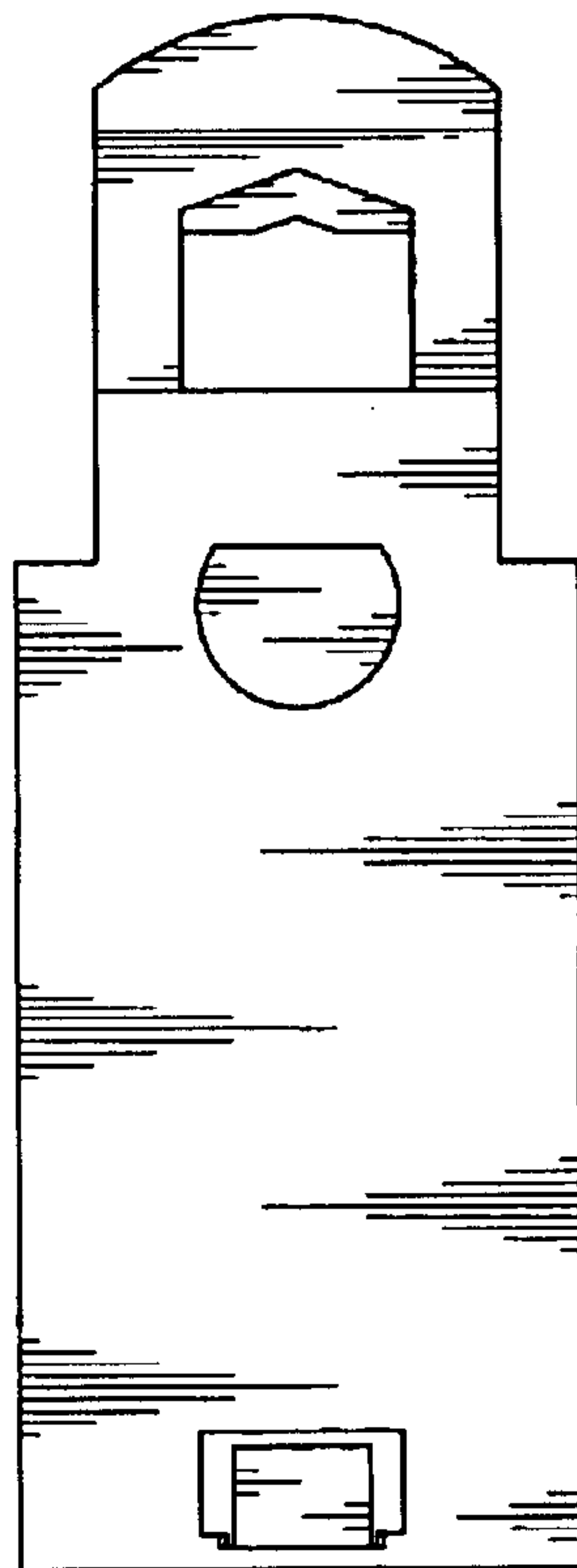


FIG. 3

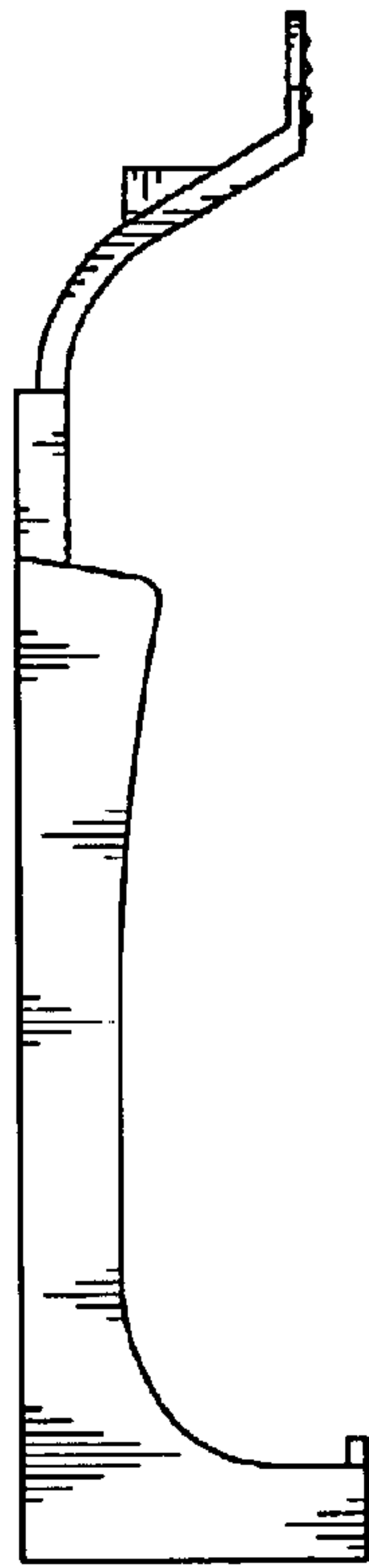


FIG. 4

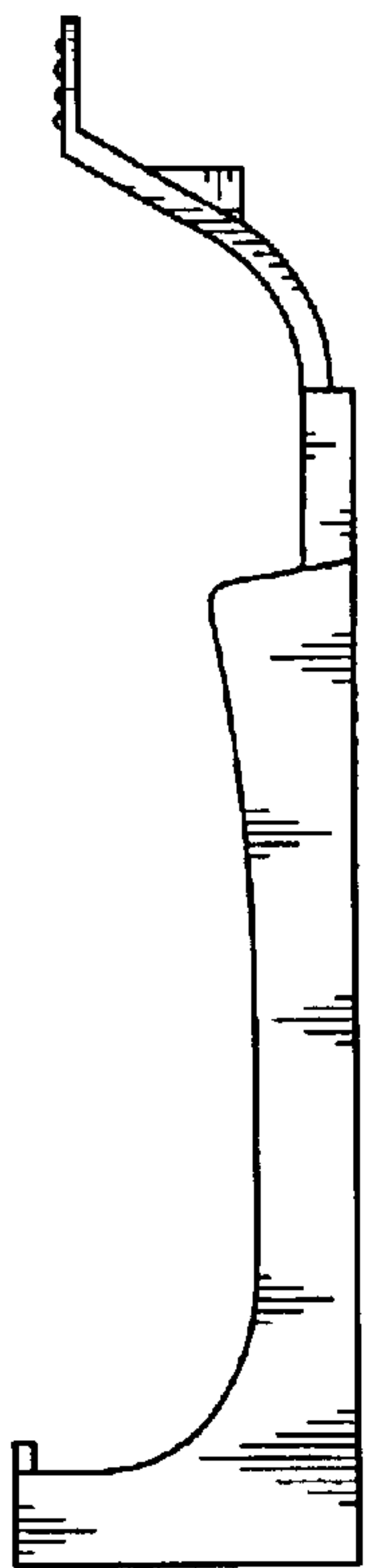


FIG. 5

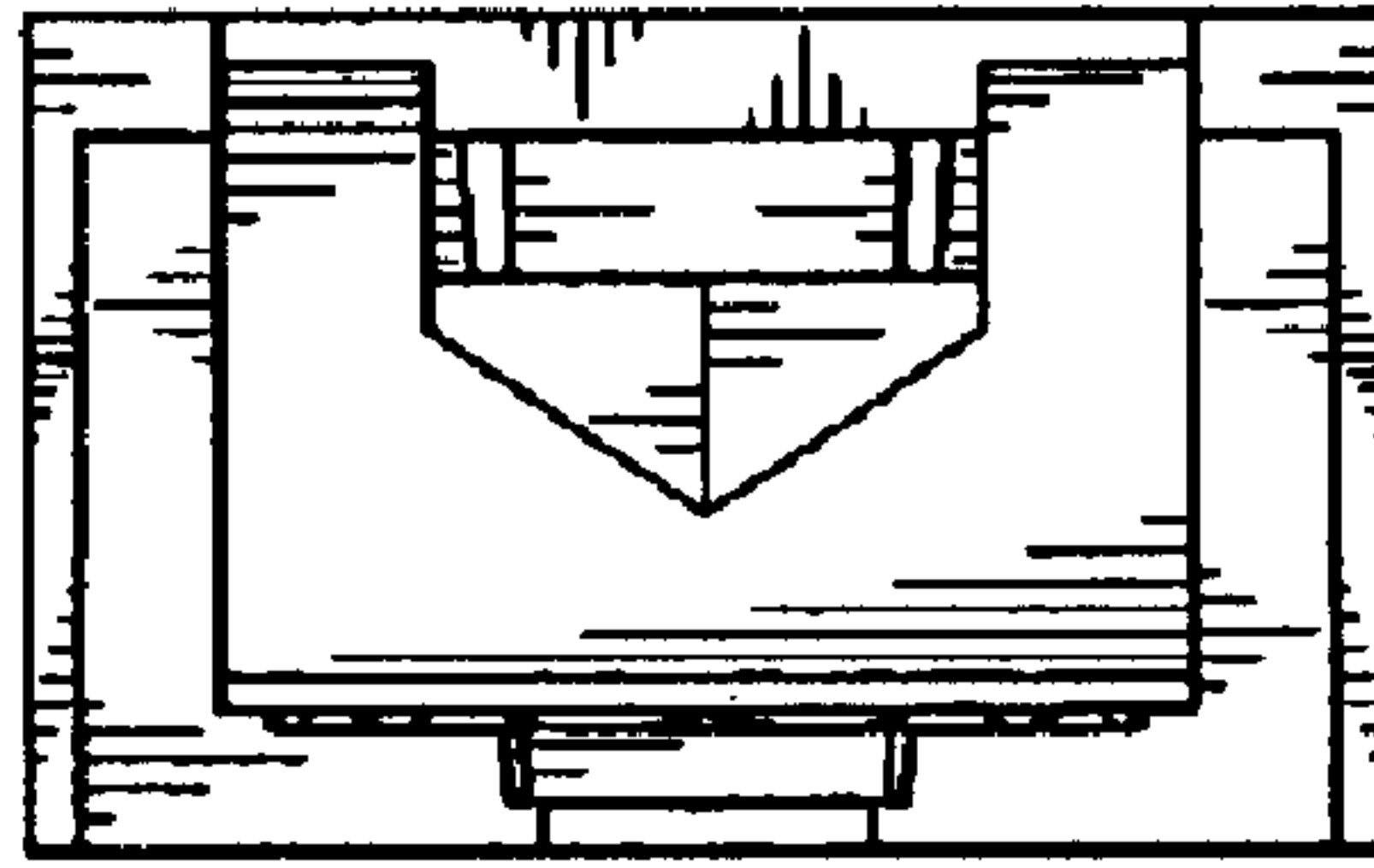


FIG. 6

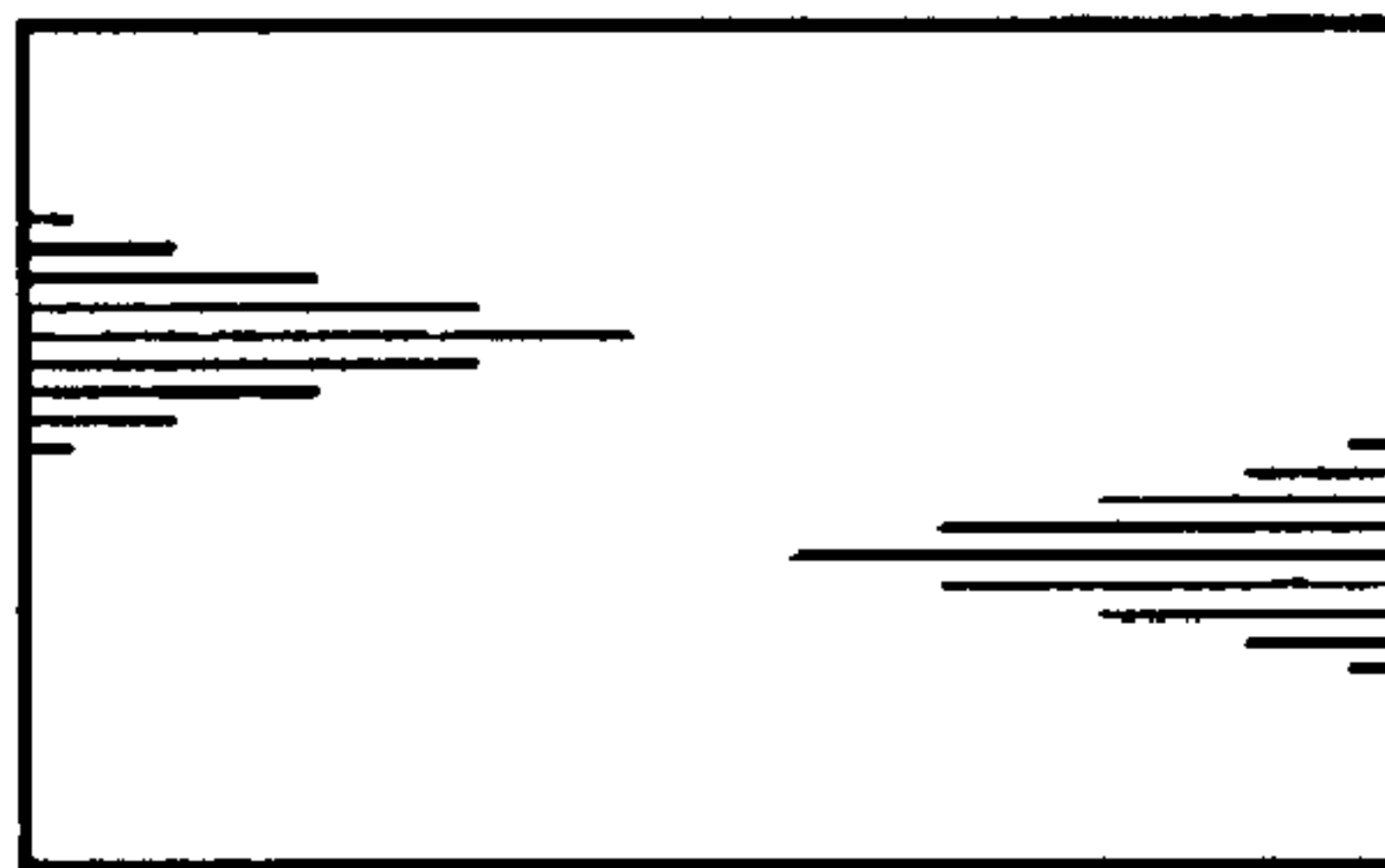


FIG. 7

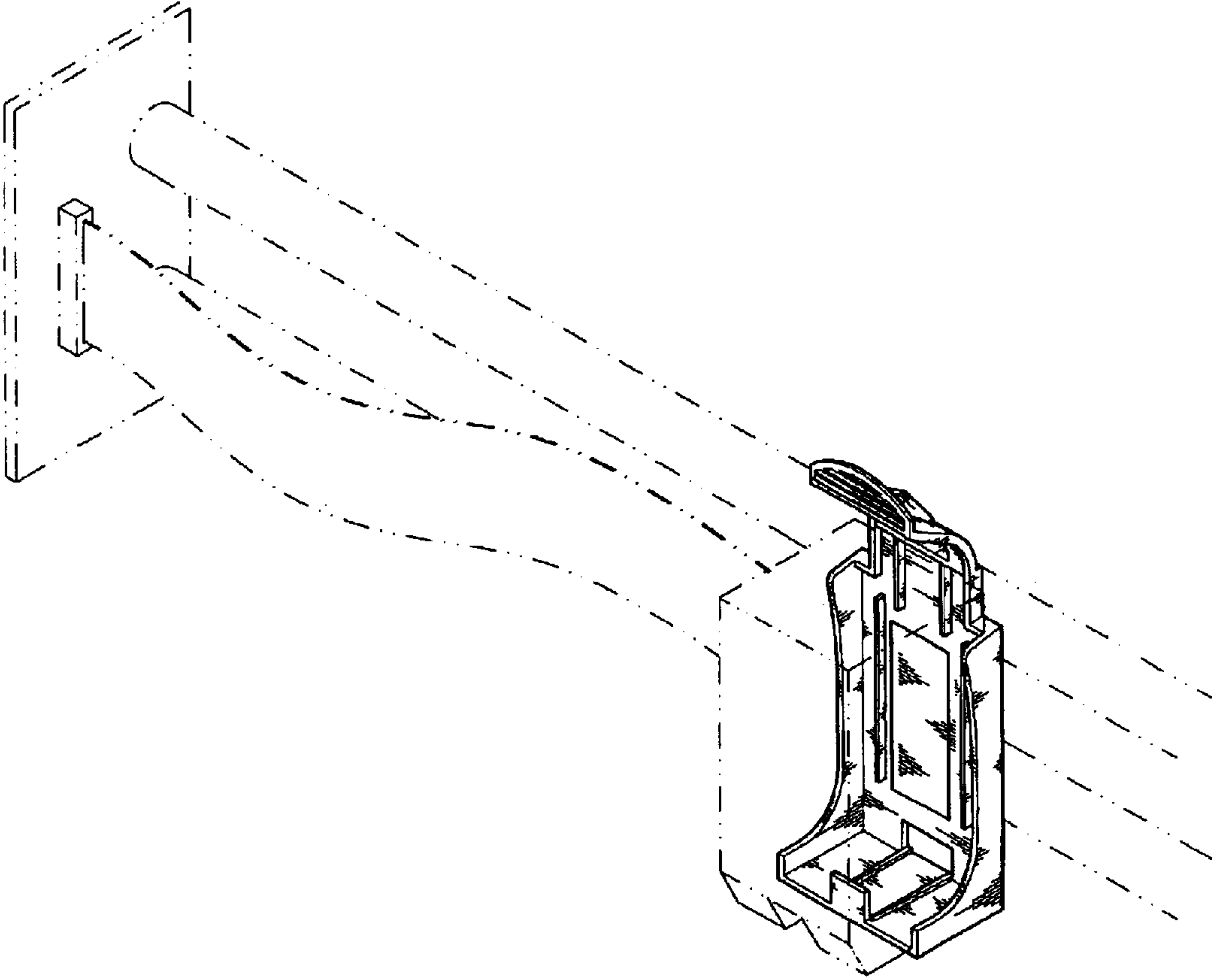


FIG. 8