

US00D496678S1

(12) **United States Design Patent**  
**Kawase**

(10) **Patent No.: US D496,678 S**  
(45) **Date of Patent: \*\* Sep. 28, 2004**

(54) **CAMERA**

(75) **Inventor: Atsushi Kawase, Tokyo (JP)**

(73) **Assignee: Sony Corporation, Tokyo (JP)**

(\*\*) **Term: 14 Years**

(21) **Appl. No.: 29/193,244**

(22) **Filed: Nov. 7, 2003**

(51) **LOC (7) Cl. .... 16-01**

(52) **U.S. Cl. .... D16/218; D16/202**

(58) **Field of Search .... D16/200-205,  
D16/208, 209, 211, 212, 218, 219; 348/373-376;  
358/906, 909.1; 396/348, 448, 535-541**

(56) **References Cited**

**U.S. PATENT DOCUMENTS**

D355,432 S	*	2/1995	Oshima	.....	D16/209
D372,723 S	*	8/1996	Schaefer et al.	.....	D16/209
5,970,265 A	*	10/1999	Schelling	.....	D396/348
D423,544 S	*	4/2000	Yamamoto et al.	.....	D16/218
D444,489 S	*	7/2001	Suto et al.	.....	D16/218
D468,332 S	*	1/2003	Ito	.....	D16/202
D474,797 S	*	5/2003	Komatsu	.....	D16/218
D477,621 S	*	7/2003	Katayama	.....	D16/202

**FOREIGN PATENT DOCUMENTS**

JP	D1009651 S	5/1998
JP	D1010675 S	5/1998
JP	D1029970 S	1/1999
JP	D1030006 S	1/1999
JP	D1066047 S	4/2000

JP	D1066048 S	4/2000
JP	D1093746 S	12/2000
JP	D1162508 S	1/2003

**OTHER PUBLICATIONS**

Web page "Sony eCatalog, DSC-U20" <http://www.ecat.sony.co.jp/camera/dsc/products/index.cfm?PD=10557&KM=DSC-U20>, 1 sheet, Sony Marketing (Japan) Inc. (Aug. 2003).

Web page "DSC-U30" 2 sheets, Sony Marketing (Japan) Inc. (Sep. 2003 at the latest).

Web page "DSC-U10" 1 sheet, Sony (Sep. 2003 at the latest).

\* cited by examiner

*Primary Examiner*—Adir Aronovich

(74) *Attorney, Agent, or Firm*—Rader, Fishman & Grauer PLLC

(57) **CLAIM**

The ornamental design for a camera, as shown.

**DESCRIPTION**

FIG. 1 is a perspective view of a camera showing my new design;

FIG. 2 is a front elevational view thereof;

FIG. 3 is a rear elevational view thereof;

FIG. 4 is a left side elevational view thereof;

FIG. 5 is a right side elevational view thereof;

FIG. 6 is a top plan view thereof; and,

FIG. 7 is a bottom plan view thereof.

**1 Claim, 4 Drawing Sheets**

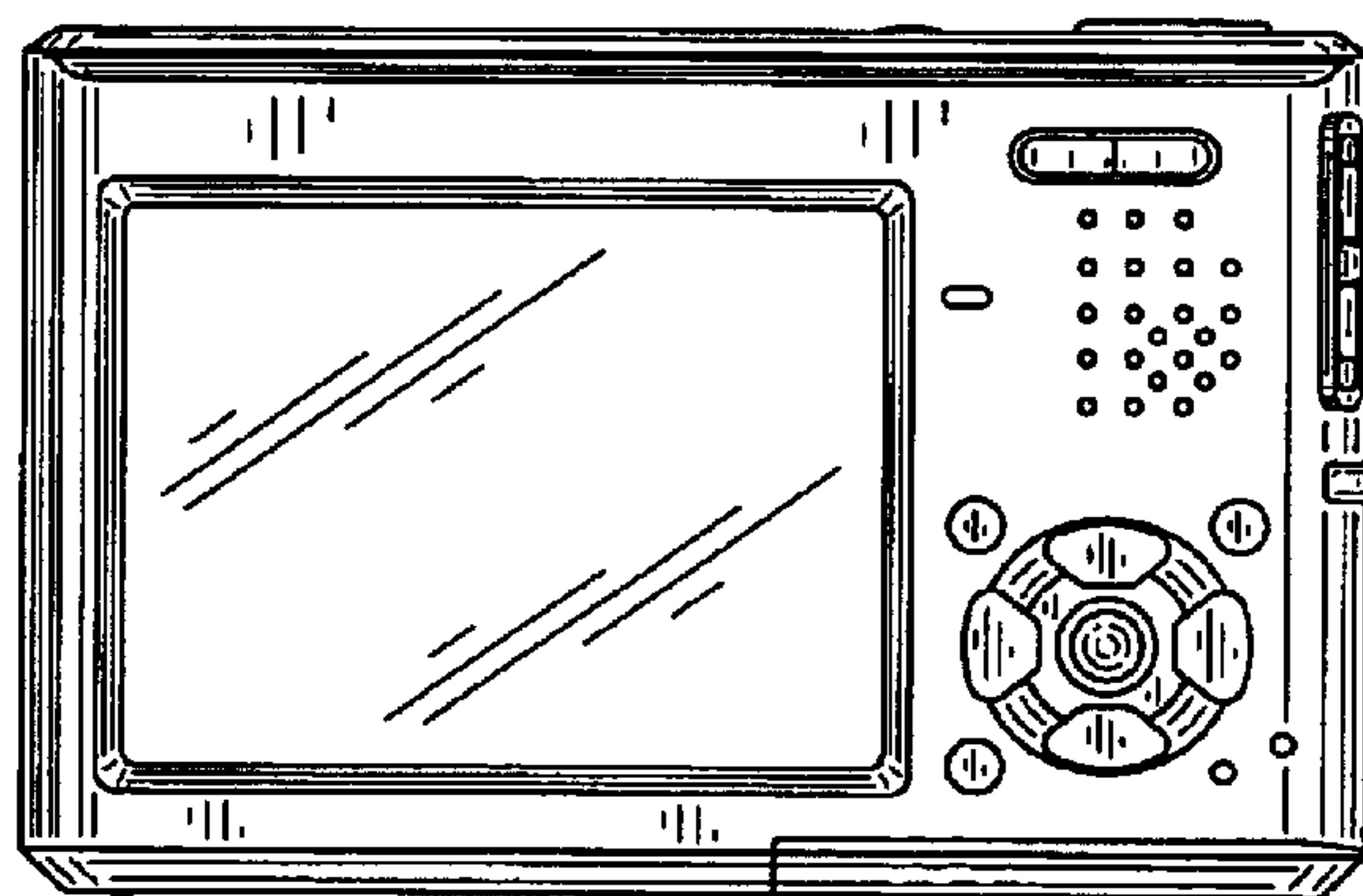
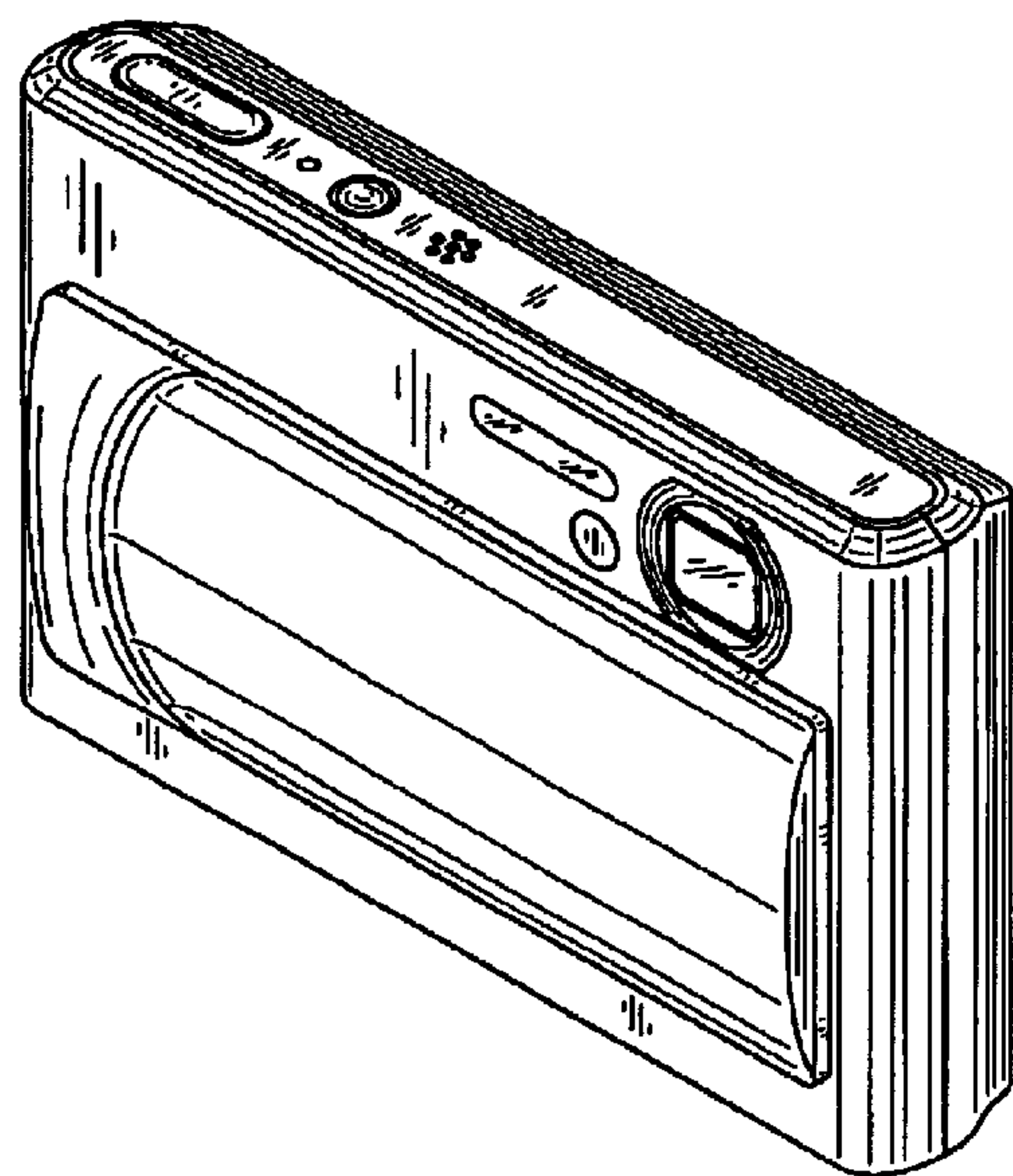


Fig. 1

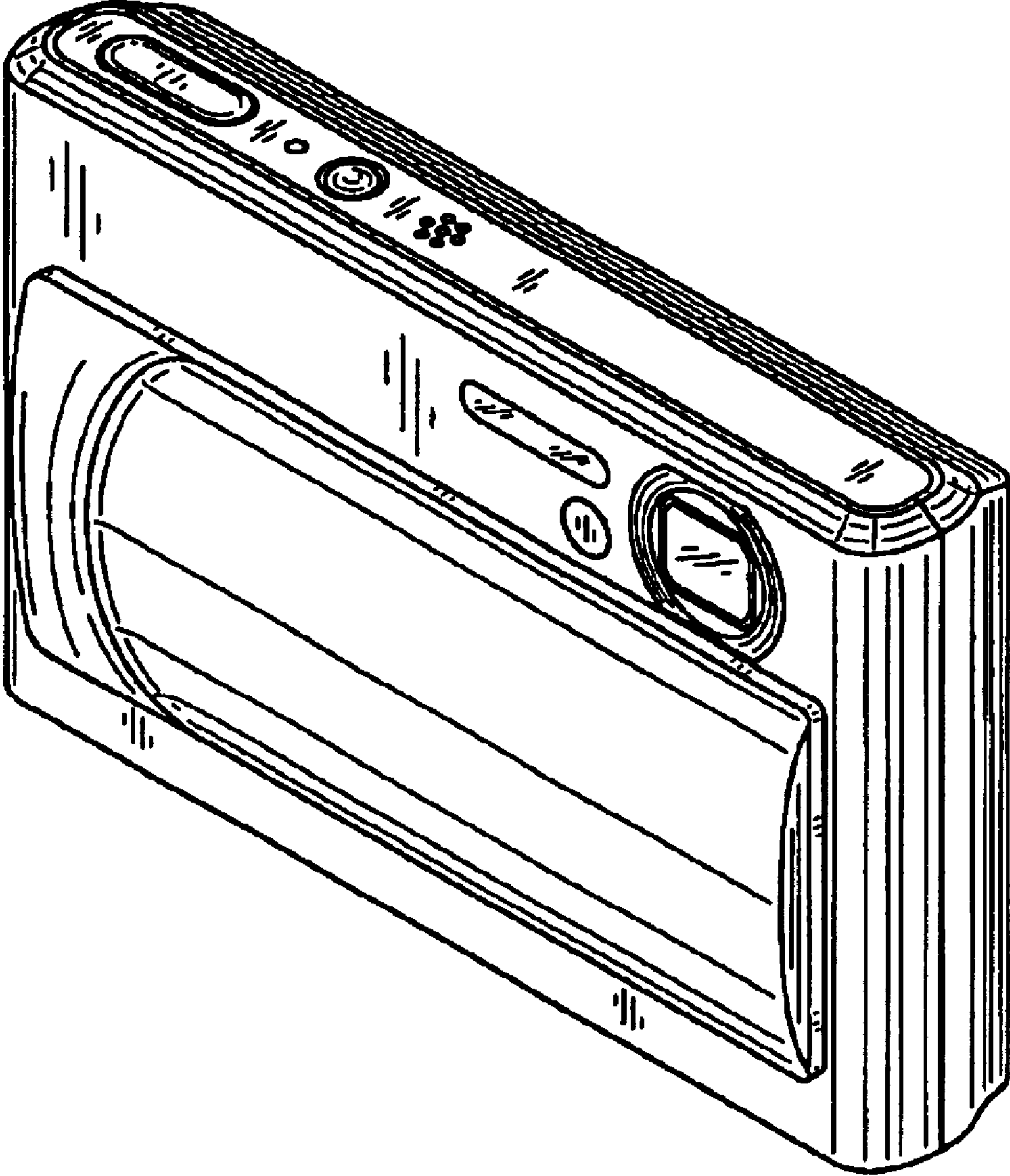


Fig.2

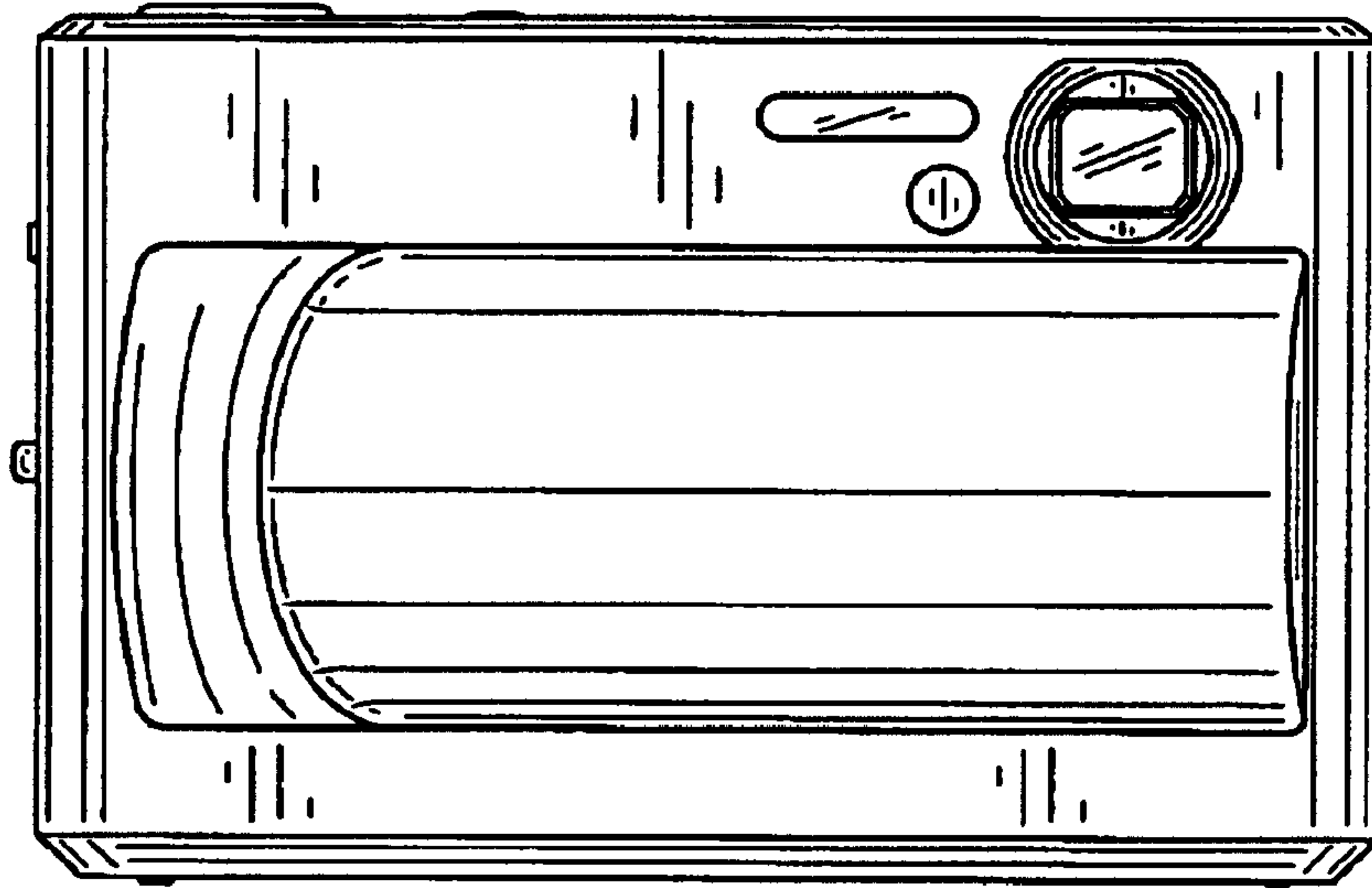


Fig.3

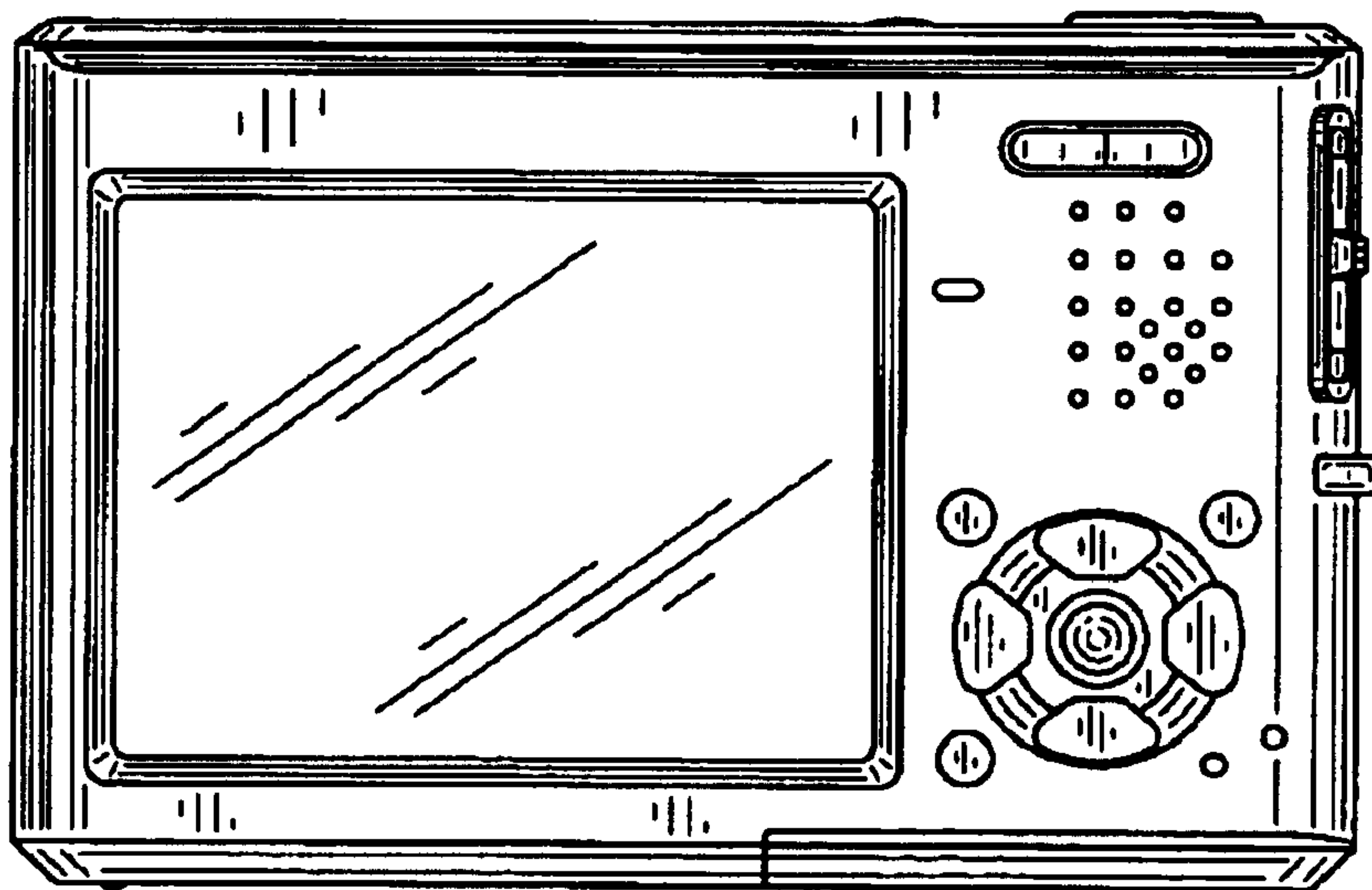


Fig.4

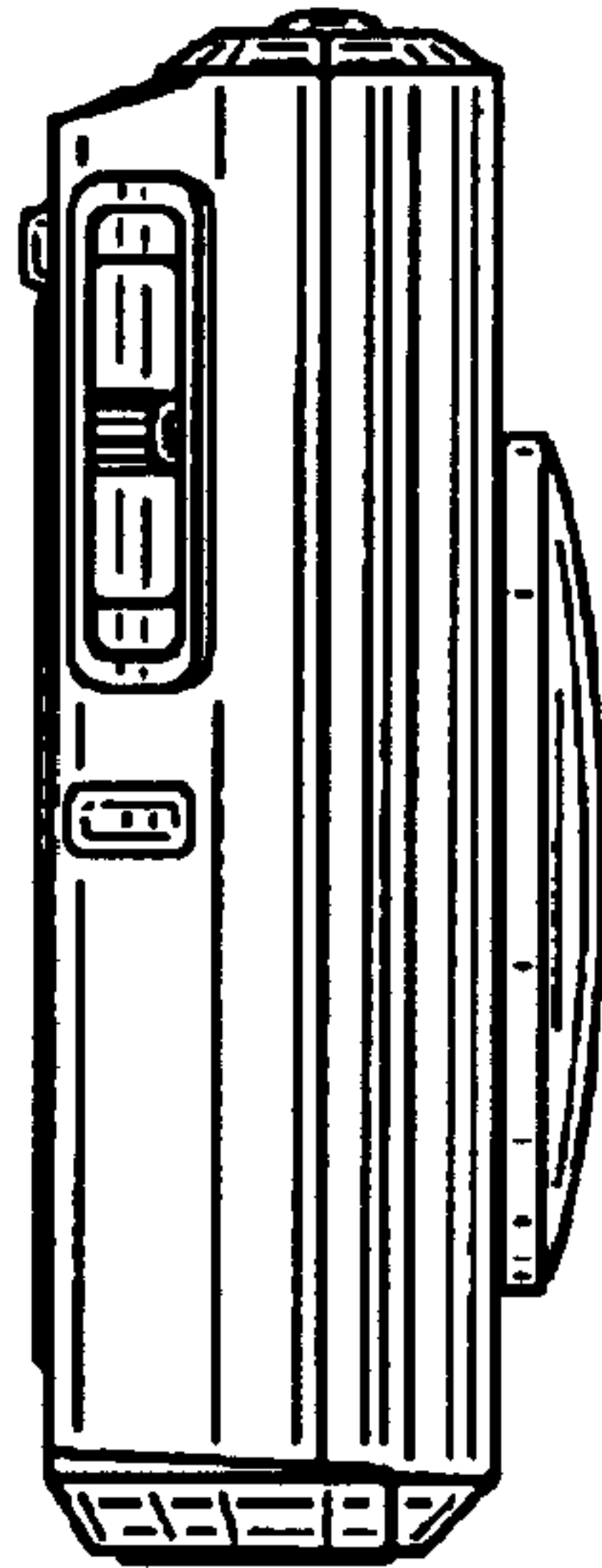


Fig.5

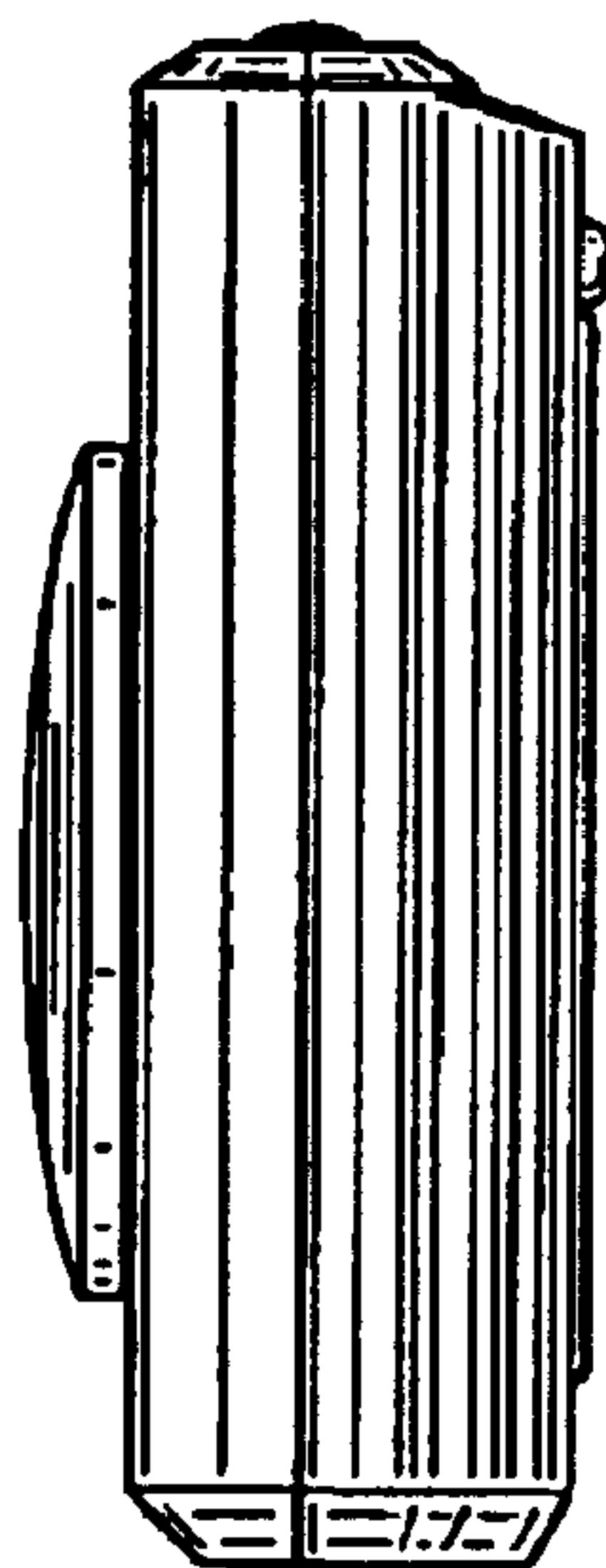


Fig.6

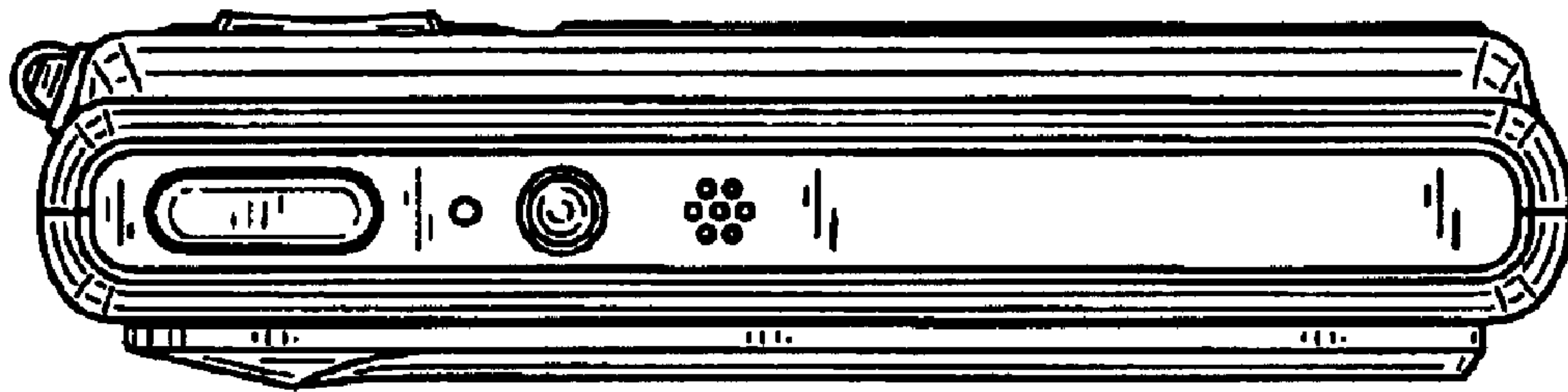


Fig.7

