

US00D496677S1

(12) **United States Design Patent**
Maeno et al.

(10) **Patent No.:** **US D496,677 S**

(45) **Date of Patent:** **** Sep. 28, 2004**

(54) **COMBINED RADIATION THERMOMETER
AND CAMERA**

(75) Inventors: **Akio Maeno**, Kyoto (JP); **Yuiji
Tsujioka**, Kyoto (JP)

(73) Assignees: **Horiba, Ltd.**, Kyoto (JP); **Tech-Jam
Co., Ltd.**, Osaka (JP)

(**) Term: **14 Years**

(21) Appl. No.: **29/167,281**

(22) Filed: **Sep. 12, 2002**

(51) **LOC (7) Cl.** **16-01**

(52) **U.S. Cl.** **D16/208; D10/47**

(58) **Field of Search** D10/47, 51, 57;
D16/200, 201, 202, 208, 218; 250/336.1;
348/211.4; 396/429

(56) **References Cited**

U.S. PATENT DOCUMENTS

D215,120 S * 9/1969 Estes D10/47
D233,360 S * 10/1974 Ortega et al. D16/200
D342,681 S * 12/1993 Mackay D10/57

D352,949 S * 11/1994 Kondo D16/202
5,928,150 A * 7/1999 Call 250/336.1
2002/0089592 A1 * 7/2002 Hashimoto et al. 348/211.4

* cited by examiner

Primary Examiner—Adir Aronovich

(74) *Attorney, Agent, or Firm*—Sughrue Mion, PLLC

(57) **CLAIM**

The ornamental design for a combined radiation thermom-
eter and camera, as shown and described.

DESCRIPTION

FIG. 1 is a perspective view of the top, front and left side of
a combined radiation thermometer and camera with the
viewer in the open position showing our new design;

FIG. 2 is a front view thereof;

FIG. 3 is a top view thereof;

FIG. 4 is a rear view thereof;

FIG. 5 is a right side view thereof;

FIG. 6 is a left side view thereof;

FIG. 7 is a bottom view thereof; and,

FIG. 8 is a view similar to FIG. 1 with the viewer in the
closed position.

1 Claim, 4 Drawing Sheets

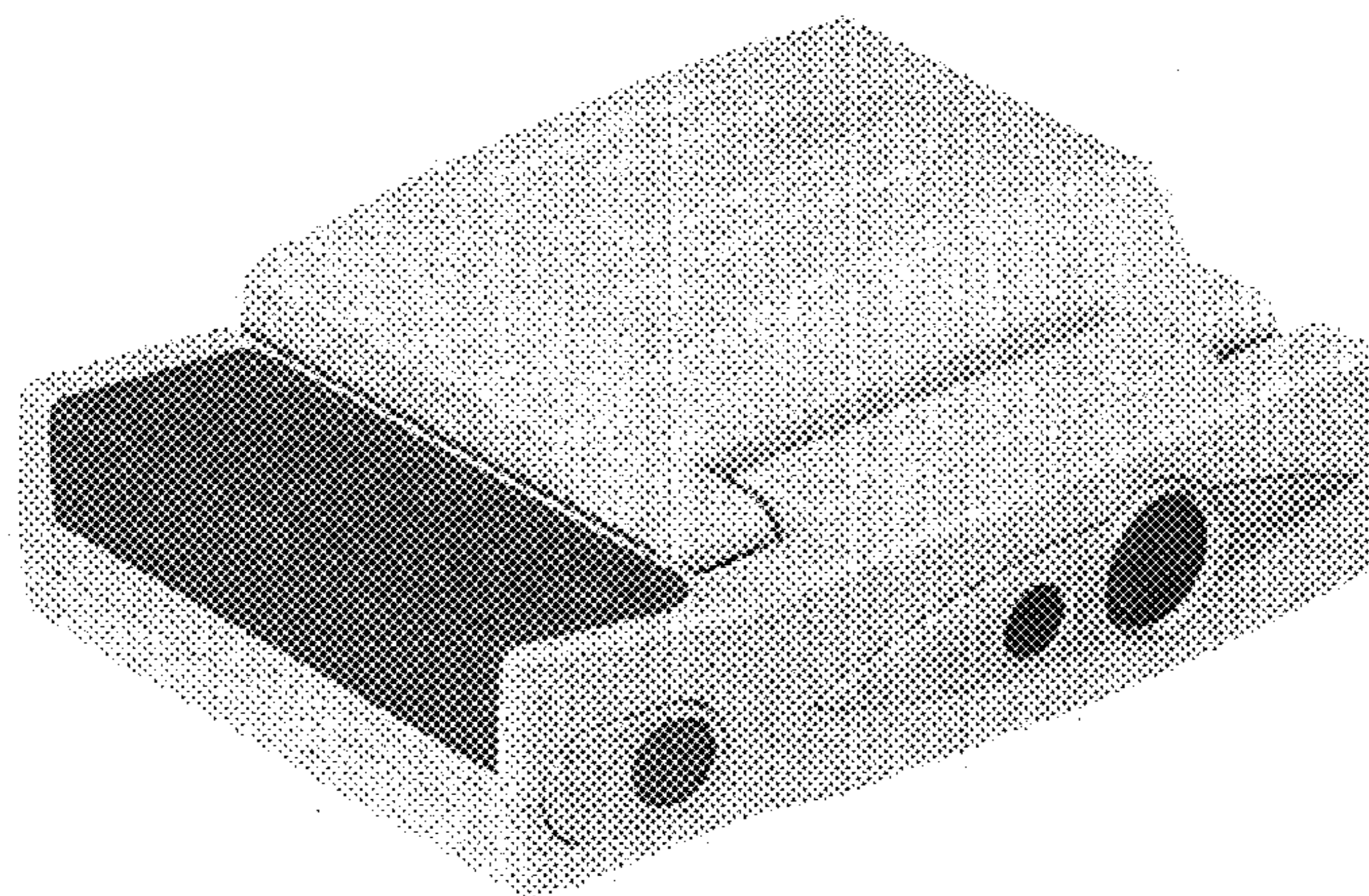
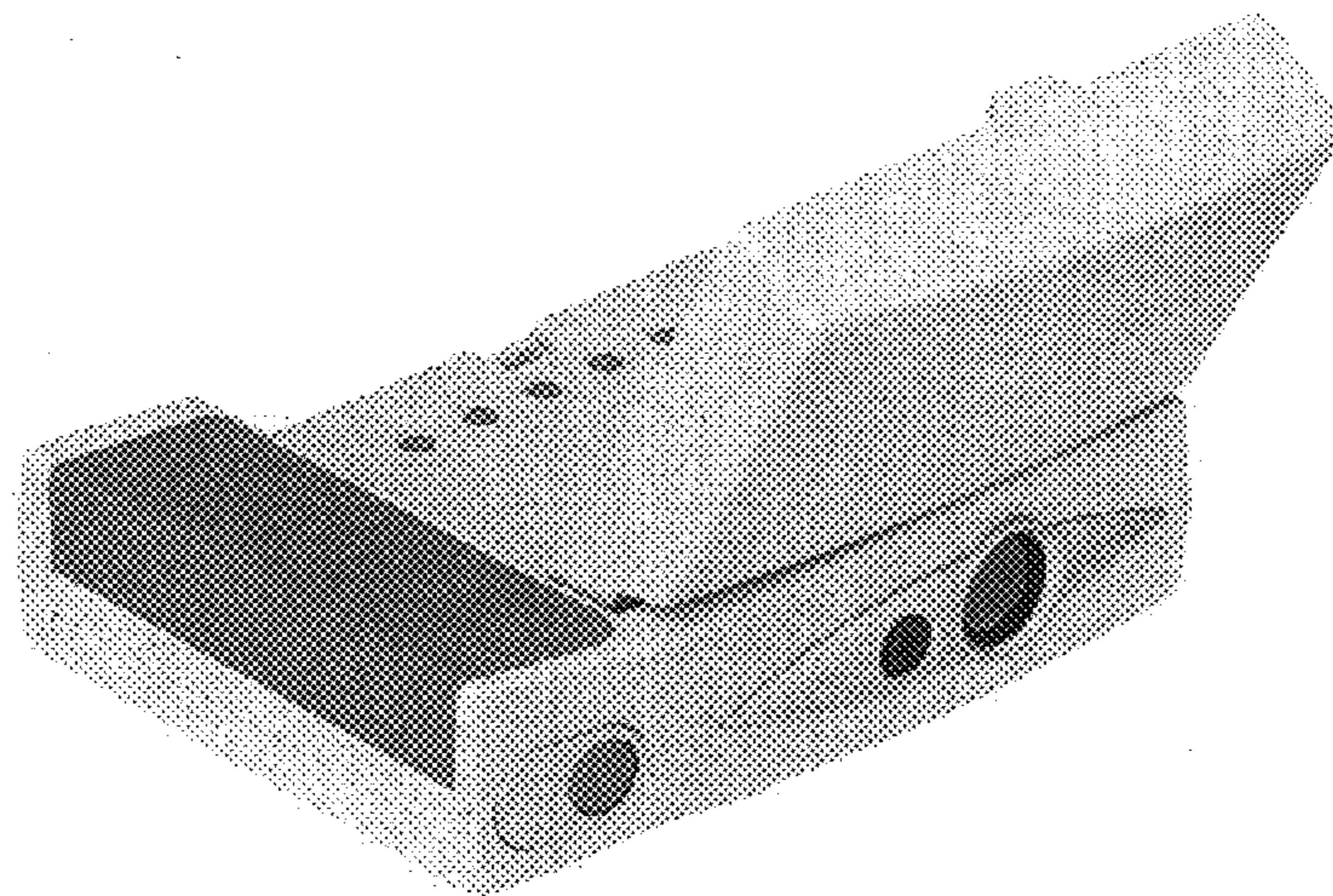


FIG. 1

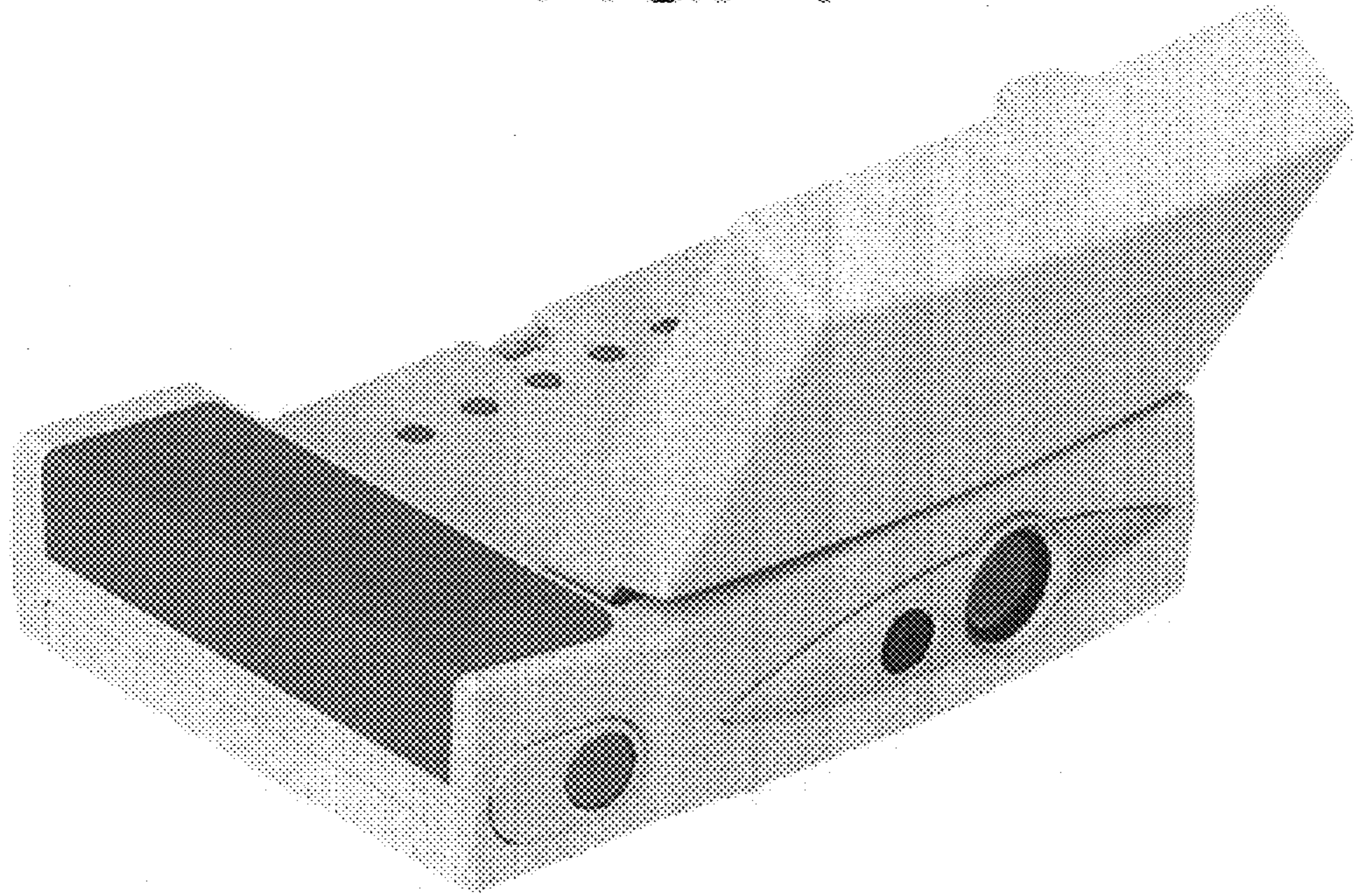


FIG. 2

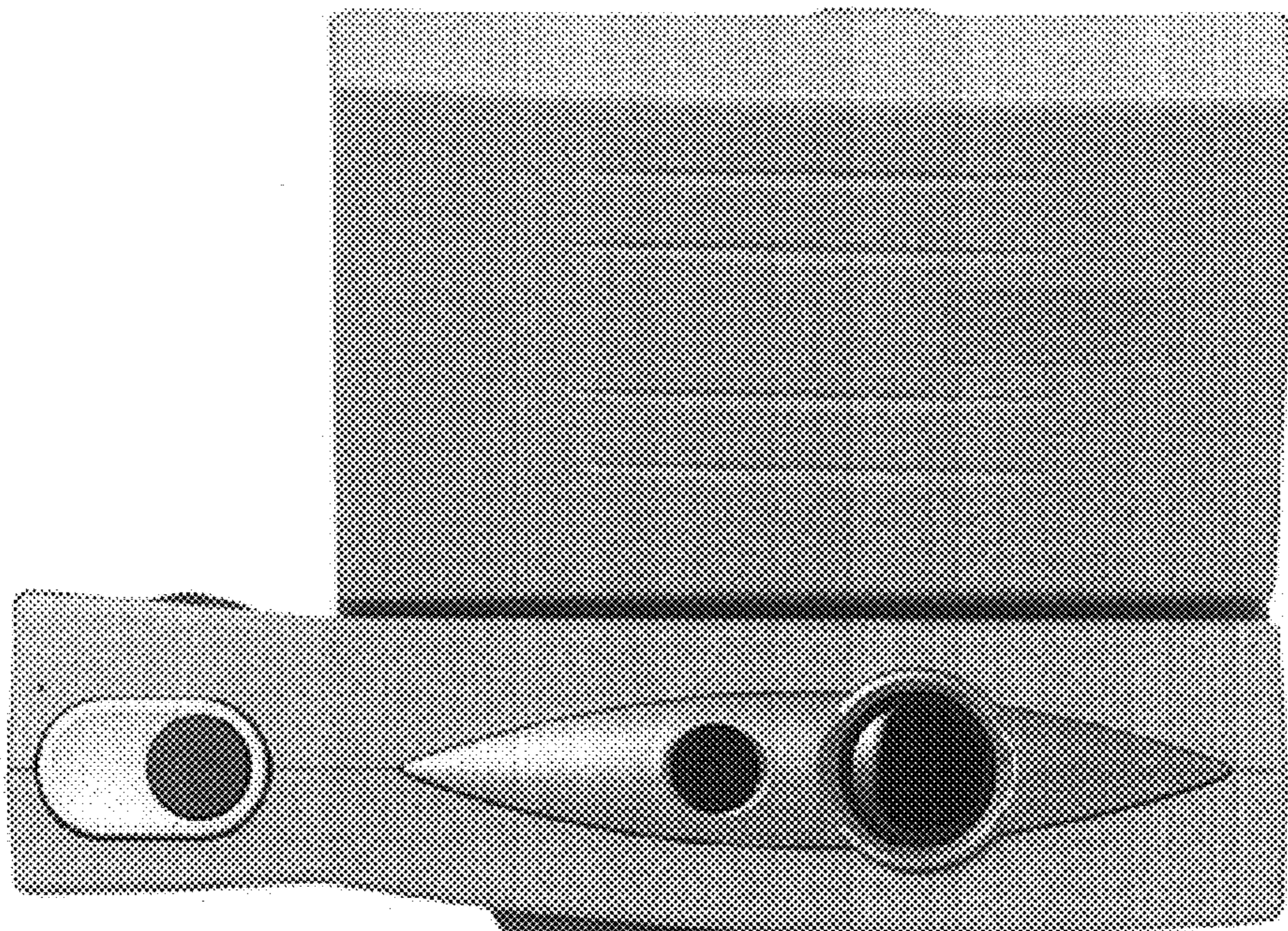


FIG. 3

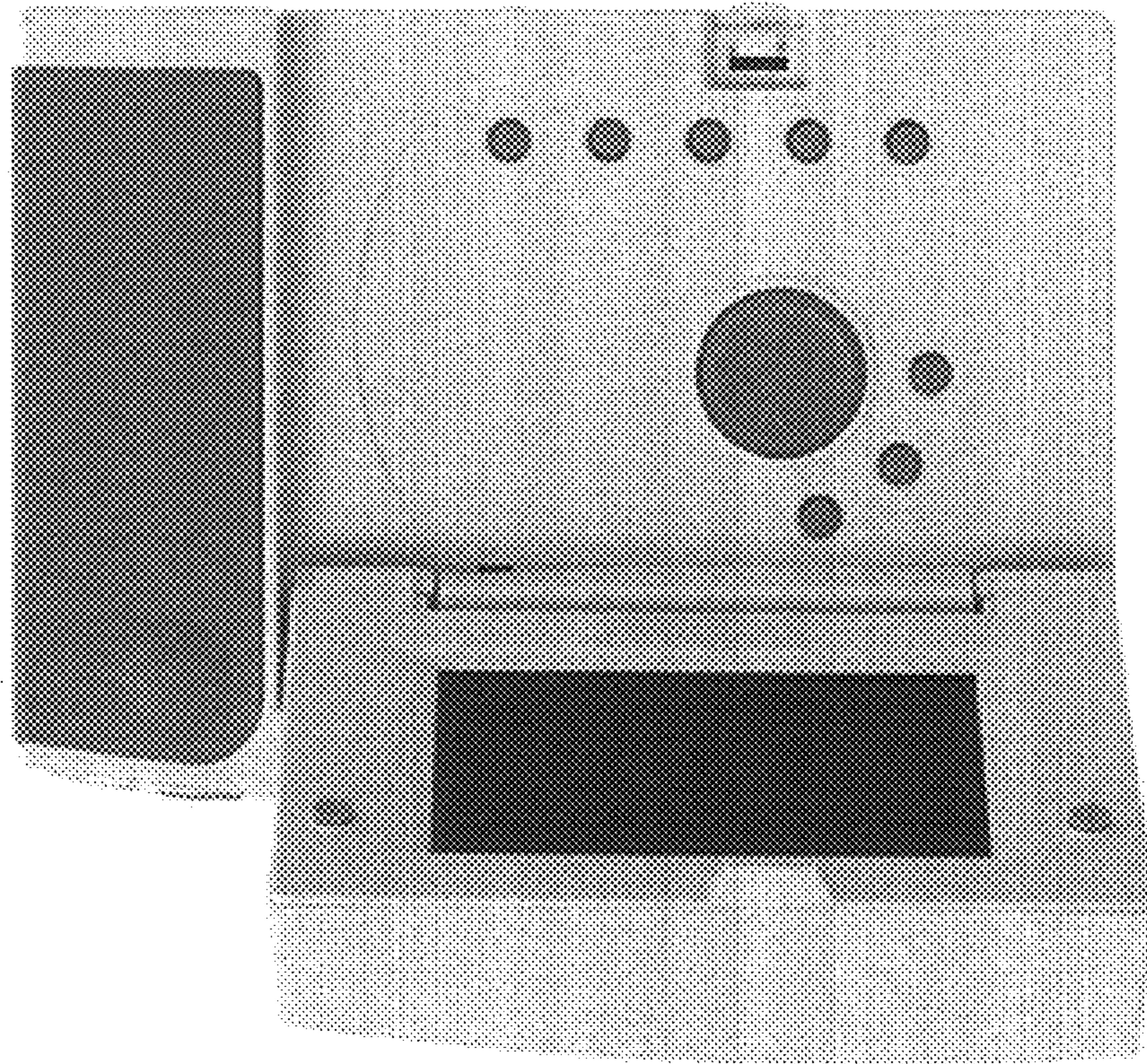


FIG. 4

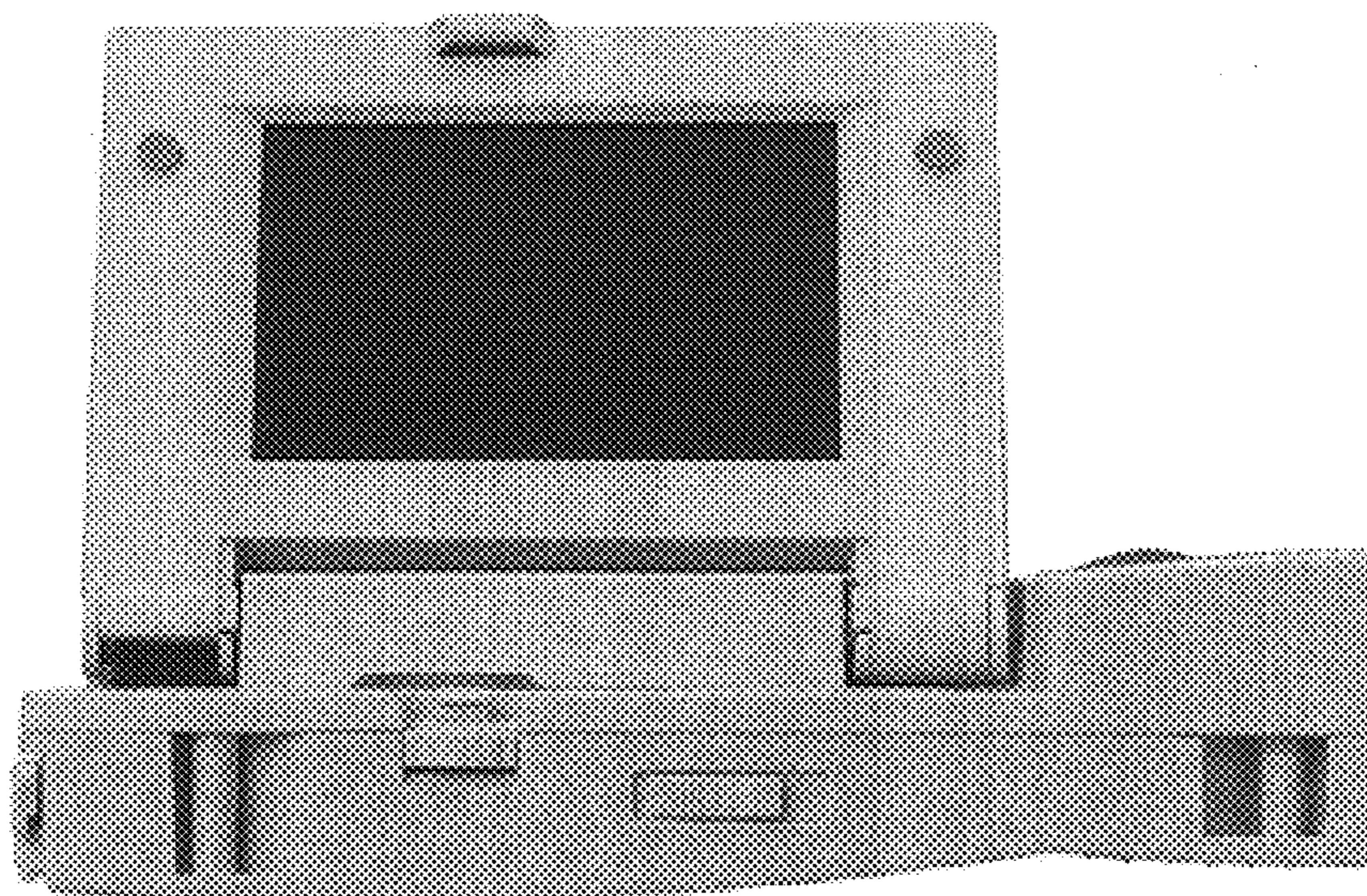


FIG. 5

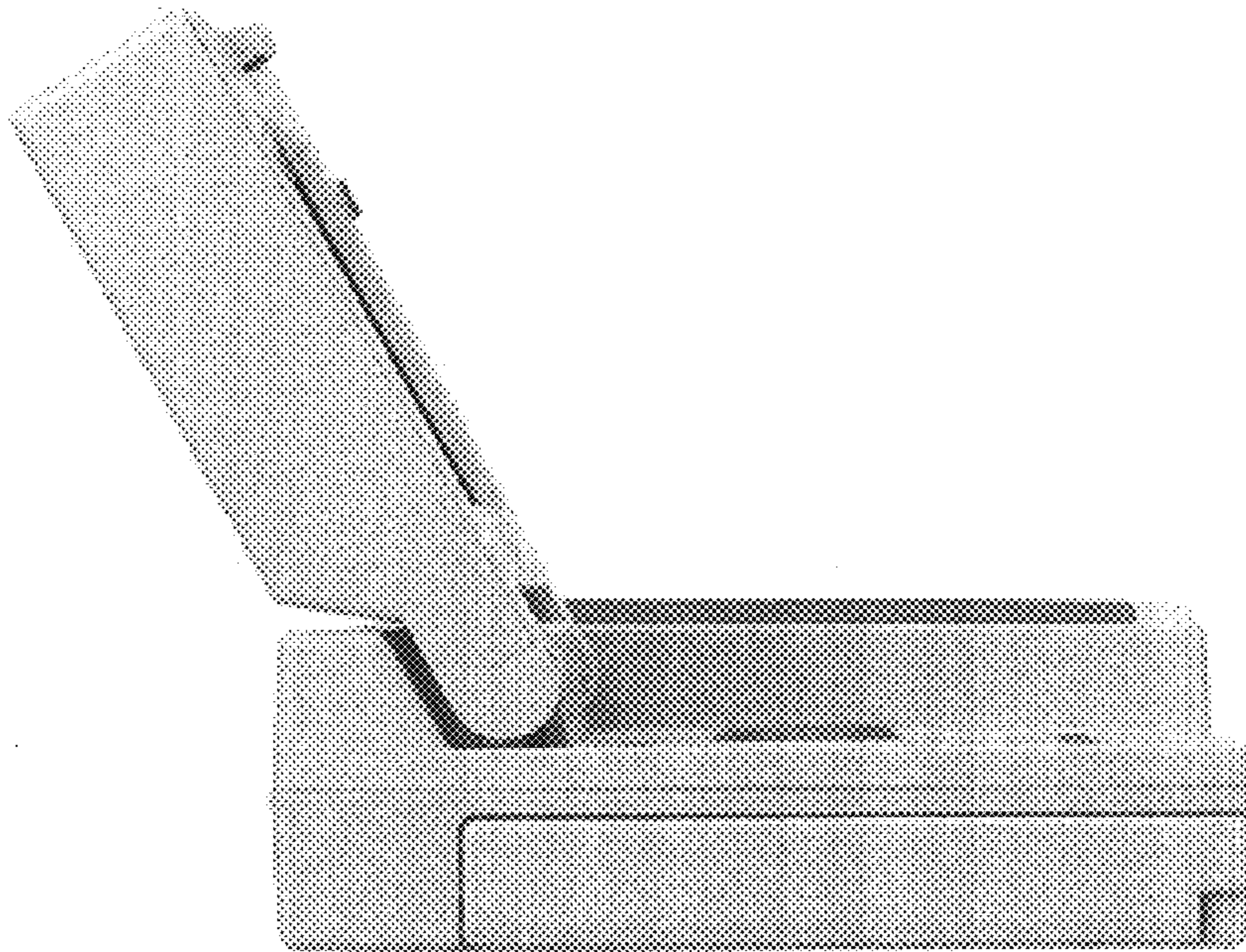


FIG. 6

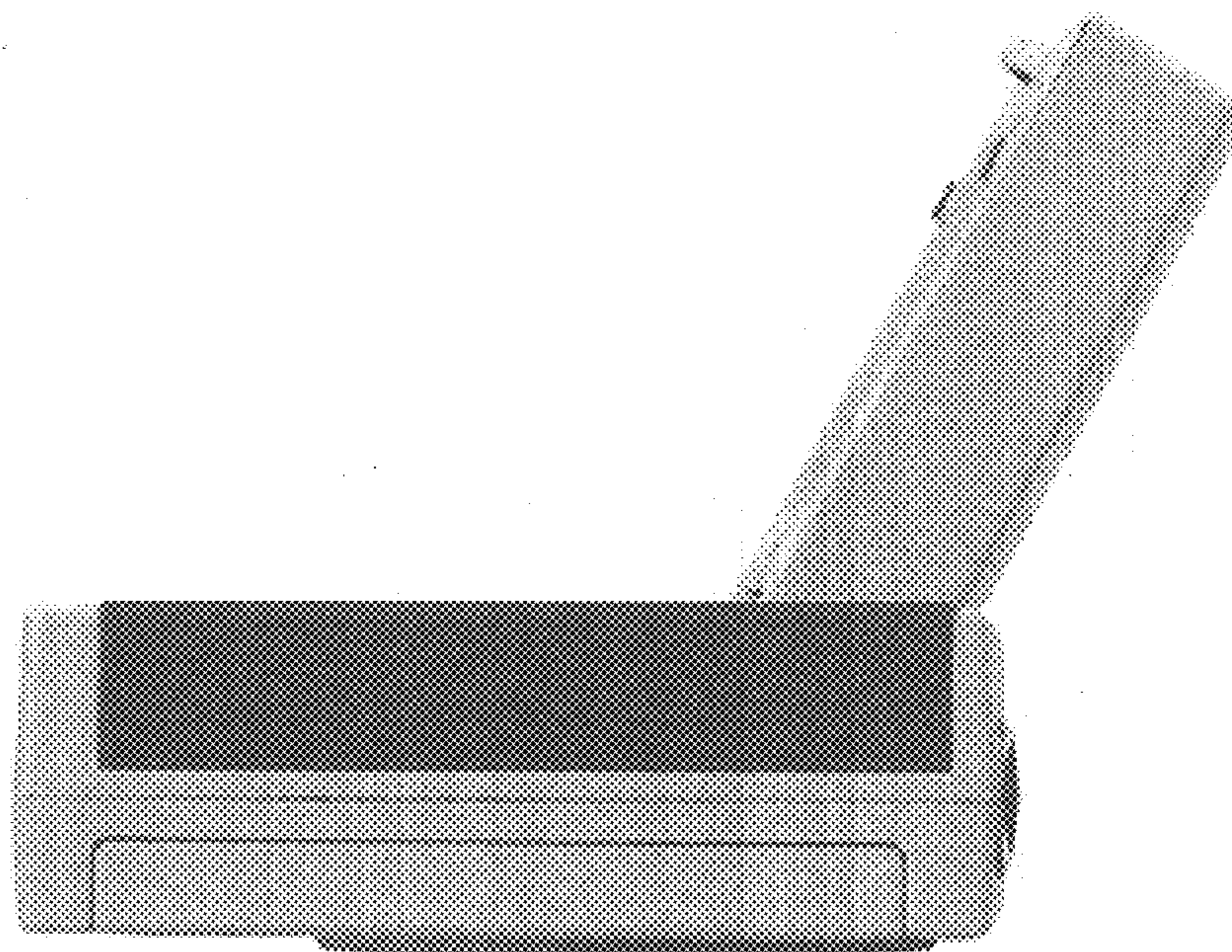


FIG. 7

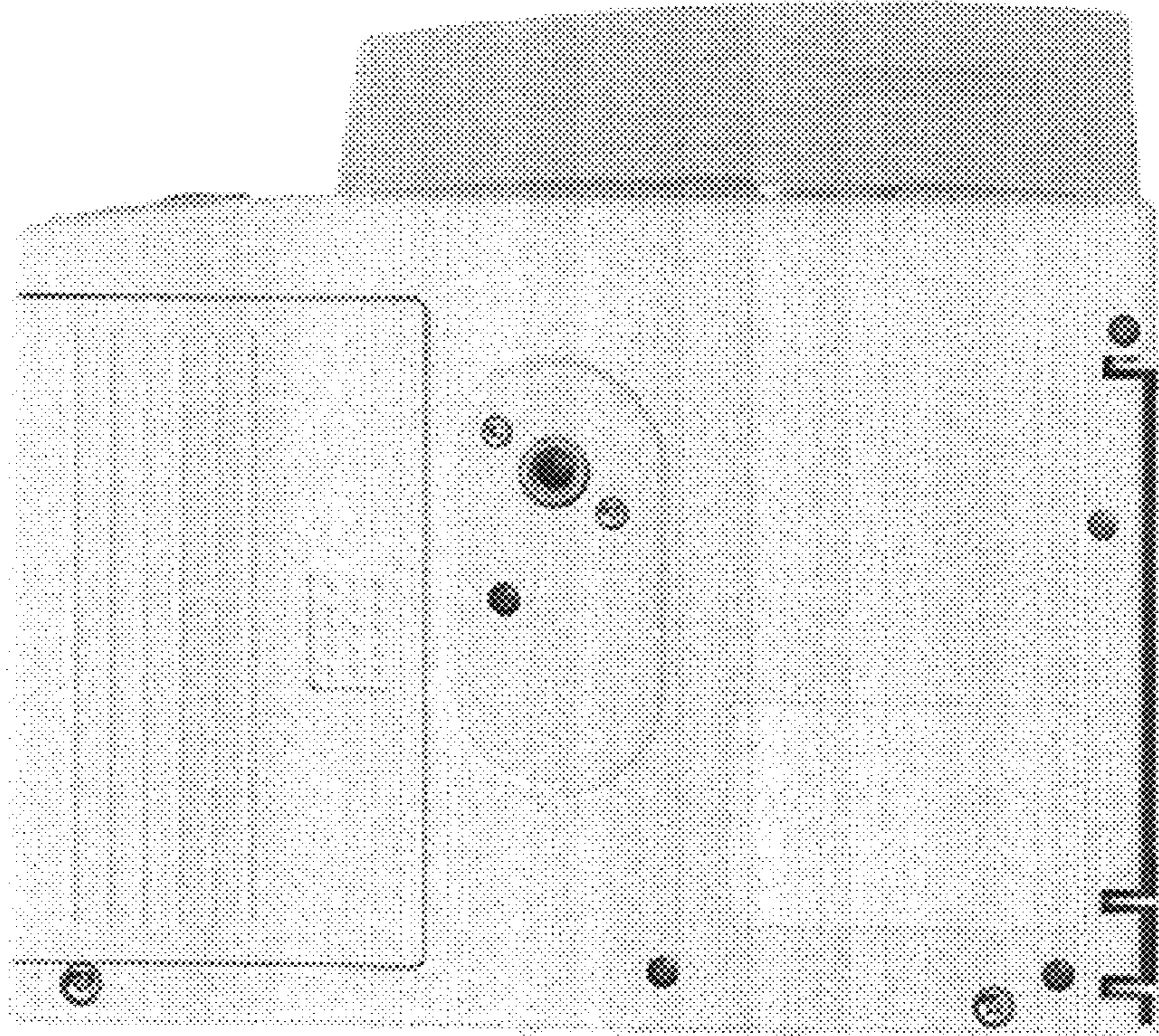


FIG. 8

