



US00D496676S1

(12) **United States Design Patent**  
**Yoshikawa**

(10) **Patent No.:** **US D496,676 S**  
(45) **Date of Patent:** **\*\* Sep. 28, 2004**

(54) **VIDEO CAMERA**

**FOREIGN PATENT DOCUMENTS**

(75) **Inventor:** **Koichi Yoshikawa, Tokyo (JP)**

JP 1101533 \* 2/2001  
KR 30-025724 \* 5/2000

(73) **Assignee:** **Sony Corporation, Tokyo (JP)**

\* cited by examiner

(\*\*) **Term:** **14 Years**

*Primary Examiner*—Adir Aronovich  
(74) *Attorney, Agent, or Firm*—Rader, Fishman & Grauer PLLC

(21) **Appl. No.:** **29/188,125**

(22) **Filed:** **Aug. 14, 2003**

(57) **CLAIM**

(51) **LOC (7) Cl.** ..... **16-01**

The ornamental design for a video camera, as shown and described.

(52) **U.S. Cl.** ..... **D16/203; D16/202**

(58) **Field of Search** ..... **D16/200–205,**  
**D16/208, 218, 227, 242; 348/373–376;**  
**358/906, 909.1; 396/419, 427, 535–541**

**DESCRIPTION**

(56) **References Cited**

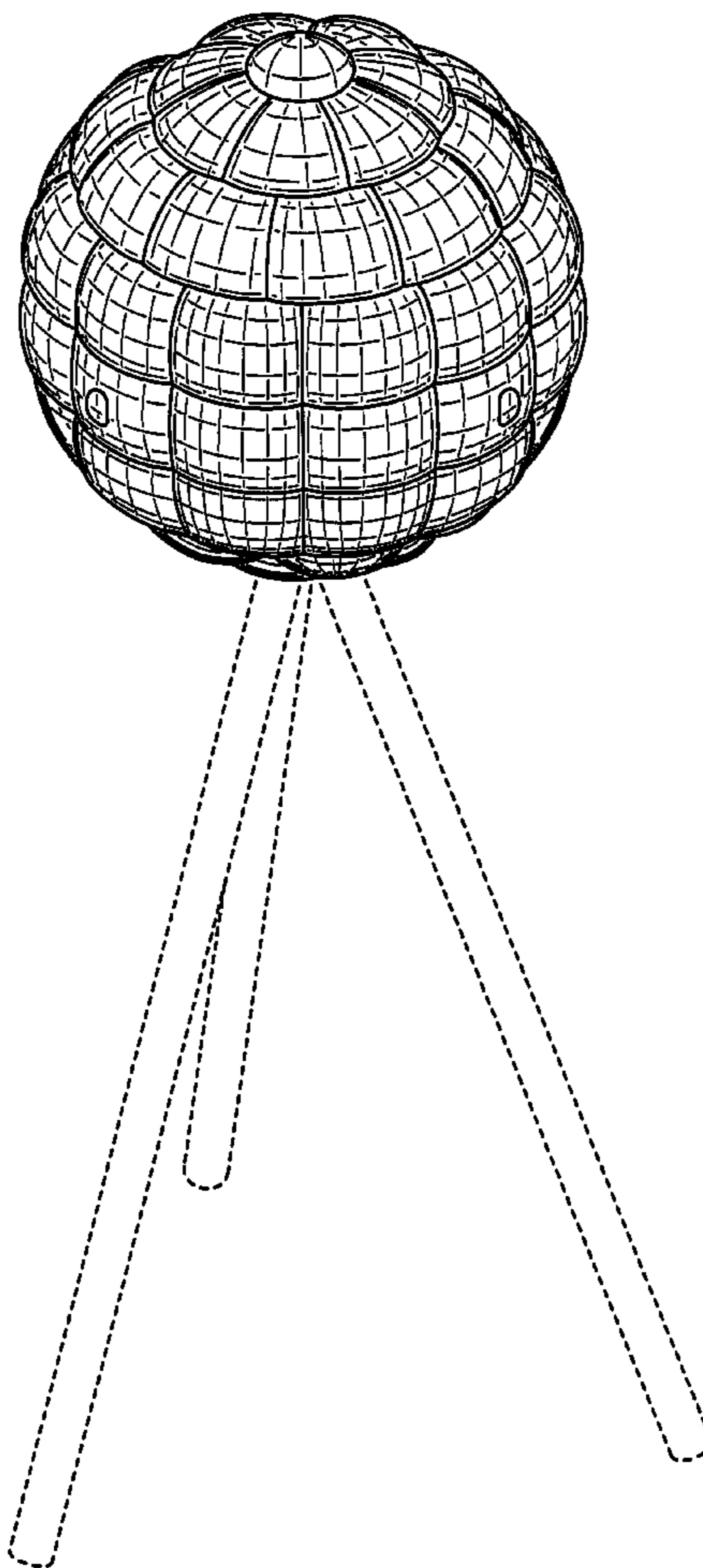
**U.S. PATENT DOCUMENTS**

D387,788 S	*	12/1997	Jeong et al.	.....	D16/202
D389,500 S	*	1/1998	Krekelberg	.....	D16/202
D392,299 S	*	3/1998	Lin	.....	D16/202
D421,033 S	*	2/2000	Shirley et al.	.....	D16/227
D440,244 S	*	4/2001	Prather et al.	.....	D16/202
2001/0017665 A1	*	8/2001	Ackermann et al.	.....	348/374

FIG. 1 is a perspective view of a video camera showing my new design;  
FIG. 2 is a front elevational view thereof;  
FIG. 3 is a rear elevational view thereof;  
FIG. 4 is a left side elevational view thereof;  
FIG. 5 is a right side elevational view thereof;  
FIG. 6 is a top plan view thereof; and,  
FIG. 7 is a bottom plan view thereof.

Portions in broken lines in FIGS. 1–7 are for illustrative purpose only and form no part of claimed design.

**1 Claim, 4 Drawing Sheets**



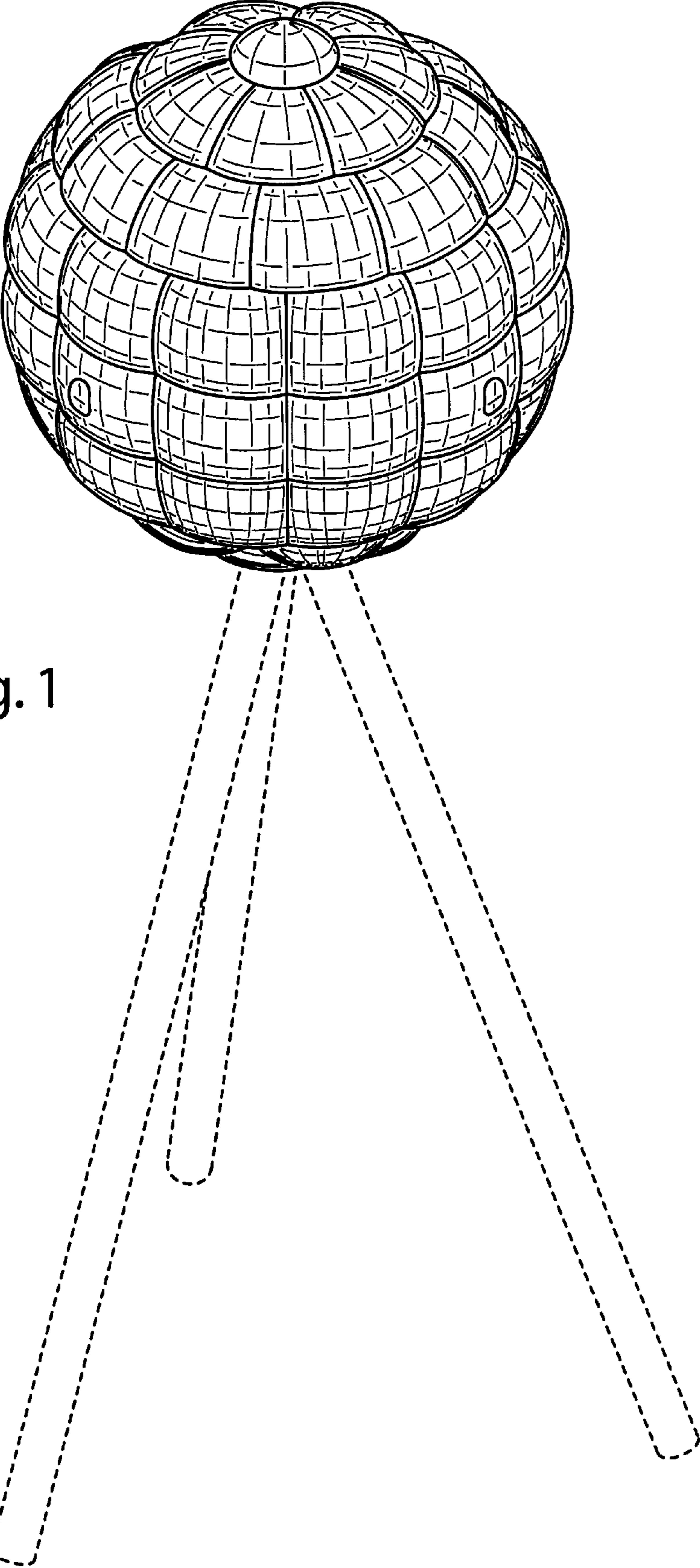


Fig. 1

Fig. 2

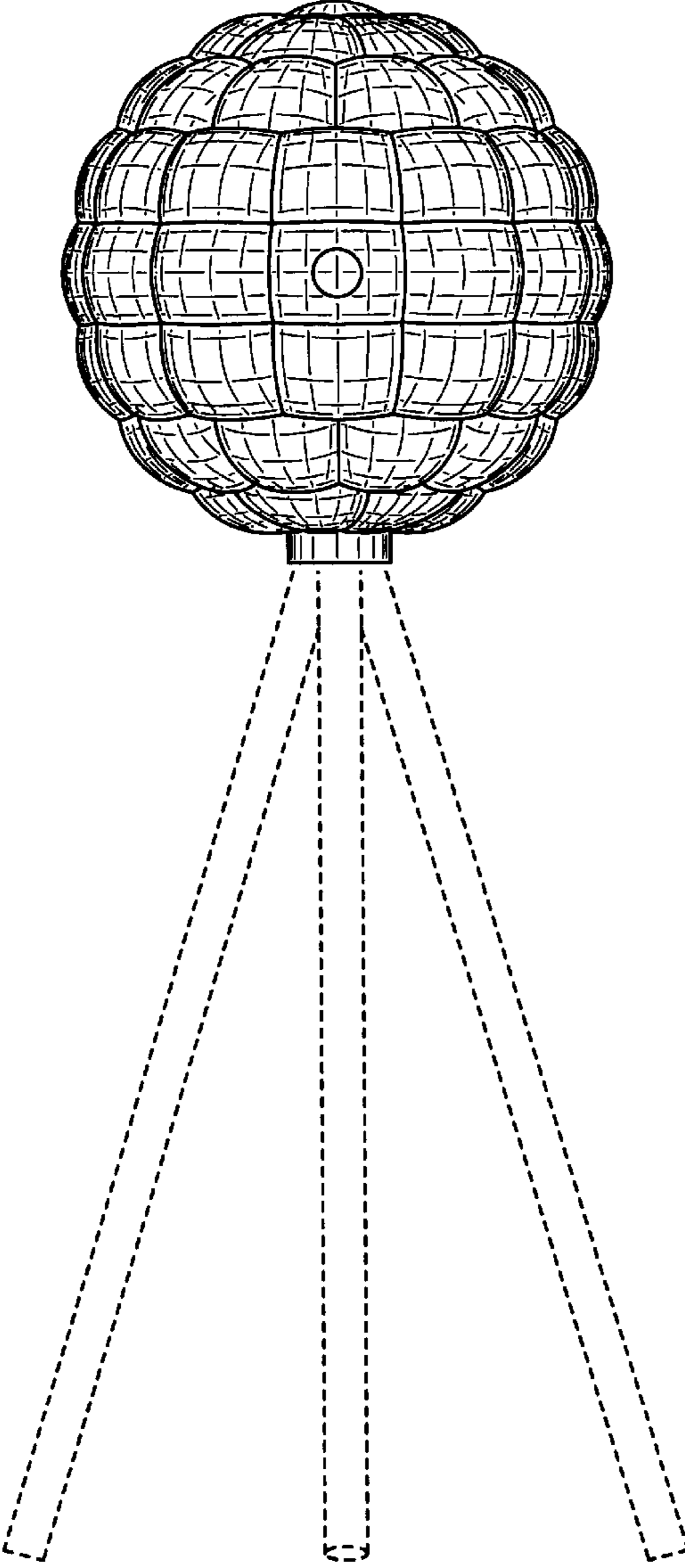


Fig. 3

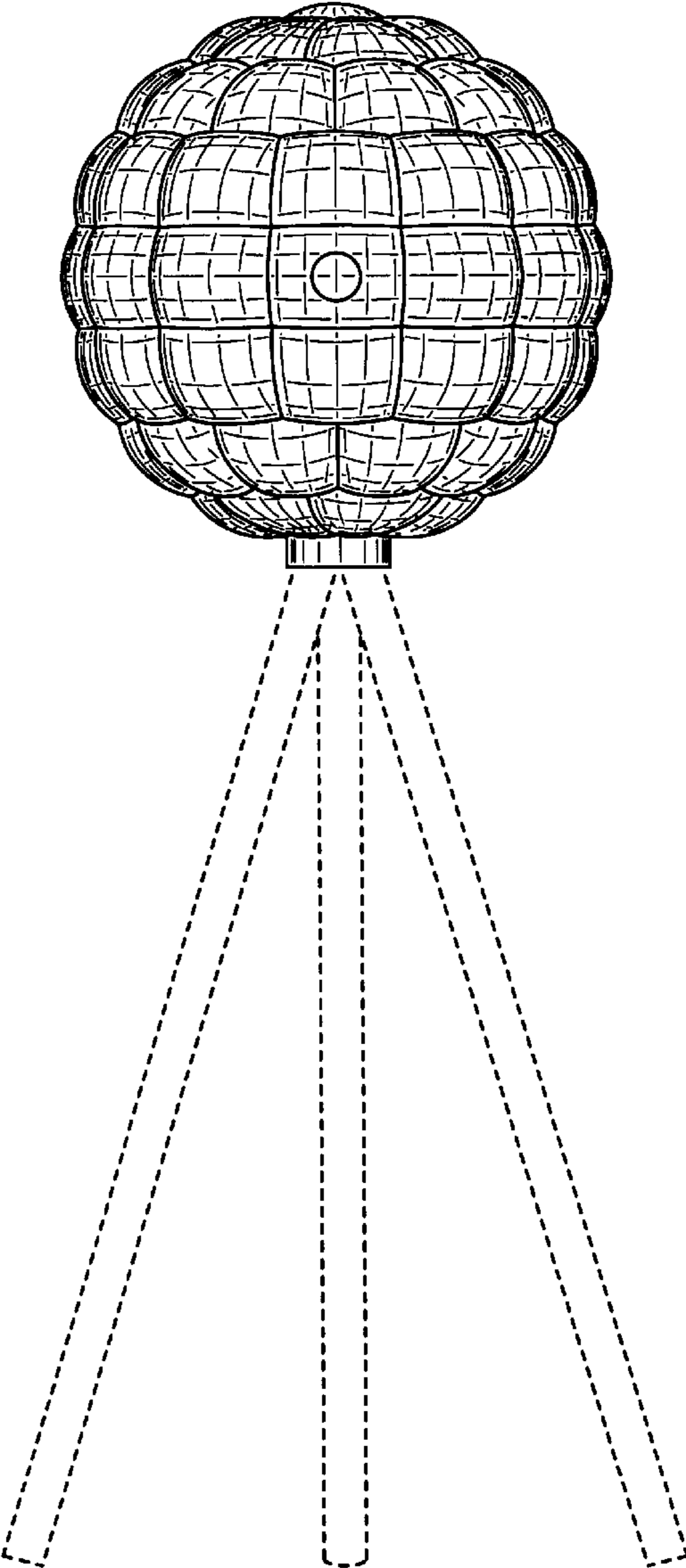


Fig. 4

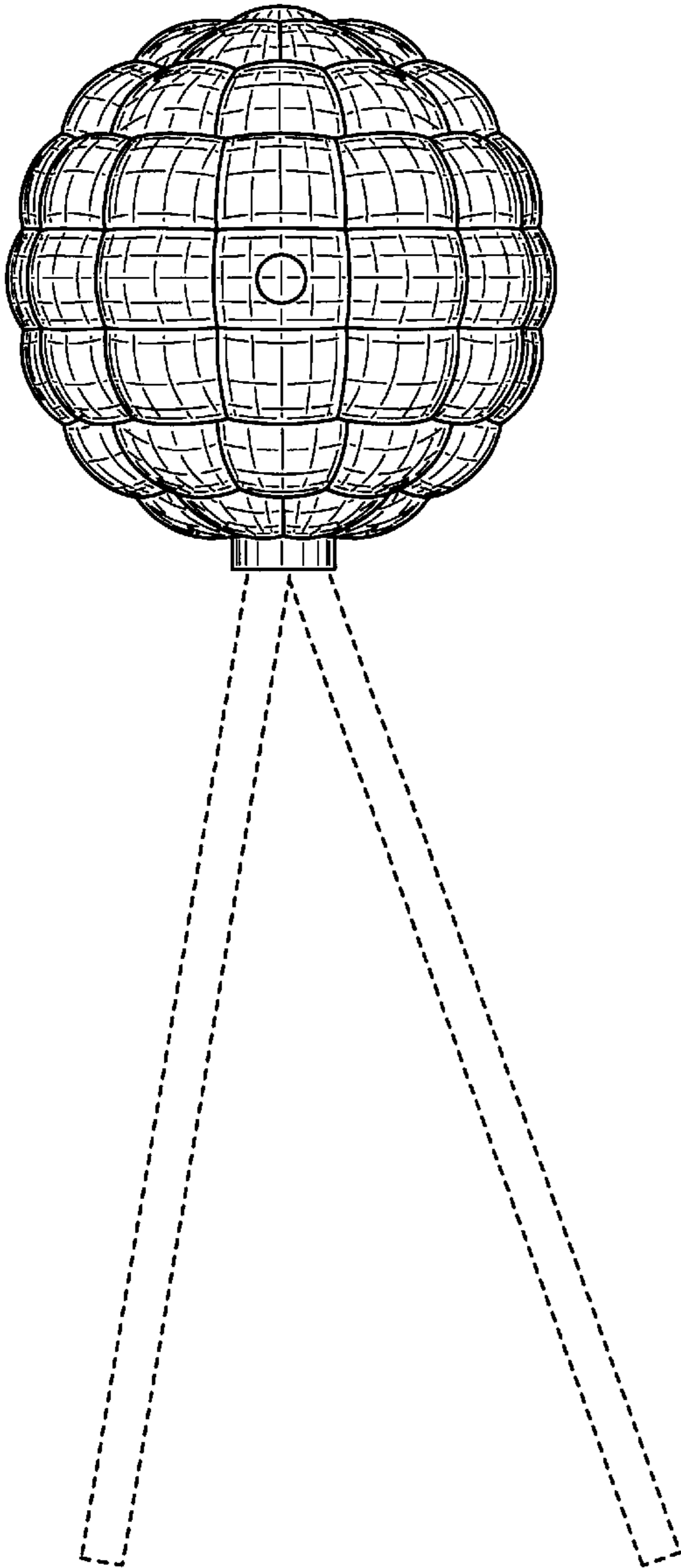


Fig. 5

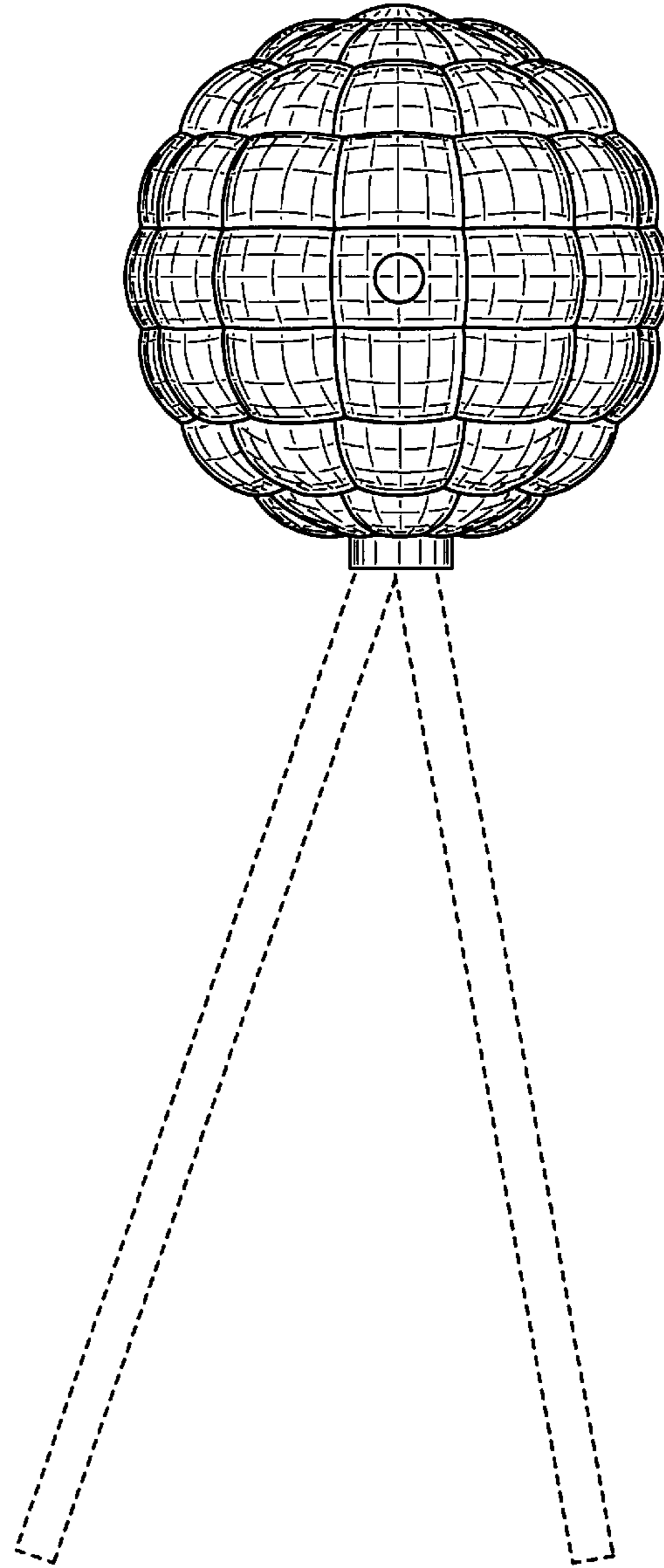


Fig. 6

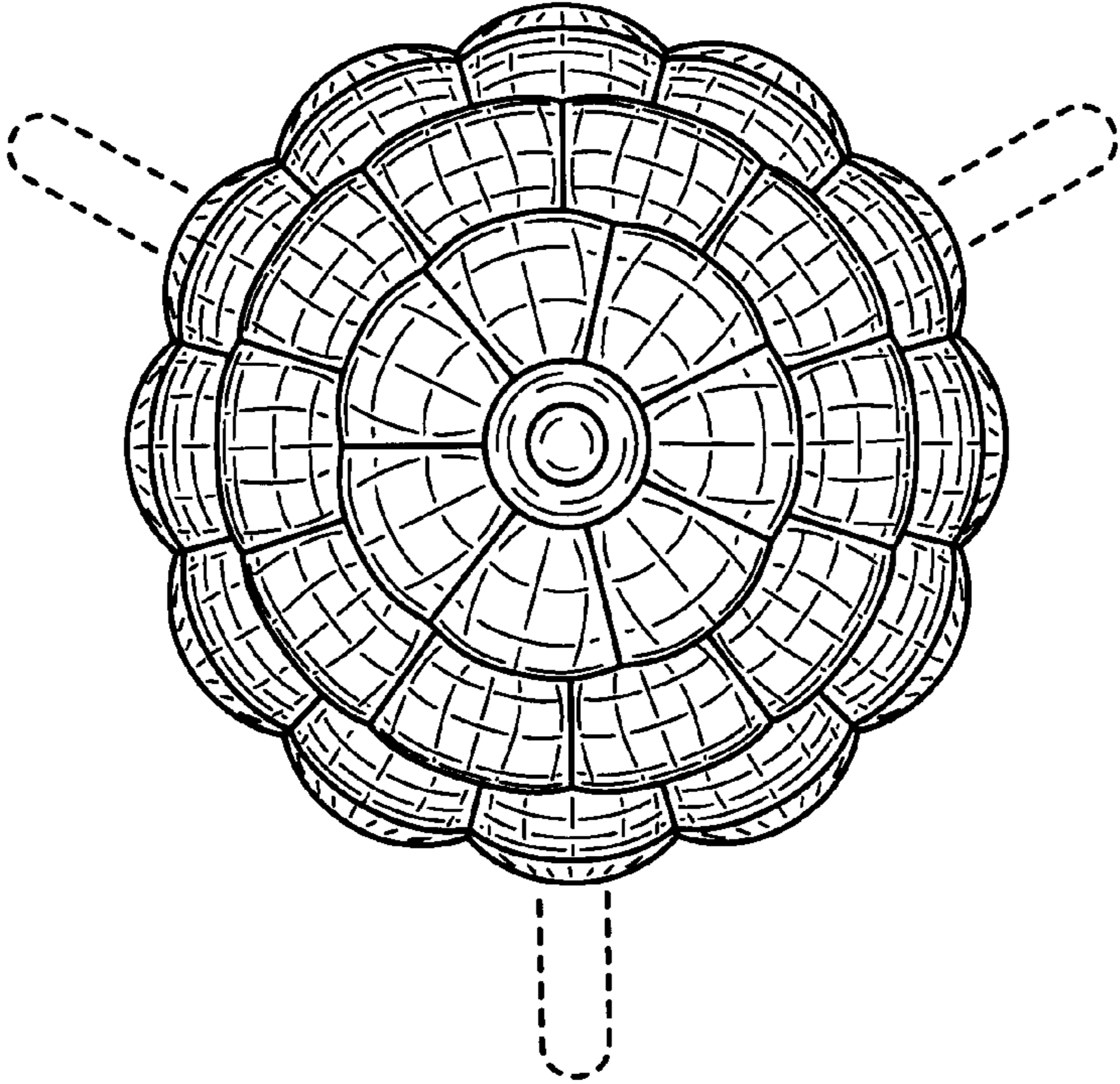


Fig. 7

