



US00D496675S1

(12) **United States Design Patent**  
**Fujii**

(10) **Patent No.:** **US D496,675 S**

(45) **Date of Patent:** **\*\* Sep. 28, 2004**

(54) **DIGITAL CAMERA**

D471,220 S \* 3/2003 Hamamura ..... D16/202  
D475,384 S \* 6/2003 Tanaka ..... D16/202  
D484,167 S \* 12/2003 Naito ..... D16/219

(75) Inventor: **Akio Fujii**, Tokyo (JP)

\* cited by examiner

(73) Assignee: **PENTAX Corporation**, Tokyo (JP)

*Primary Examiner*—Adir Aronovich

(\*\*) Term: **14 Years**

(74) *Attorney, Agent, or Firm*—Sughrue Mion, PLLC

(21) Appl. No.: **29/200,461**

(57) **CLAIM**

(22) Filed: **Mar. 1, 2004**

The ornamental design for a digital camera, as shown.

(30) **Foreign Application Priority Data**

**DESCRIPTION**

Sep. 2, 2003 (JP) ..... 2003-025530

FIG. 1 is a perspective view of the top, front and right side of a digital camera showing my new design; FIG. 2 is a front elevational view thereof; FIG. 3 is a rear elevational view thereof; FIG. 4 is a left side elevational view thereof; FIG. 5 is a right side elevational view thereof; FIG. 6 is a top plan view thereof; and, FIG. 7 is a bottom plan view thereof.

(51) **LOC (7) Cl.** ..... **16-01**

(52) **U.S. Cl.** ..... **D16/202; D16/219**

(58) **Field of Search** ..... D16/200–204,  
D16/208, 218, 219; 348/373–376; 358/909.1;  
396/535–541

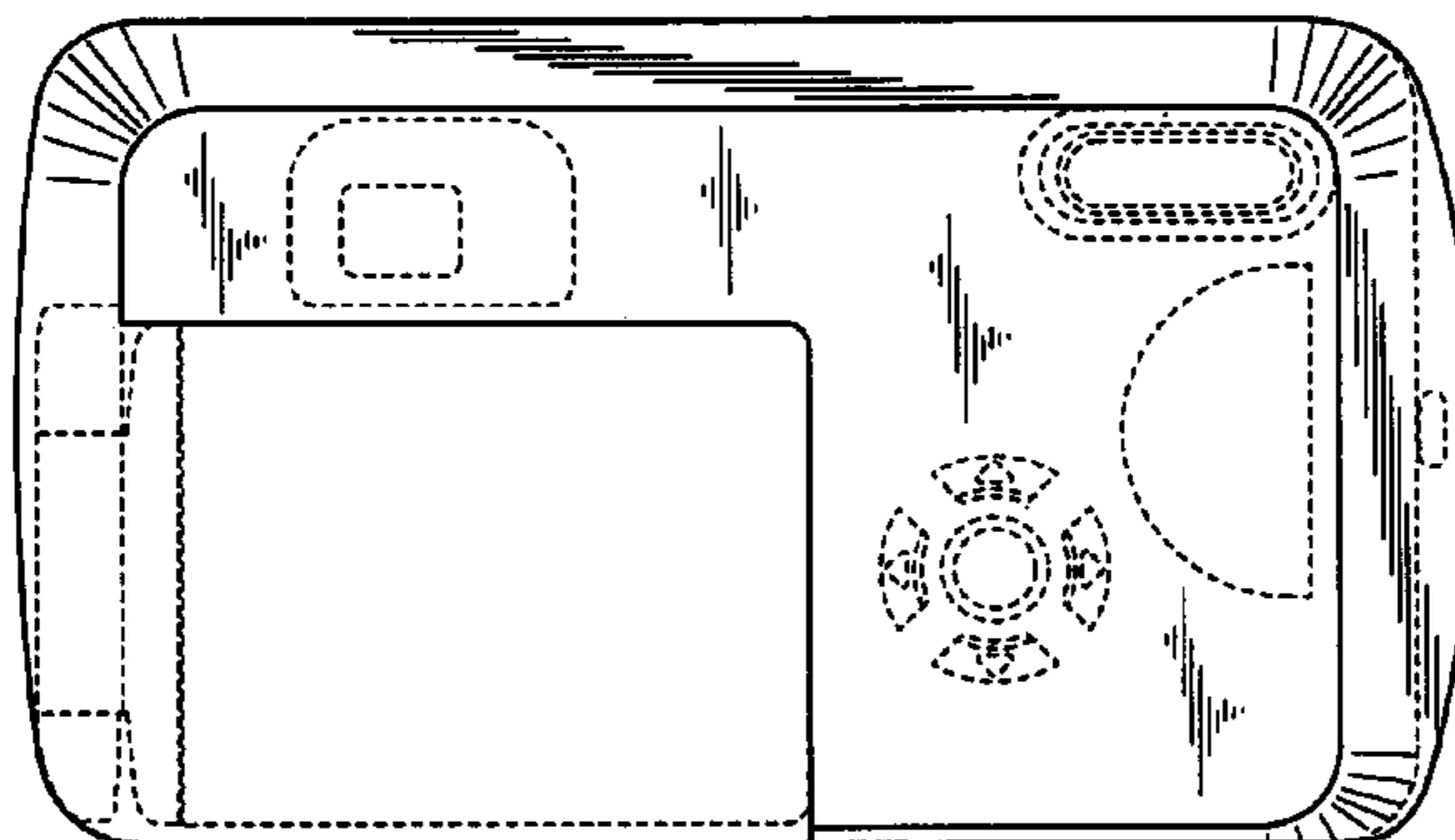
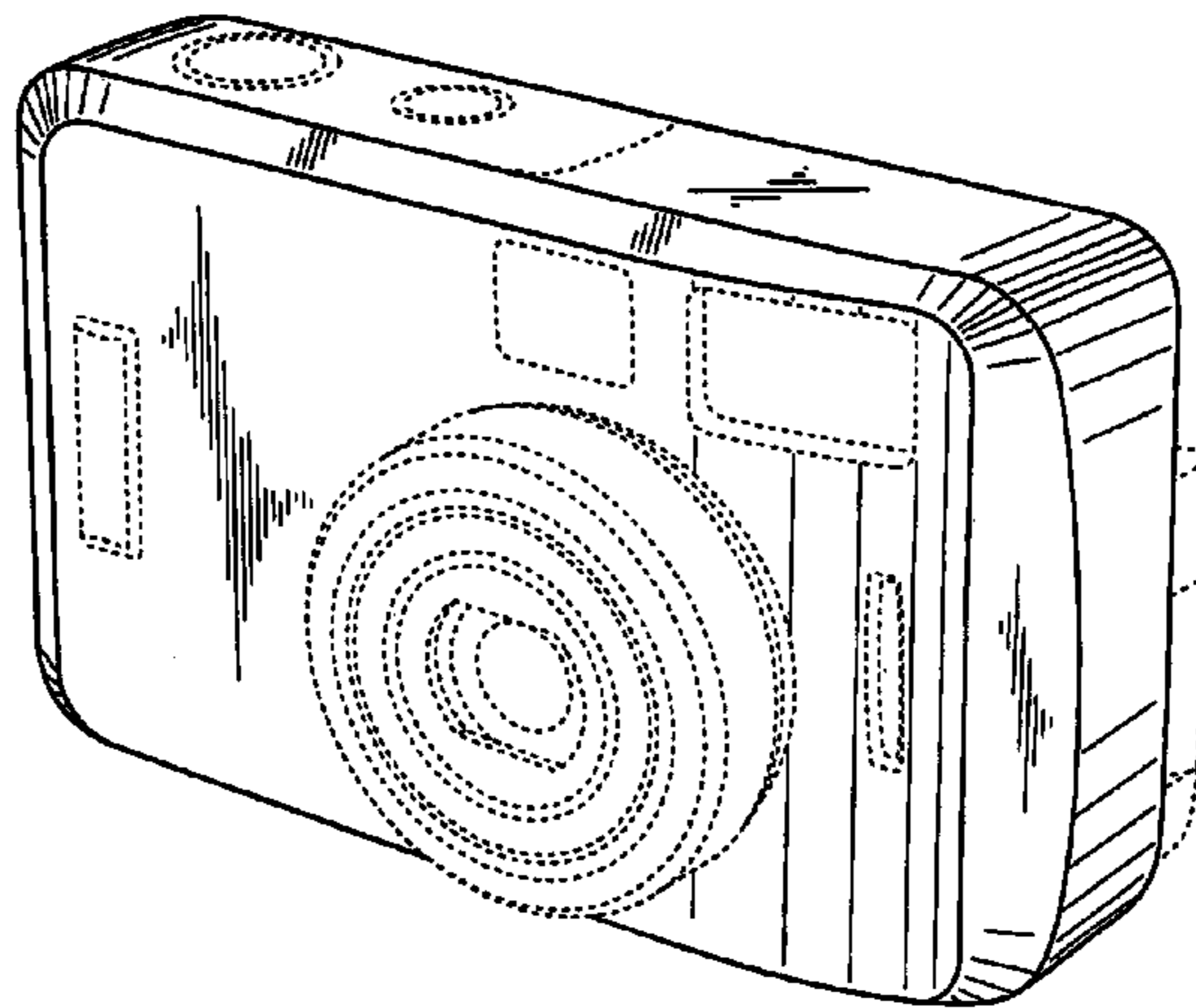
The portions of the camera in broken lines are shown for illustrative purposes only and form no part of the claimed design.

(56) **References Cited**

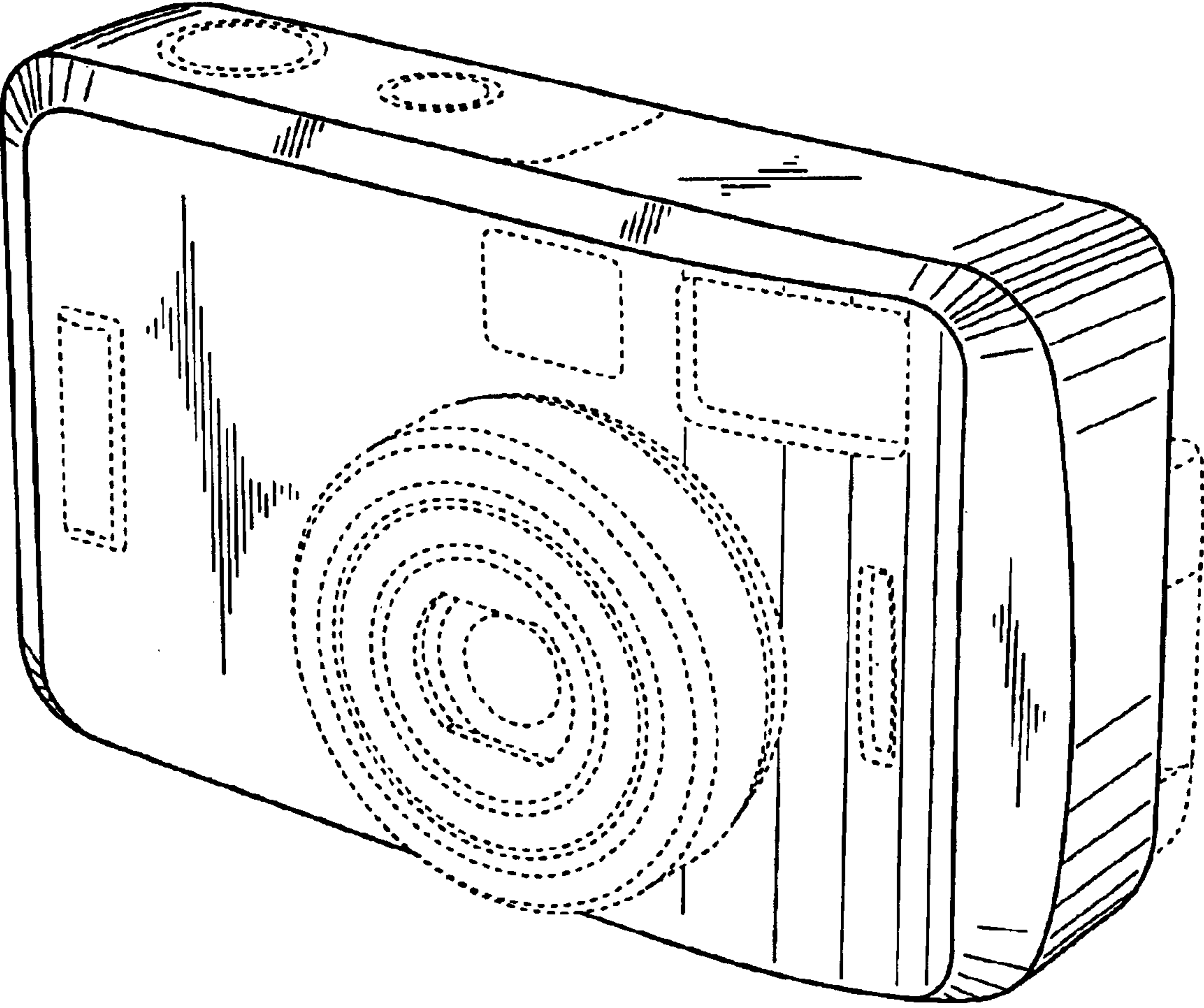
**U.S. PATENT DOCUMENTS**

5,555,052 A \* 9/1996 Pearson ..... 396/538  
D457,903 S \* 5/2002 Nasu ..... D16/202

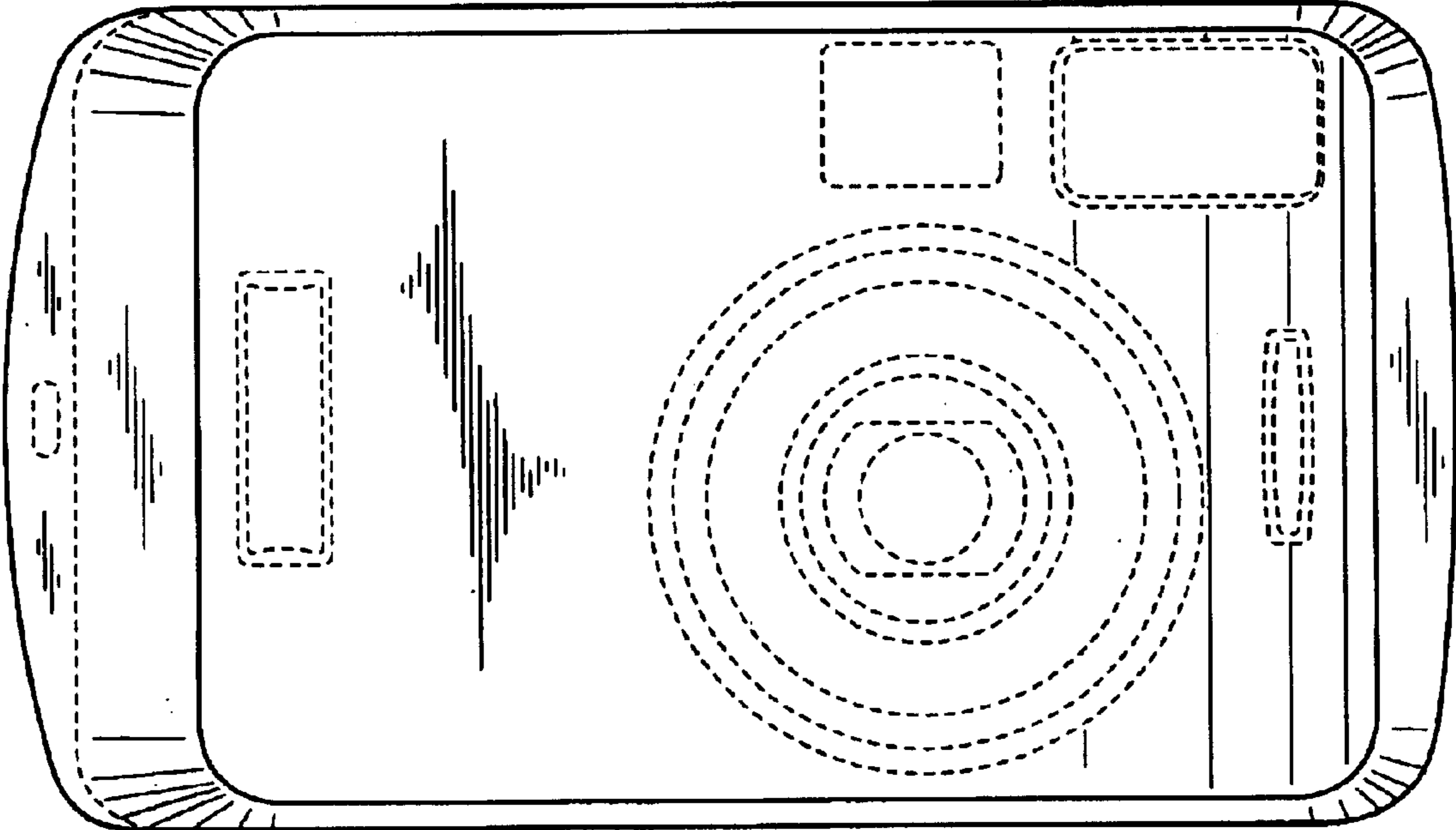
**1 Claim, 5 Drawing Sheets**



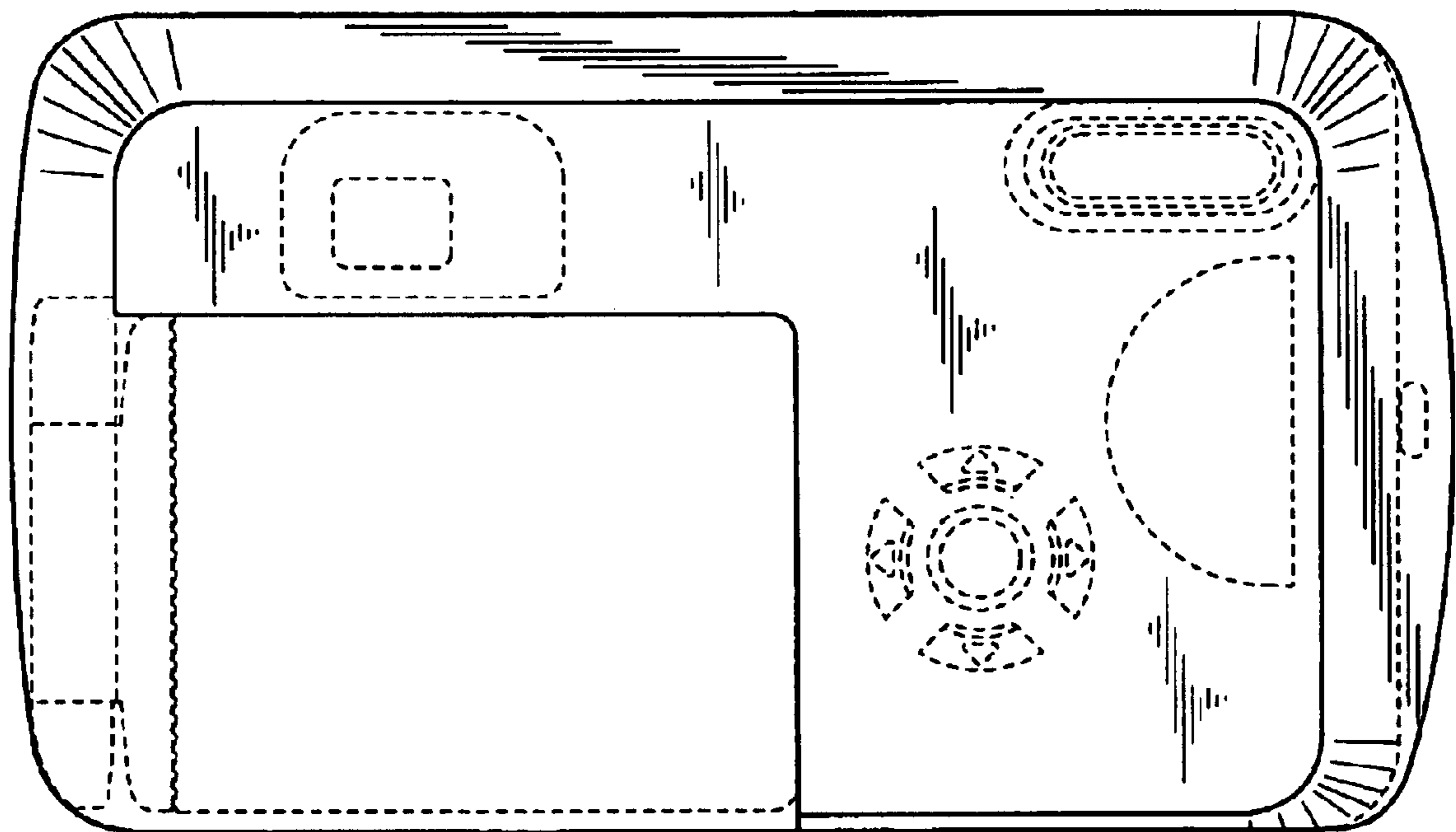
*FIG. 1*



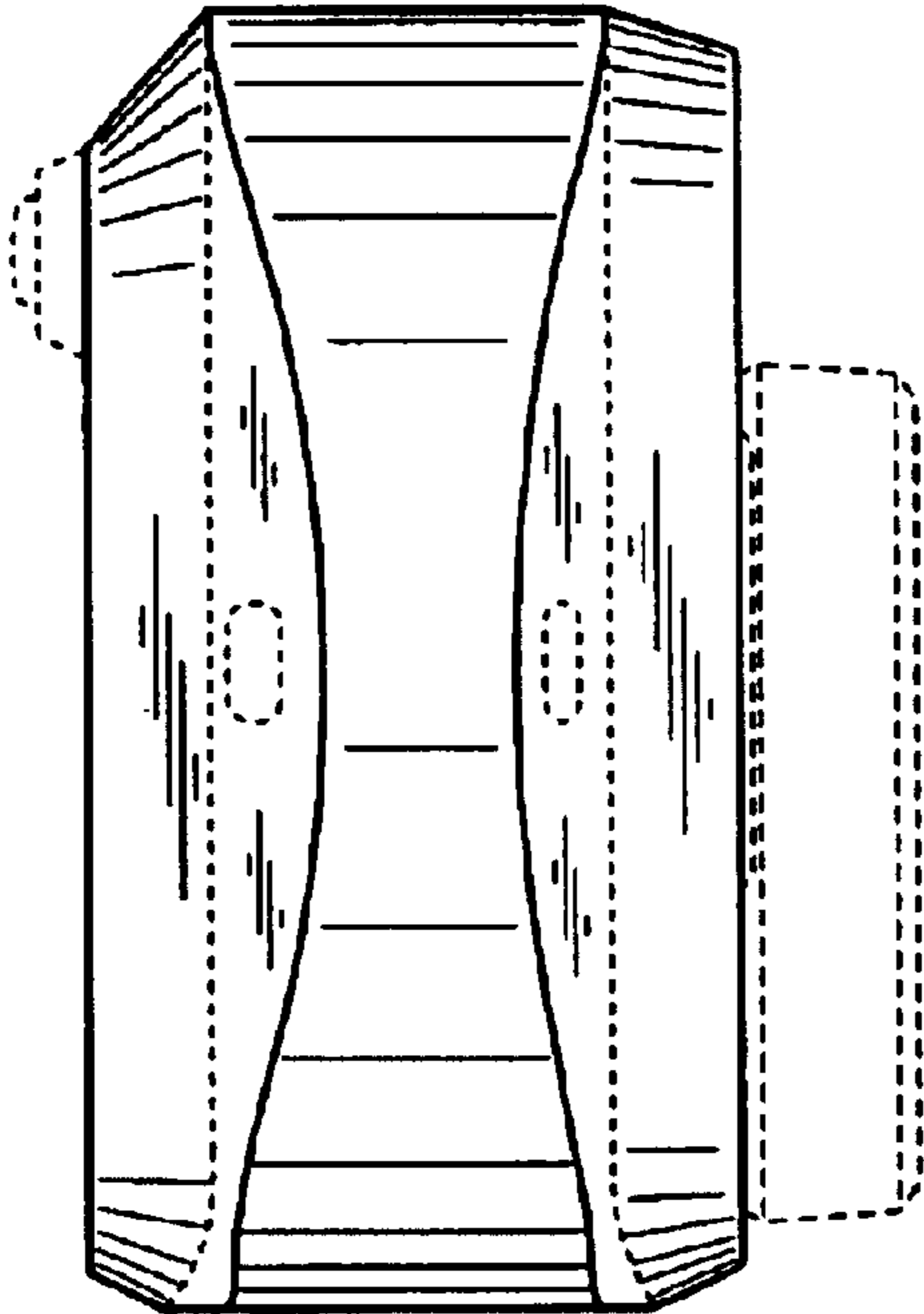
*FIG. 2*



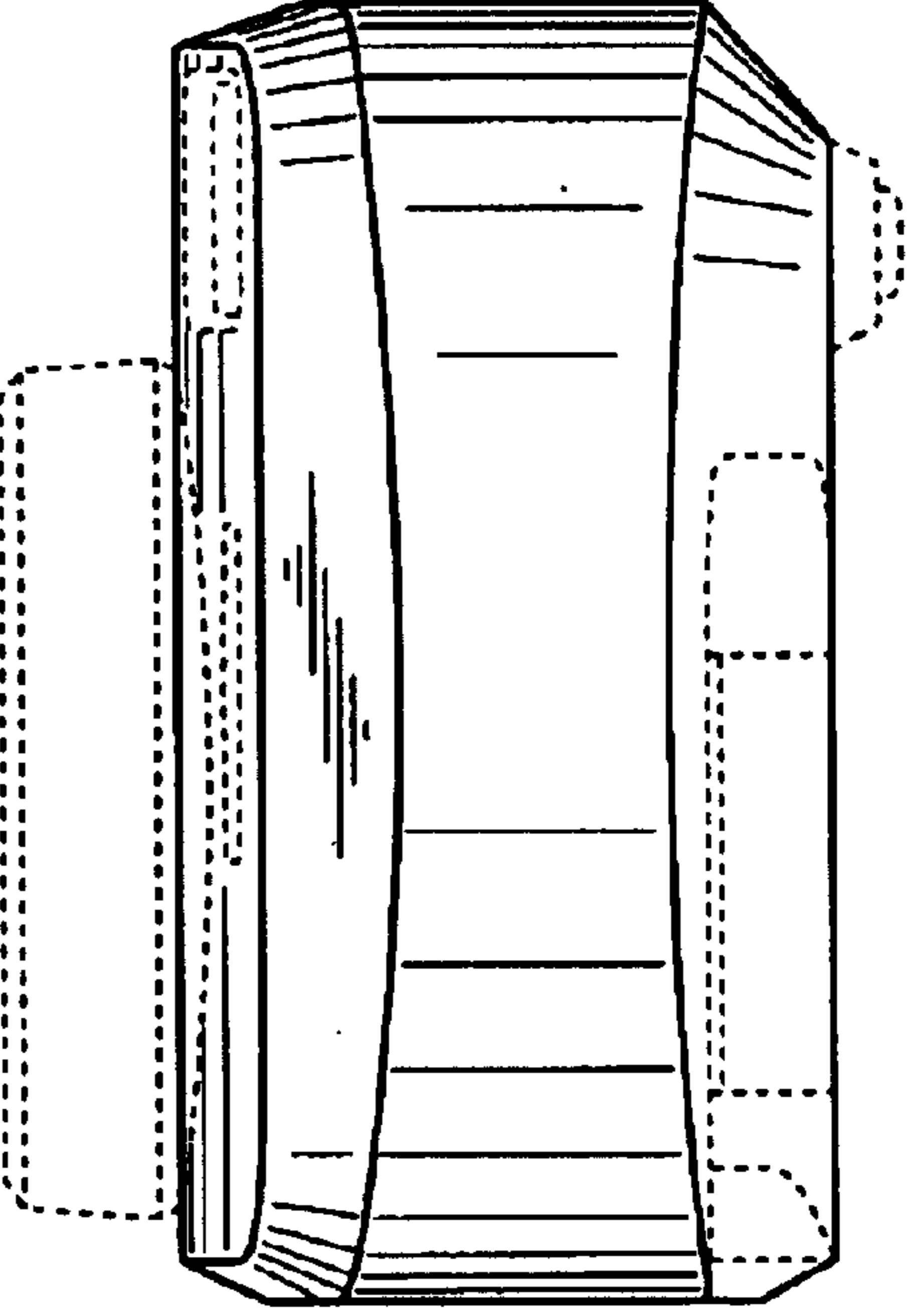
*FIG. 3*



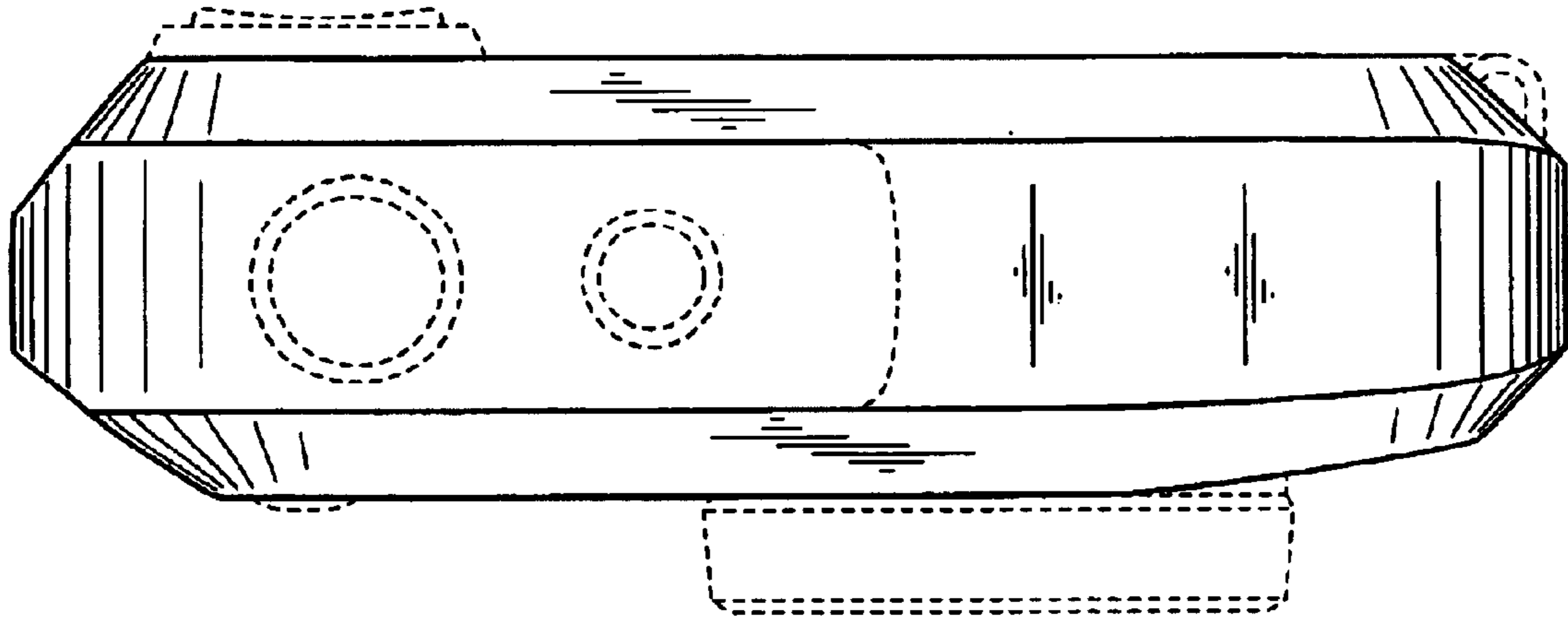
*FIG. 4*



*FIG. 5*



**FIG. 6**



**FIG. 7**

