

US00D496673S1

(12) **United States Design Patent** (10) **Patent No.:** **US D496,673 S**
Hines et al. (45) **Date of Patent:** **** Sep. 28, 2004**

(54) **COMBINATION BINOCULARS AND CAMERA**
 (75) Inventors: **David M. Hines**, Santa Ana, CA (US);
Andres Dandler, Aliso Viejo, CA (US)
 (73) Assignee: **Meade Instruments Corp.**, Irvine, CA (US)
 (**) Term: **14 Years**

5,579,165 A 11/1996 Michel et al.
 5,861,994 A 1/1999 Kelly
 5,986,803 A 11/1999 Kelly
 5,999,299 A 12/1999 Chan et al.
 6,067,190 A 5/2000 Kelly
 6,088,053 A 7/2000 Hammack et al.
 D476,349 S * 6/2003 Fujii D16/208
 D484,899 S * 1/2004 Yanagisawa D16/133
 D488,178 S * 4/2004 Huang D16/218
 2002/0109785 A1 8/2002 Hammack et al.

(21) Appl. No.: **29/185,714**
 (22) Filed: **Jul. 1, 2003**
 (51) **LOC (7) Cl.** **16-06**
 (52) **U.S. Cl.** **D16/133**
 (58) **Field of Search** D16/130, 132,
 D16/133, 202, 208, 218, 200–201, 203–206;
 359/363, 407–418, 432, 462, 480, 481,
 630; 396/432, 544; D14/168–170; 348/333.01,
 333.08, 335, 206; 358/906

OTHER PUBLICATIONS

Brochure by Meade Instruments Corporation for Travel-View Binoculars “CaptureView”, undated.
 Meade Instruments Corporation website print-out for Meade Sports Optics—Capture View, 2003.
 Target weekly ad containing Bushnell Binoculars with built-in digital camera, undated.

* cited by examiner

Primary Examiner—Paula A. Greene
 (74) *Attorney, Agent, or Firm*—Knobbe, Martens, Olson & Bear, LLP.

(56) **References Cited**
U.S. PATENT DOCUMENTS

2,882,791 A 4/1959 Moller et al.
 2,955,156 A 10/1960 Heilig
 3,833,758 A 9/1974 Ferrari
 3,981,021 A 9/1976 Beecher
 4,067,027 A 1/1978 Yamazaki
 D259,569 S * 6/1981 Nishioka D16/133
 D262,632 S * 1/1982 Yamazaki D16/208
 4,443,819 A 4/1984 Funada et al.
 4,450,487 A 5/1984 Koide
 4,496,981 A 1/1985 Ota
 4,539,701 A 9/1985 Galbreath et al.
 4,571,628 A 2/1986 Thornton
 4,676,619 A 6/1987 Woolley
 4,915,487 A 4/1990 Riddell, III et al.
 5,040,068 A 8/1991 Parulski et al.
 5,307,202 A 4/1994 Martino et al.
 D353,388 S * 12/1994 Matsushita D16/133
 5,416,633 A 5/1995 Michel et al.
 D365,831 S * 1/1996 Miyahara et al. D16/133
 D365,832 S * 1/1996 Miyahara et al. D16/133

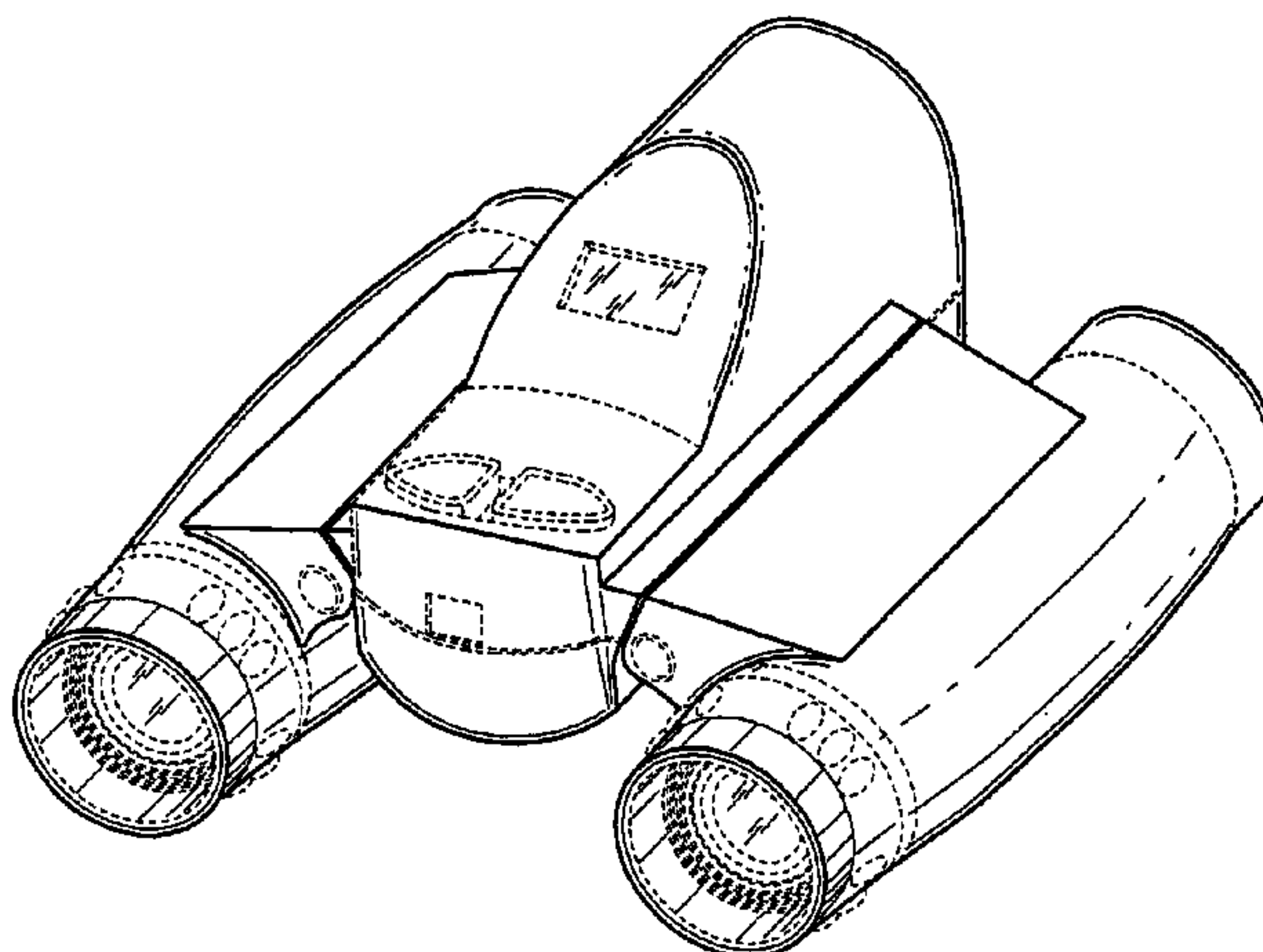
(57) **CLAIM**

The ornamental design for a combination binoculars and camera, as shown and described.

DESCRIPTION

FIG. 1 is a rear perspective view of a combination binoculars and camera showing our new design in accordance with an embodiment of the invention;
 FIG. 2 is a right side elevational view thereof, the left side elevational view being a mirror image thereof;
 FIG. 3 is a top plan view thereof;
 FIG. 4 is a rear elevational view thereof;
 FIG. 5 is a front elevational view thereof; and,
 FIG. 6 is a bottom plan view thereof.
 Where utilized, phantom lining is for illustrative purposes only and is not intended to limit or form any part of the claimed design.

1 Claim, 6 Drawing Sheets



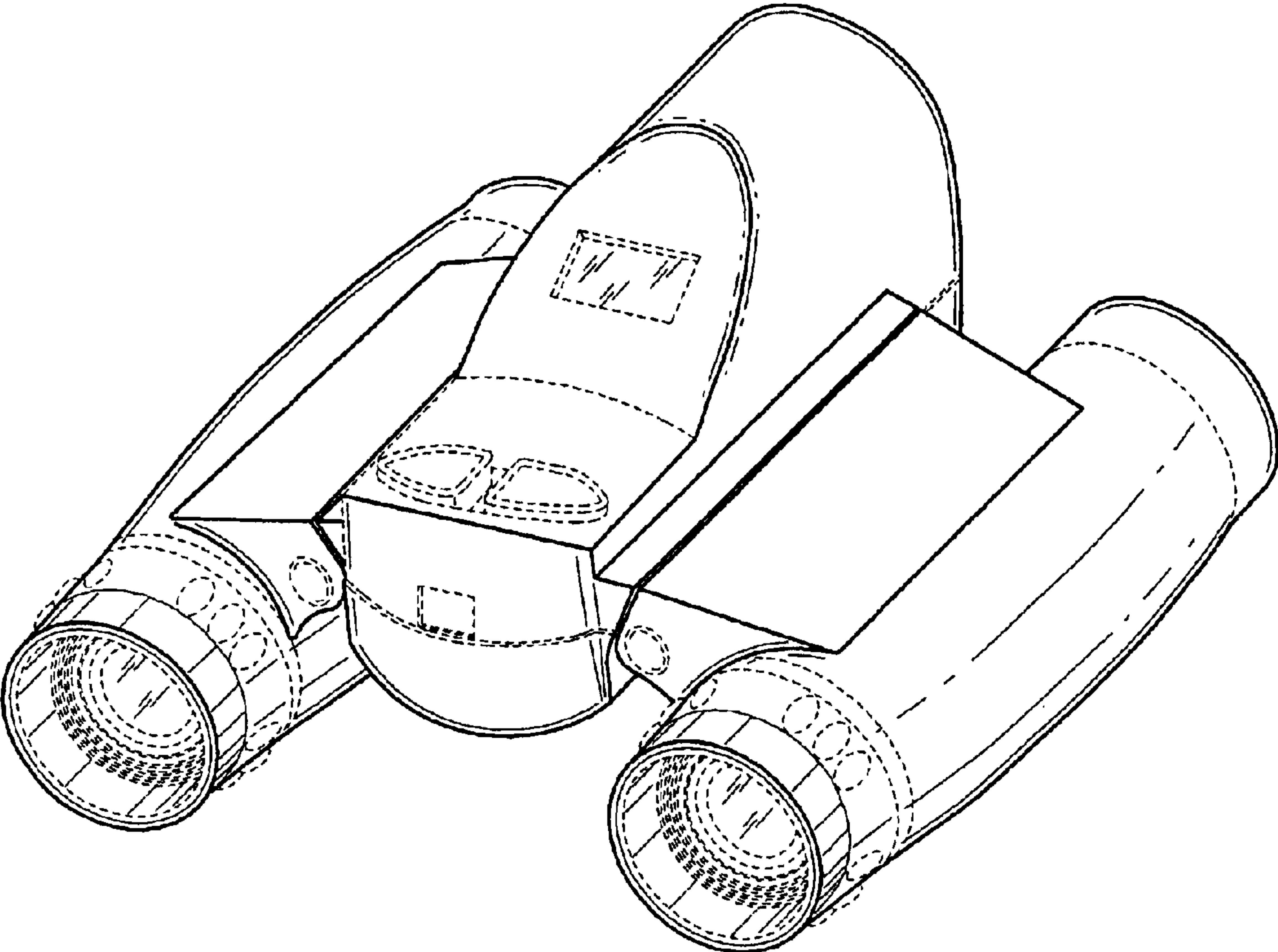


FIG. 1

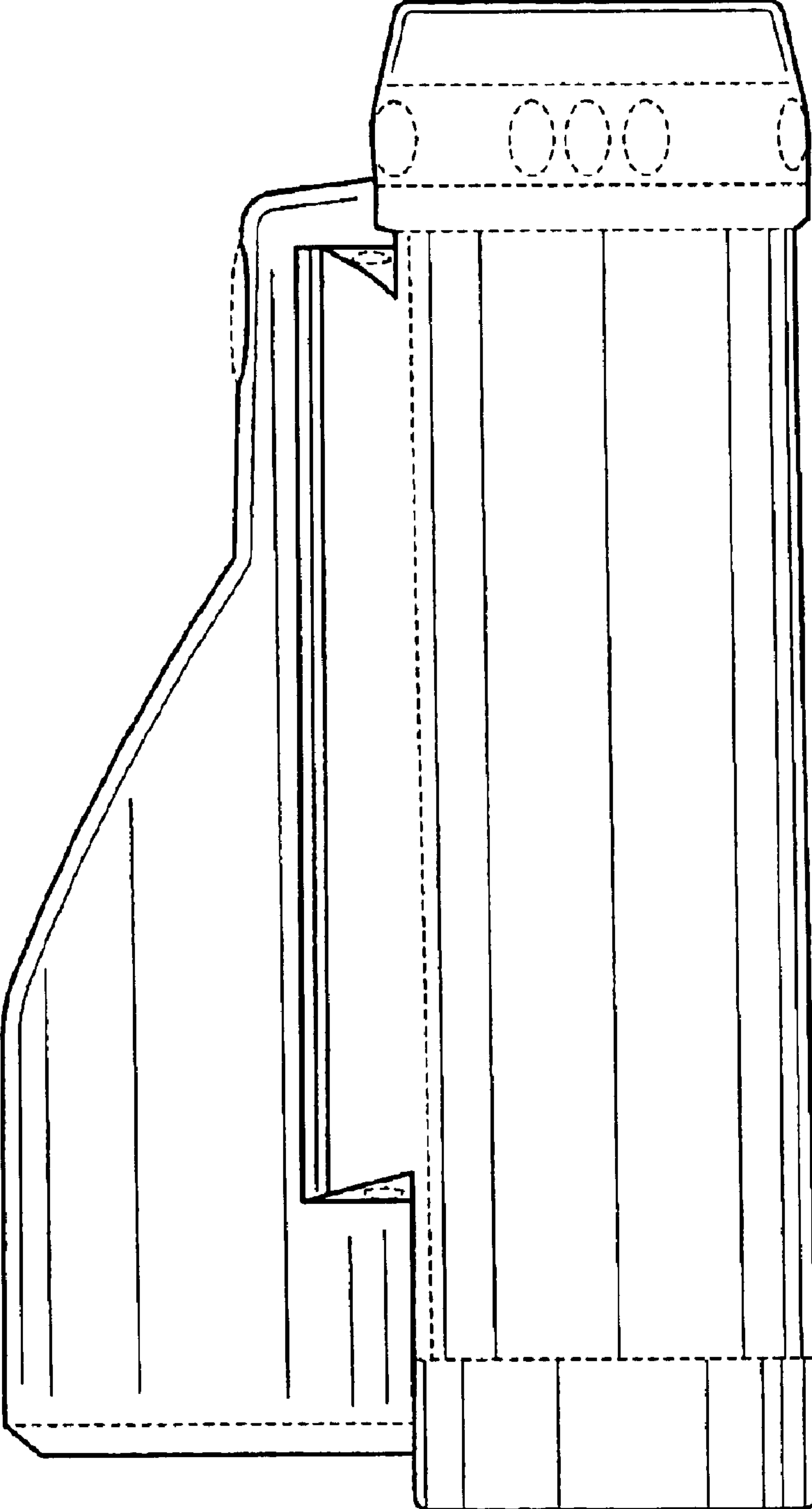


FIG. 2

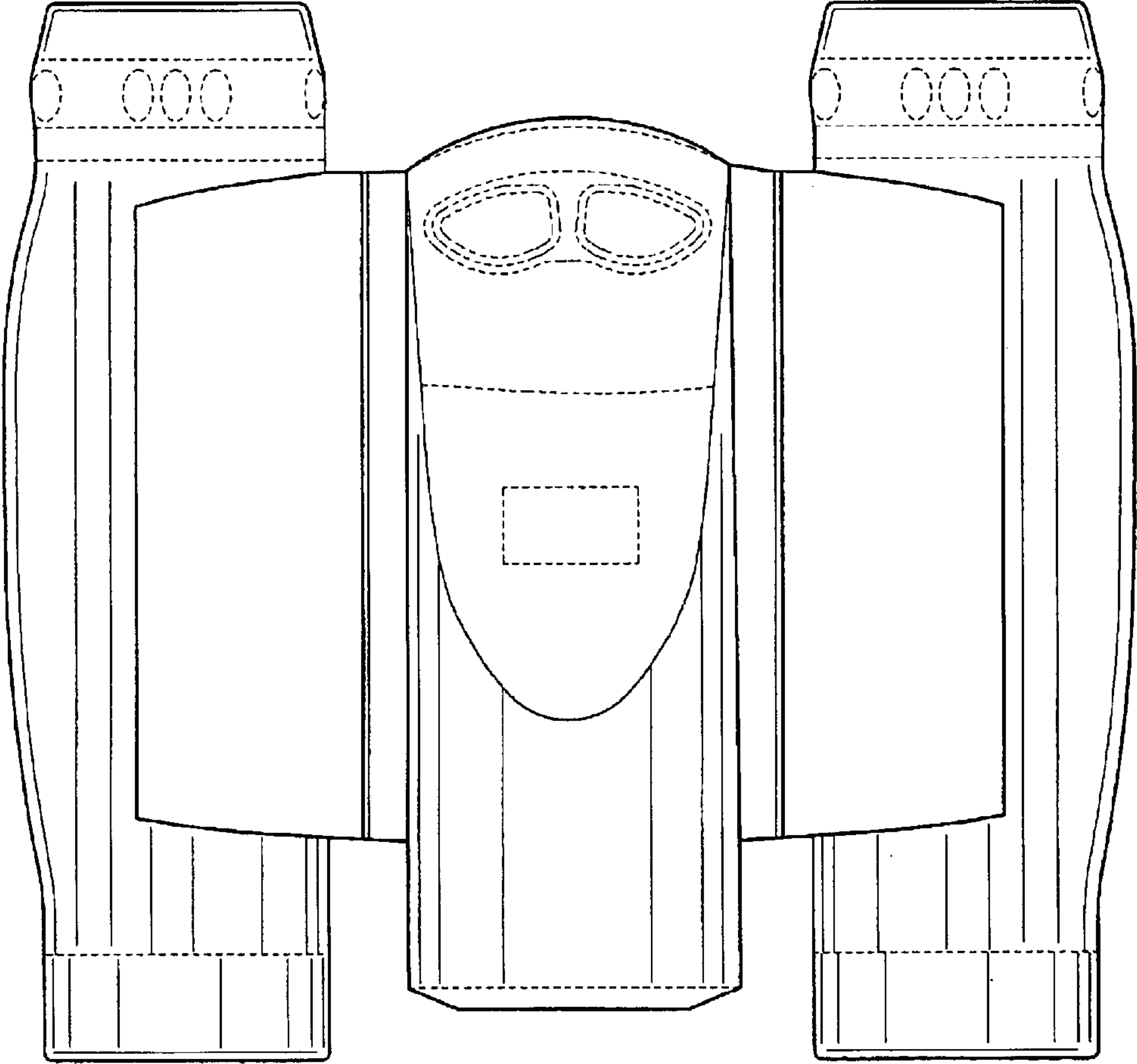


FIG. 3

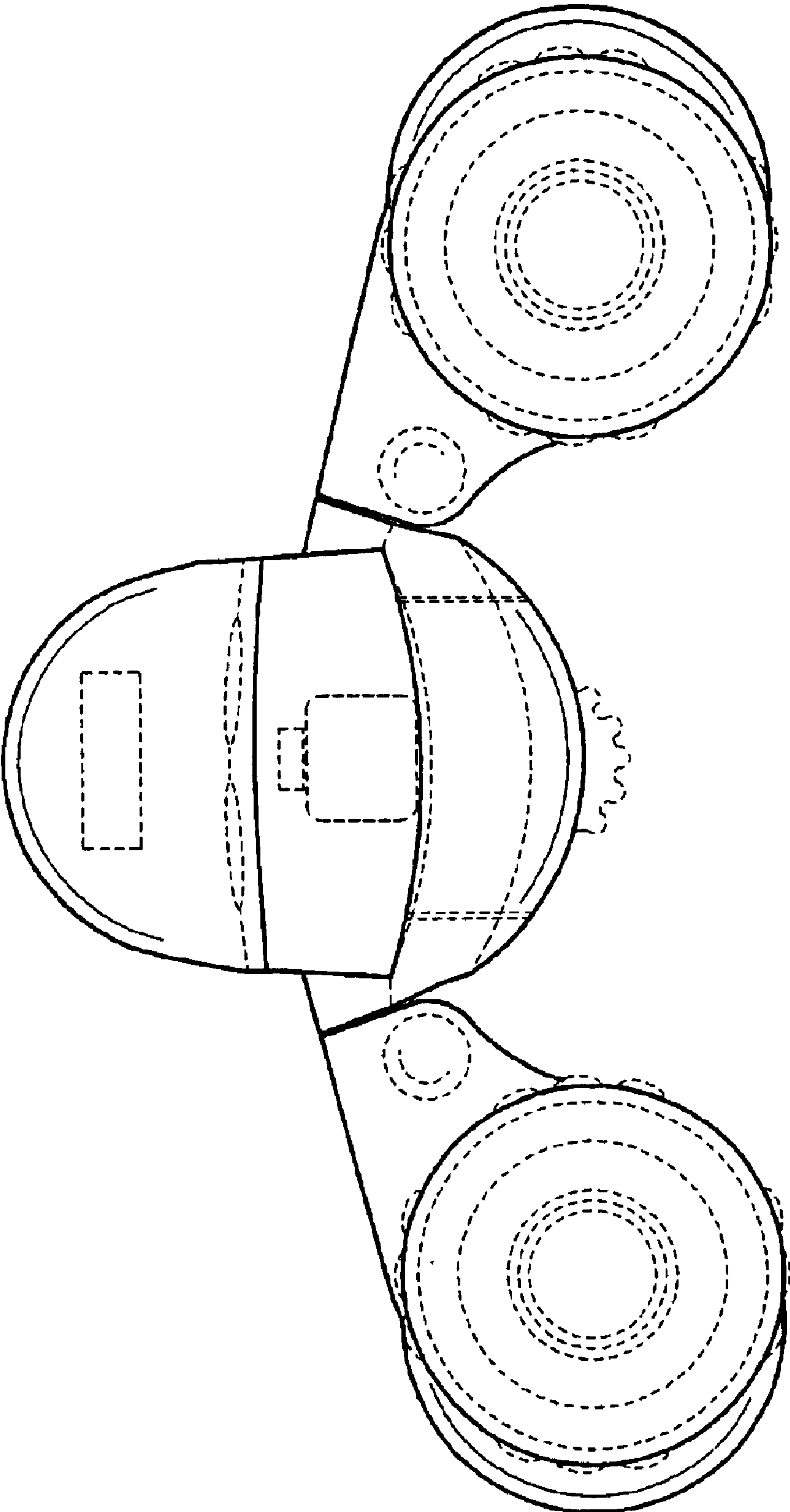


FIG. 4

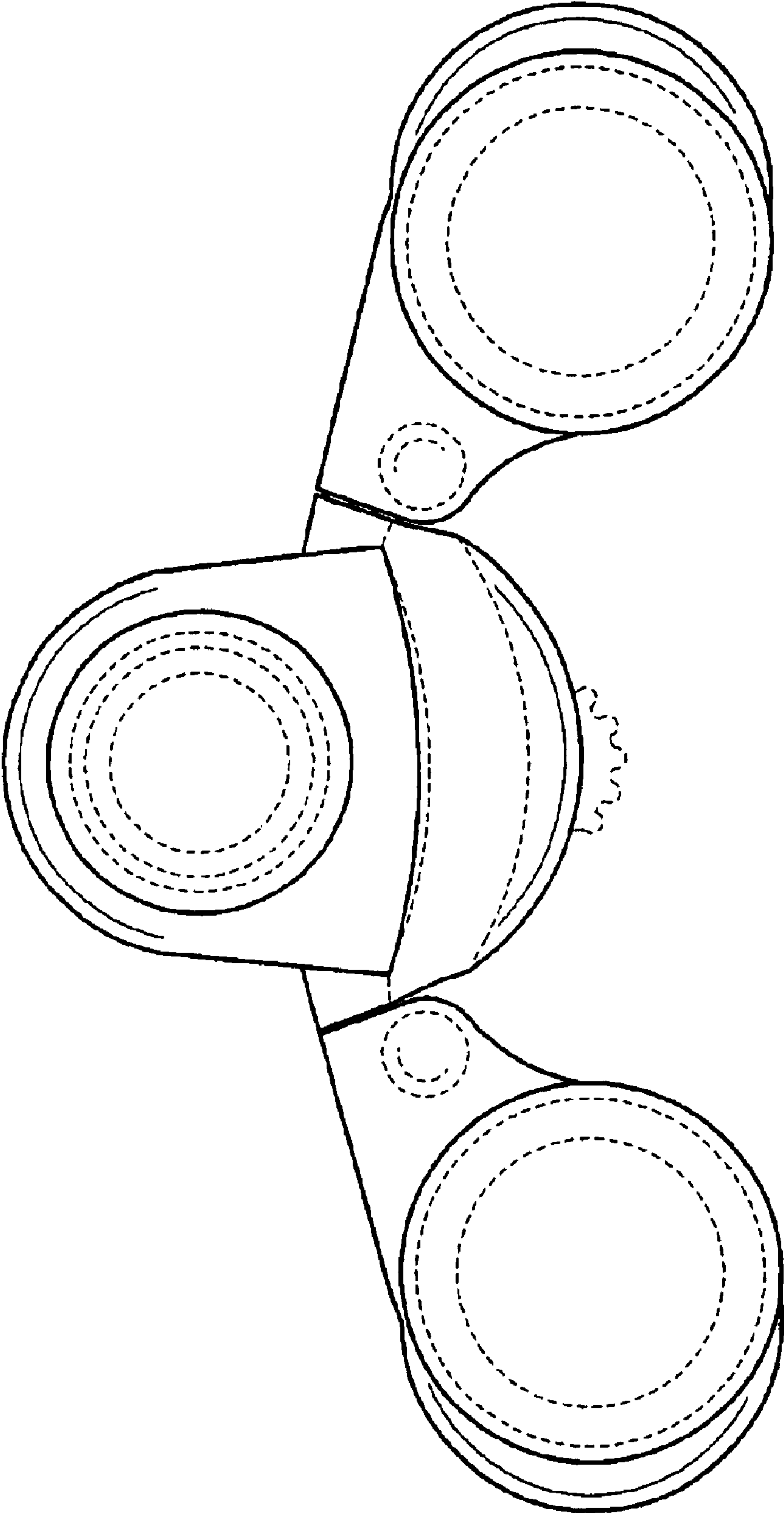


FIG. 5

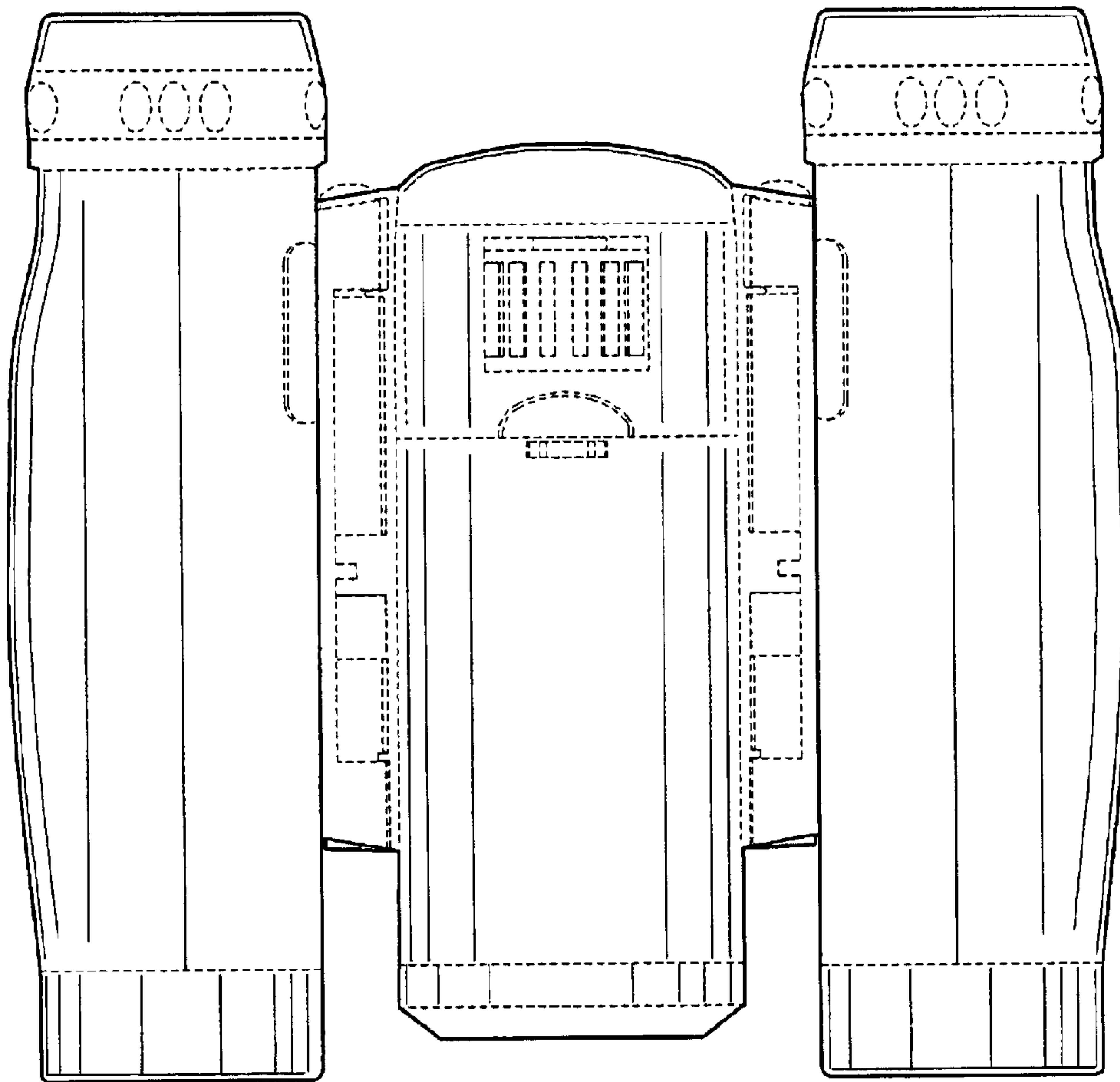


FIG. 6