

US00D496670S1

(12) **United States Design Patent**
Ohnishi

(10) **Patent No.:** **US D496,670 S**
(45) **Date of Patent:** **** Sep. 28, 2004**

(54) **RECIPROCATING PUMP**

(75) **Inventor:** **Toshiaki Ohnishi, Togane (JP)**
(73) **Assignee:** **Maruyama Mfg. Co., Inc., Tokyo (JP)**
(**) **Term:** **14 Years**

(21) **Appl. No.:** **29/176,636**
(22) **Filed:** **Feb. 27, 2003**

(30) **Foreign Application Priority Data**

Sep. 24, 2002 (JP) 2002-026059

(51) **LOC (7) Cl.** **15-02**
(52) **U.S. Cl.** **D15/7**
(58) **Field of Search** D15/7-9; 415/418;
417/321, 410.1, 413.1, 415, 423.3, 486,
521, 534

(56) **References Cited**

U.S. PATENT DOCUMENTS

D263,302 S * 3/1982 Terajima et al. D15/7
D328,304 S * 7/1992 Frohn et al. D15/7
D354,495 S * 1/1995 Tojo D15/7
D372,034 S * 7/1996 Handzel et al. D15/7

* cited by examiner

Primary Examiner—Ralf Seifert
(74) *Attorney, Agent, or Firm*—Leydig, Voit & Mayer, Ltd.

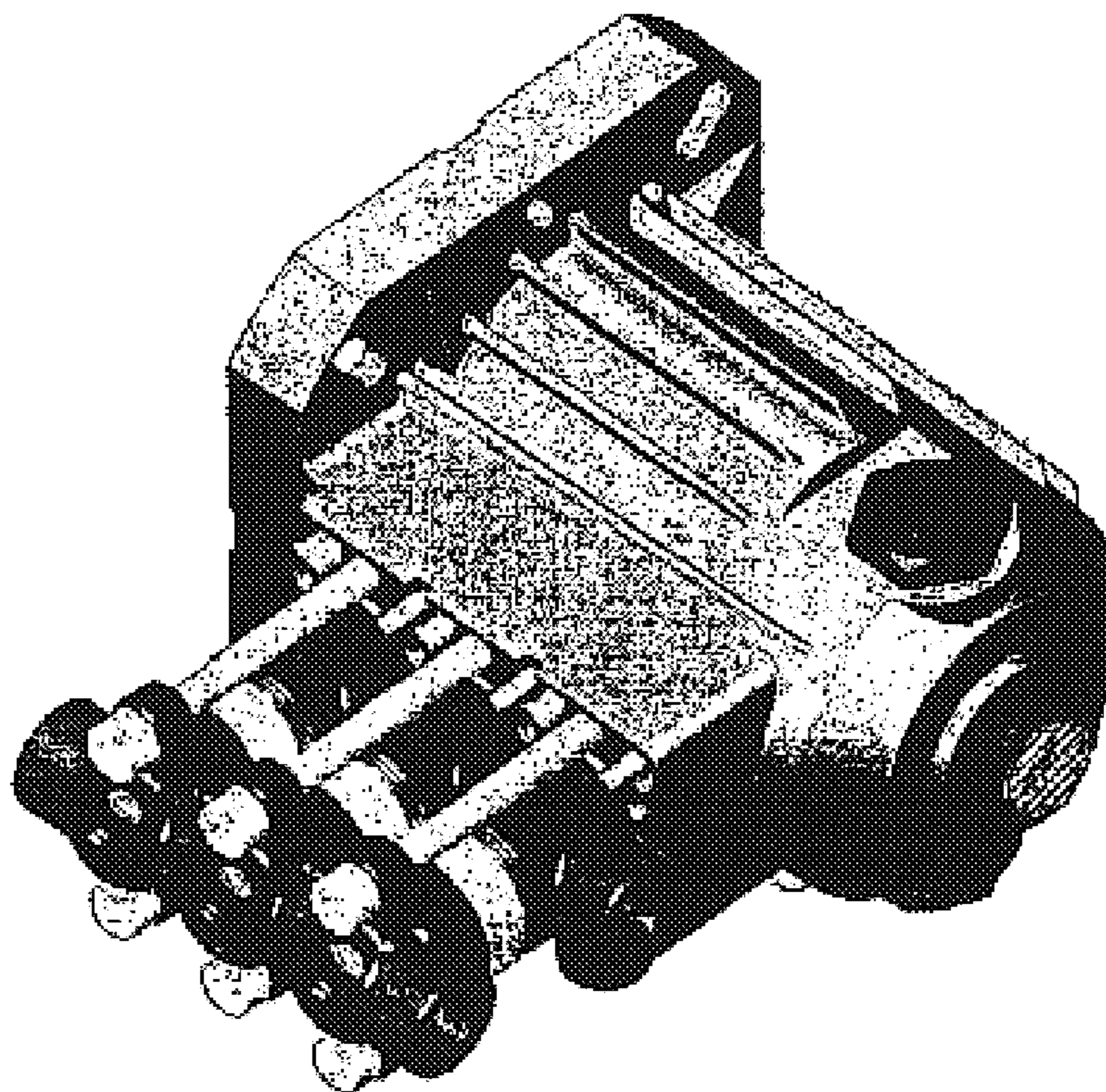
(57) **CLAIM**

The ornamental design for a reciprocating pump, as described and shown.

DESCRIPTION

FIG. 1 is a frontside perspective view of a reciprocating pump of the present invention.
FIG. 2 is a left side view of the reciprocating pump of FIG. 1.
FIG. 3 is a right side view of the reciprocating pump of FIG. 1.
FIG. 4 is a top view of the reciprocating pump of FIG. 1.
FIG. 5 is a bottom view of the reciprocating pump of FIG. 1.
FIG. 6 is a front view of a reciprocating pump of FIG. 1.
FIG. 7 is a rear view of the reciprocating pump of FIG. 1.
FIG. 8 is a rearside perspective view of the reciprocating pump of FIG. 1; and,
FIG. 9 is a frontside perspective view of a reciprocating pump of the present invention.

1 Claim, 5 Drawing Sheets



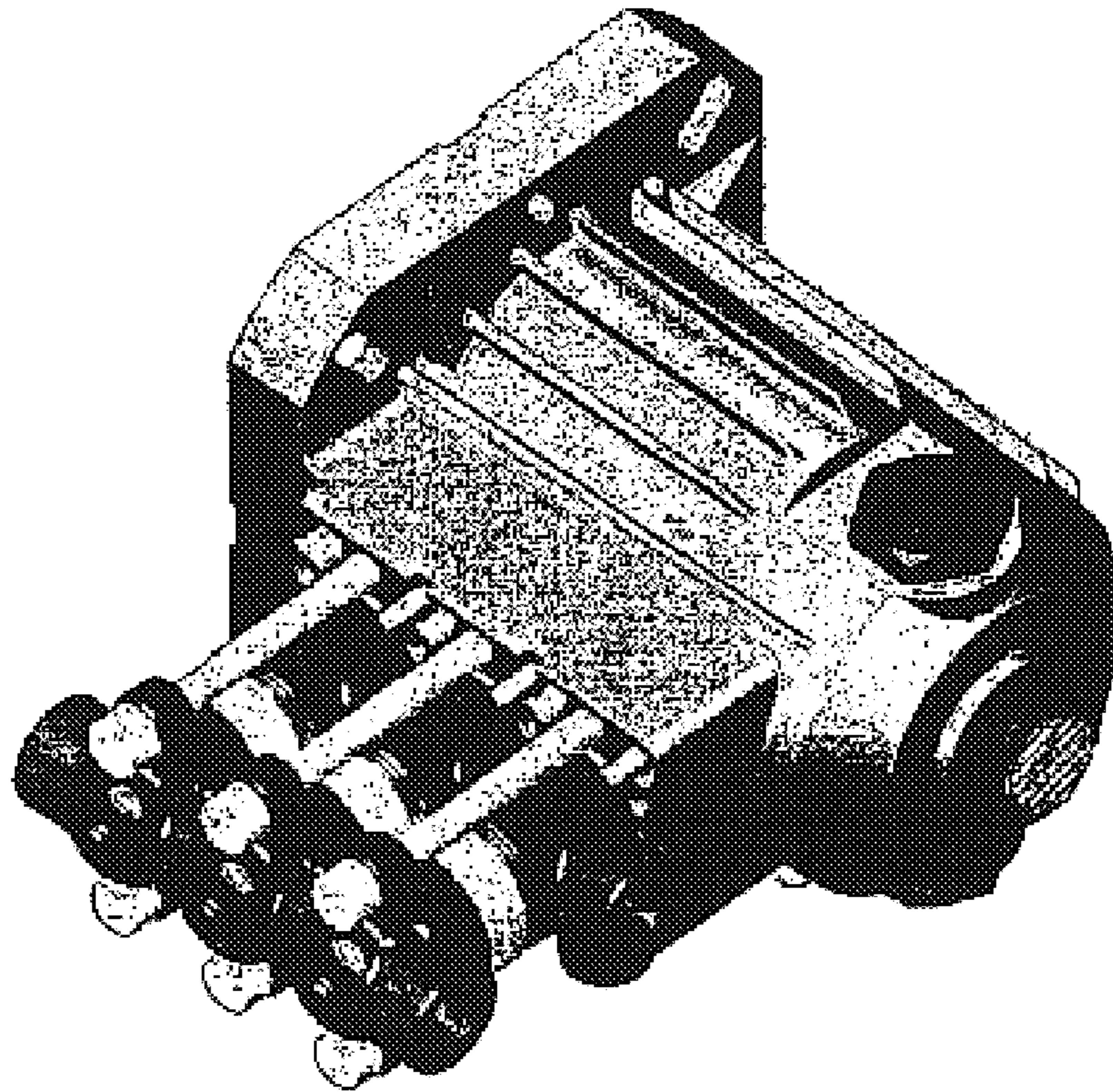


FIG. 1

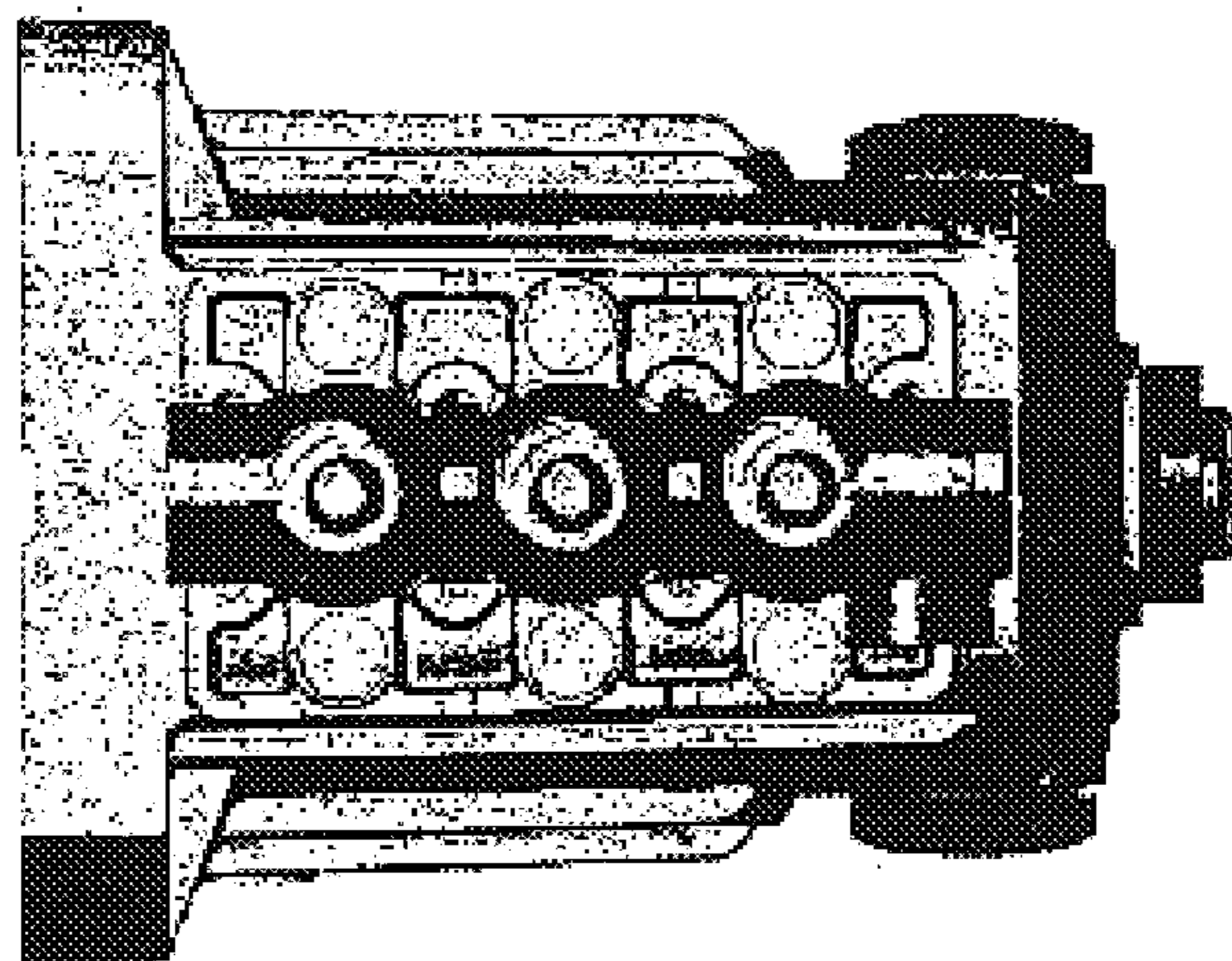


FIG. 2

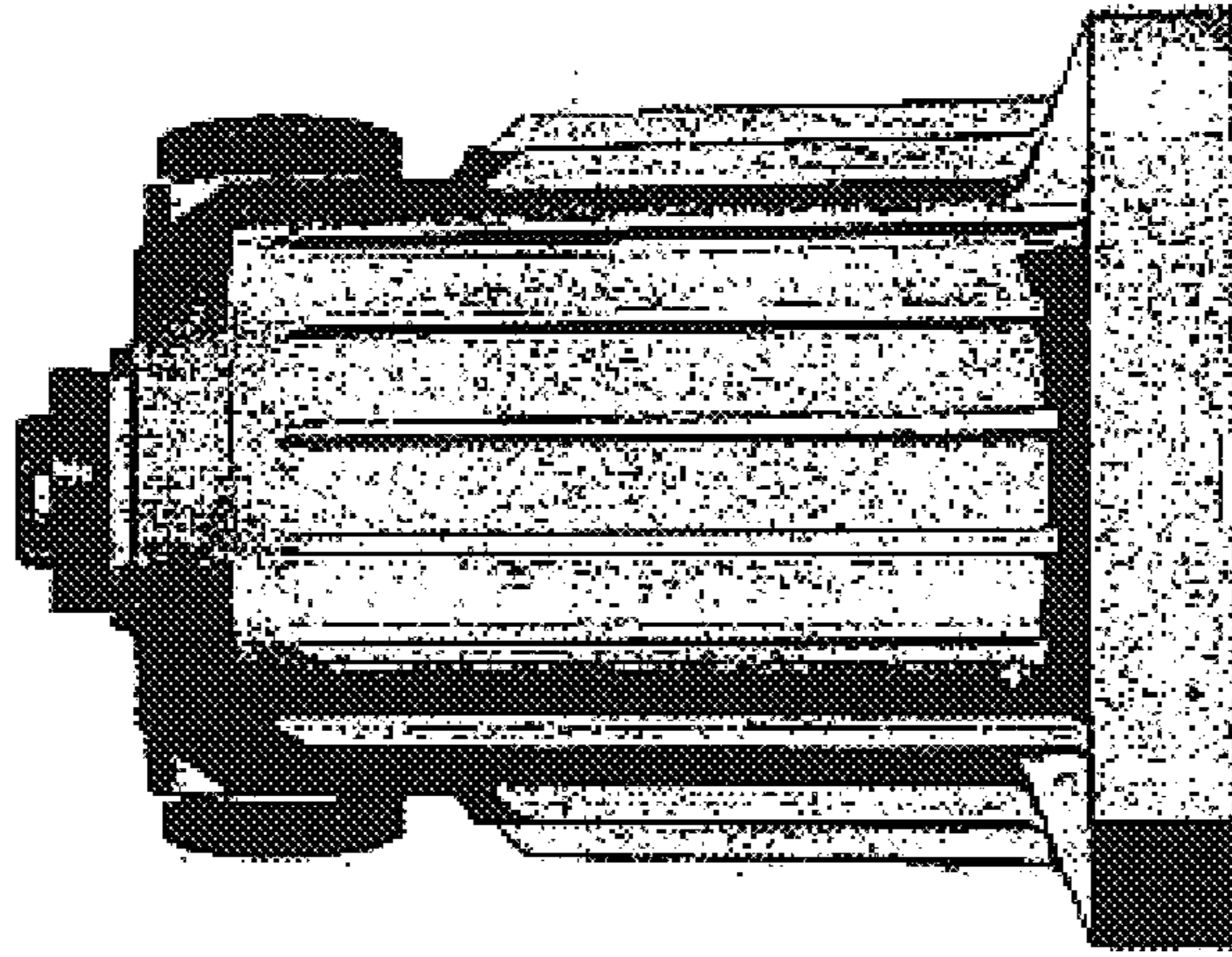


FIG. 3

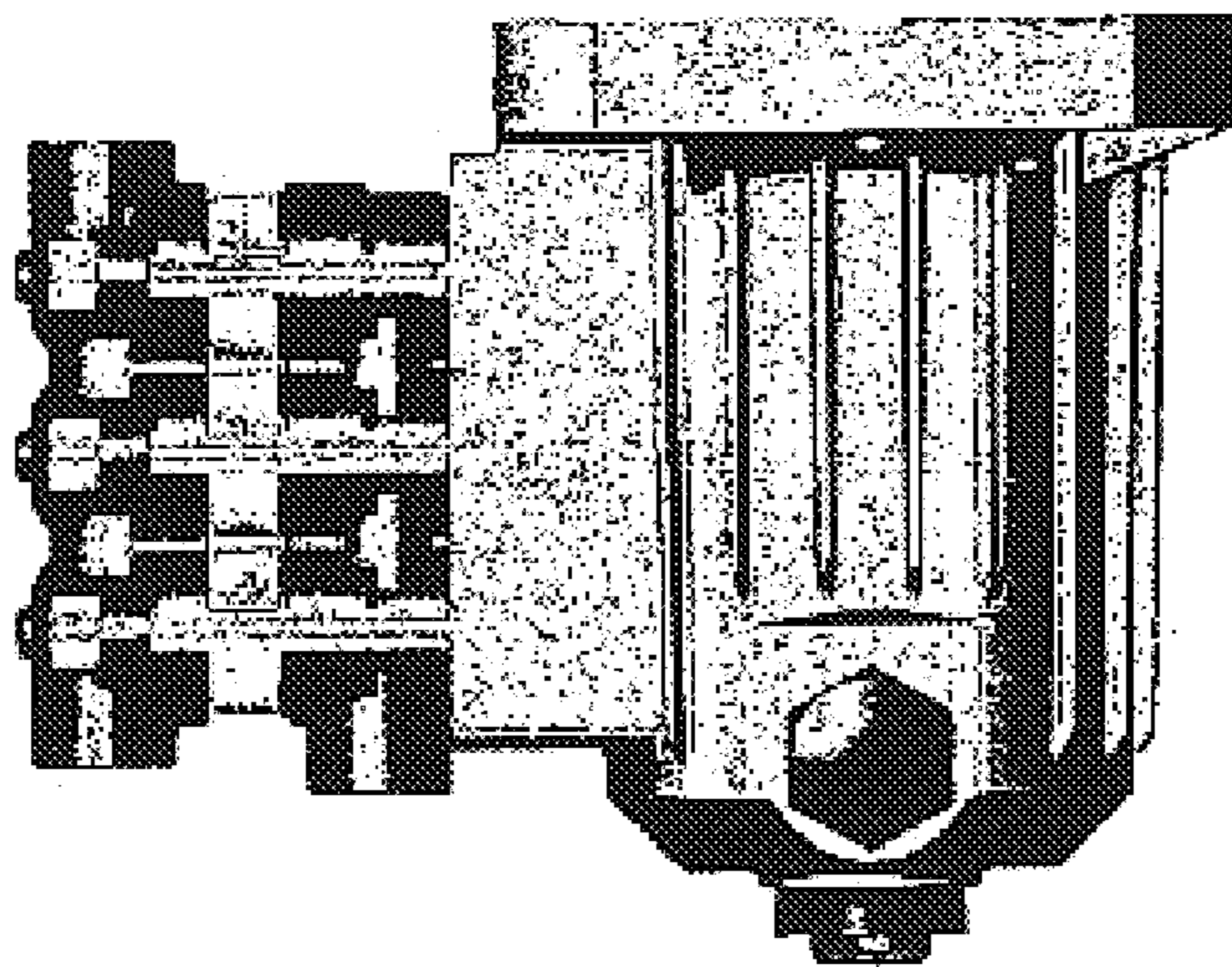


FIG. 4

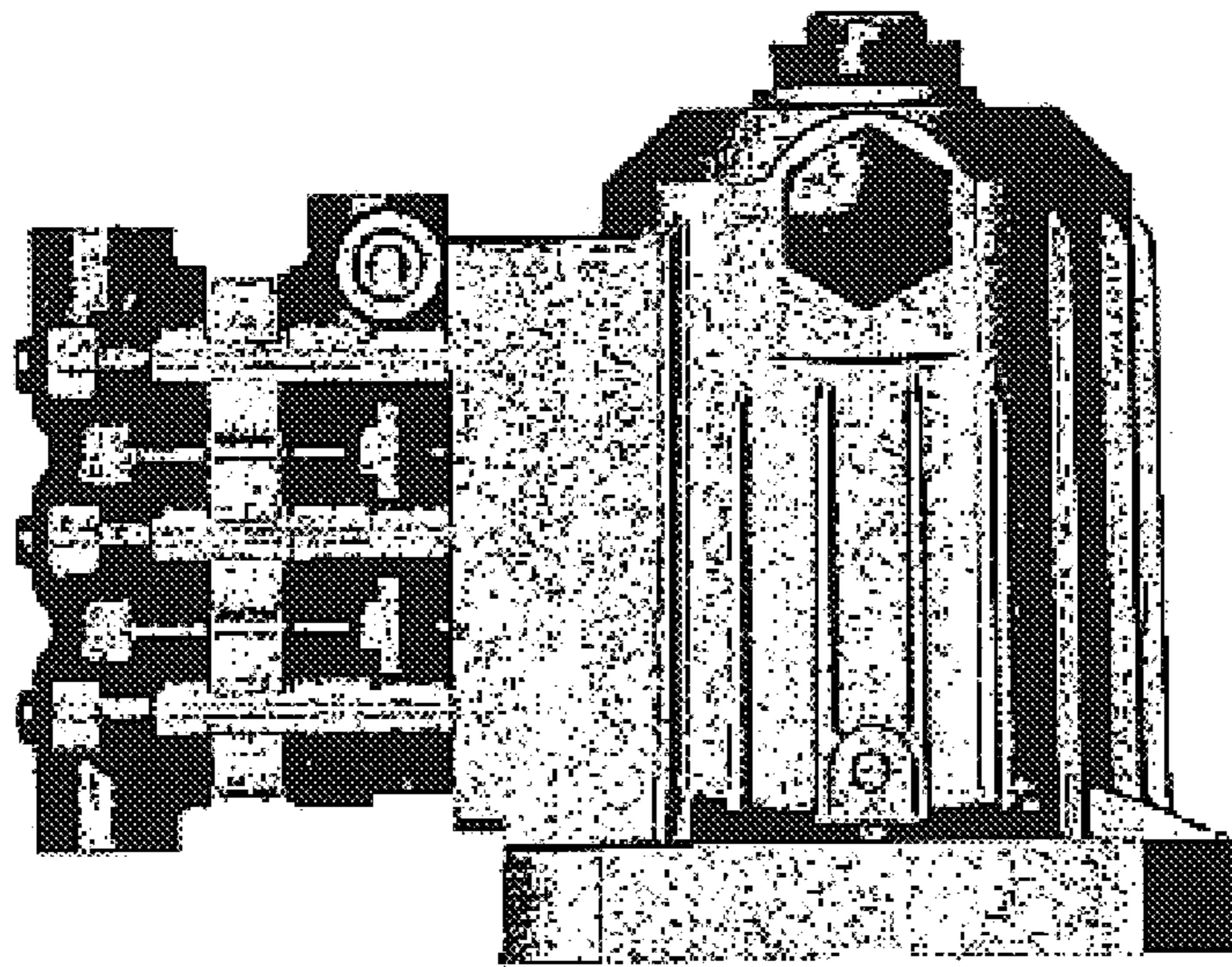


FIG. 5

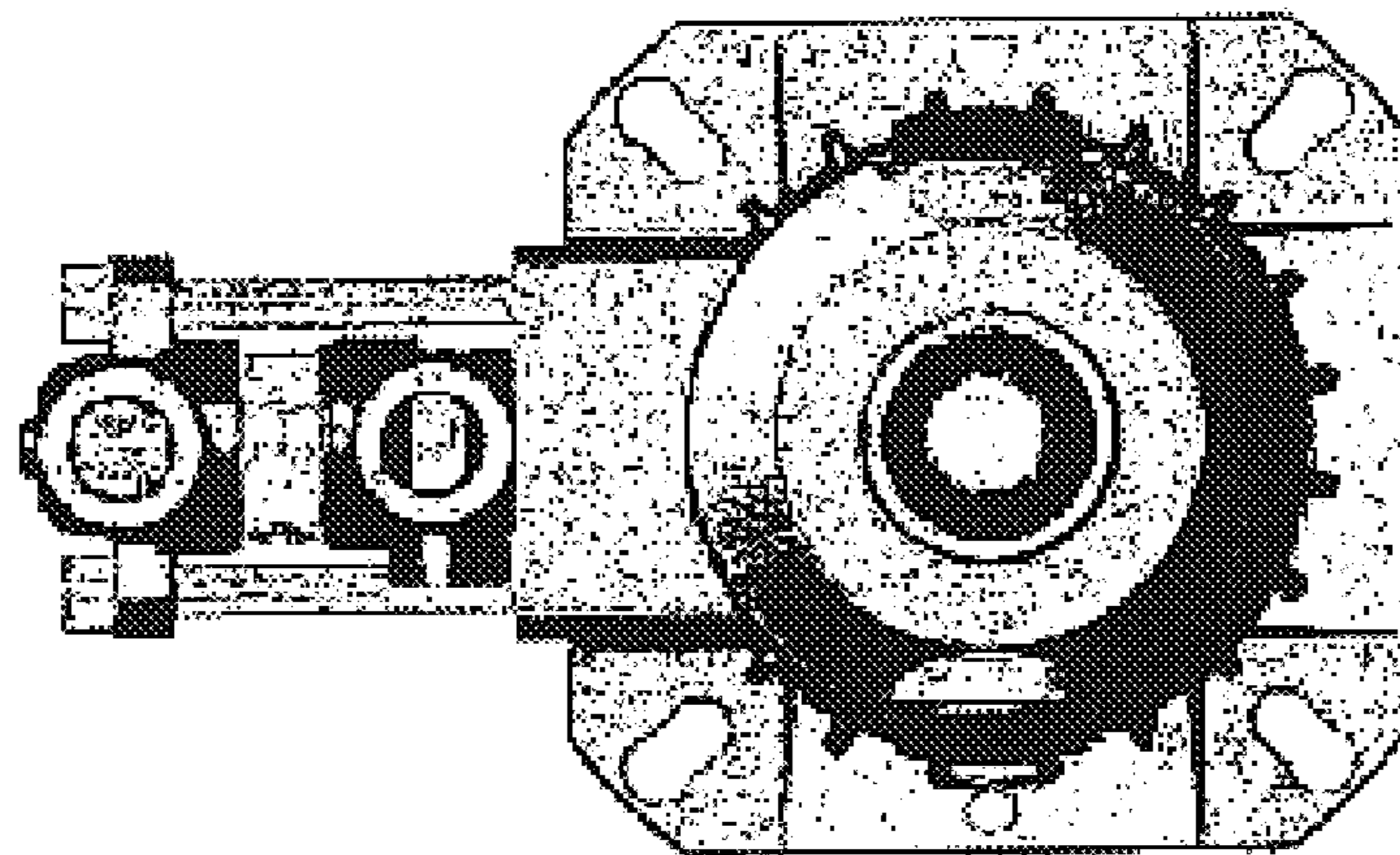


FIG. 6

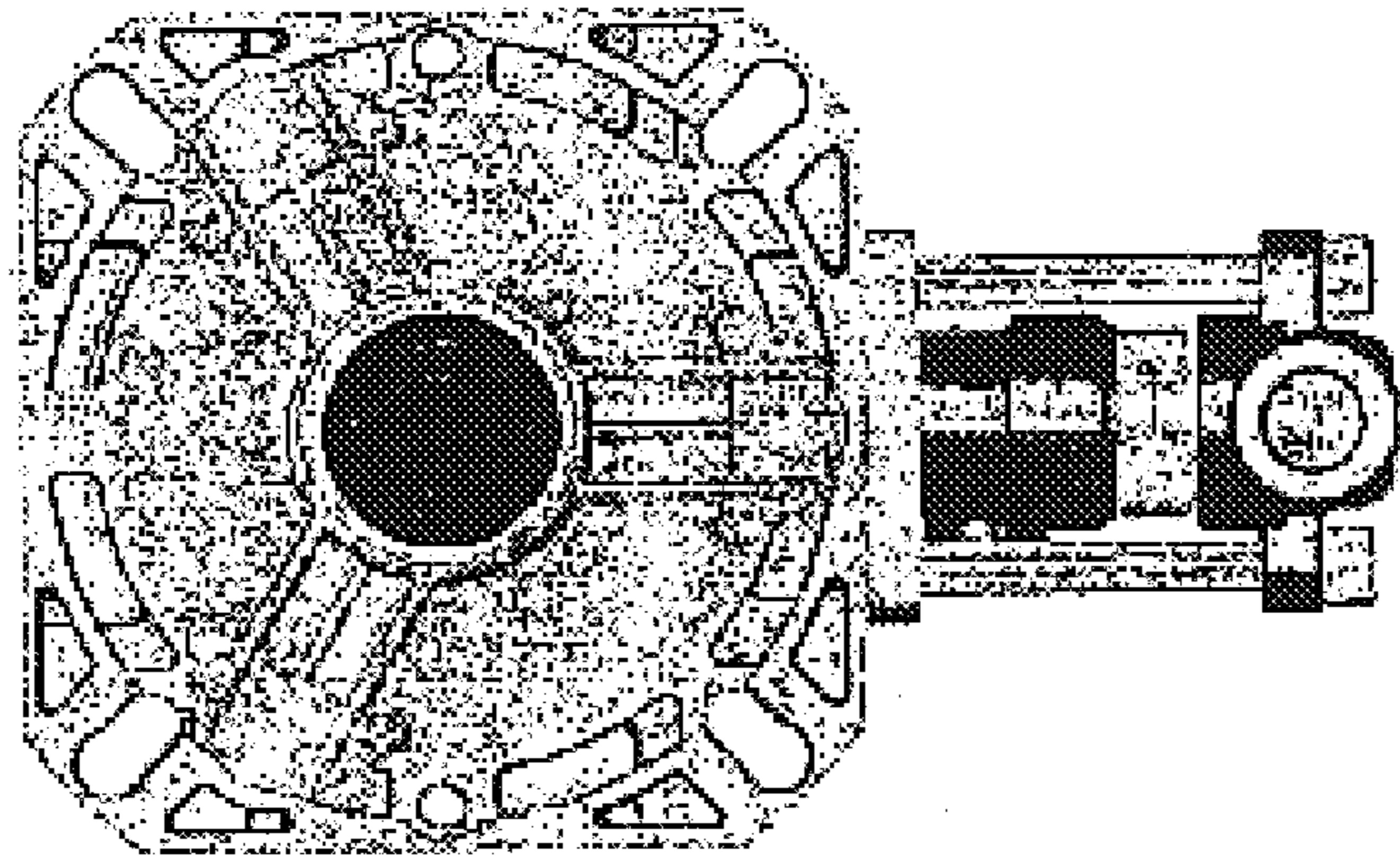


FIG. 7

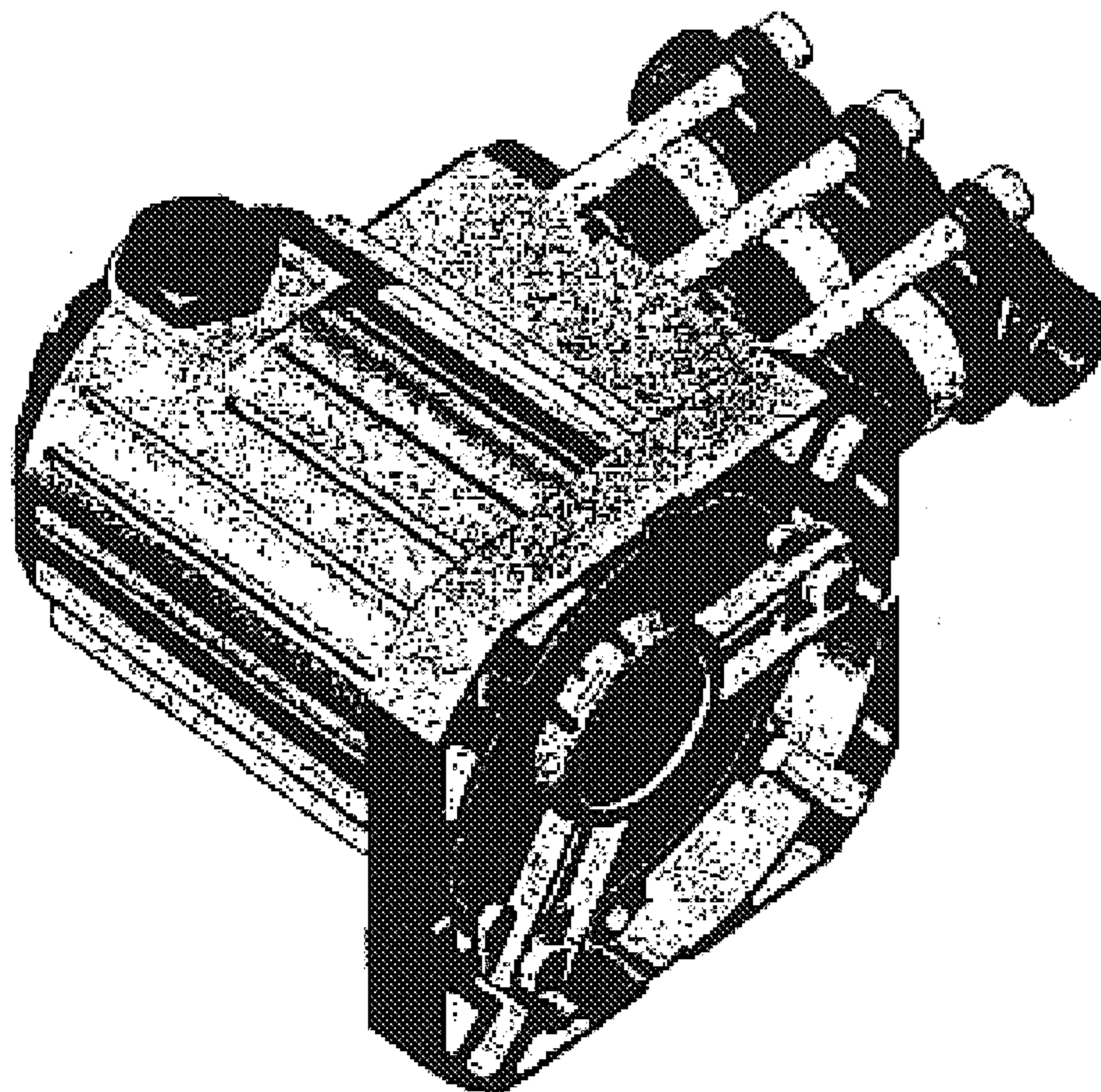


FIG. 8

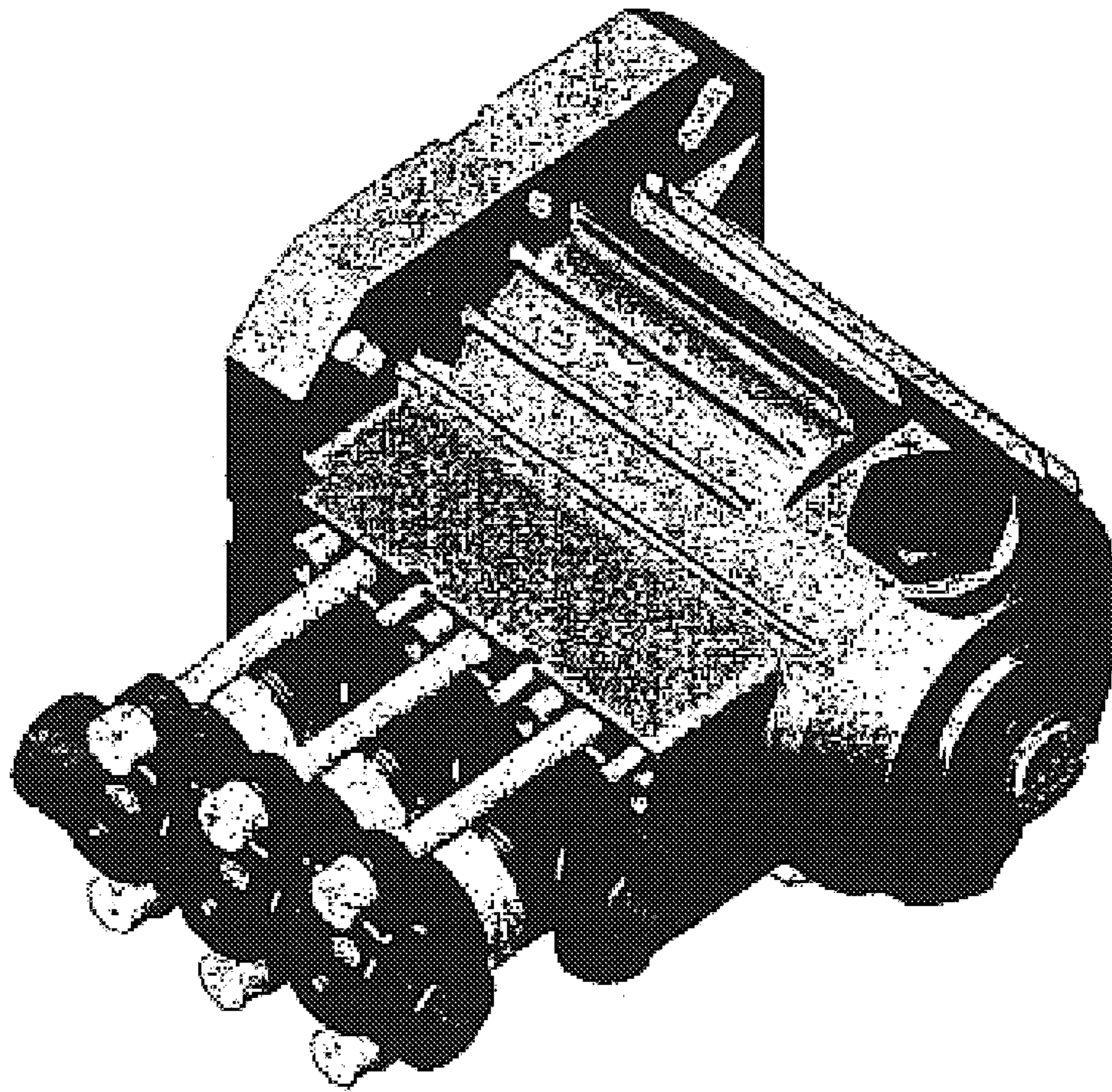


FIG. 9