

US00D496669S1

(12) **United States Design Patent** (10) **Patent No.:** **US D496,669 S**  
**Wolford et al.** (45) **Date of Patent:** **\*\* Sep. 28, 2004**

(54) **TRANSMISSION FILTER**

(75) Inventors: **James B. Wolford**, Chicago, IL (US);  
**Abraham Khalil**, Lake Barrington, IL (US)

(73) Assignee: **SPX Corporation**, Charlotte, NC (US)

(\*\*) Term: **14 Years**

(21) Appl. No.: **29/192,876**

(22) Filed: **Oct. 31, 2003**

(51) **LOC (7) Cl.** ..... **15-01**

(52) **U.S. Cl.** ..... **D15/5**

(58) **Field of Search** ..... D15/1-5, 149;  
210/168, 314, 445

(56) **References Cited**

**U.S. PATENT DOCUMENTS**

D420,682 S	*	2/2000	Werner	.....	D15/5
D457,893 S	*	5/2002	Caldwell	.....	D15/5
D463,803 S	*	10/2002	Wolford	.....	D15/5
D464,062 S	*	10/2002	Wolford	.....	D15/5
D472,247 S	*	3/2003	Beer et al.	.....	D15/5

\* cited by examiner

*Primary Examiner*—Melody N. Brown

(74) *Attorney, Agent, or Firm*—Baker & Hostetler LLP

(57) **CLAIM**

The ornamental design for a transmission filter, as shown and described.

**DESCRIPTION**

FIG. 1 is a perspective view of a transmission filter showing our new design;

FIG. 2 is a right side elevation view thereof;

FIG. 3 is a left-side elevation view thereof;

FIG. 4 is a front elevation view of a transmission filter showing our new design;

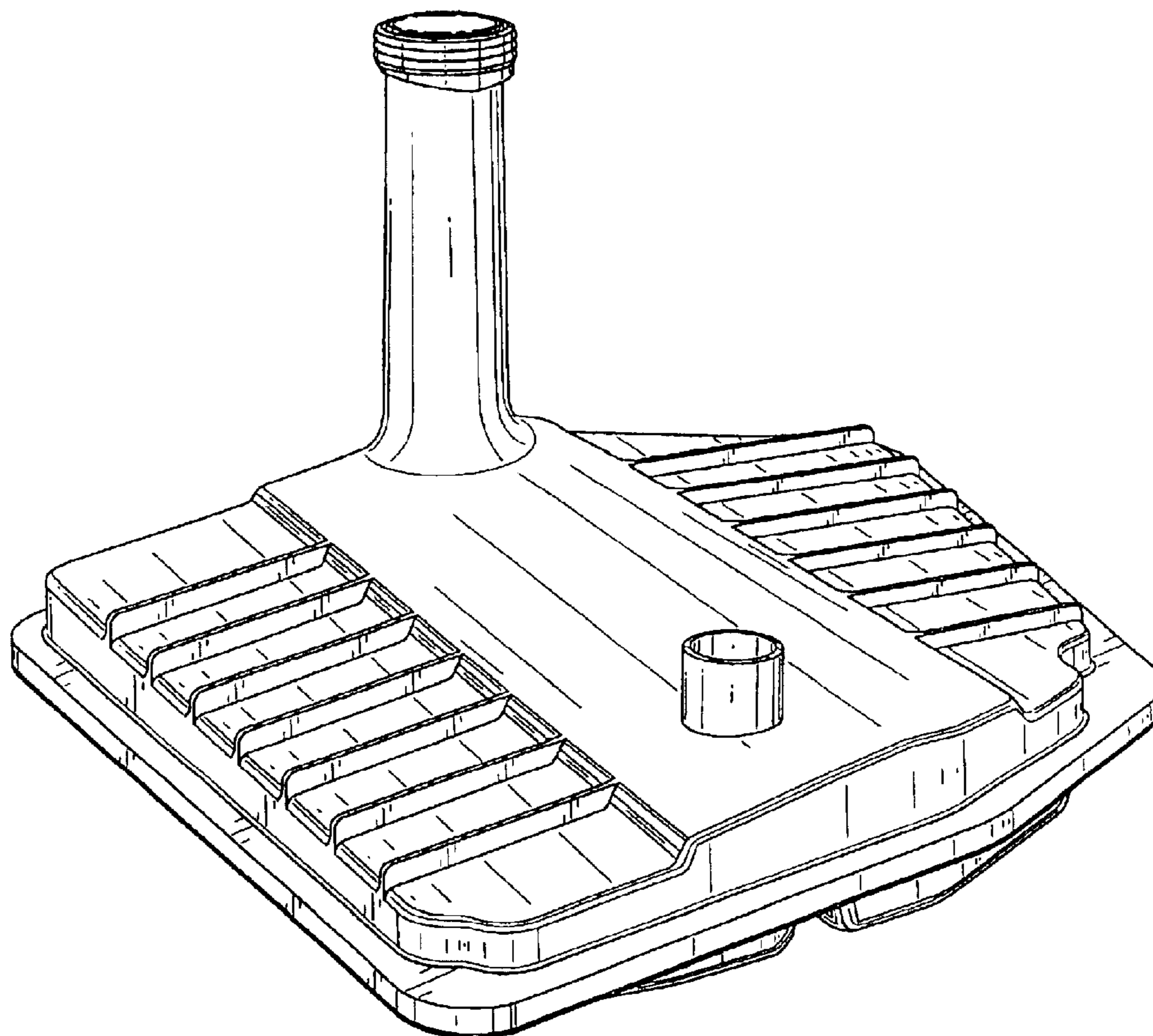
FIG. 5 is a rear elevation view of a transmission filter showing our new design;

FIG. 6 is a top plan view thereof; and,

FIG. 7 is a bottom plan view thereof.

The broken lines shown throughout the drawing are for illustrative purposes only and form no part of the claimed design.

**1 Claim, 7 Drawing Sheets**



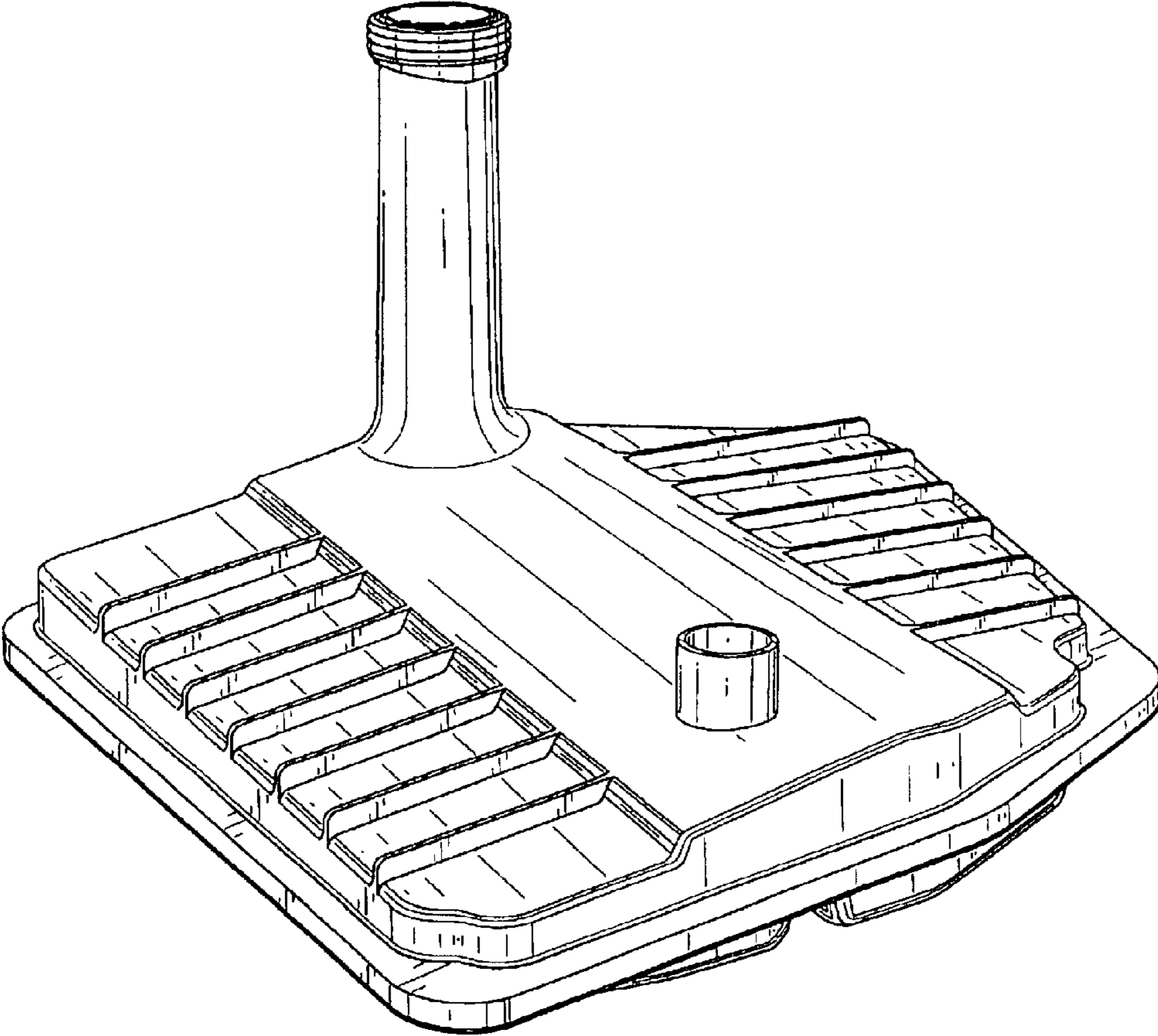


FIG. 1

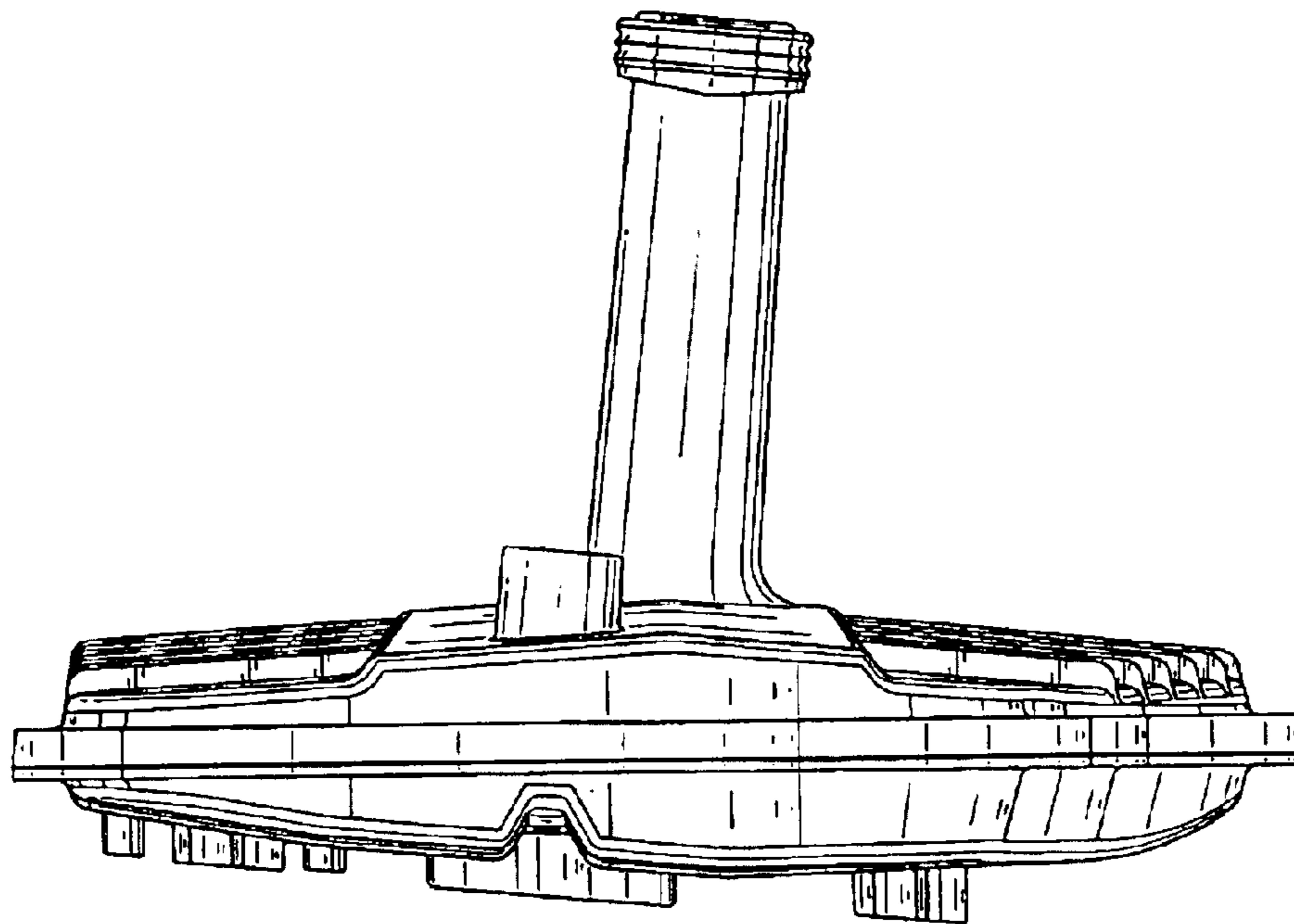


FIG. 2

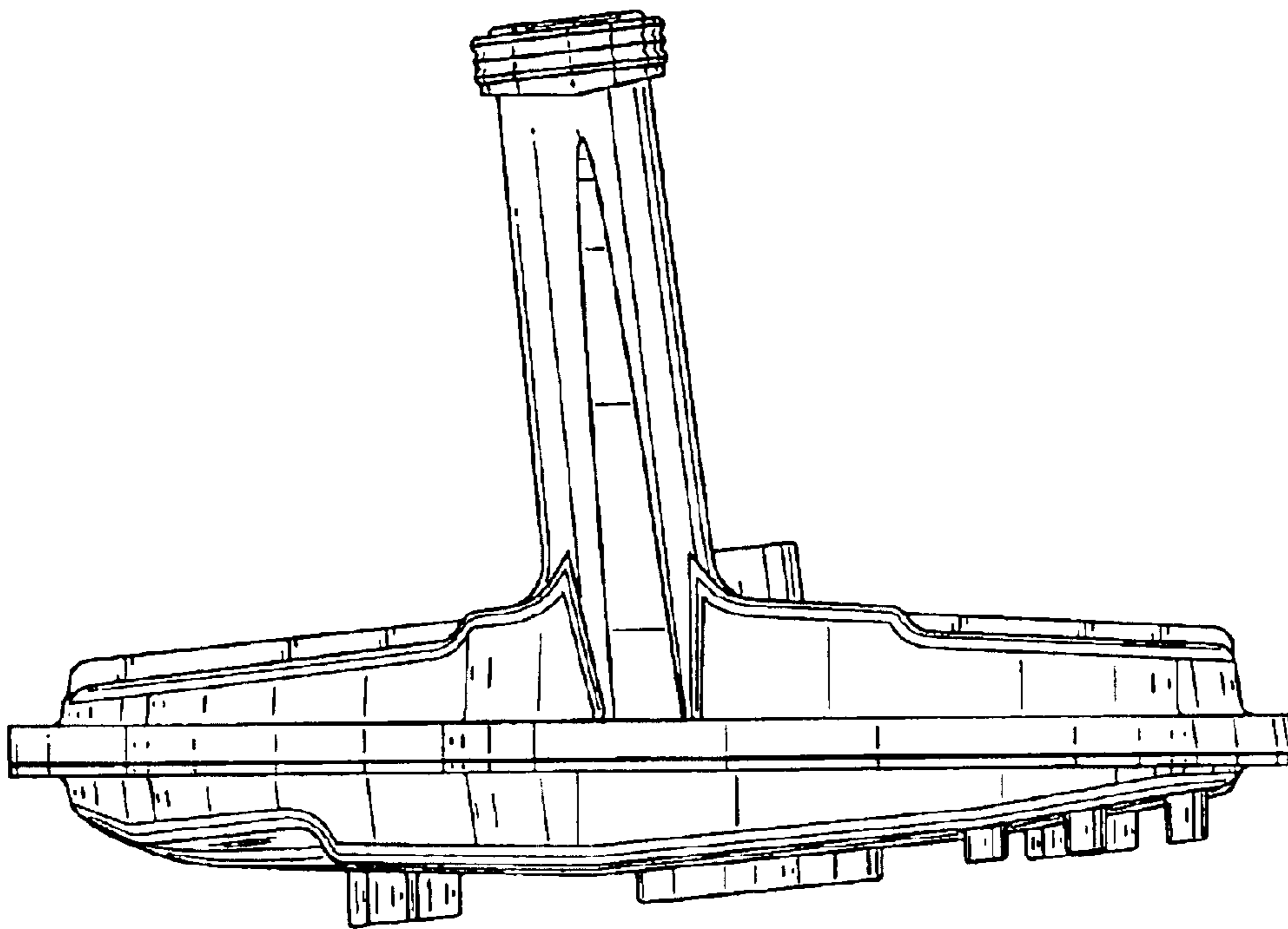


FIG. 3

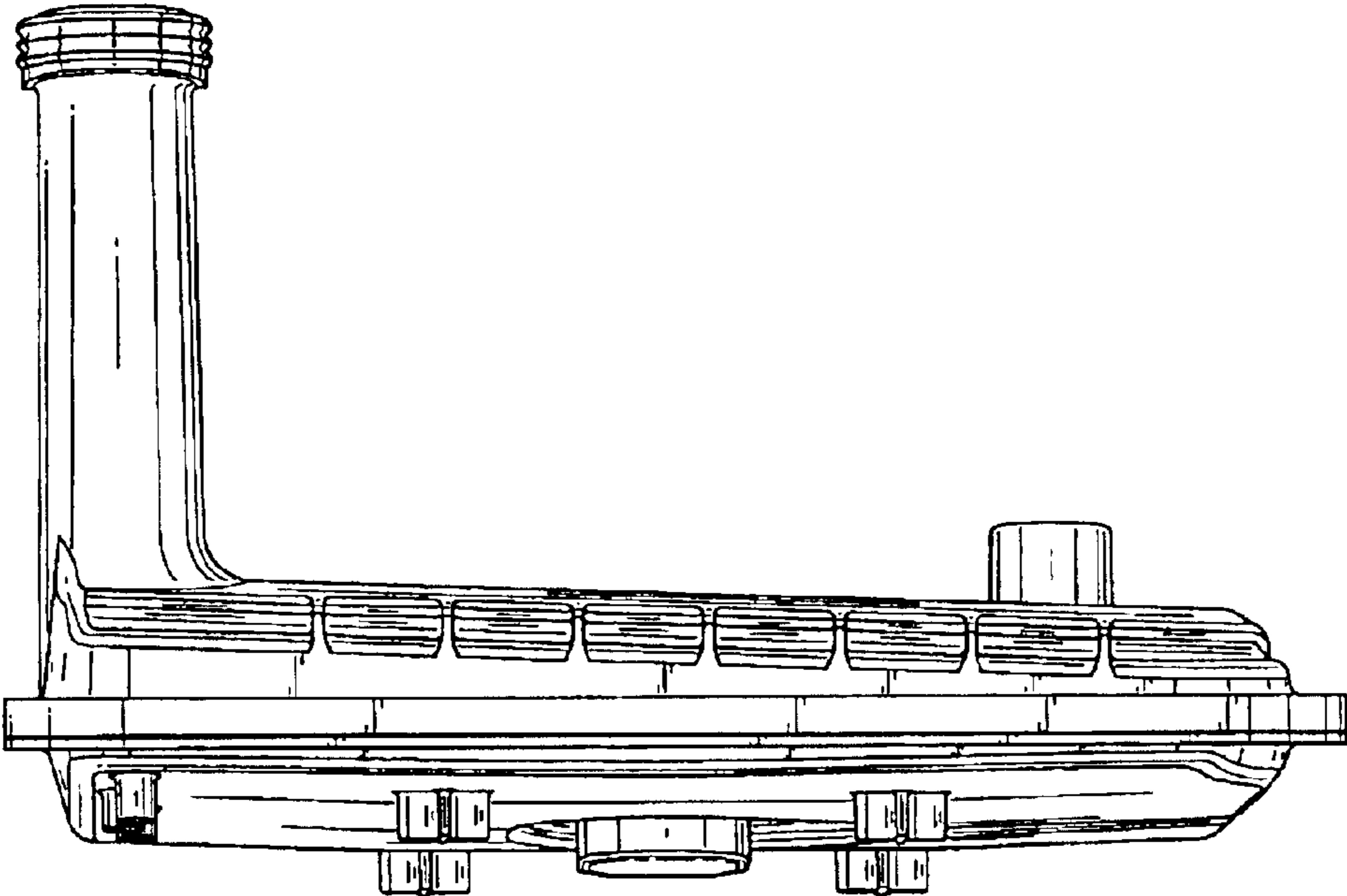


FIG. 4

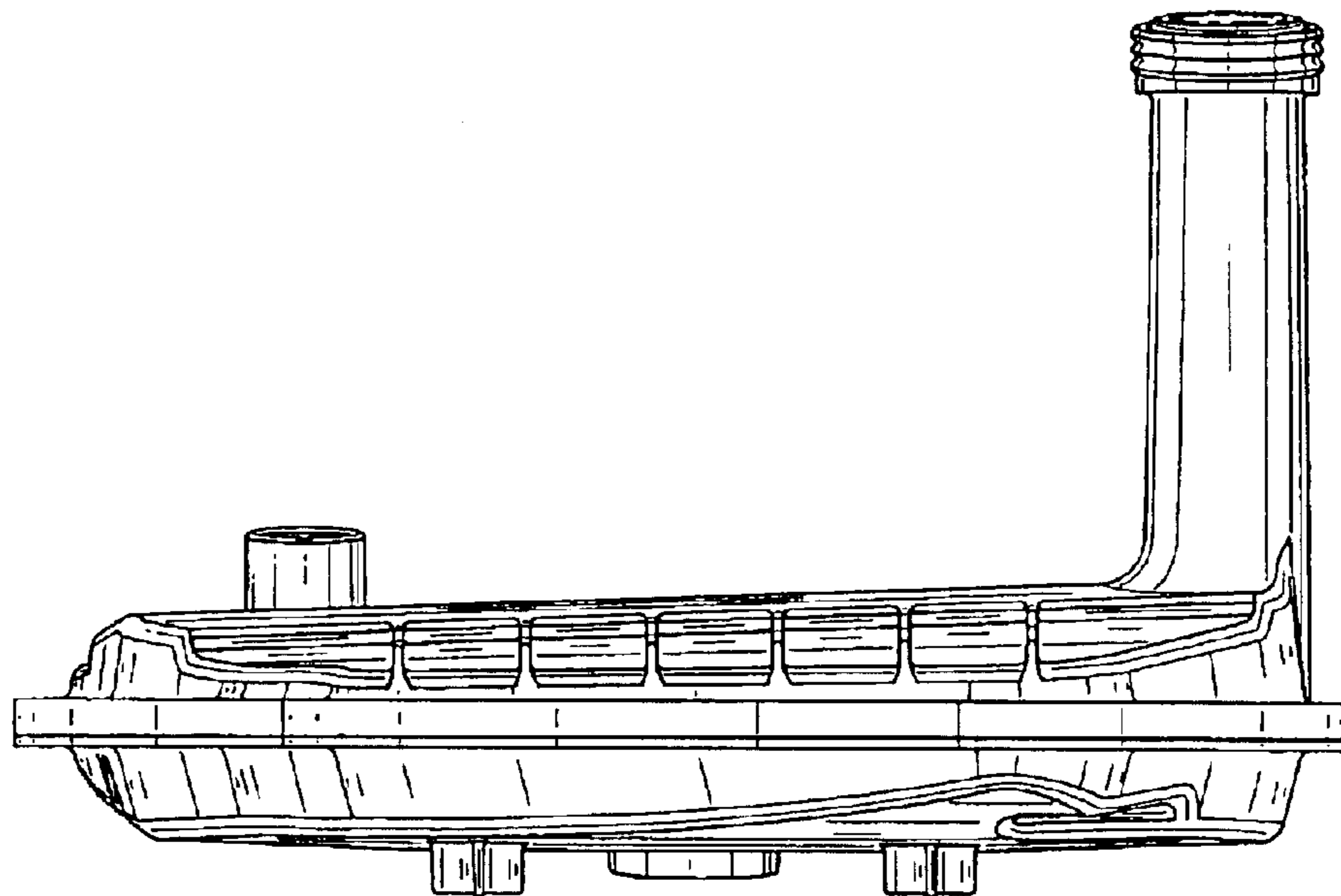


FIG. 5

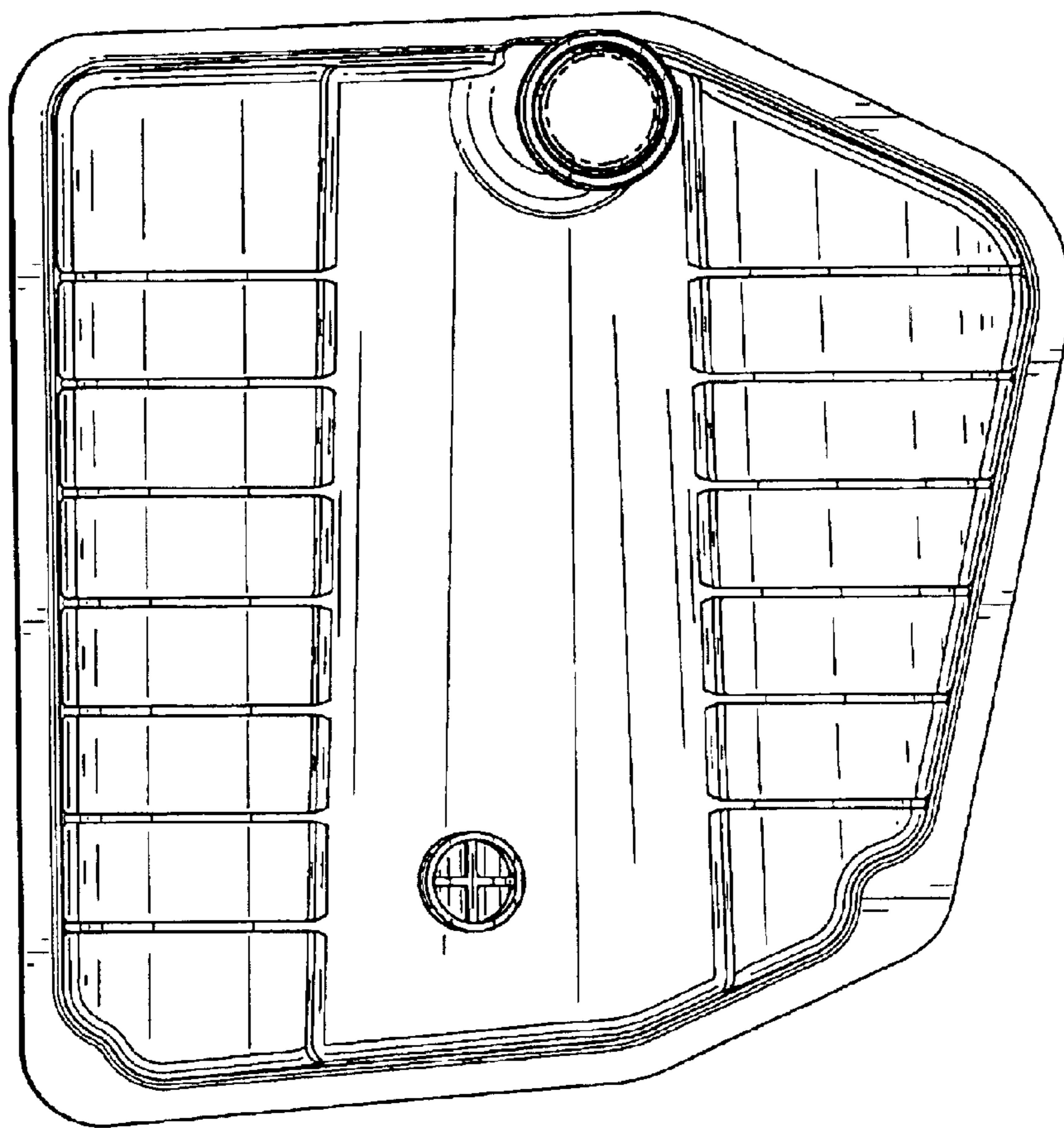


FIG. 6

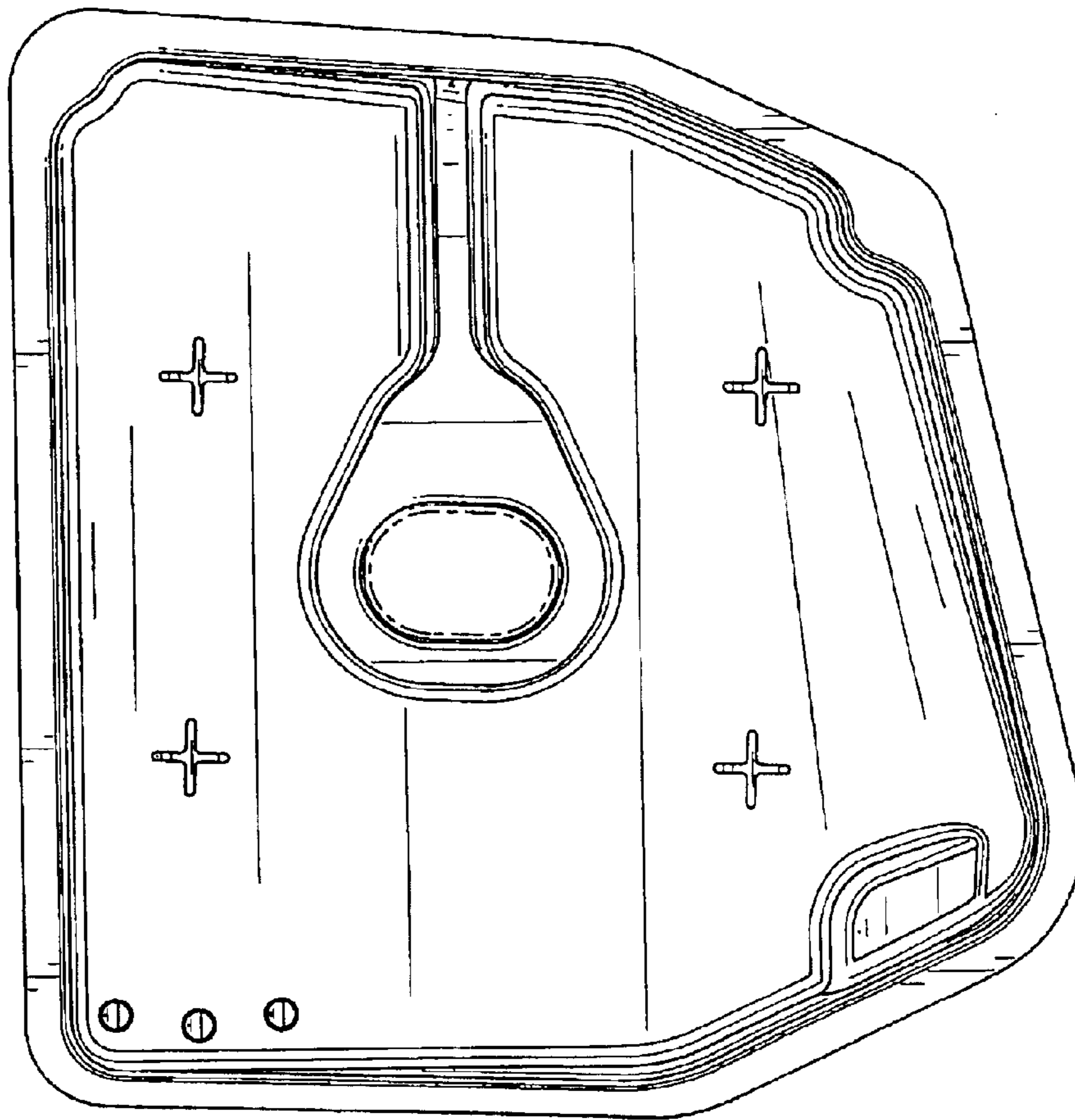


FIG. 7