

US00D496660S1

(12) **United States Design Patent**  
**Liu**

(10) **Patent No.:** **US D496,660 S**  
(45) **Date of Patent:** **\*\* Sep. 28, 2004**

(54) **LIQUID CRYSTAL DISPLAY**

(75) **Inventor:** **G Liu, Taipei (TW)**

(73) **Assignee:** **Hannspree, Inc., Taipei (TW)**

(\*\*) **Term:** **14 Years**

(21) **Appl. No.:** **29/196,758**

(22) **Filed:** **Jan. 5, 2004**

(30) **Foreign Application Priority Data**

Dec. 5, 2003 (TW) ..... 92307343

(51) **LOC (7) Cl.** ..... **14-02**

(52) **U.S. Cl.** ..... **D14/371**

(58) **Field of Search** ..... D14/371-375,  
D14/125-129; 345/104, 156, 168, 173,  
901-905, 87; 248/917-924; 348/180, 184,  
325, 739; 341/12; 349/1, 2, 11, 62

(56) **References Cited**

**U.S. PATENT DOCUMENTS**

D381,323 S \* 7/1997 Hartman ..... D14/374

D476,654 S \* 7/2003 Zuege et al. .... D14/371  
D481,721 S \* 11/2003 Lin ..... D14/371  
D481,725 S \* 11/2003 Lin ..... D14/375

\* cited by examiner

*Primary Examiner*—Freda S. Nunn

(74) *Attorney, Agent, or Firm*—Thomas, Kayden,  
Horstemeyer & Risley

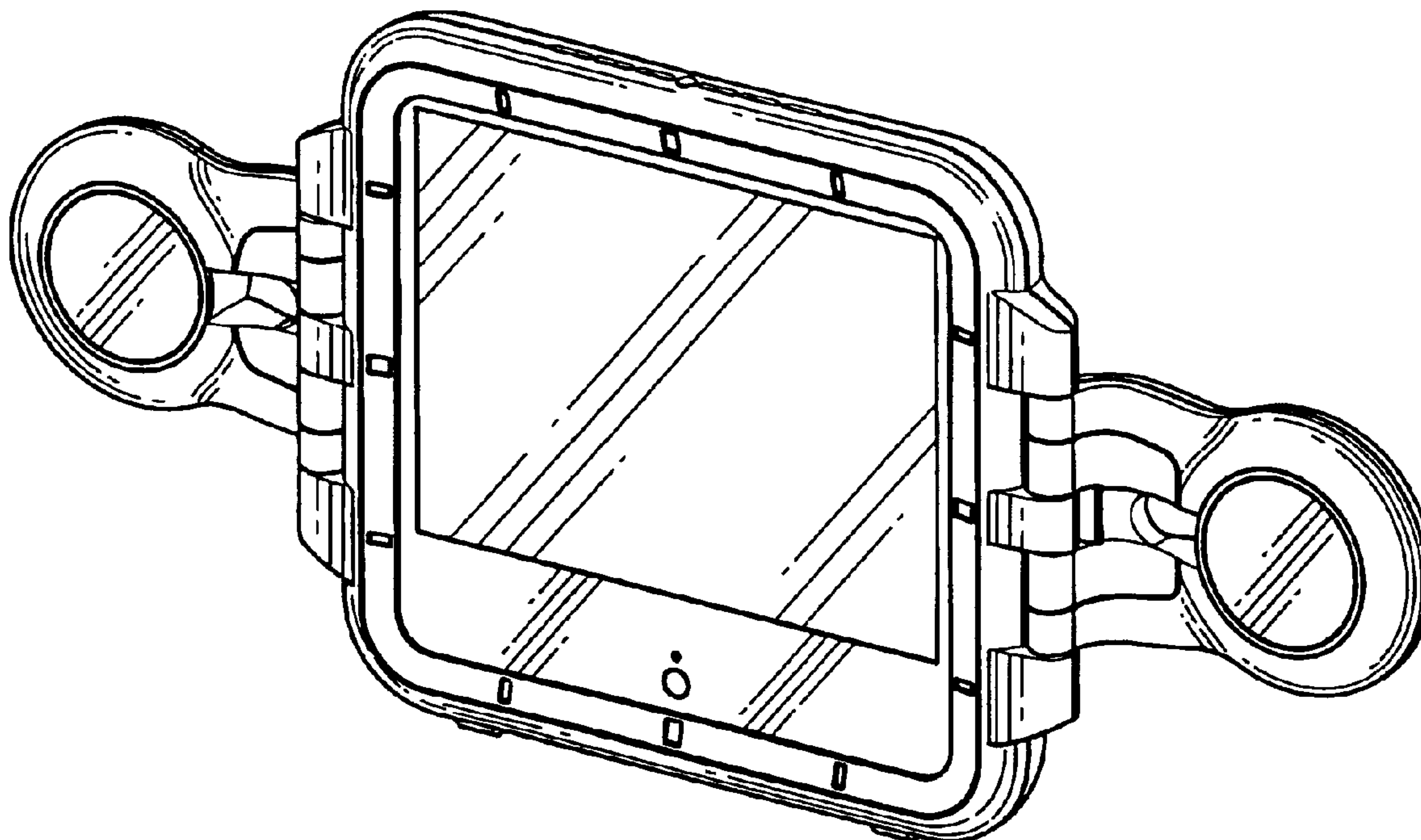
(57) **CLAIM**

The ornamental design for a liquid crystal display, as shown  
and described.

**DESCRIPTION**

FIG. 1 is a front perspective view thereof;  
FIG. 2 is a front elevational view thereof;  
FIG. 3 is a rear elevational view thereof;  
FIG. 4 is a left side elevational view thereof;  
FIG. 5 is a right side elevational view thereof;  
FIG. 6 is a top plane view thereof; and,  
FIG. 7 is a bottom plane view thereof.

**1 Claim, 6 Drawing Sheets**



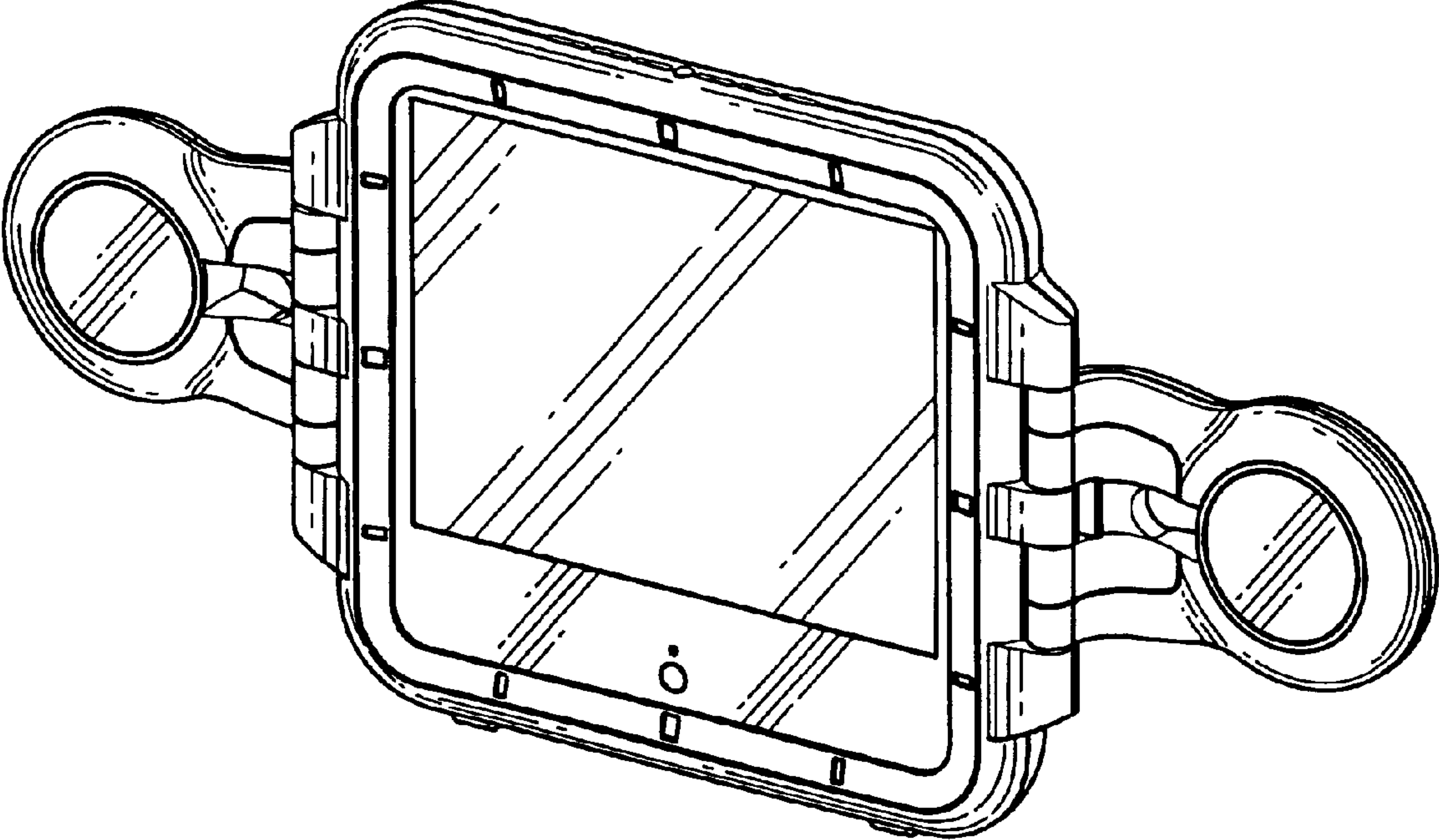


FIG. 1

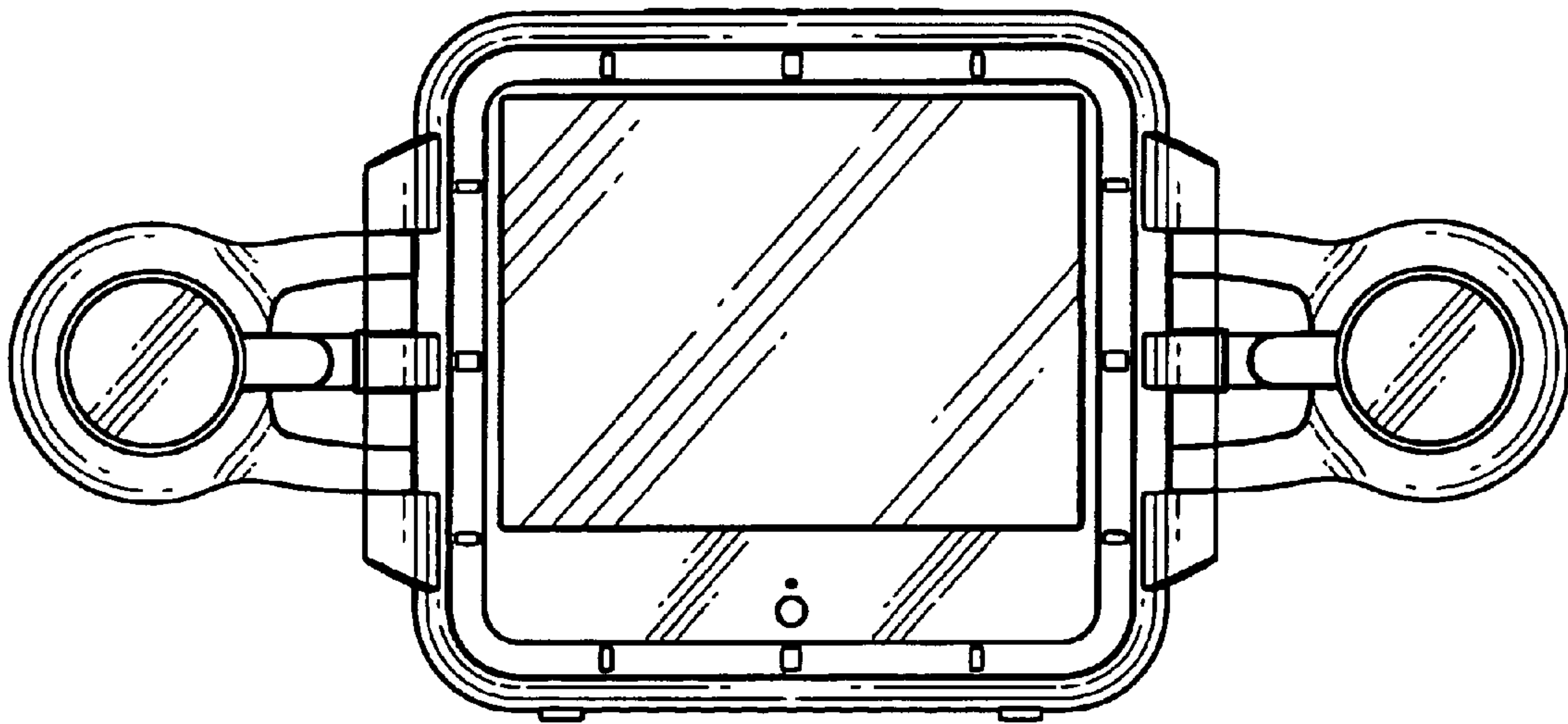


FIG. 2

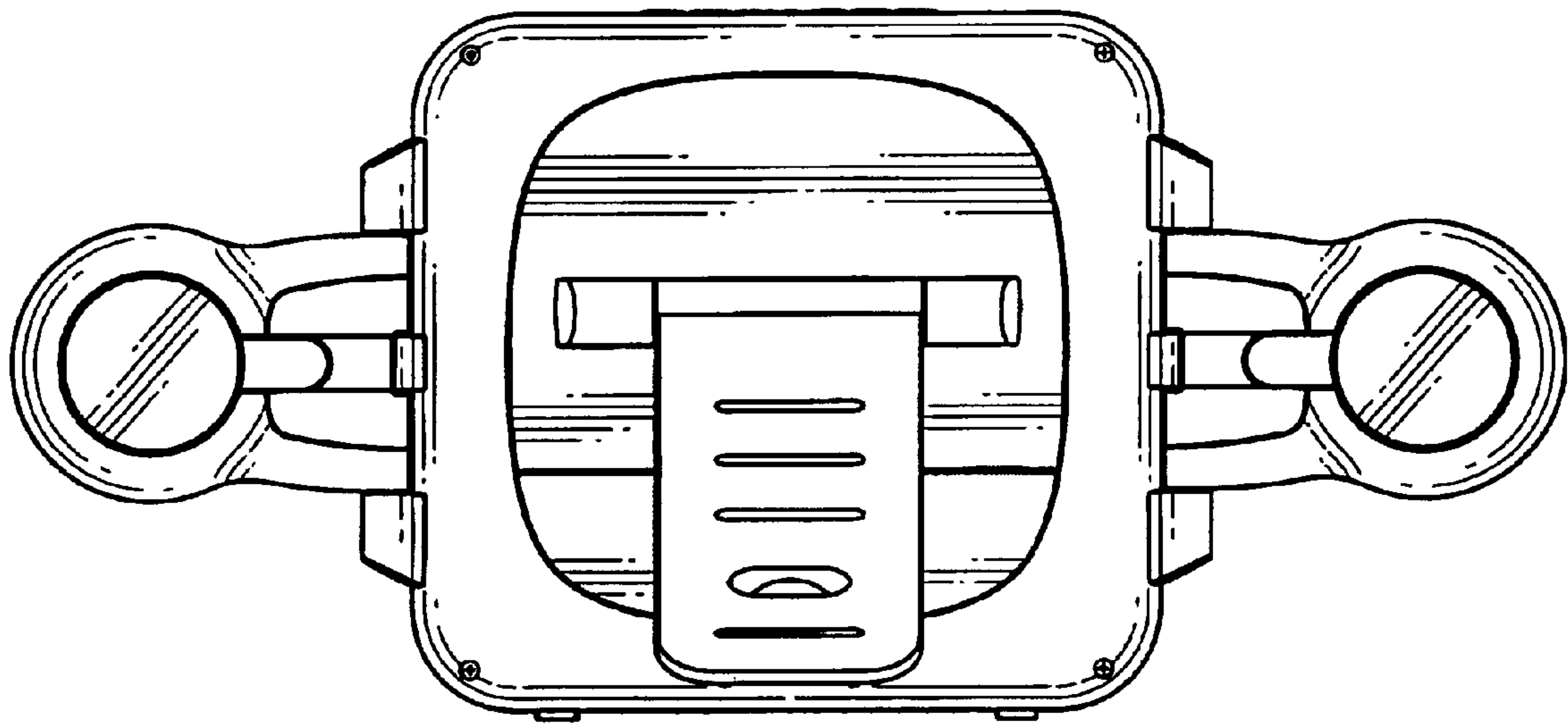


FIG. 3

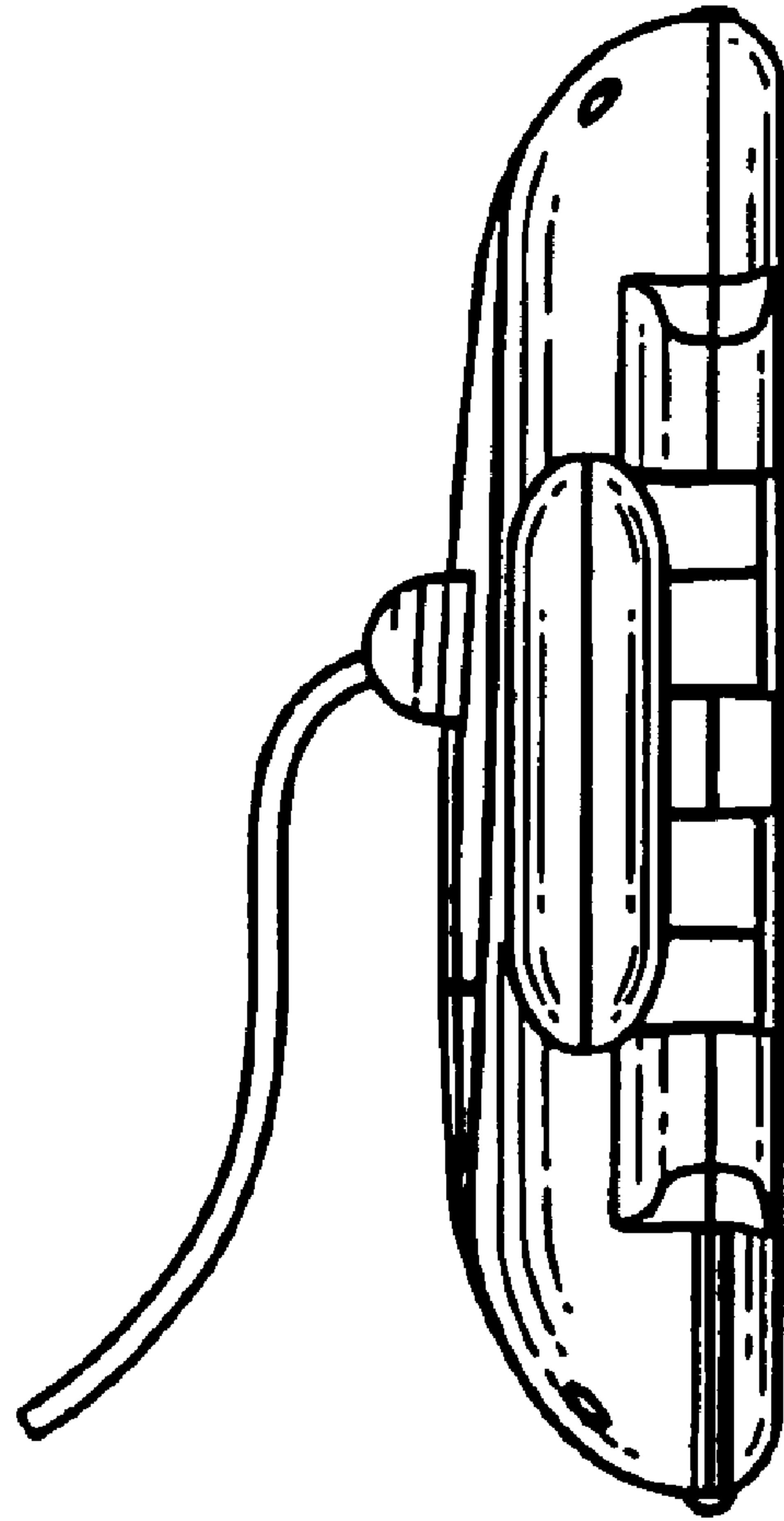


FIG. 4

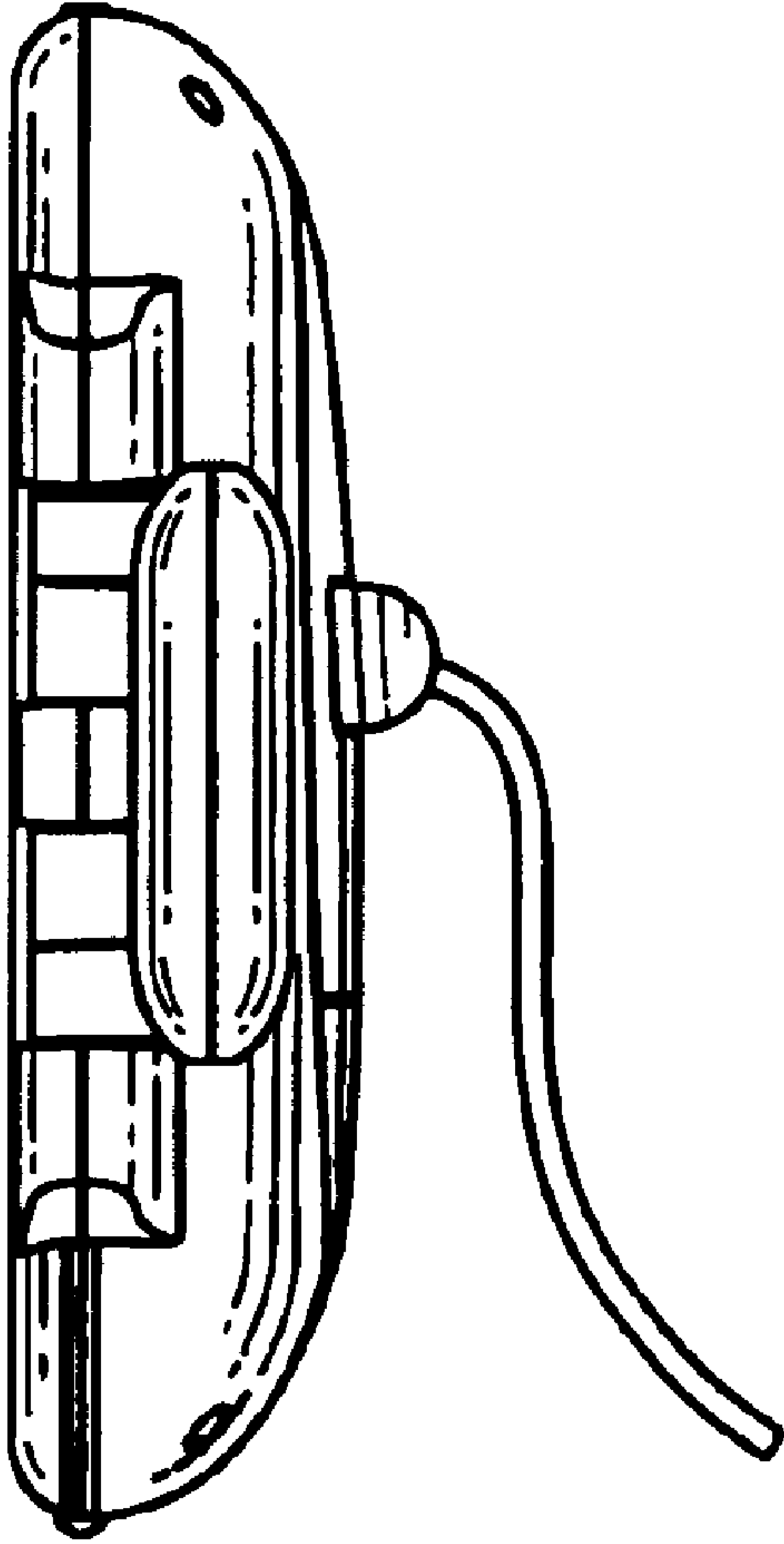


FIG. 5

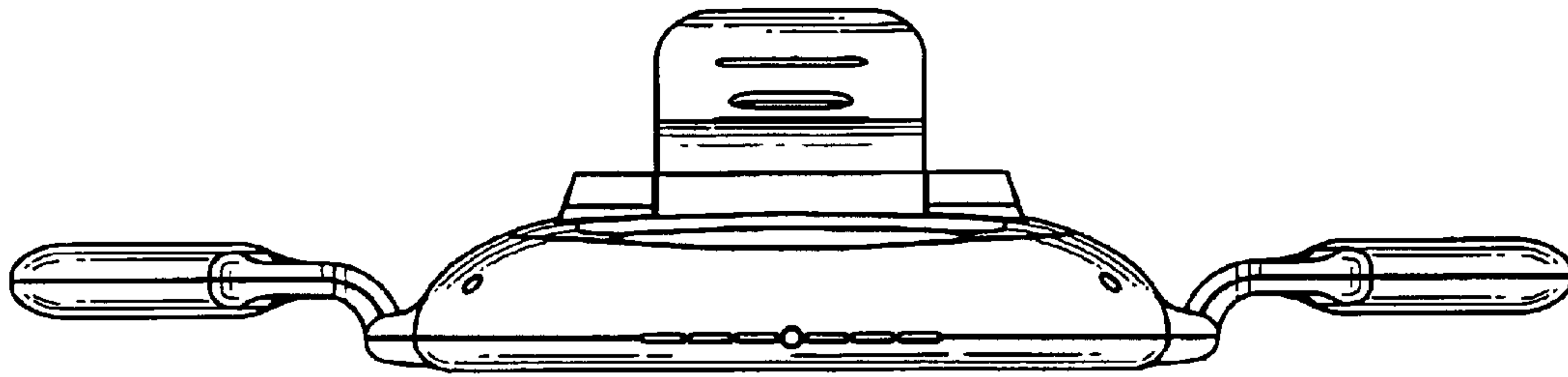


FIG. 6

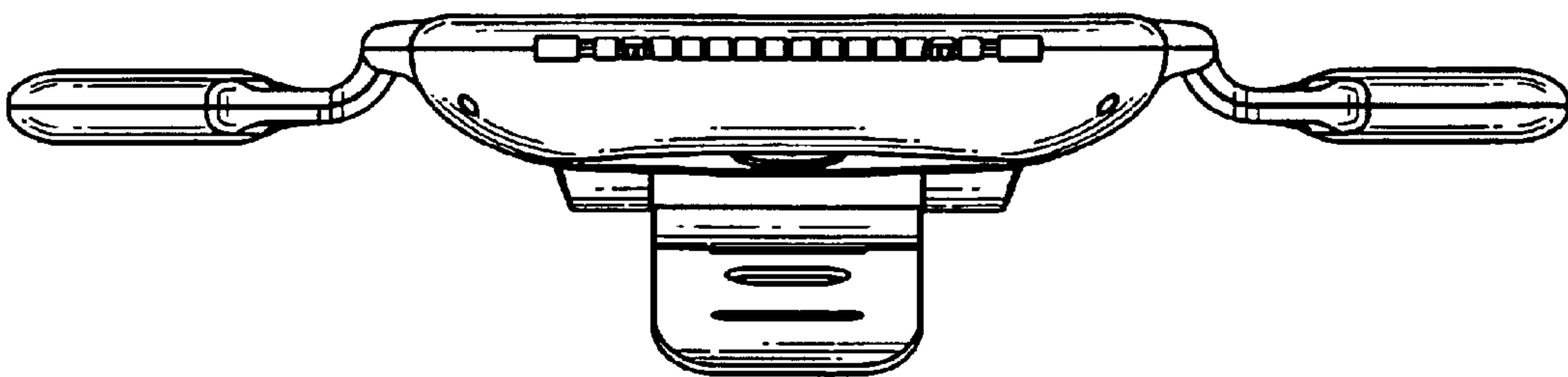


FIG. 7