



US00D496650S1

(12) **United States Design Patent**
Borsboom

(10) **Patent No.:** **US D496,650 S**
(45) **Date of Patent:** **** Sep. 28, 2004**

(54) **PAIR OF SPEAKERS**

(75) Inventor: **Antonious M. Borsboom**, Singapore
(SG)

(73) Assignee: **Hannspree, Inc.**, Taipei (TW)

(**) Term: **14 Years**

(21) Appl. No.: **29/198,978**

(22) Filed: **Feb. 6, 2004**

(30) **Foreign Application Priority Data**

Jan. 20, 2004 (TW) 93300356

(51) **LOC (7) Cl.** **14-01**

(52) **U.S. Cl.** **D14/207**

(58) **Field of Search** D14/204, 207,
D14/209-216, 356; D11/162; 181/143-144,
147-148, 150, 157, 198-199, 151, 153;
381/300-302, 306, 333, 345, 361-364,
386-388, 332, 336; D26/26, 98

(56) **References Cited**

U.S. PATENT DOCUMENTS

D80,126 S * 12/1929 Kornblum D26/98
D302,535 S * 8/1989 Ernest D11/162
D397,339 S * 8/1998 Davis D14/189

D474,851 S * 5/2003 Yu D26/26

* cited by examiner

Primary Examiner—Nanda Bondade

(74) *Attorney, Agent, or Firm*—Thomas, Kayden,
Horstemeyer & Risley

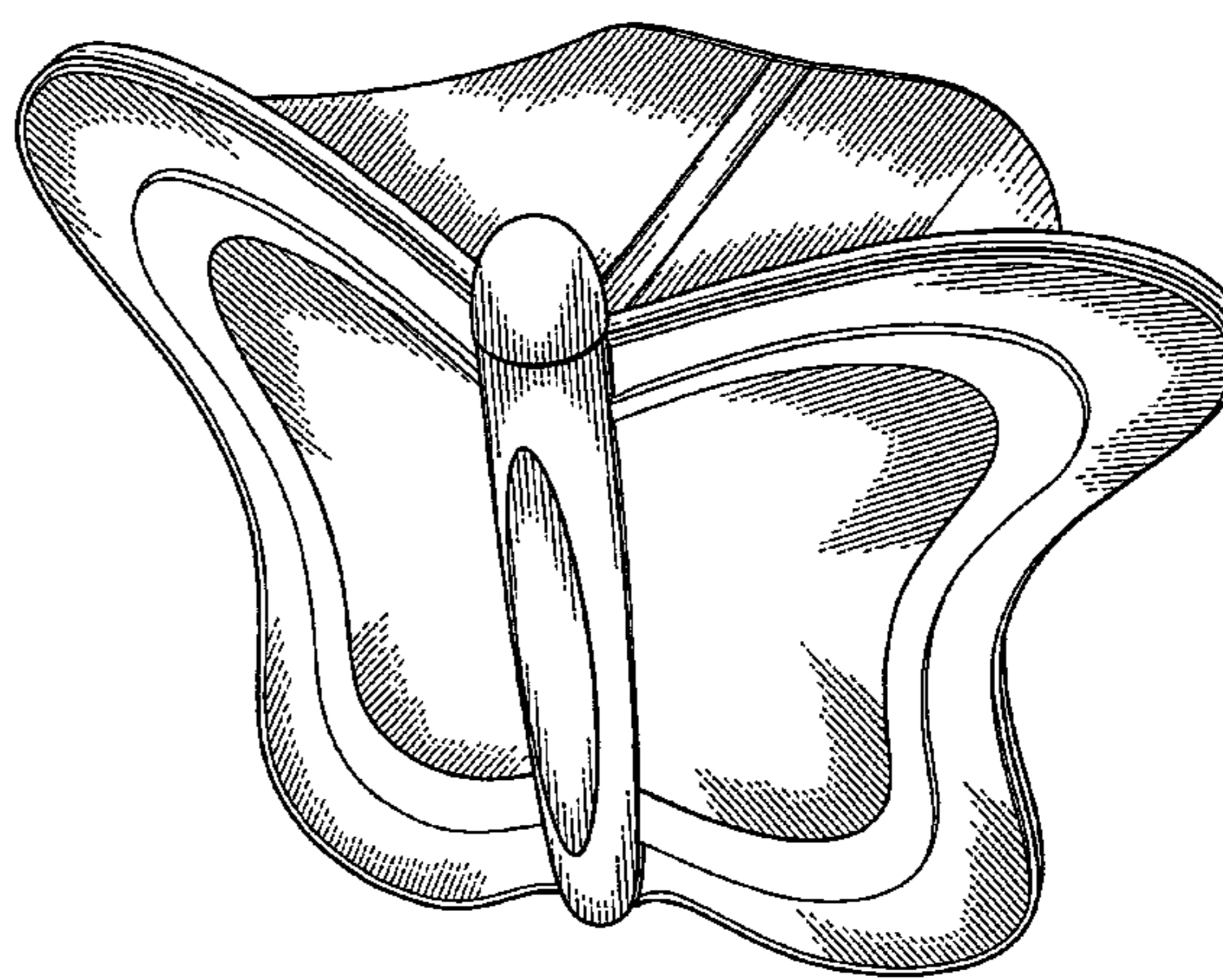
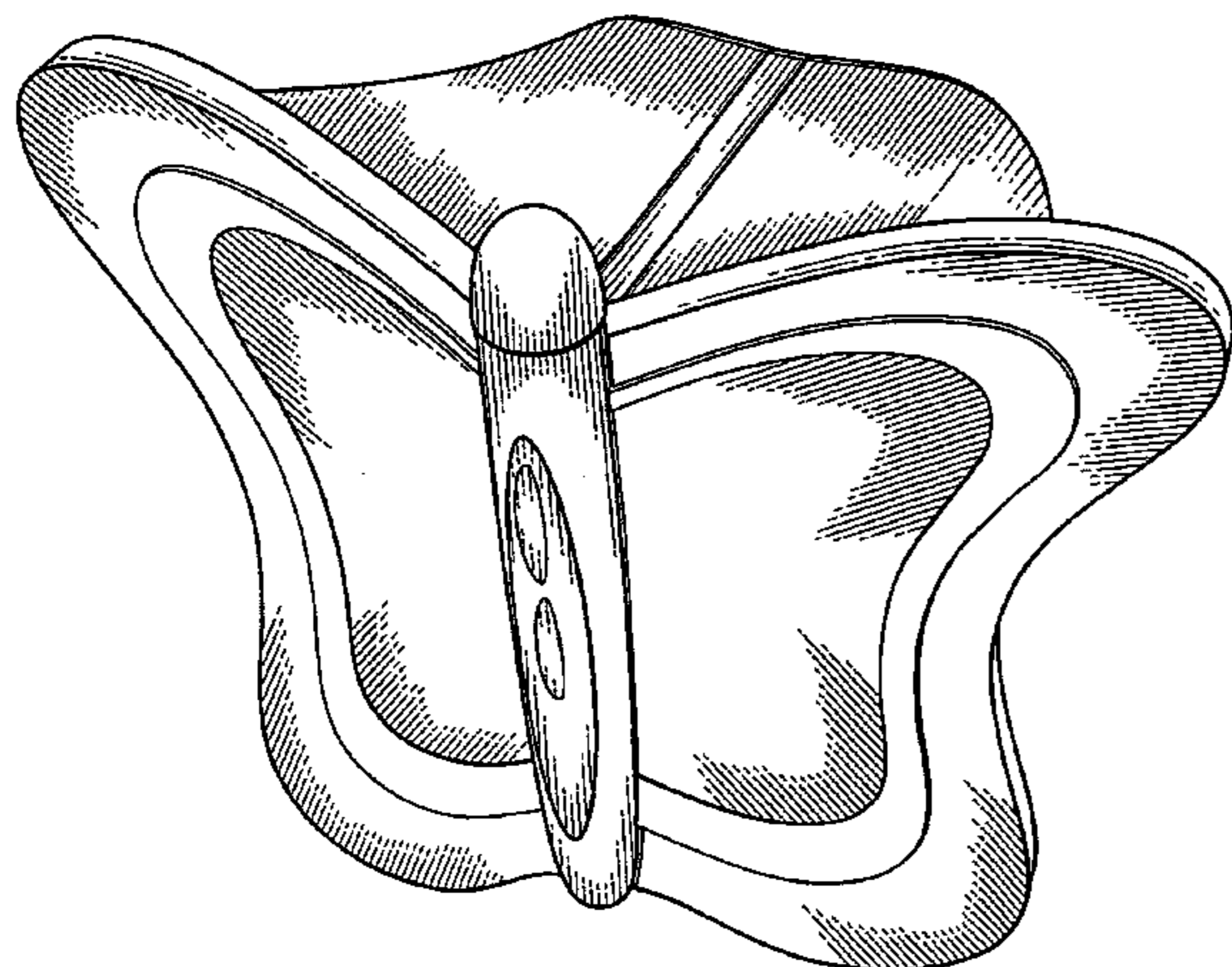
(57) **CLAIM**

The ornamental design for a pair of speakers, as shown and described.

DESCRIPTION

FIG. 1 is a front perspective view of the first speaker of the pair of speakers according to the present invention; FIG. 2 is a front elevational view thereof; FIG. 3 is a rear elevational view thereof; FIG. 4 is a left side elevational view thereof; FIG. 5 is a right side elevational view thereof; FIG. 6 is a top plan view thereof; FIG. 7 is a bottom plan view thereof; FIG. 8 is a front perspective view of the second speaker of the pair of speakers of FIG. 1; FIG. 9 is a front elevational view thereof; FIG. 10 is a rear elevational view thereof; FIG. 11 is a left side elevational view thereof; FIG. 12 is a right side elevational view thereof; FIG. 13 is a top plan view thereof; and, FIG. 14 is a bottom plan view thereof.

1 Claim, 14 Drawing Sheets



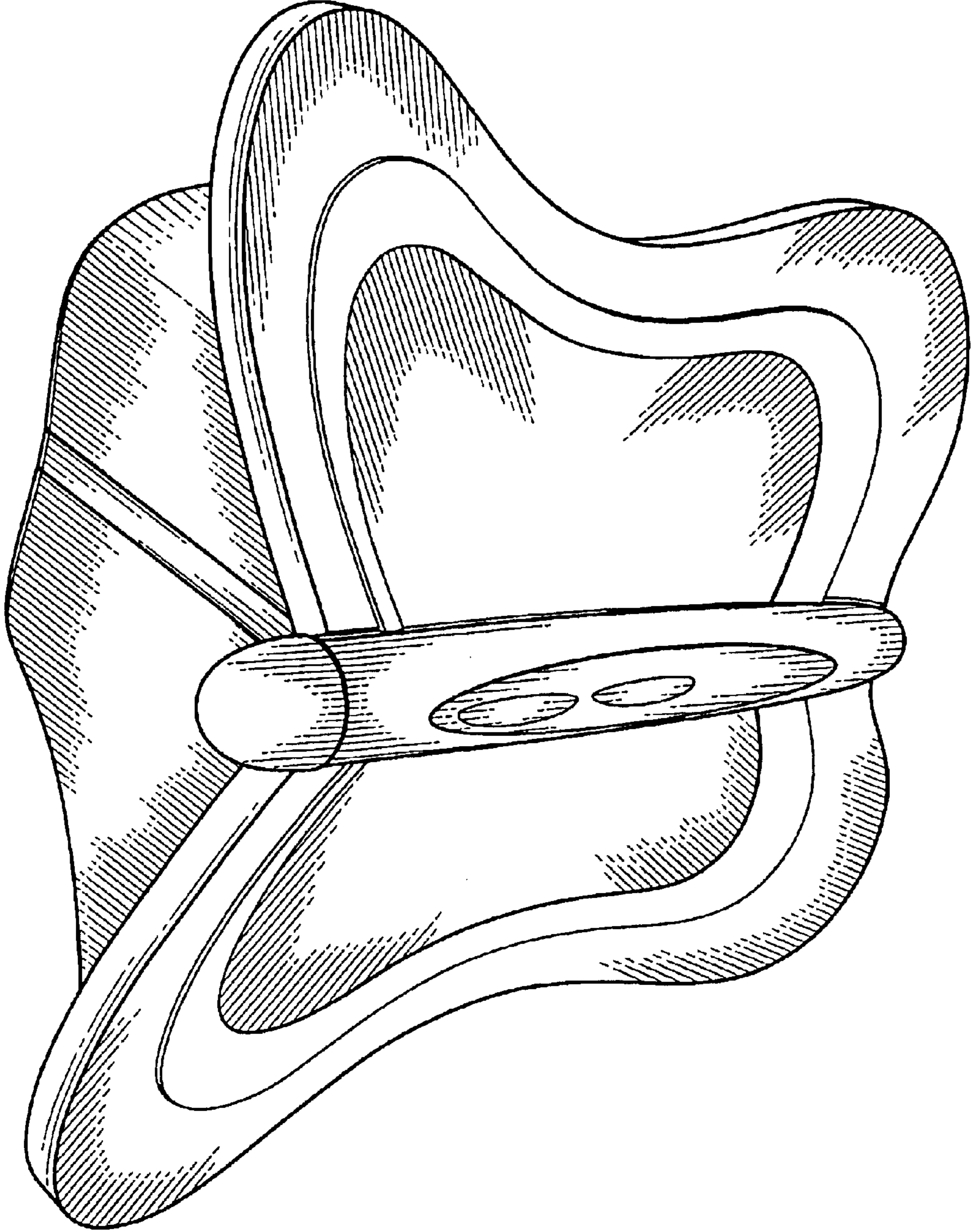


FIG. 1

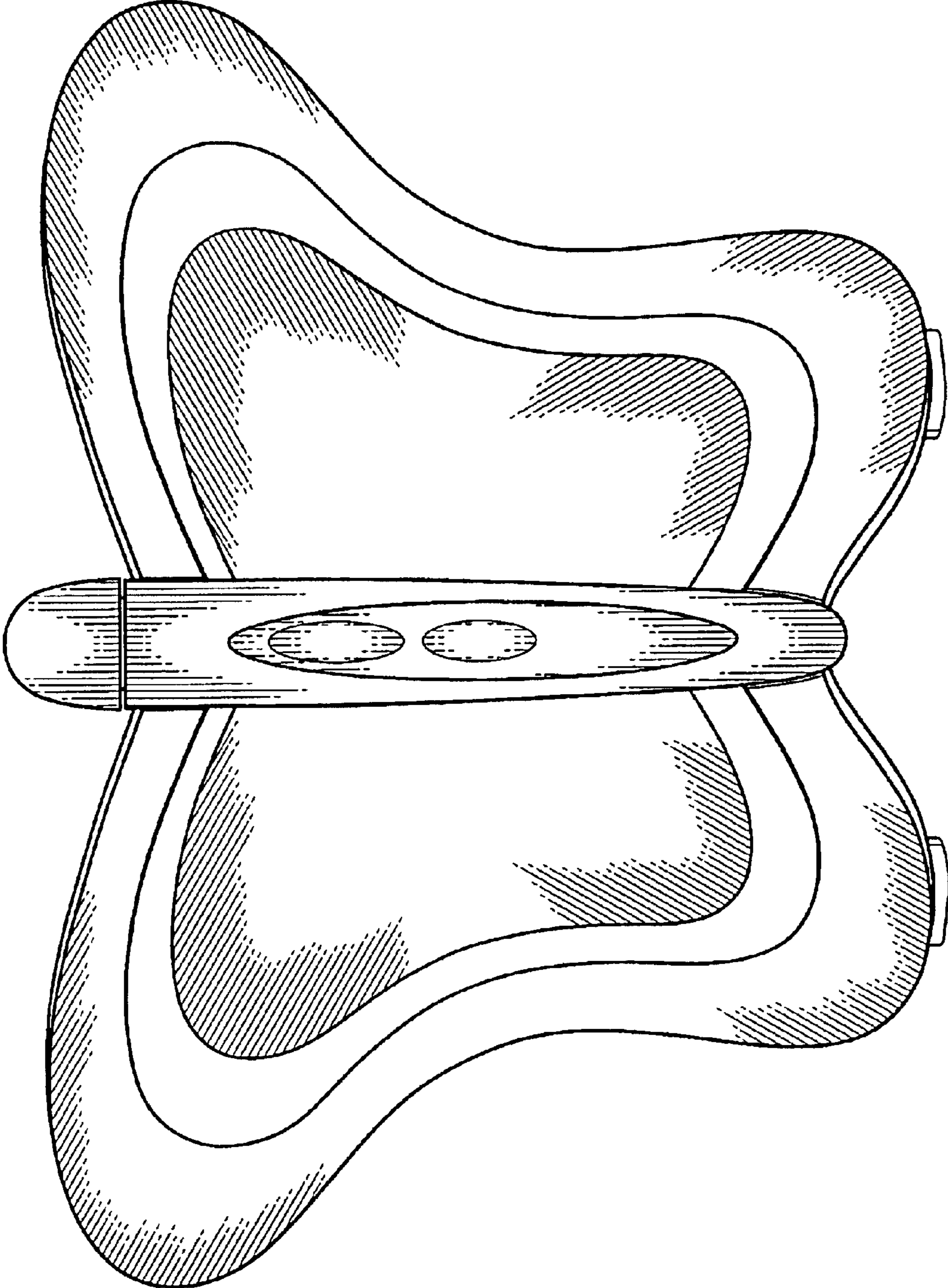


FIG. 2

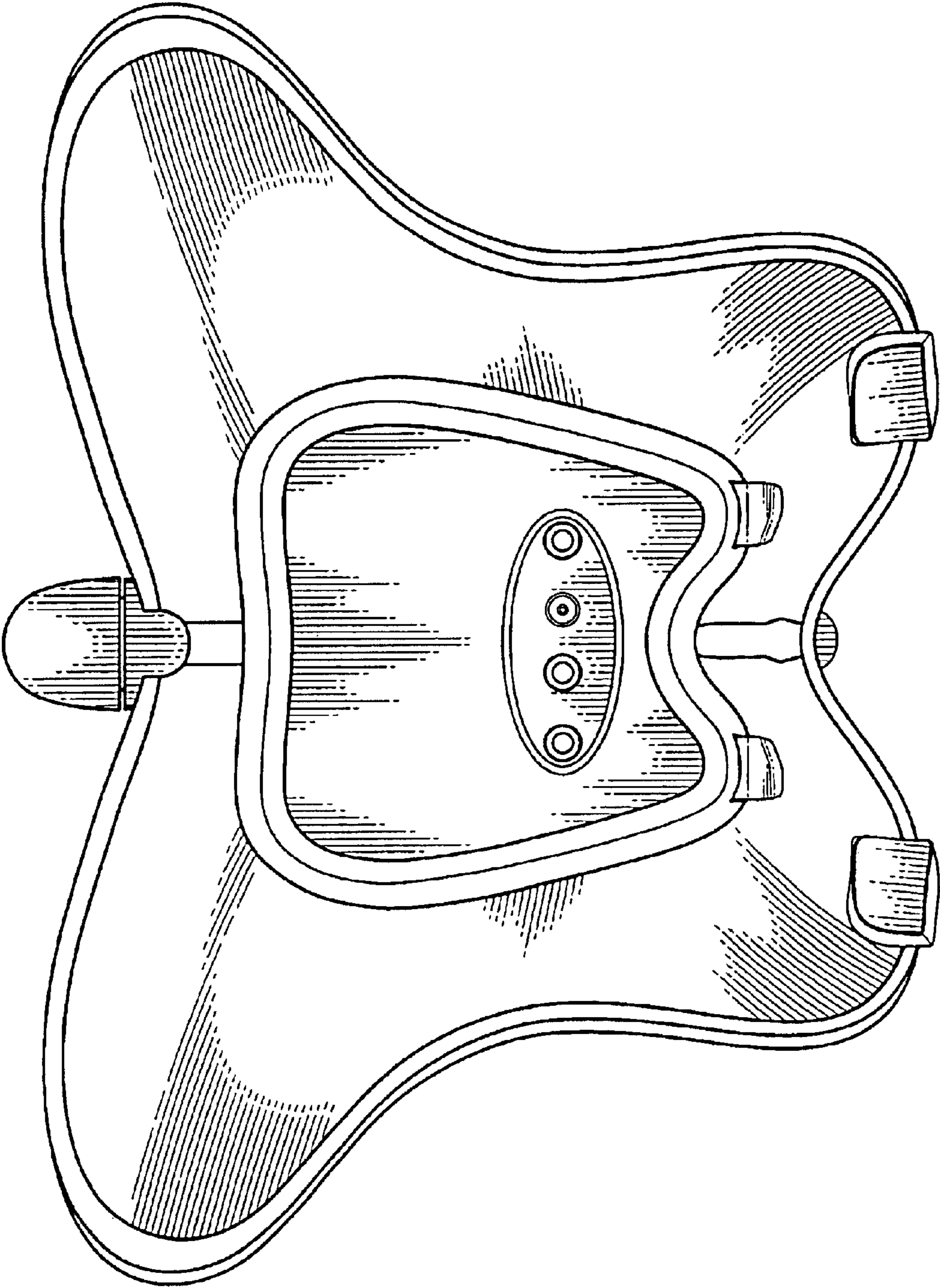


FIG. 3

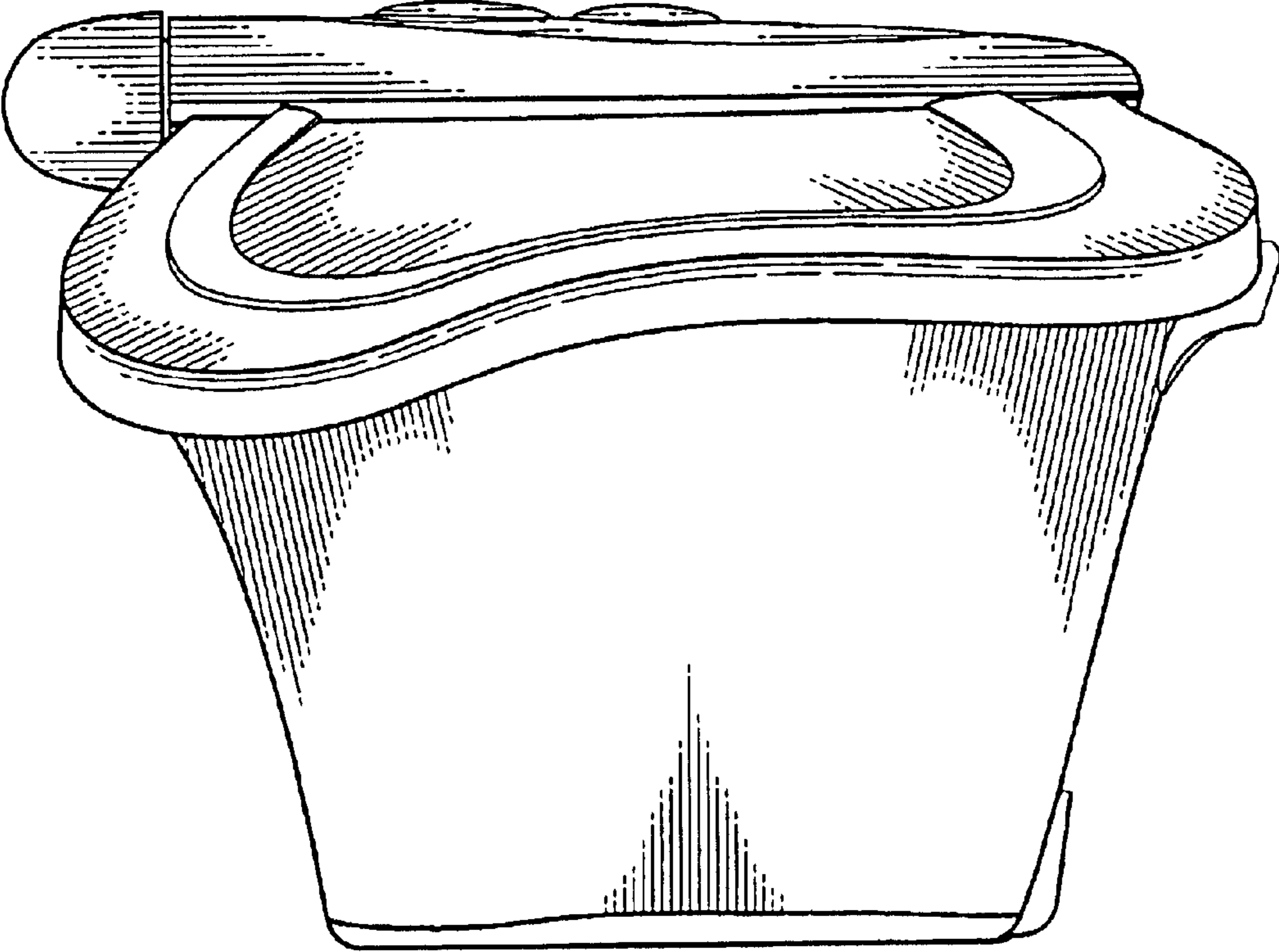


FIG. 4

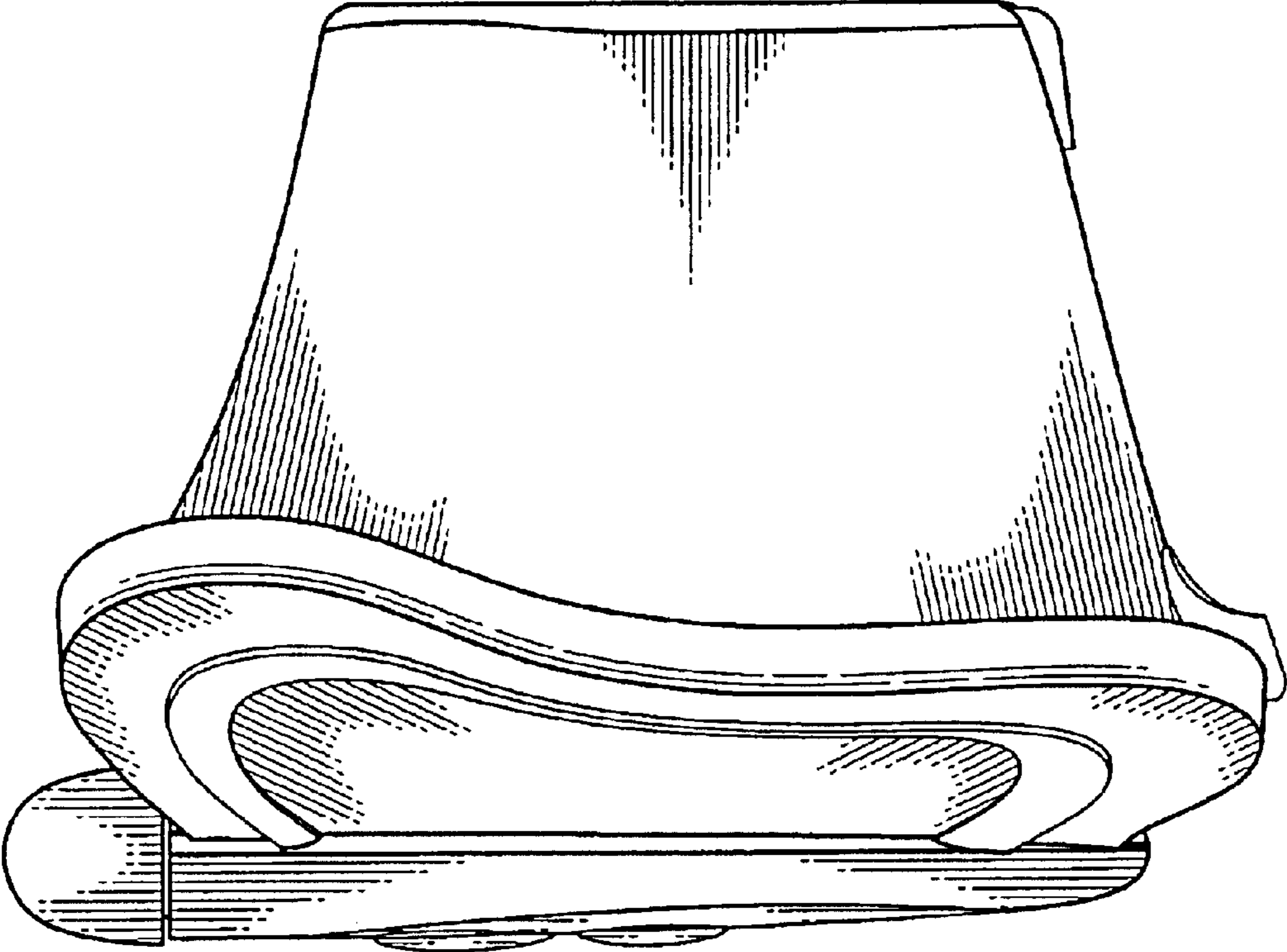


FIG. 5

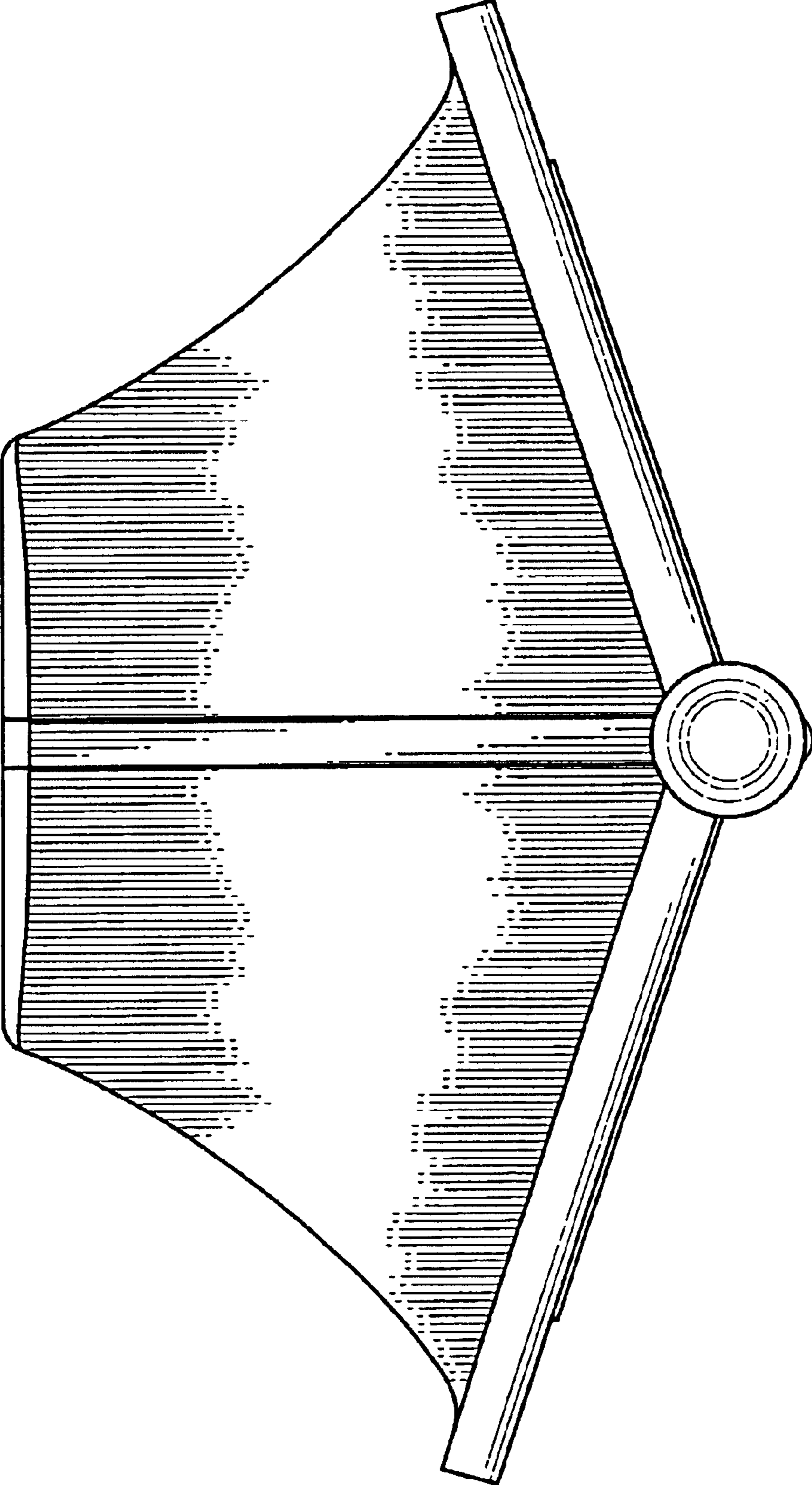


FIG. 6

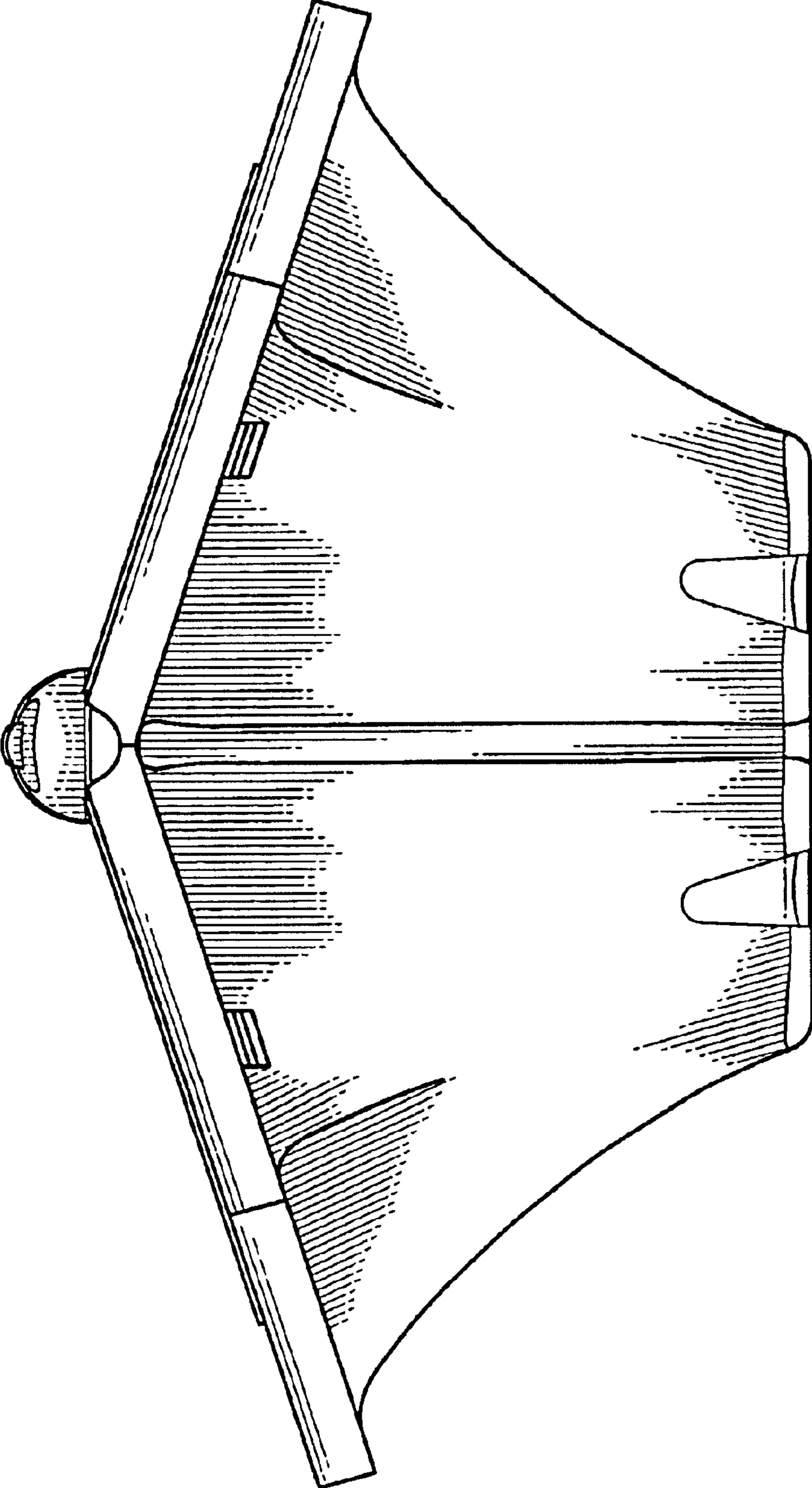


FIG. 7

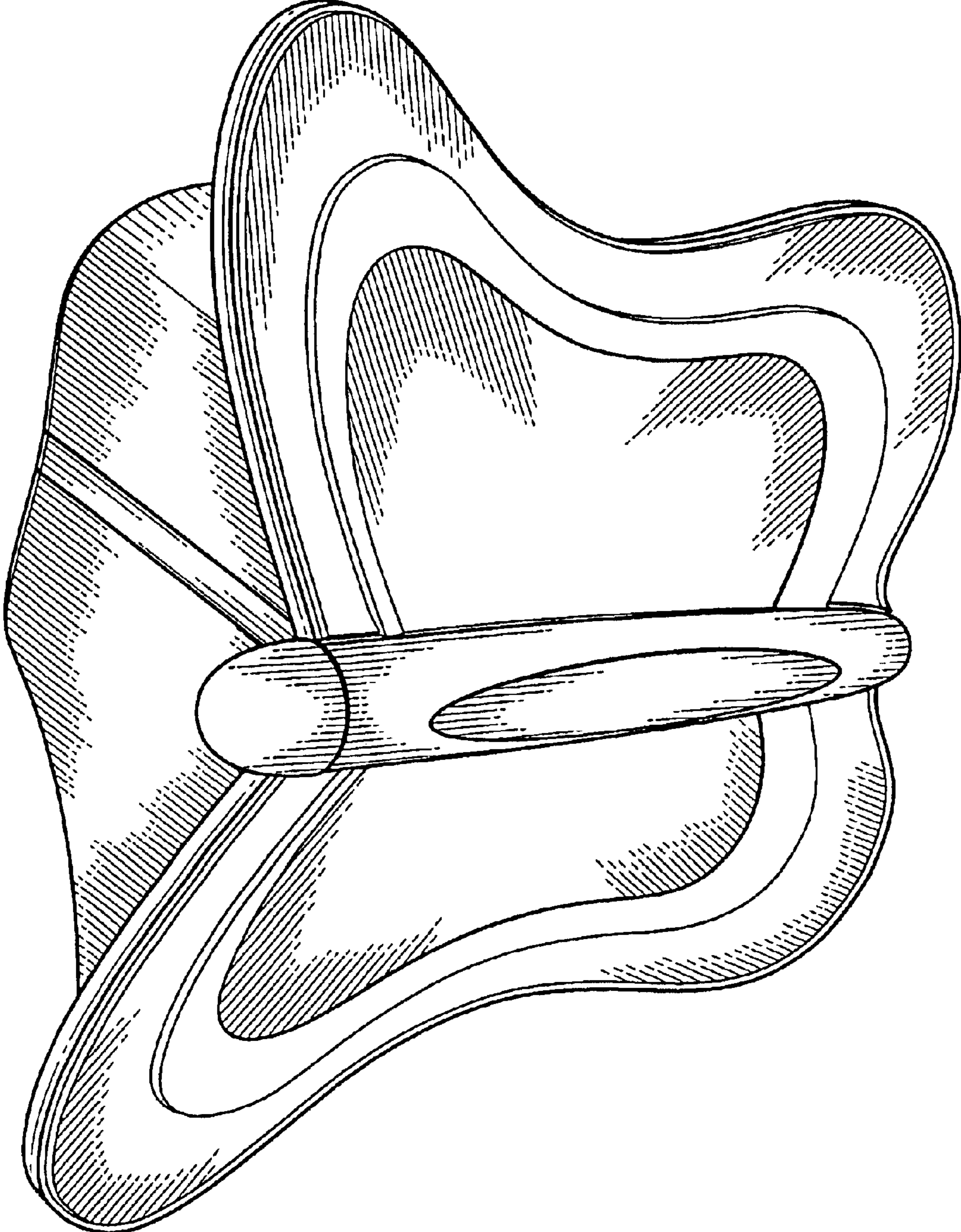


FIG. 8

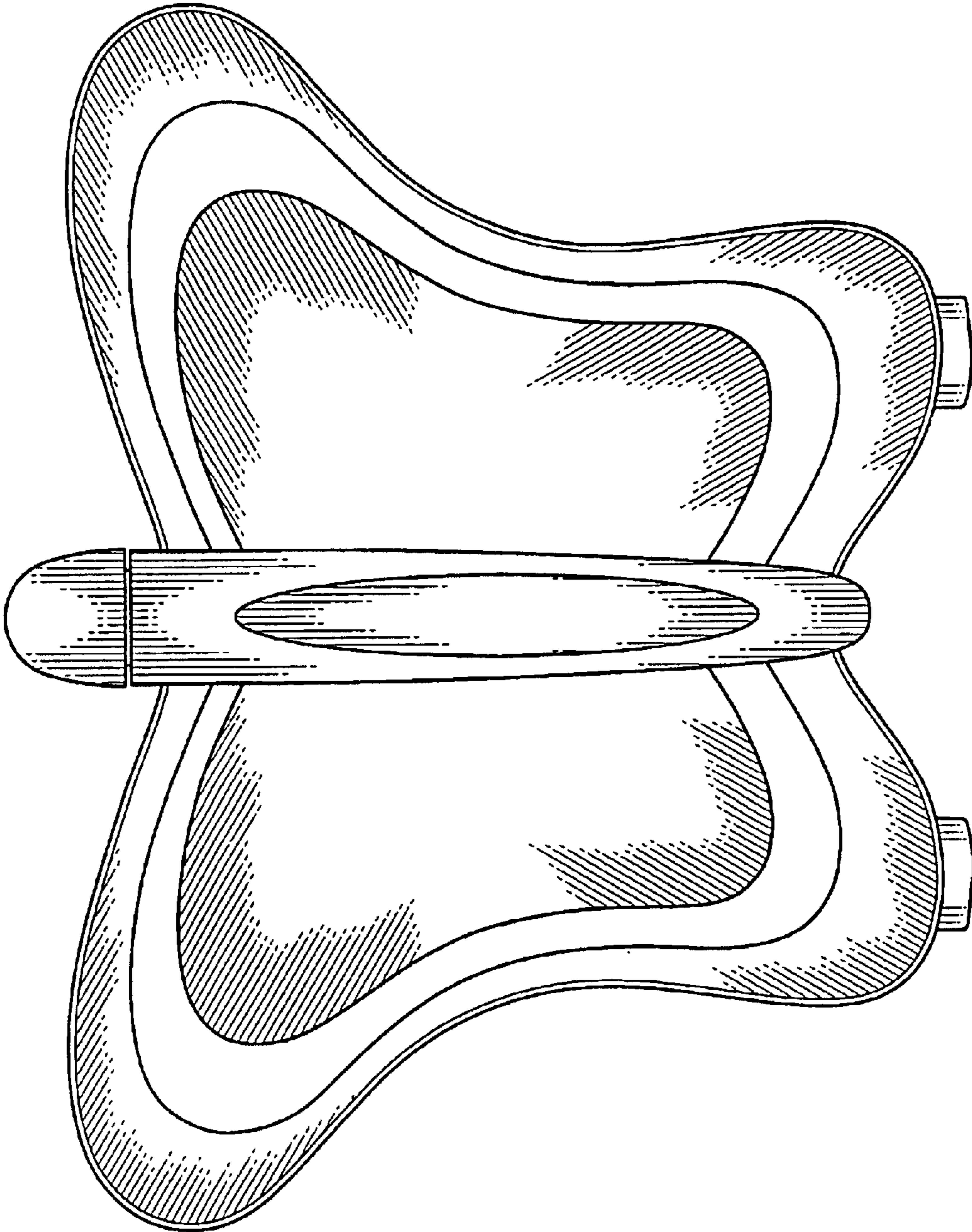


FIG. 9

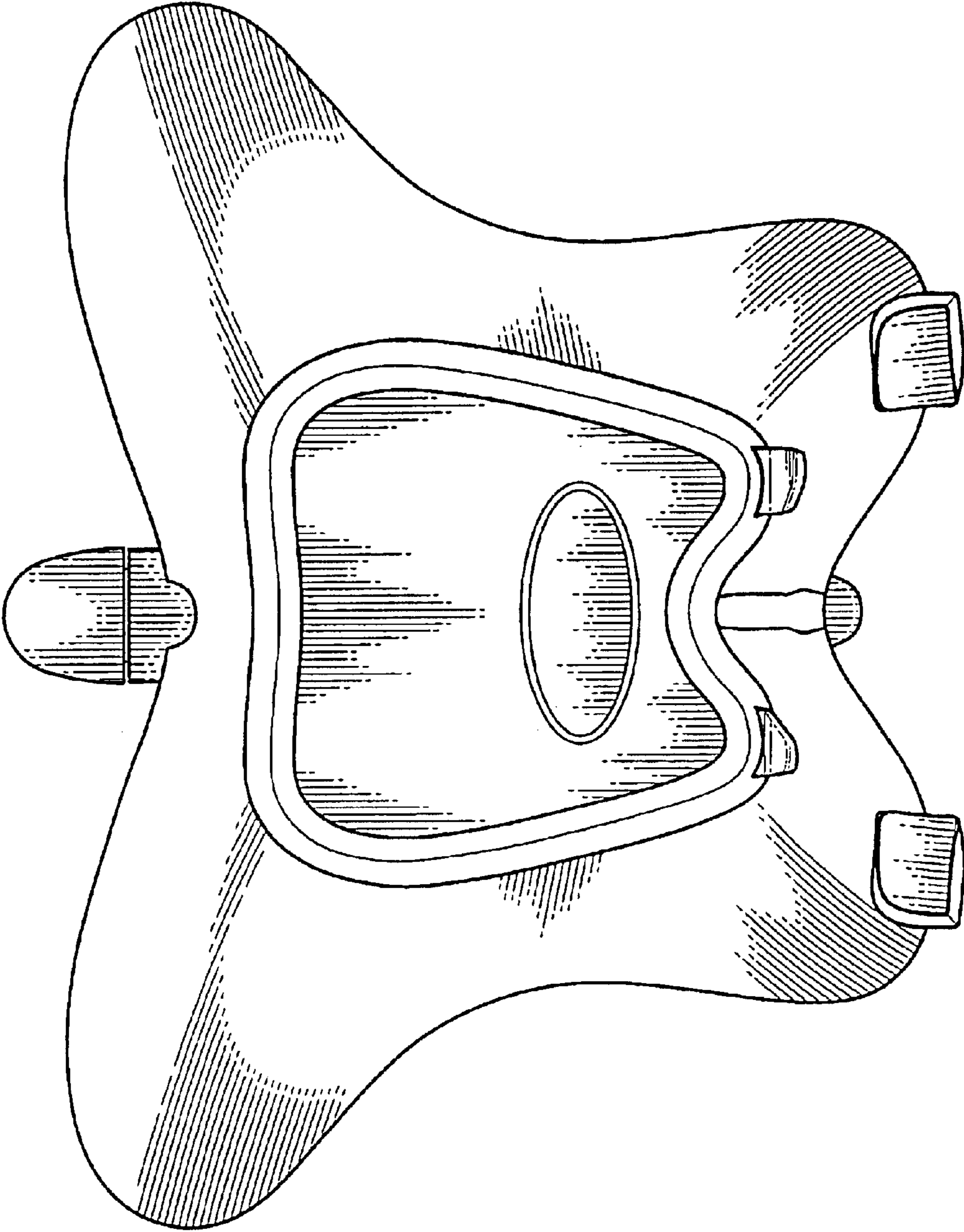


FIG. 10

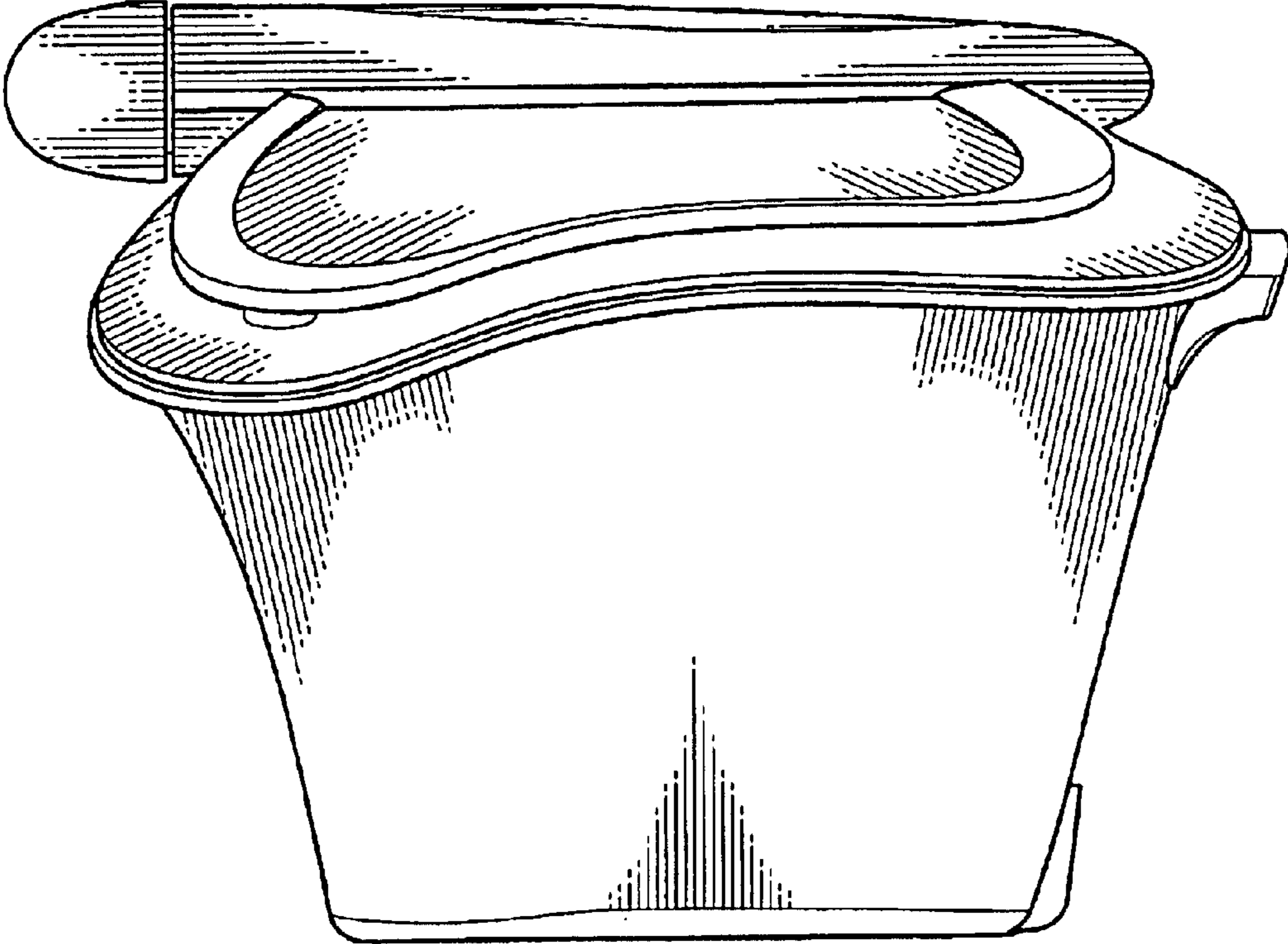


FIG. 11

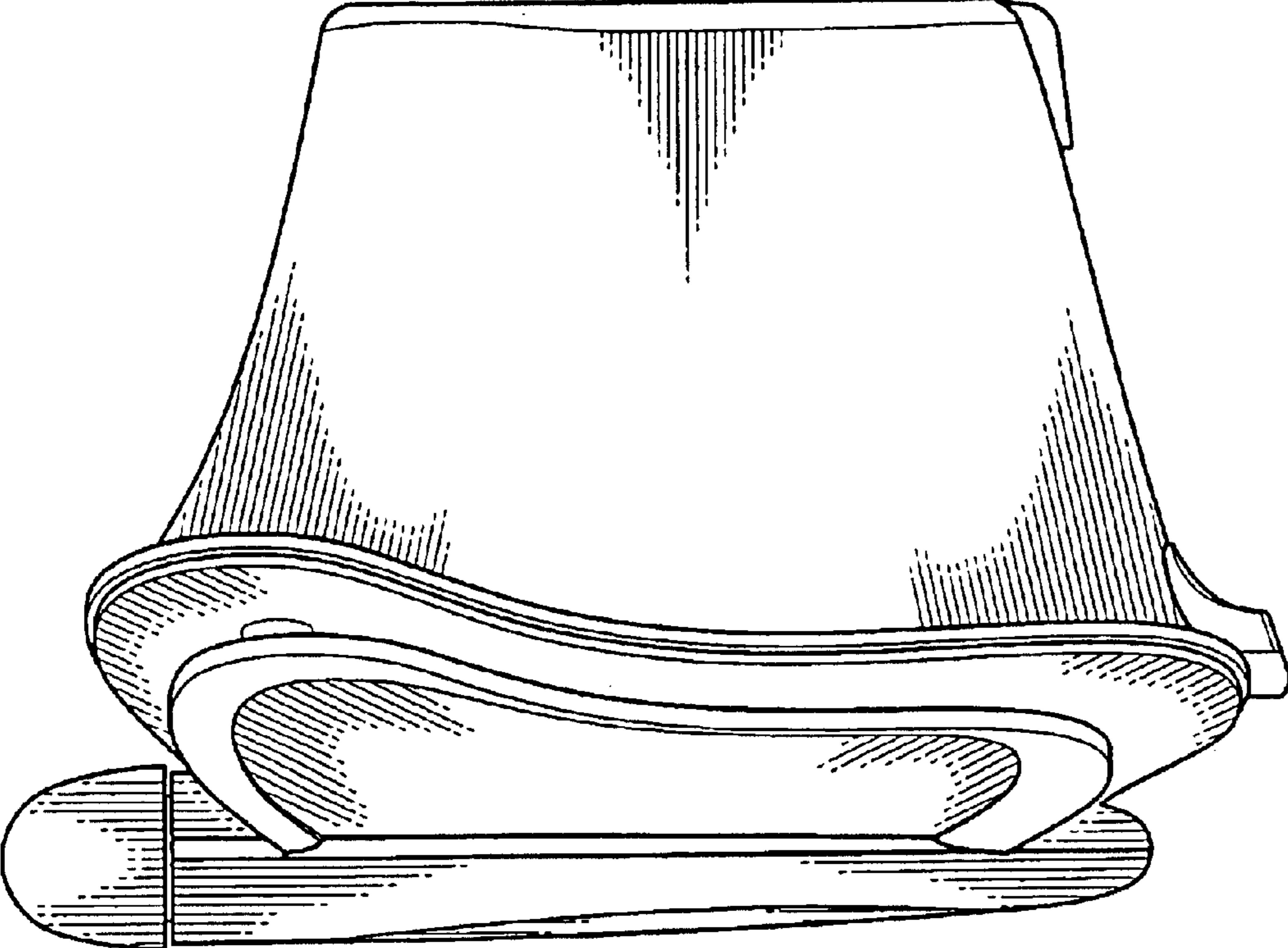


FIG. 12

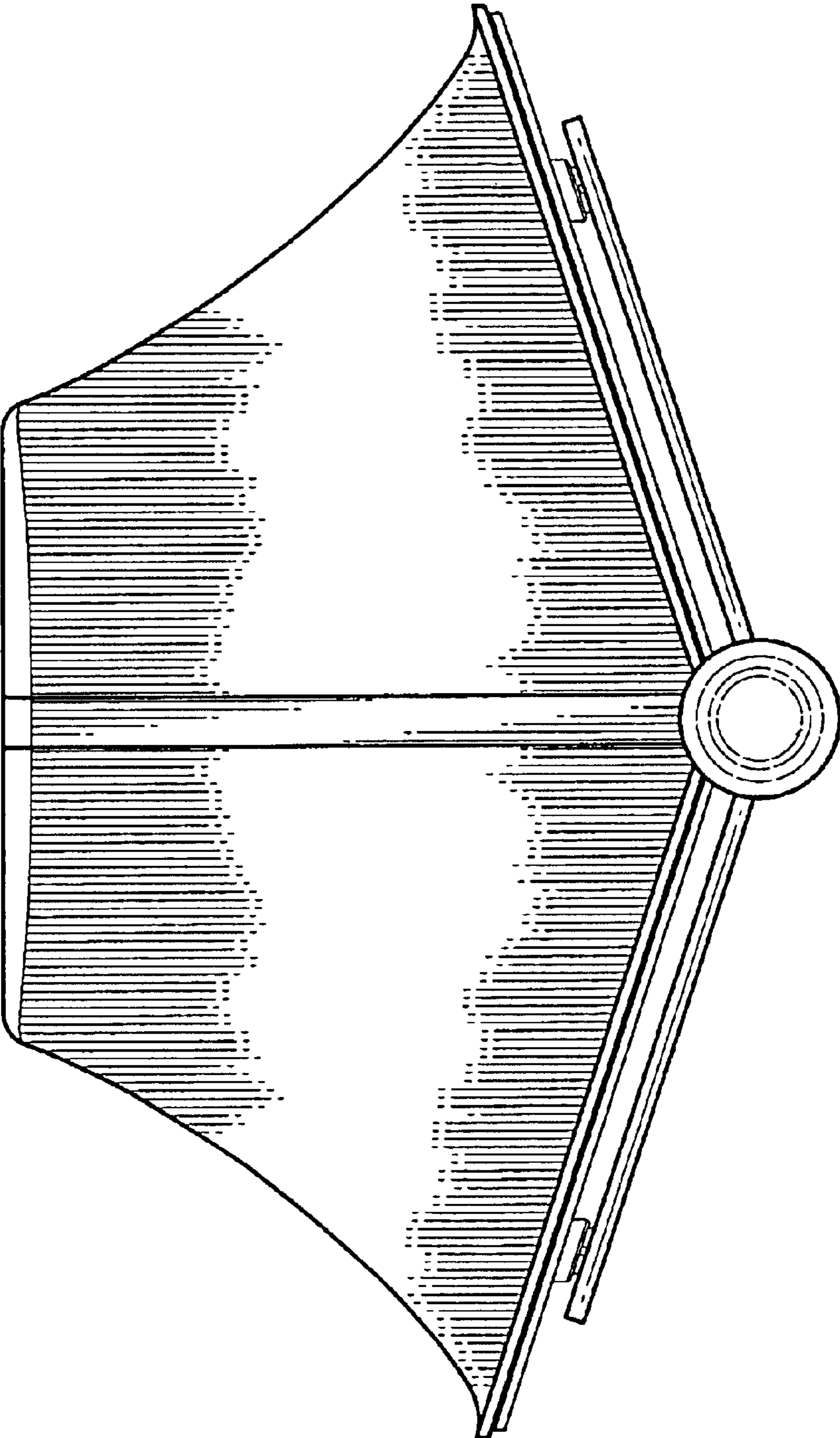


FIG. 13

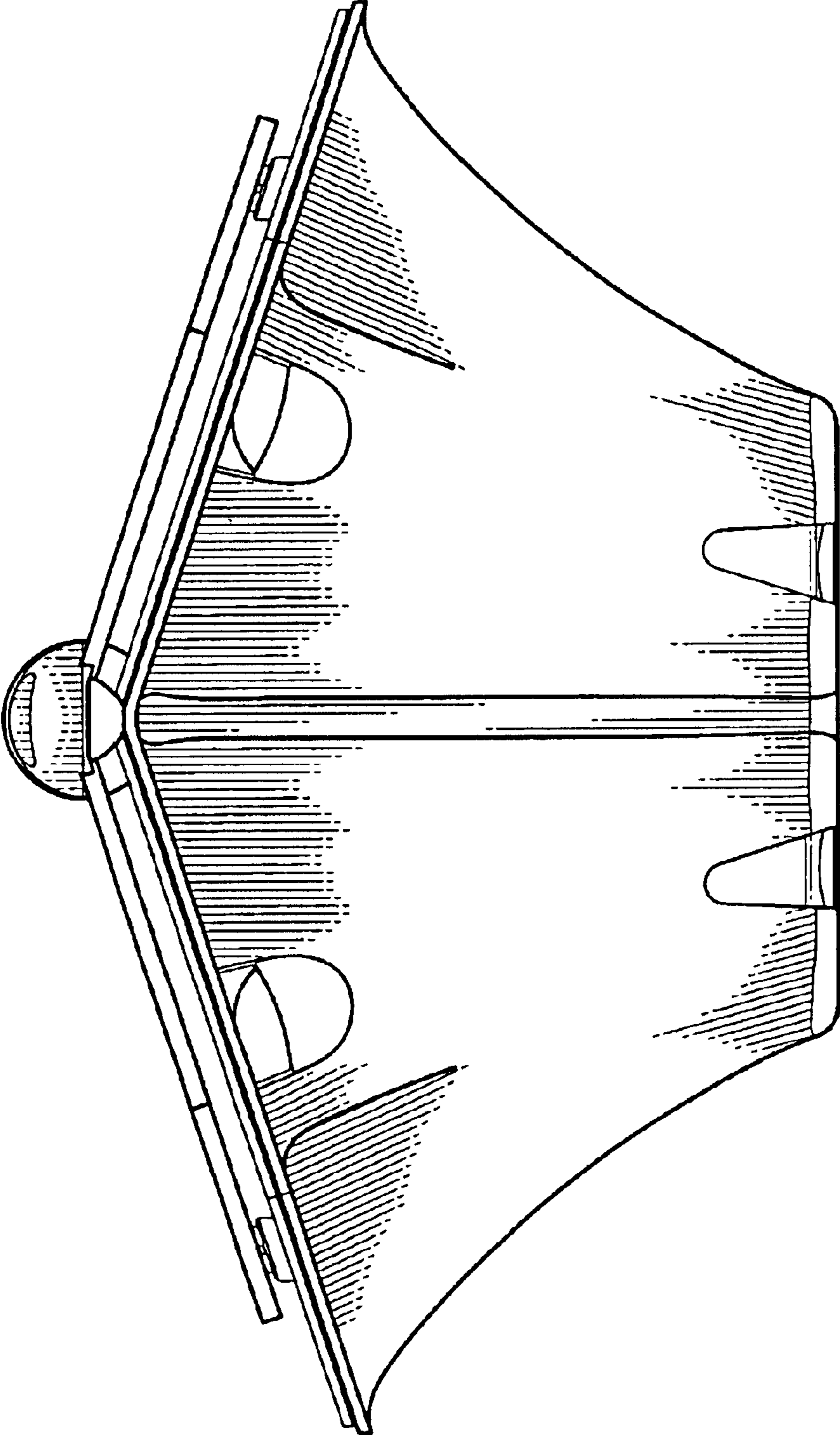


FIG. 14