

US00D496647S1

(12) **United States Design Patent**
Sogabe

(10) **Patent No.:** **US D496,647 S**
(45) **Date of Patent:** **** Sep. 28, 2004**

(54) **COMBINED DISC PLAYER AND RADIO RECEIVER**

D480,701 S 10/2003 Sogabe
D481,373 S 10/2003 Sogabe

(75) Inventor: **Takashi Sogabe**, Tokyo (JP)

(73) Assignee: **Sony Corporation**, Tokyo (JP)

(**) Term: **14 Years**

(21) Appl. No.: **29/198,193**

(22) Filed: **Jan. 28, 2004**

(51) **LOC (7) Cl.** **14-01**

(52) **U.S. Cl.** **D14/168**

(58) **Field of Search** D14/135-136,
D14/160-168, 188, 197-198, 156-157,
257, 258; 455/100, 344, 346-351, 321;
369/75.1, 75.2, 77.2

(56) **References Cited**

U.S. PATENT DOCUMENTS

D351,167 S	*	10/1994	Yun	D14/258
D400,529 S	*	11/1998	Kakizaki	D14/157
5,848,042 A	*	12/1998	Takahashi et al.	369/75.1
5,852,594 A	*	12/1998	Kaise et al.	369/75.1
5,862,468 A	*	1/1999	Kim	455/321
D444,136 S		6/2001	Sogabe		
D450,317 S		11/2001	Uehara		

OTHER PUBLICATIONS

Web page "CDX-L410", 1 sheet, Sony (2003).
Web page "MEX-5DI" 1 sheet, Sony (Nov. 2003).
Web page "CDX-MP40" 1 sheet, Sony (Nov. 2003).

* cited by examiner

Primary Examiner—Nanda Bondade

(74) *Attorney, Agent, or Firm*—Rader, Fishman & Grauer PLLC

(57) **CLAIM**

The ornamental design for a combined disc player and radio receiver, as shown.

DESCRIPTION

FIG. 1 is a perspective view of a combined disc player and radio receiver showing my new design; FIG. 2 is a front elevational view thereof; FIG. 3 is a rear elevational view thereof; FIG. 4 is a left side elevational view thereof; FIG. 5 is a right side elevational view thereof; FIG. 6 is a top plan view thereof; and, FIG. 7 is a bottom plan view thereof.

1 Claim, 4 Drawing Sheets

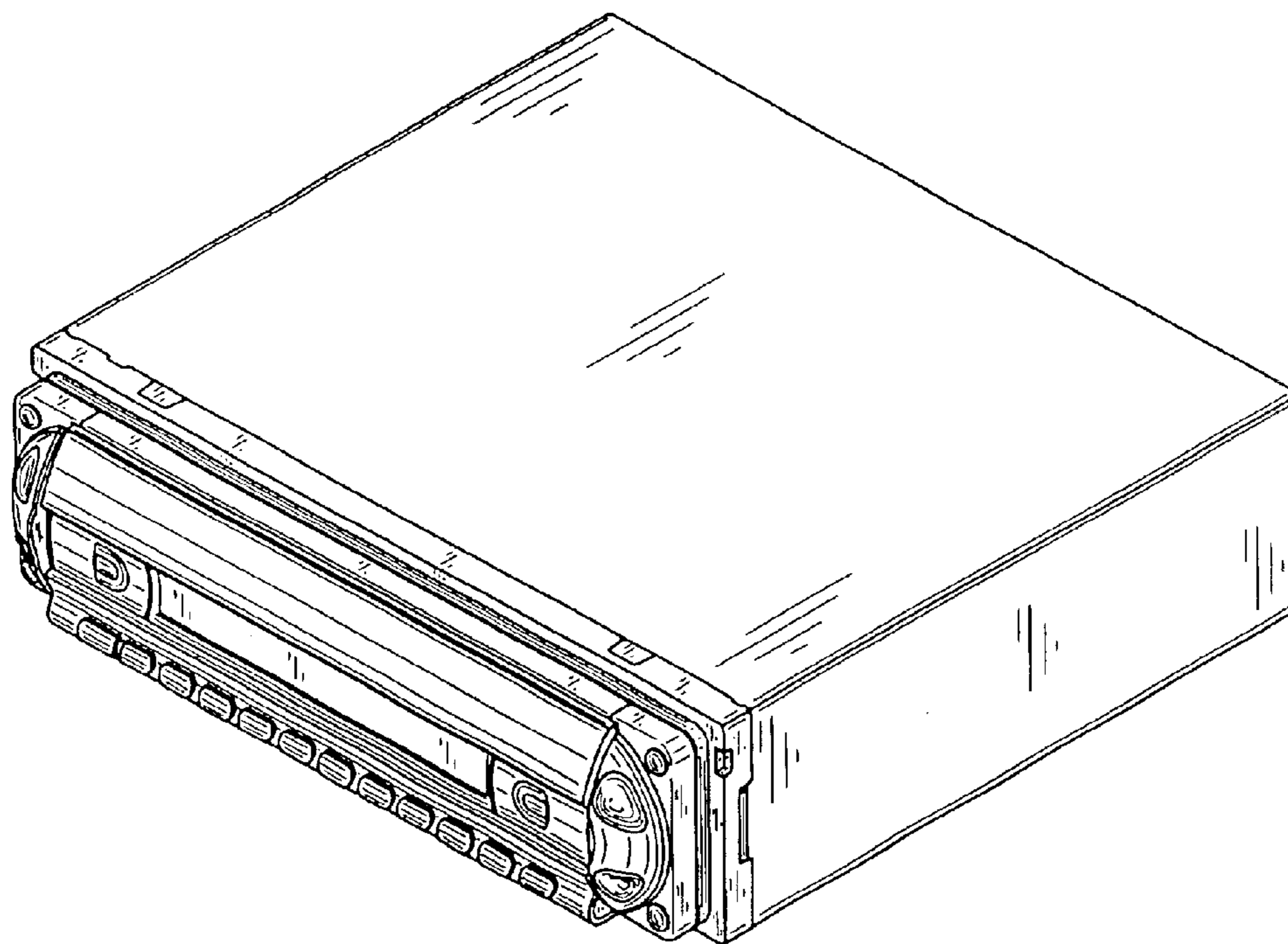


Fig. 1

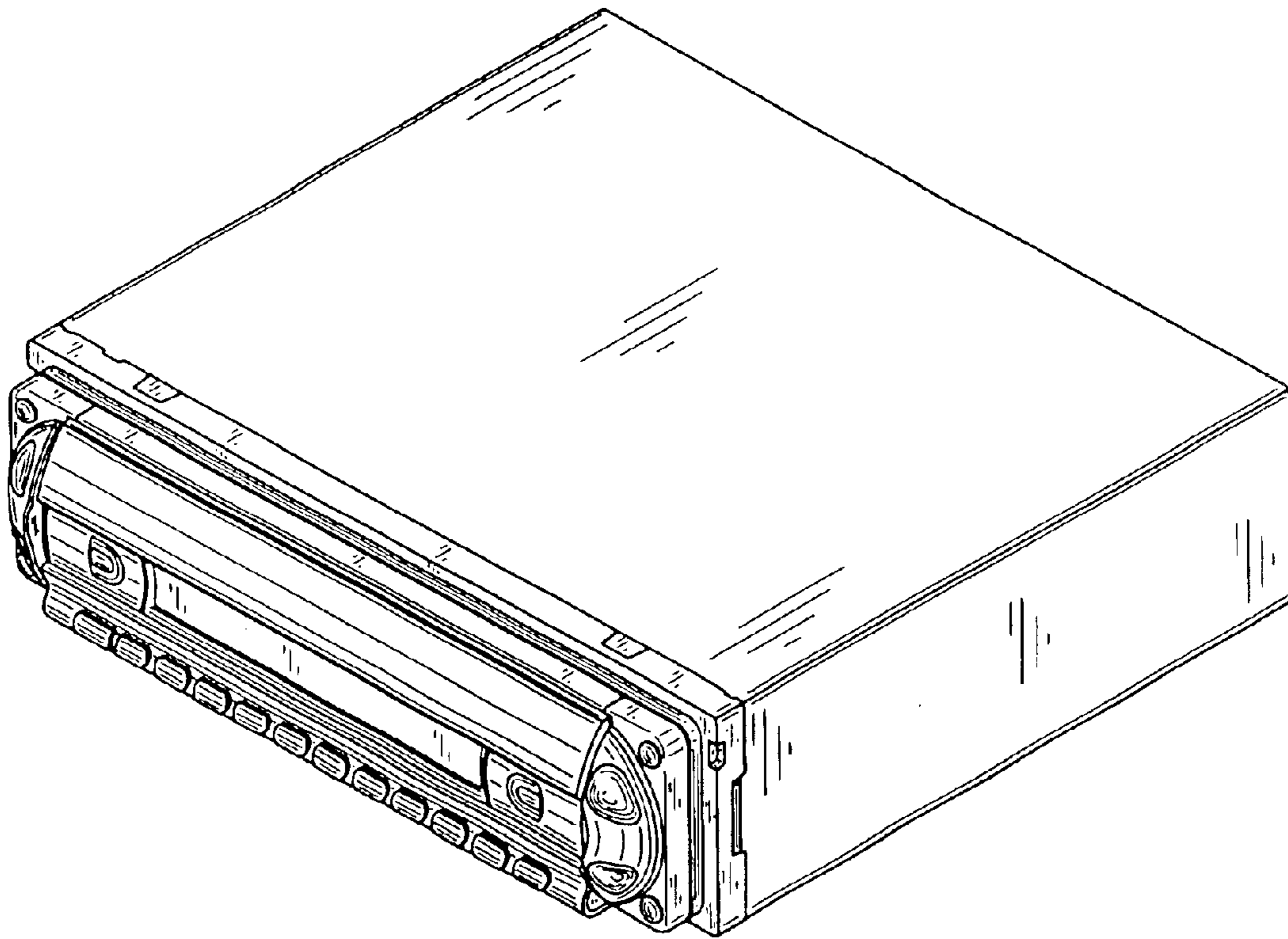


Fig.2

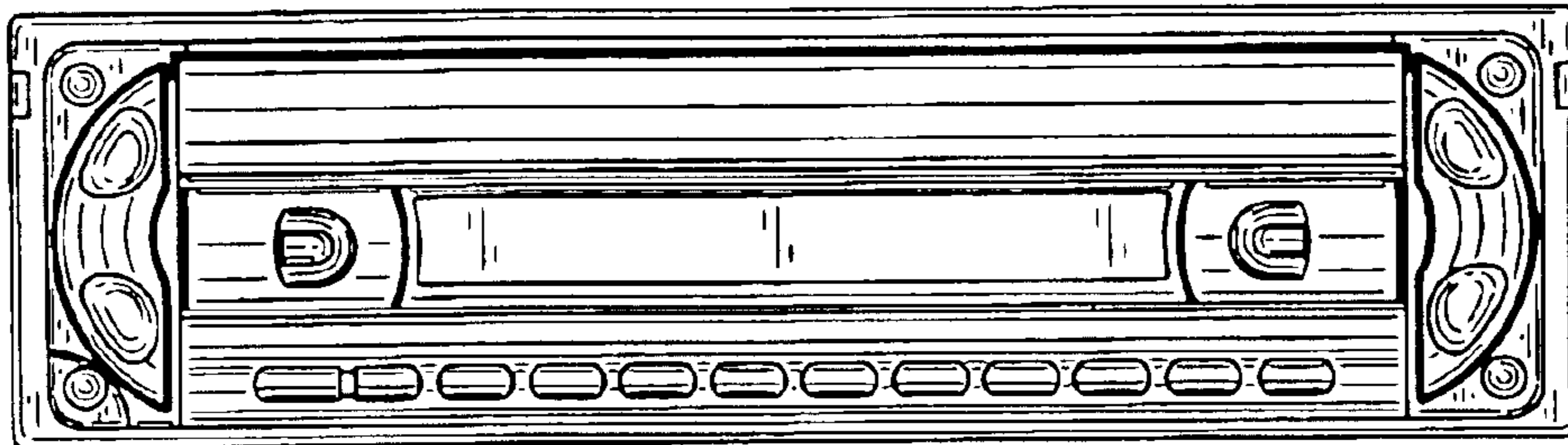


Fig.3

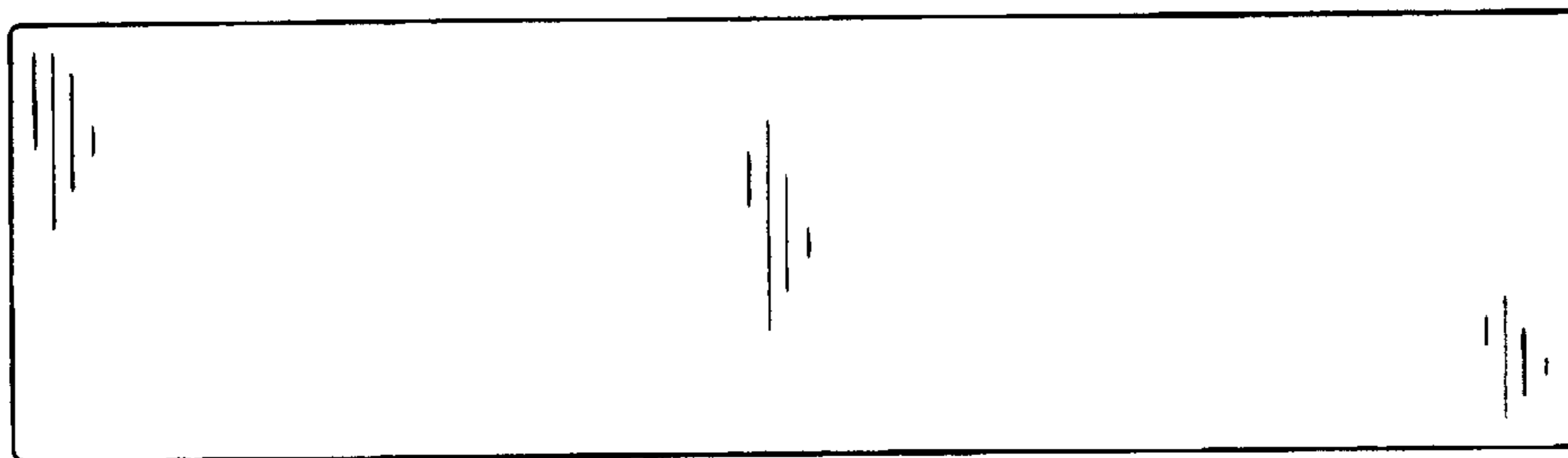


Fig.4

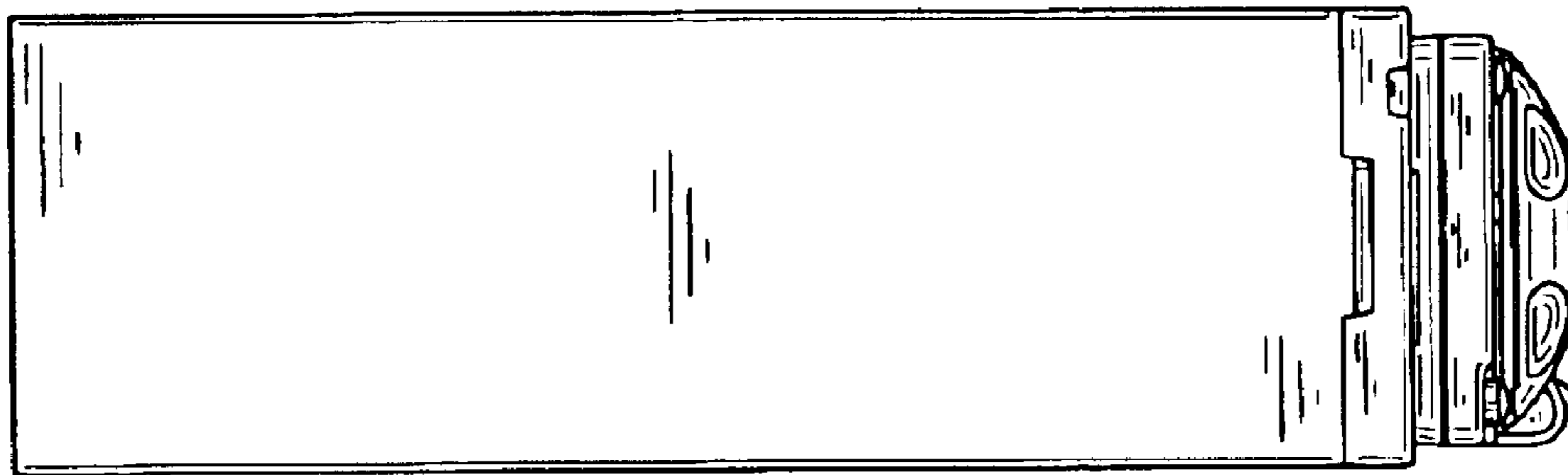


Fig.5

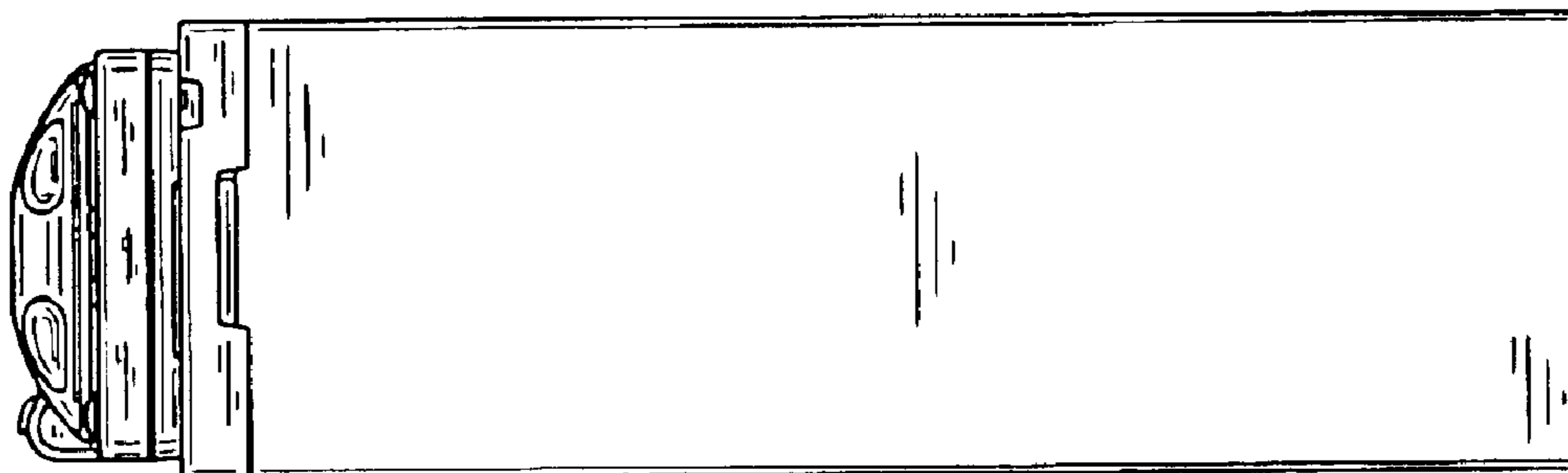


Fig.6

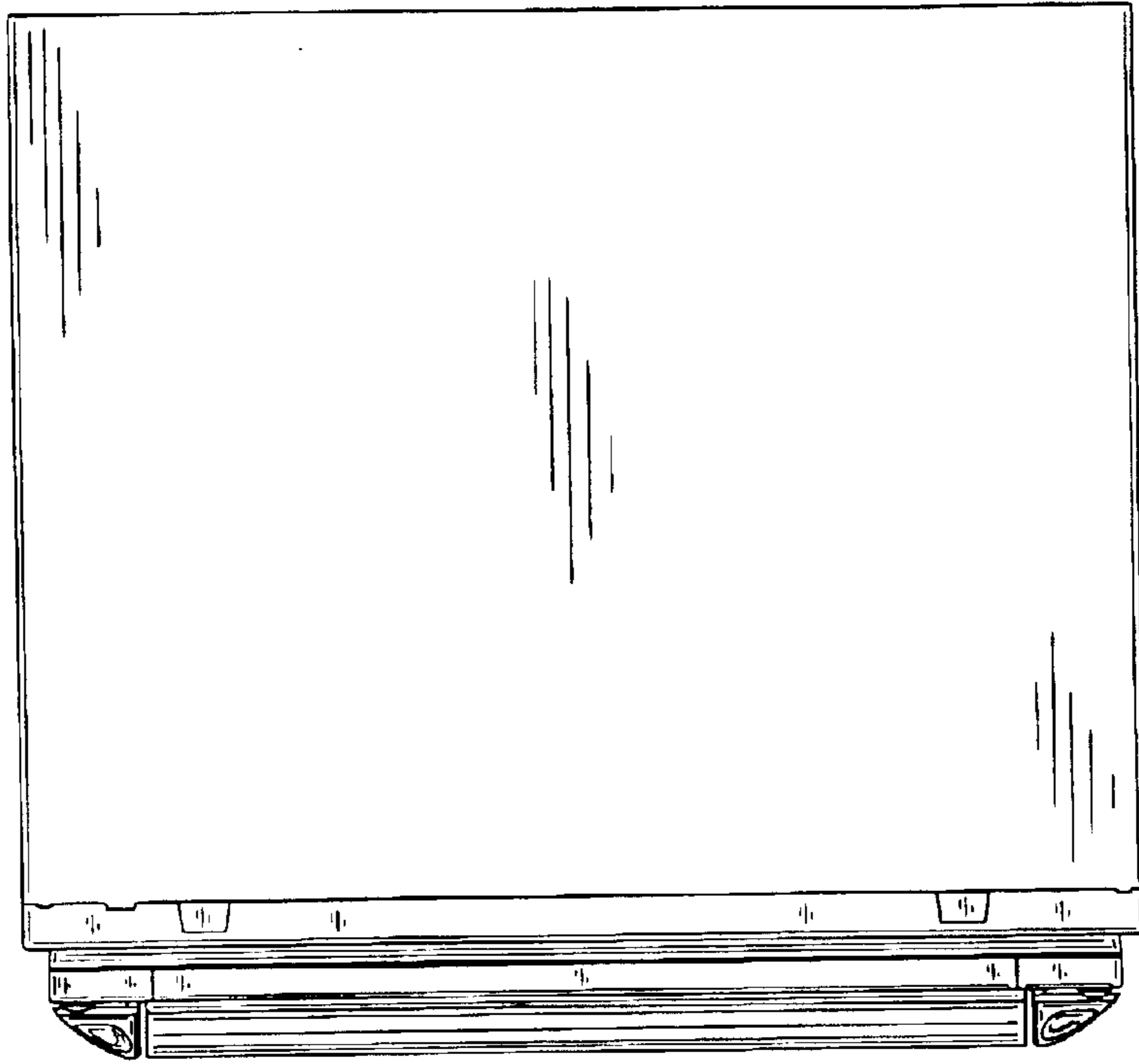


Fig.7

