

US00D496632S1

(12) **United States Design Patent**
David et al.

(10) **Patent No.: US D496,632 S**
(45) **Date of Patent: ** Sep. 28, 2004**

(54) **RUGGED USB CONNECTOR**

(75) Inventors: **Itamar David**, Buffalo Grove, IL (US);
Behzad Bamdad, Bloomingdale, IL
(US); **Ariel Britva**, Buffalo Grove, IL
(US)

(73) Assignee: **Motorola, Inc.**, Schaumburg, IL (US)

(**) Term: **14 Years**

(21) Appl. No.: **29/194,204**

(22) Filed: **Nov. 19, 2003**

(51) **LOC (7) Cl.** **13-03**

(52) **U.S. Cl.** **D13/147**

(58) **Field of Search** D13/133, 146,
D13/147; D14/256, 433; 361/119, 816;
439/246, 247, 345, 357, 358, 352, 359,
362, 368, 488-491, 465, 573, 606-608,
610-638, 654, 660, 676

(56) **References Cited**

U.S. PATENT DOCUMENTS

D275,850 S * 10/1984 Wilson D13/147
D297,530 S * 9/1988 Cooper D13/147
D318,265 S * 7/1991 Esslinger D13/147

D352,499 S * 11/1994 Rak D13/147
5,725,387 A * 3/1998 O'Sullivan et al. 439/98
5,788,534 A * 8/1998 Koegel et al. 439/465
D417,654 S * 12/1999 Lin et al. D13/147
6,203,341 B1 * 3/2001 Chen 439/186

* cited by examiner

Primary Examiner—Prabhakar Deshmukh

Assistant Examiner—Selina Sikder

(74) *Attorney, Agent, or Firm*—Valerie M. Davis

(57) **CLAIM**

The ornamental design for a rugged USB connector, as shown.

DESCRIPTION

FIG. 1 is a top, left and front isometric view of an ornamental design for a rugged USB connector in accordance with the present invention.

FIG. 2 is a top plan view of FIG. 1.

FIG. 3 is a bottom plan view of FIG. 1.

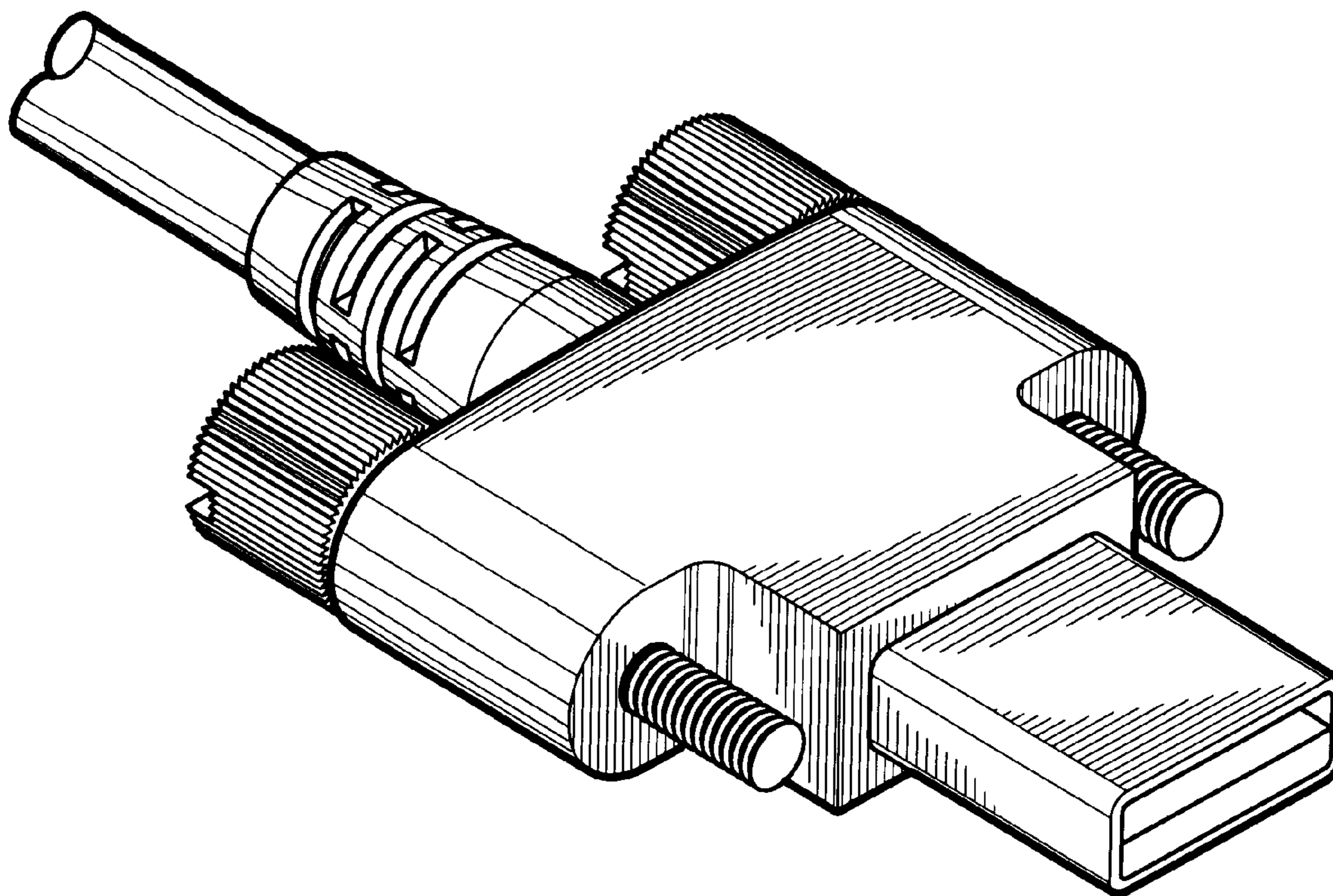
FIG. 4 is a left side elevation view of FIG. 1.

FIG. 5 is a right side elevation view of FIG. 1.

FIG. 6 is a front elevation view of FIG. 1; and,

FIG. 7 is a rear elevation view of FIG. 1.

1 Claim, 2 Drawing Sheets



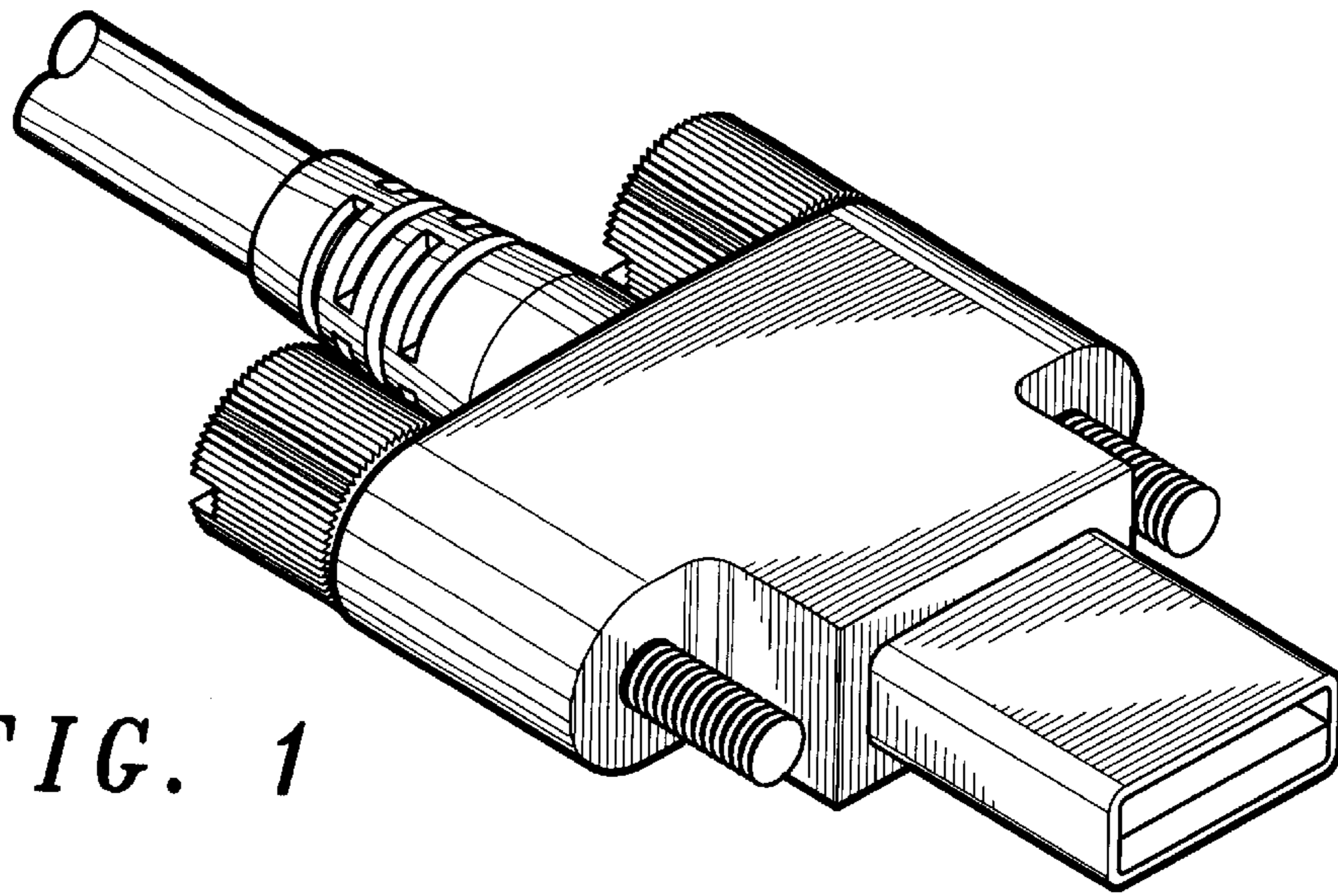


FIG. 1

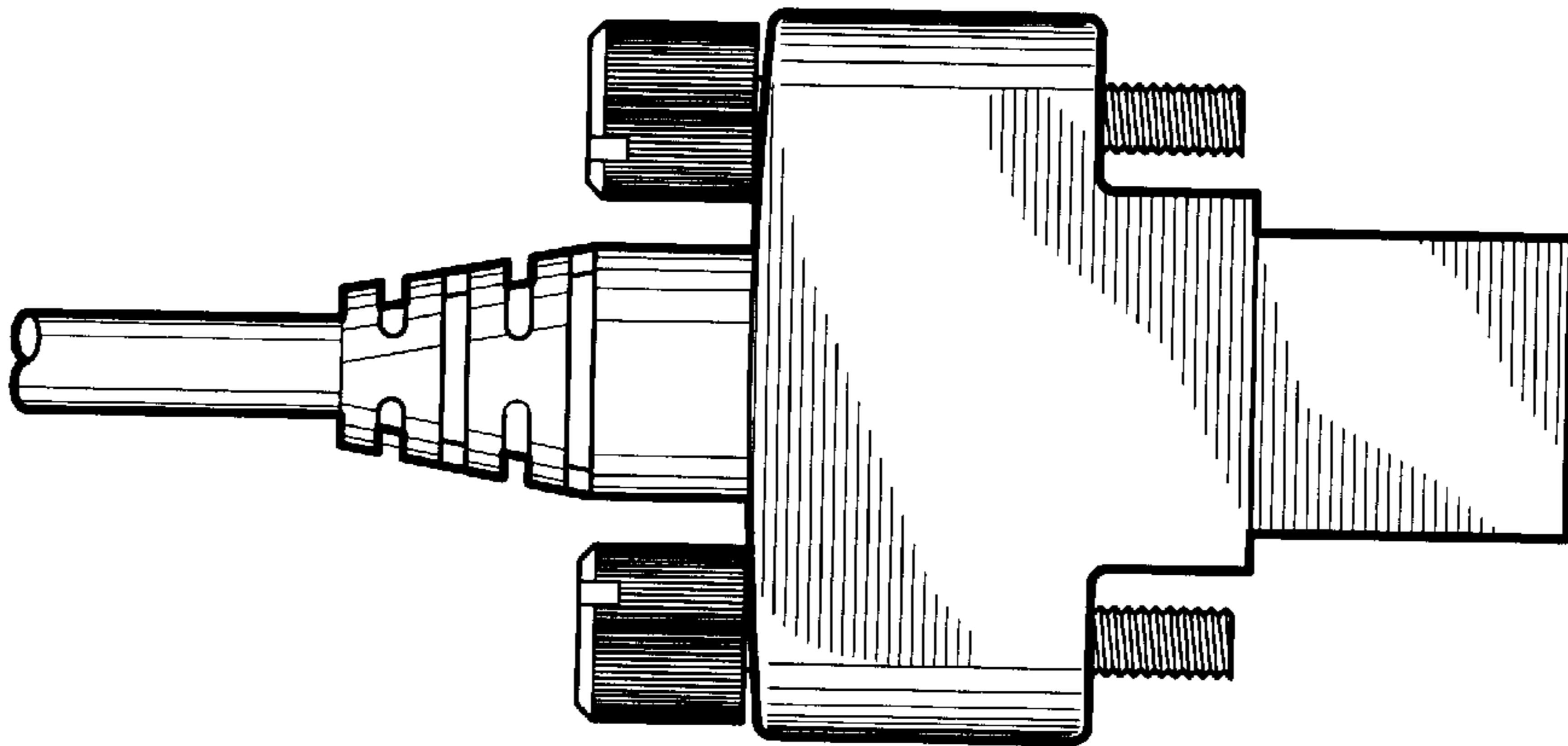


FIG. 2

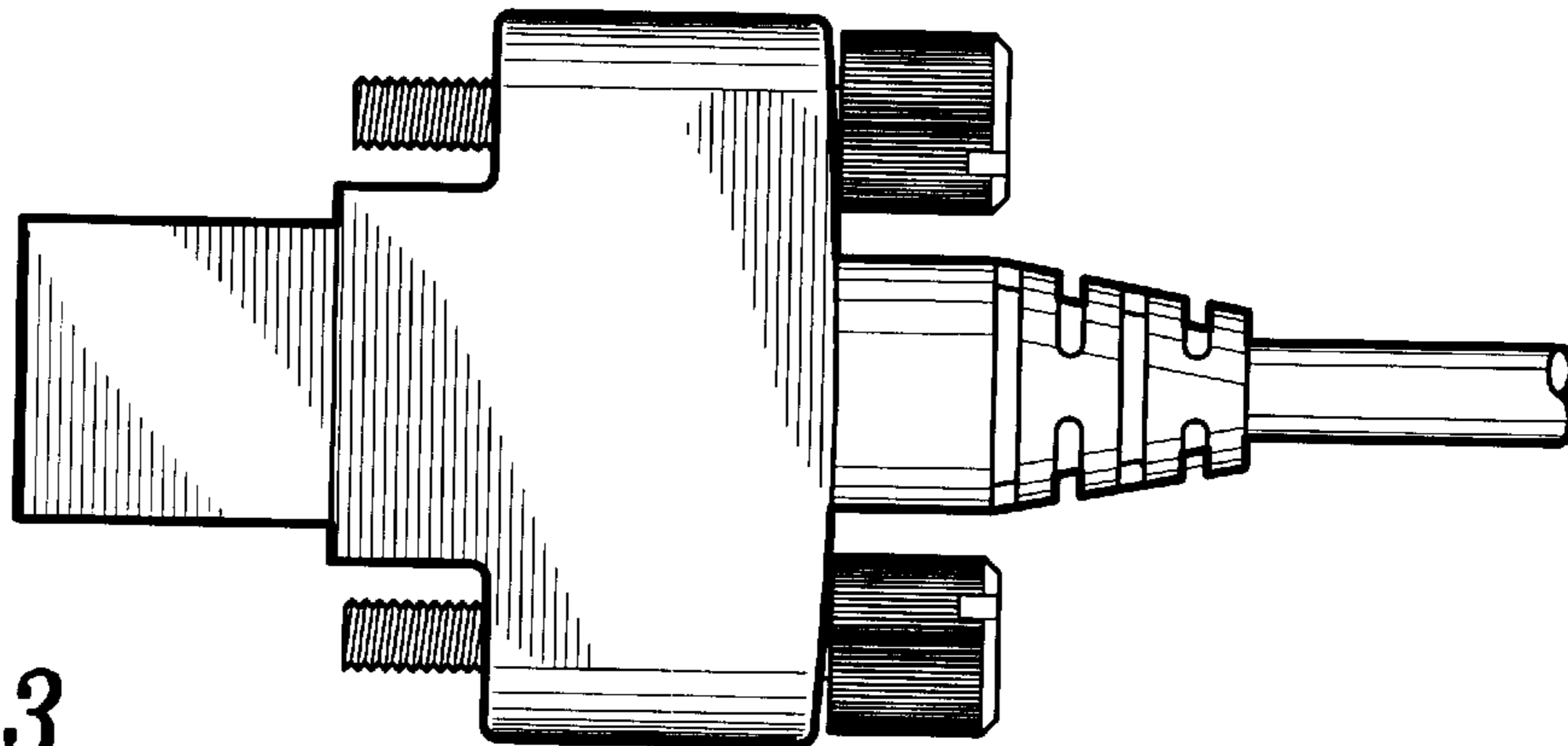


FIG. 3

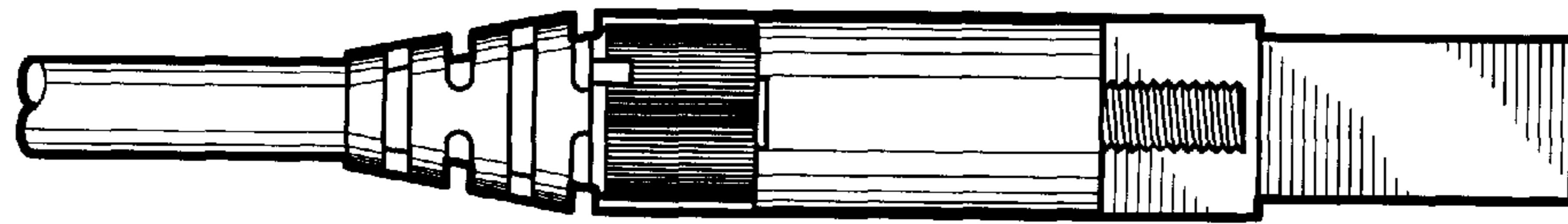


FIG. 4

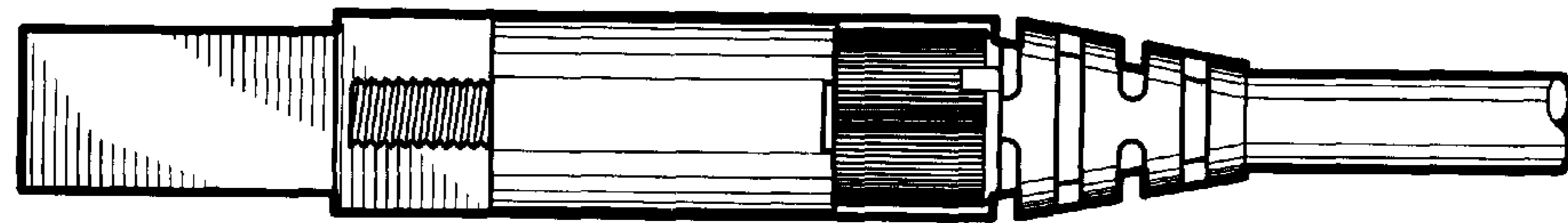


FIG. 5

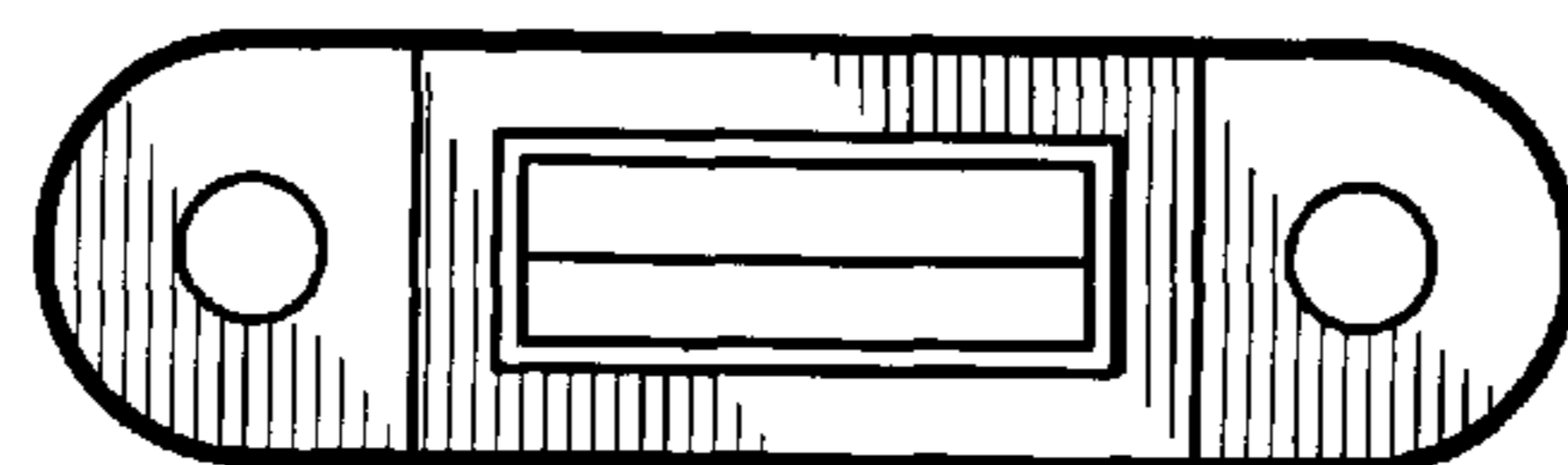


FIG. 6

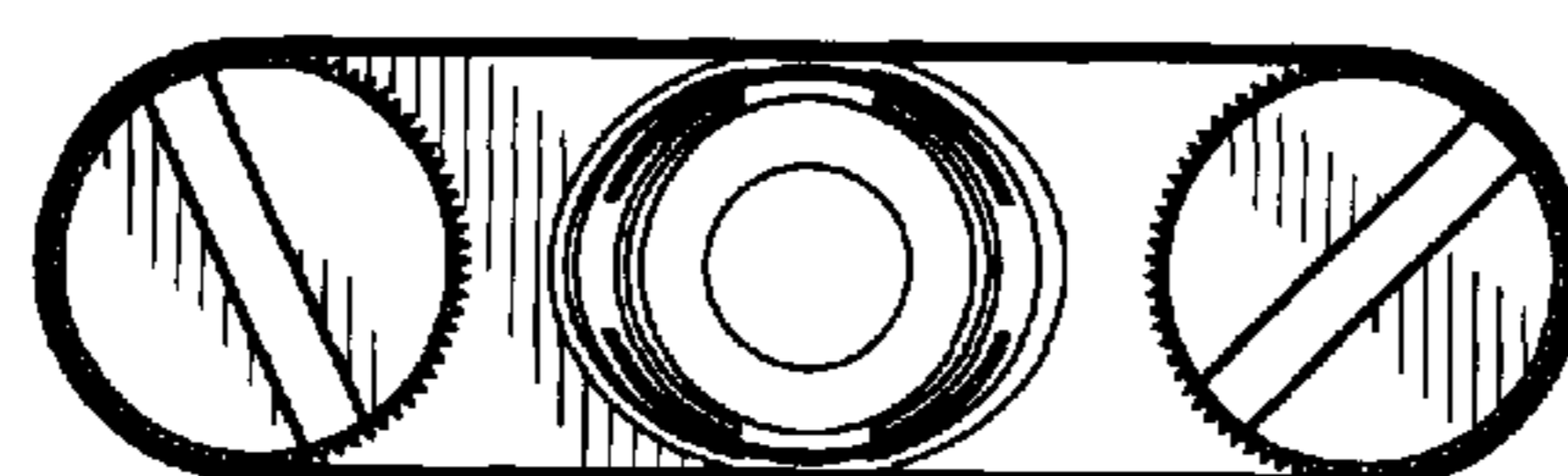


FIG. 7