



US00D496631S1

(12) **United States Design Patent**
Wu

(10) **Patent No.:** **US D496,631 S**

(45) **Date of Patent:** **** Sep. 28, 2004**

(54) **ELECTRICAL CONNECTOR**

(75) **Inventor:** **Jerry Wu, Irvine, CA (US)**

(73) **Assignee:** **Hon Hai Precision Ind. Co., Ltd.,
Taipei Hsien (TW)**

(**) **Term:** **14 Years**

(21) **Appl. No.:** **29/167,249**

(22) **Filed:** **Sep. 10, 2002**

(51) **LOC (7) Cl.** **13-03**

(52) **U.S. Cl.** **D13/133**

(58) **Field of Search** D13/133, 147,
D13/153, 151, 146; 439/76.1, 79, 83, 607,
608, 609, 610

(56) **References Cited**

U.S. PATENT DOCUMENTS

D319,998 S	*	9/1991	Kozono	D13/133
D327,249 S	*	6/1992	Ohkura et al.	D13/133
5,137,466 A	*	8/1992	Endo et al.	439/357
D344,491 S	*	2/1994	Nakamura	D13/147
D406,819 S	*	3/1999	Taguchi	D13/154
D416,864 S	*	11/1999	Huang	D13/147

D417,435 S	*	12/1999	Lin et al.	D13/147
D417,655 S	*	12/1999	Lin et al.	D13/147
6,039,606 A	*	3/2000	Chiou	439/610
D435,519 S	*	12/2000	Lee	D13/147
6,179,627 B1	*	1/2001	Daly et al.	439/76.1
6,328,588 B1	*	12/2001	Tsai et al.	439/352
D463,373 S	*	9/2002	Lee	D13/147

* cited by examiner

Primary Examiner—Philip S. Hyder

(74) *Attorney, Agent, or Firm*—Wei Te Chung

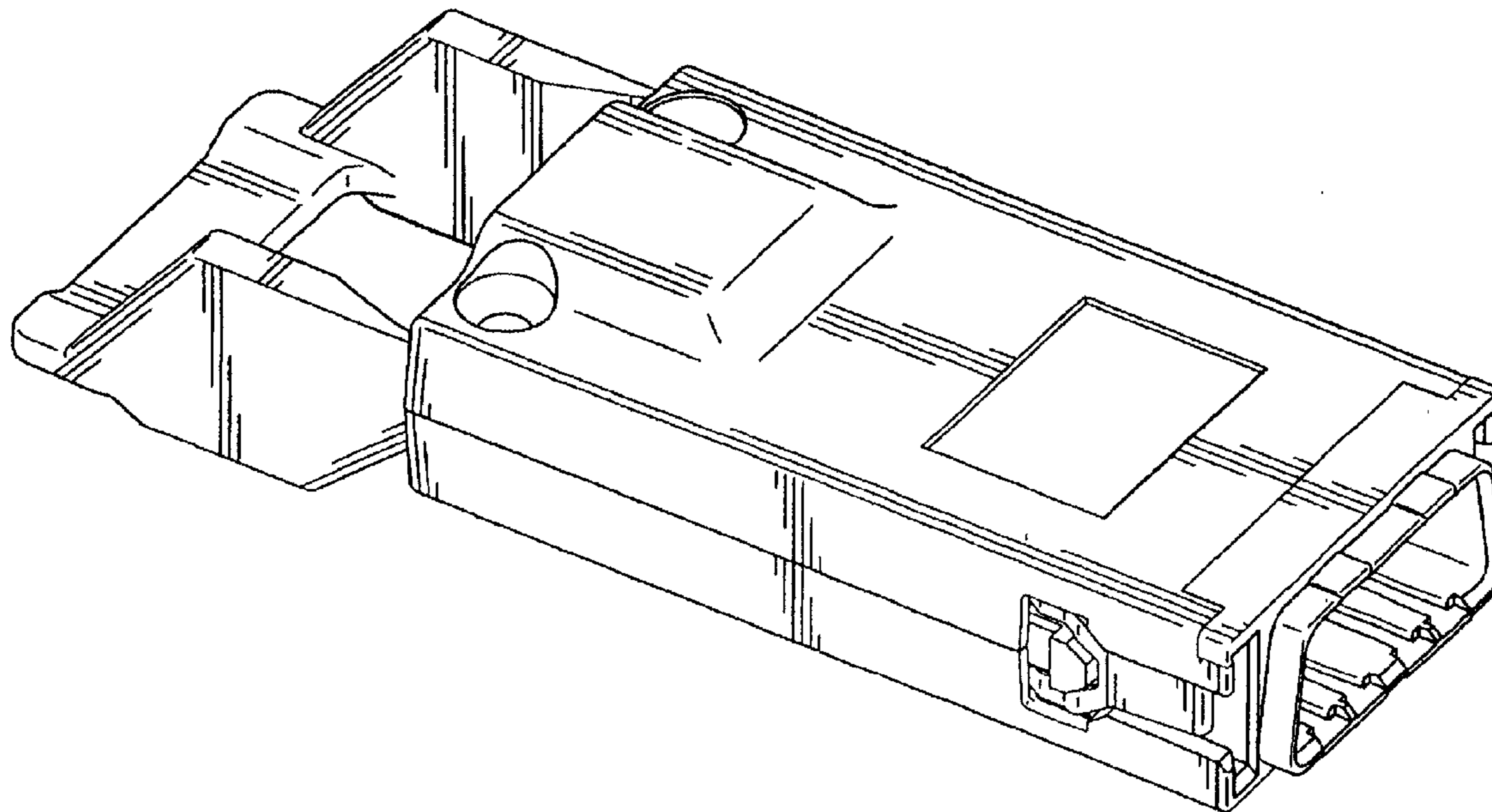
(57) **CLAIM**

The ornamental design for an electrical connector, as shown.

DESCRIPTION

FIG. 1 is a front, top and left side perspective view of an electrical connector showing my new design; FIG. 2 is a front elevational view thereof; FIG. 3 is a rear elevational view thereof; FIG. 4 is a left side elevational view thereof; FIG. 5 is a right side elevational view thereof; FIG. 6 is a top plan view thereof; and, FIG. 7 is a bottom plan view thereof.

1 Claim, 6 Drawing Sheets



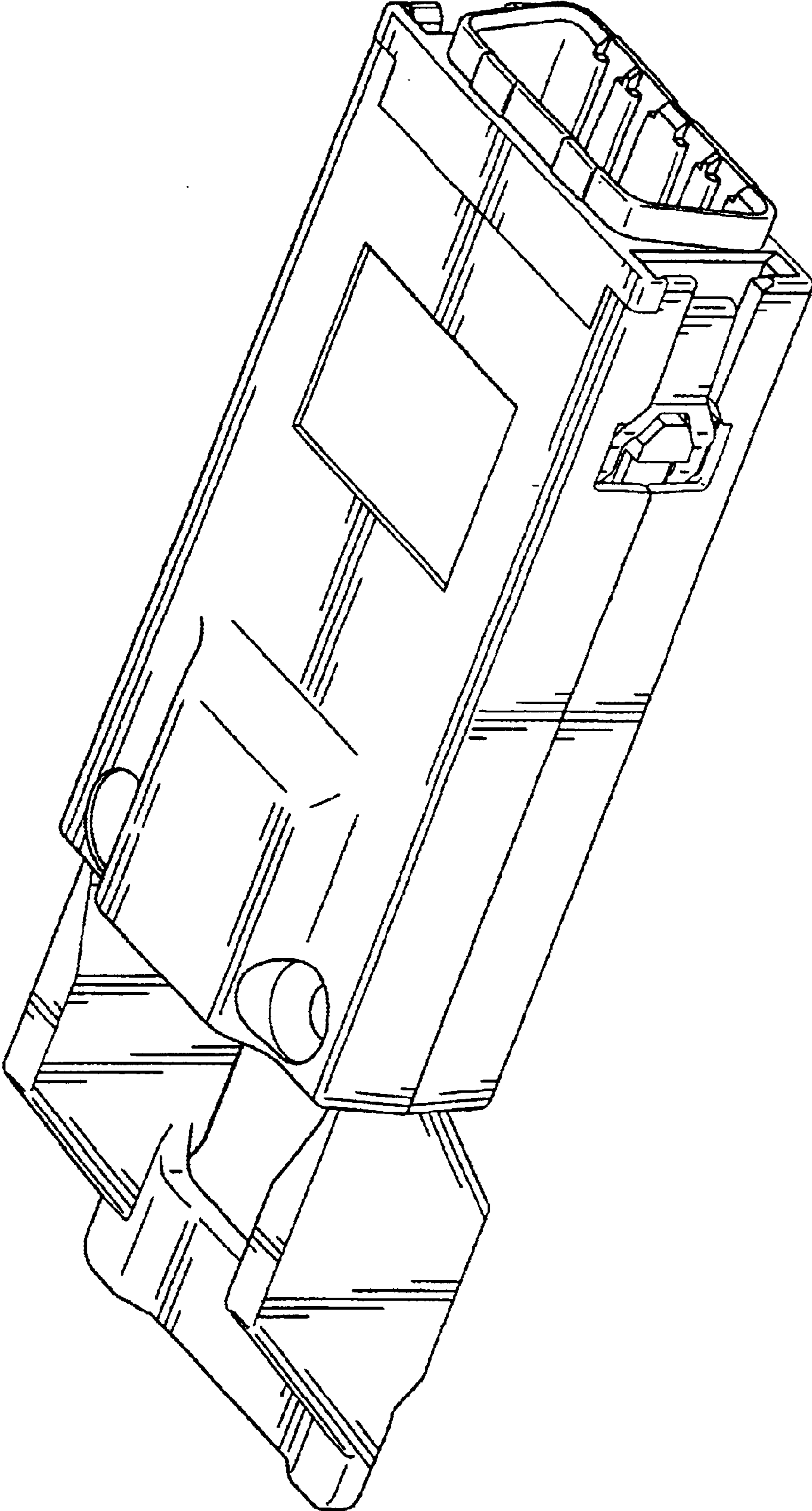


FIG. 1

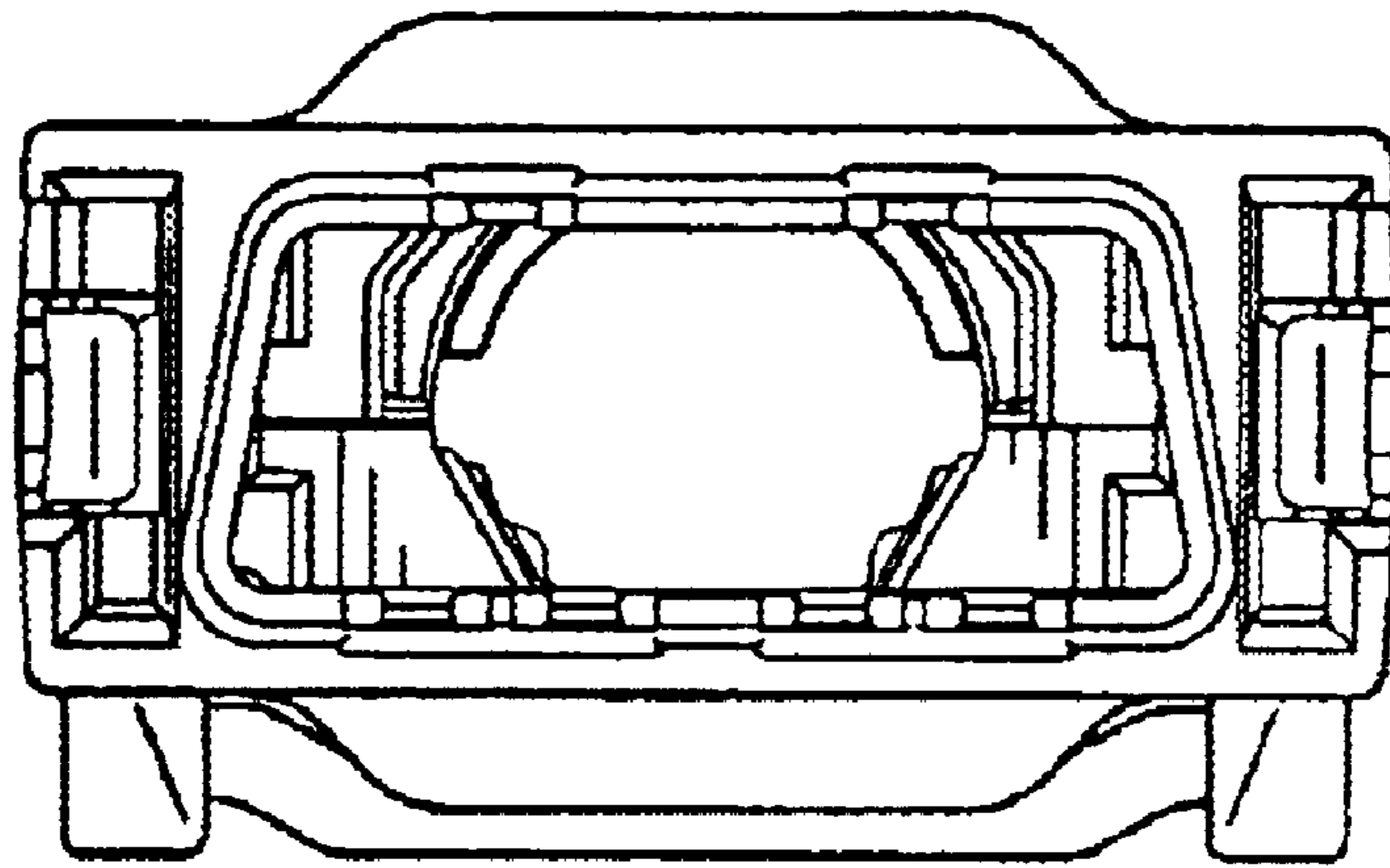


FIG. 2

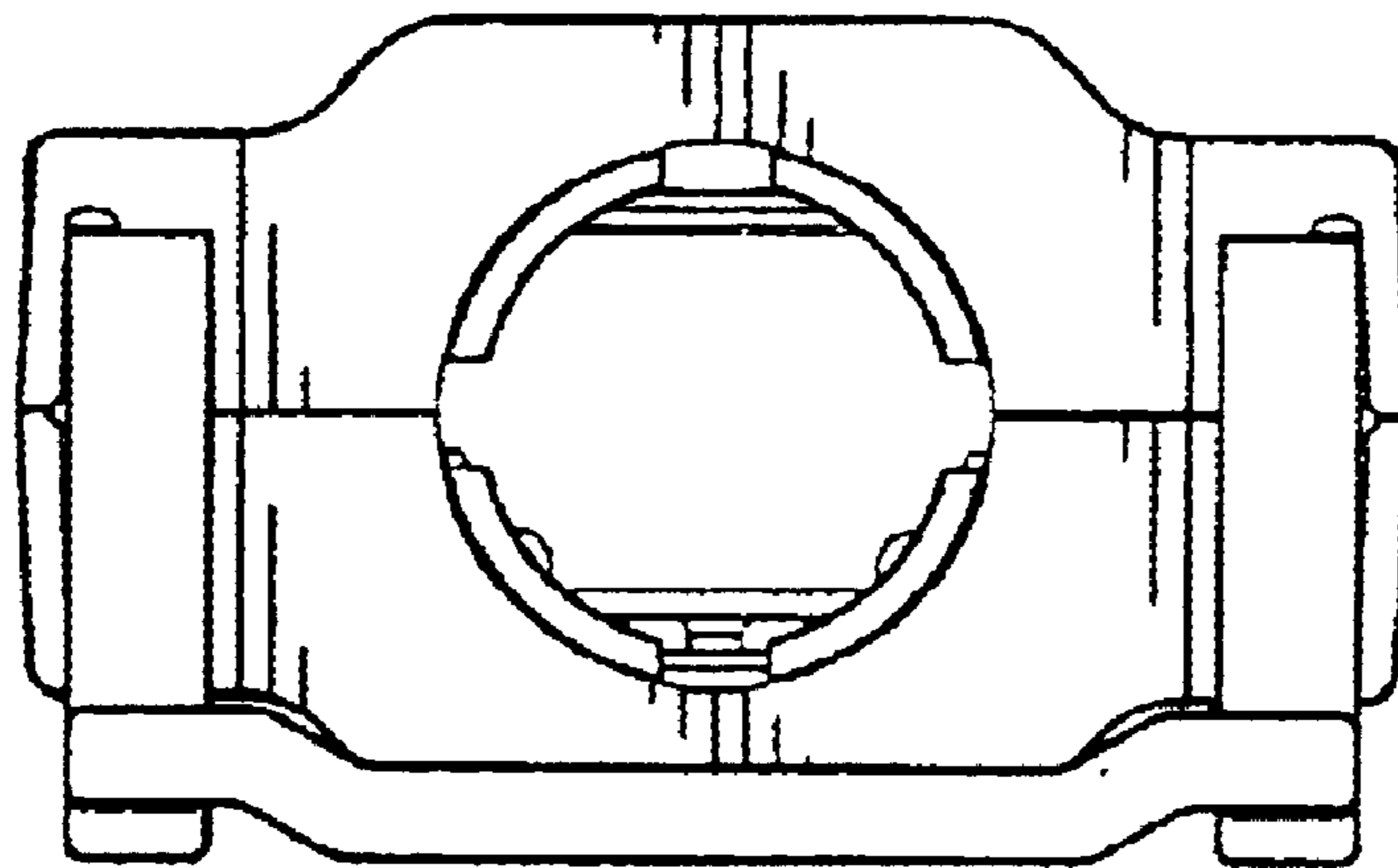


FIG. 3

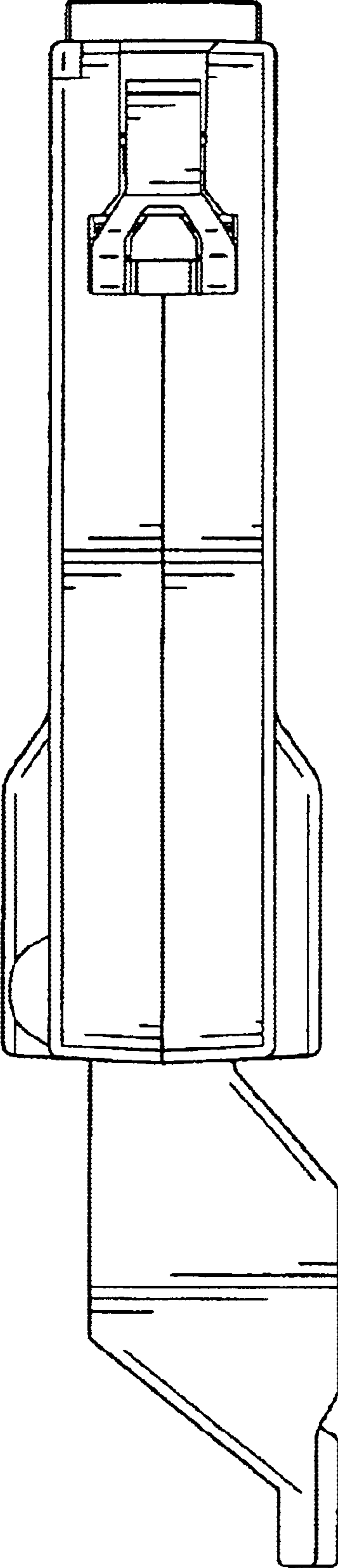


FIG. 4

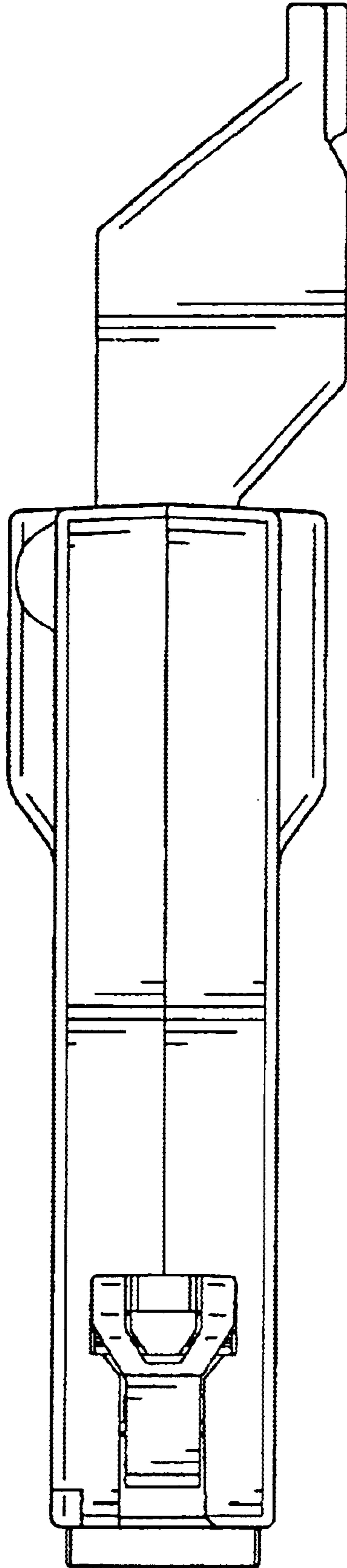


FIG. 5

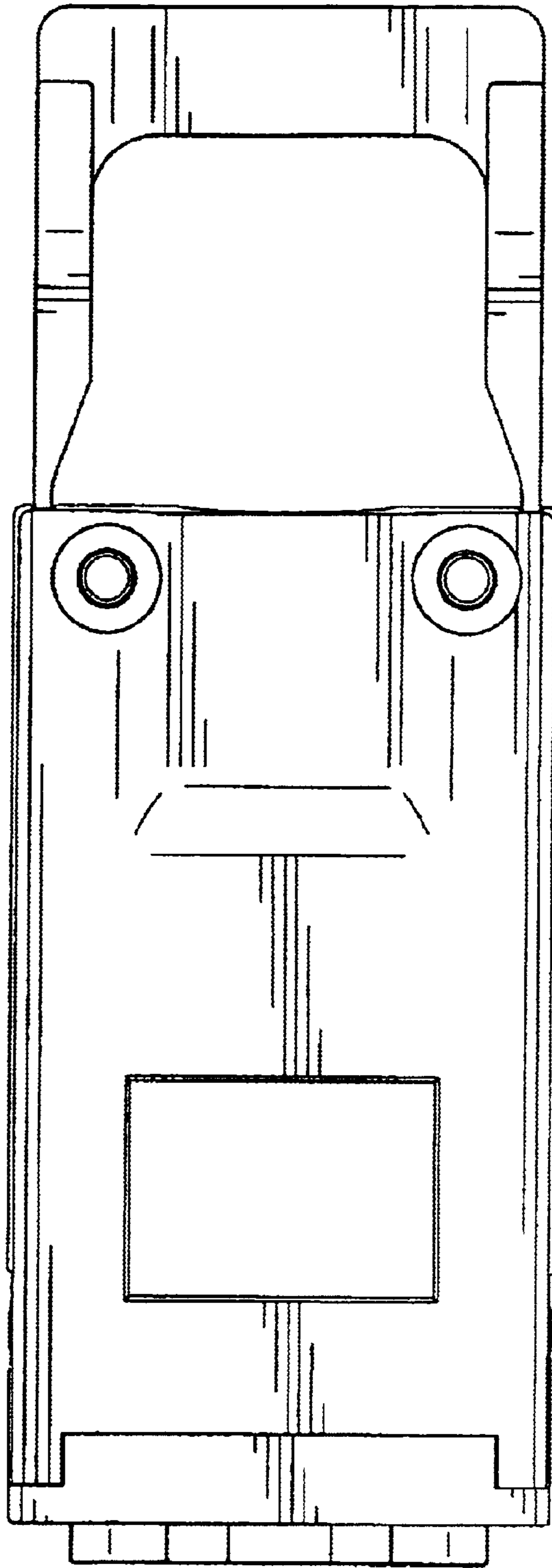


FIG. 6

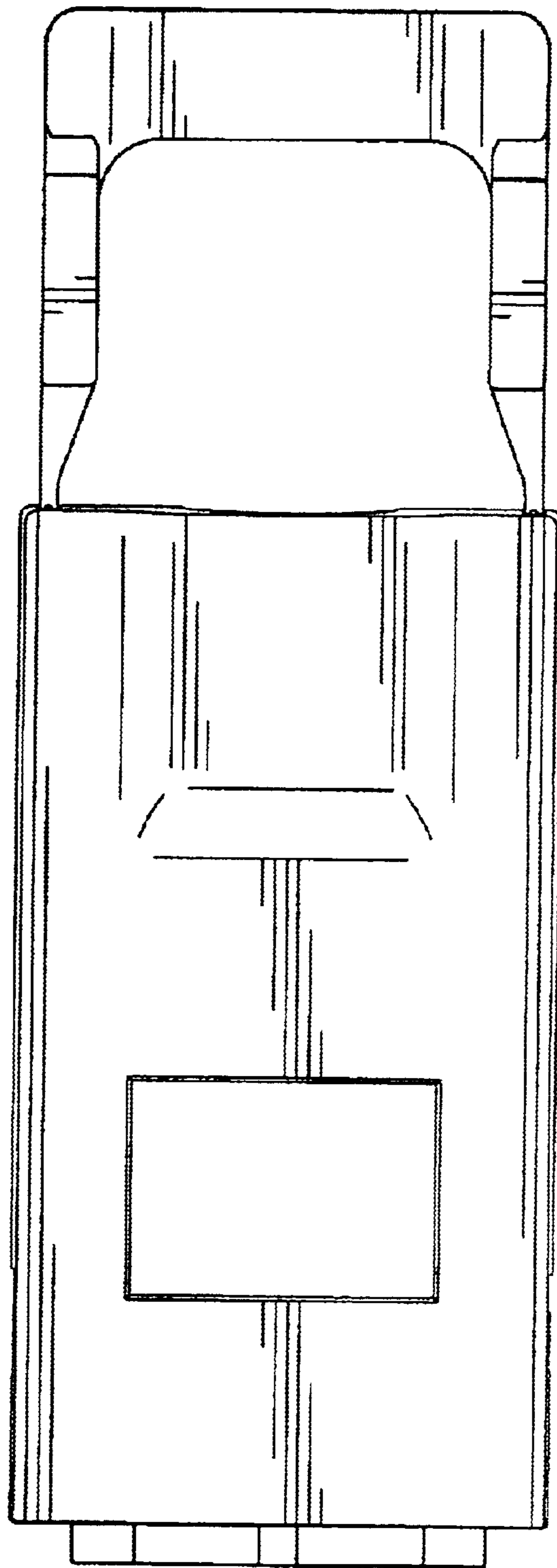


FIG. 7