

US00D496623S1

(12) **United States Design Patent**
Elmitt

(10) **Patent No.:** **US D496,623 S**
(45) **Date of Patent:** **** Sep. 28, 2004**

(54) **FRONT FACE OF A VEHICLE WHEEL**

(75) **Inventor:** **Karl John Elmitt, Eching (DE)**

(73) **Assignee:** **Bayerische Motoren Werke
Aktiengesellschaft, Munich (DE)**

(**) **Term:** **14 Years**

(21) **Appl. No.:** **29/194,472**

(22) **Filed:** **Nov. 26, 2003**

(30) **Foreign Application Priority Data**

May 28, 2003 (DE) 403 03 911

(51) **LOC (7) Cl.** **12-16**

(52) **U.S. Cl.** **D12/211**

(58) **Field of Search** D12/204-213;
301/37.101, 64.101, 65

(56) **References Cited**

U.S. PATENT DOCUMENTS

D361,547 S * 8/1995 Weld D12/211
D394,038 S * 5/1998 Braun D12/211

D396,682 S * 8/1998 Sacco et al. D12/209
D402,952 S * 12/1998 Sycha D12/211
D407,057 S * 3/1999 Goplen D12/211
D462,643 S * 9/2002 Murkett et al. D12/211
D470,093 S * 2/2003 Frizzi D12/209
D480,676 S * 10/2003 Bhambra D12/211
D486,110 S * 2/2004 Elmitt D12/211
D486,116 S * 2/2004 Maifrini D12/211
D486,770 S * 2/2004 Pollmann D12/209

* cited by examiner

Primary Examiner—Stacia Cadmus

(74) *Attorney, Agent, or Firm*—Crowell & Moring LLP

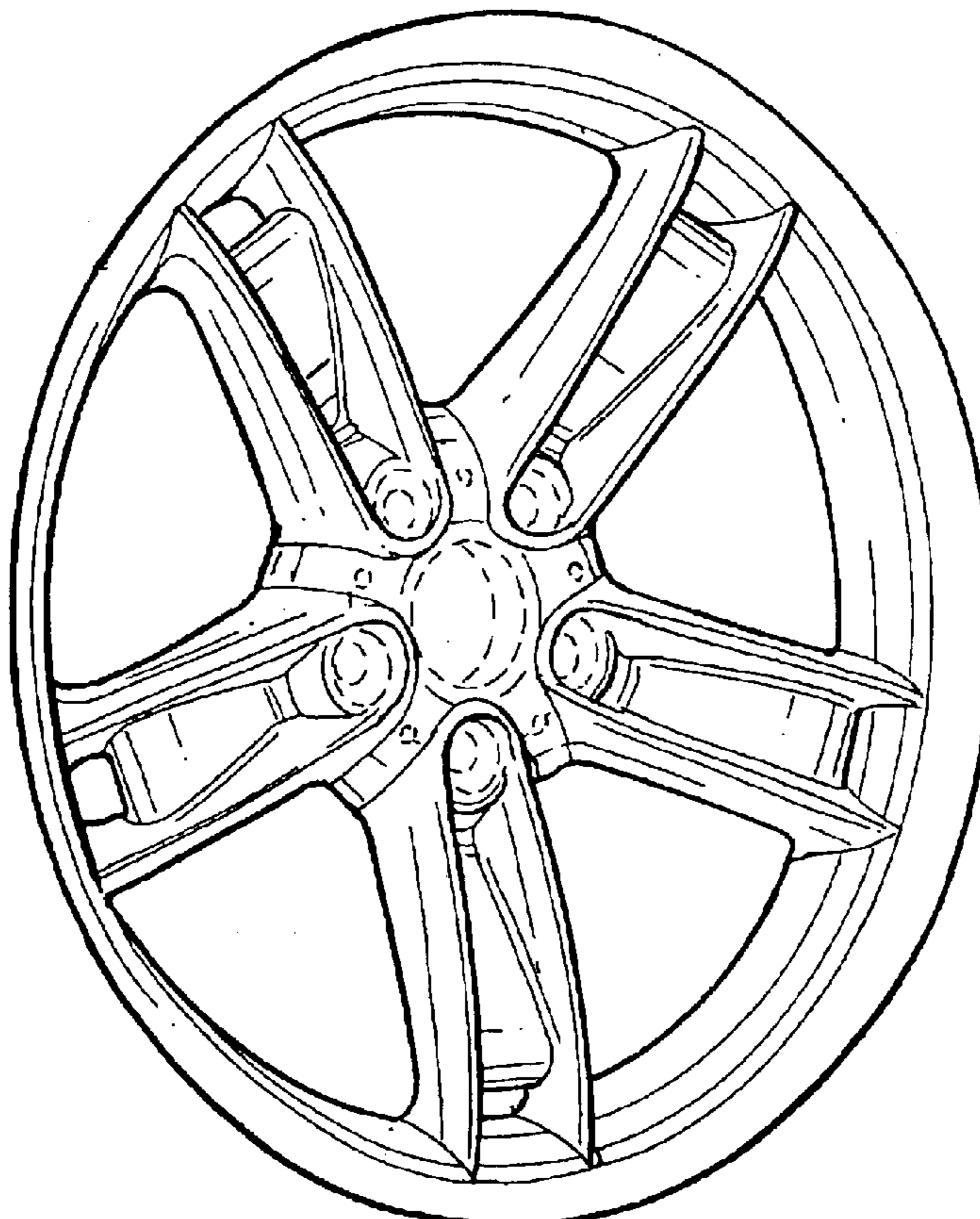
(57) **CLAIM**

The ornamental design for a front face of a vehicle wheel,
as shown and described.

DESCRIPTION

FIG. 1 is a front view of a front face of a vehicle wheel
according to my novel design; and,
FIG. 2 is a perspective view of the front face of a vehicle
wheel according to my novel design.

1 Claim, 1 Drawing Sheet



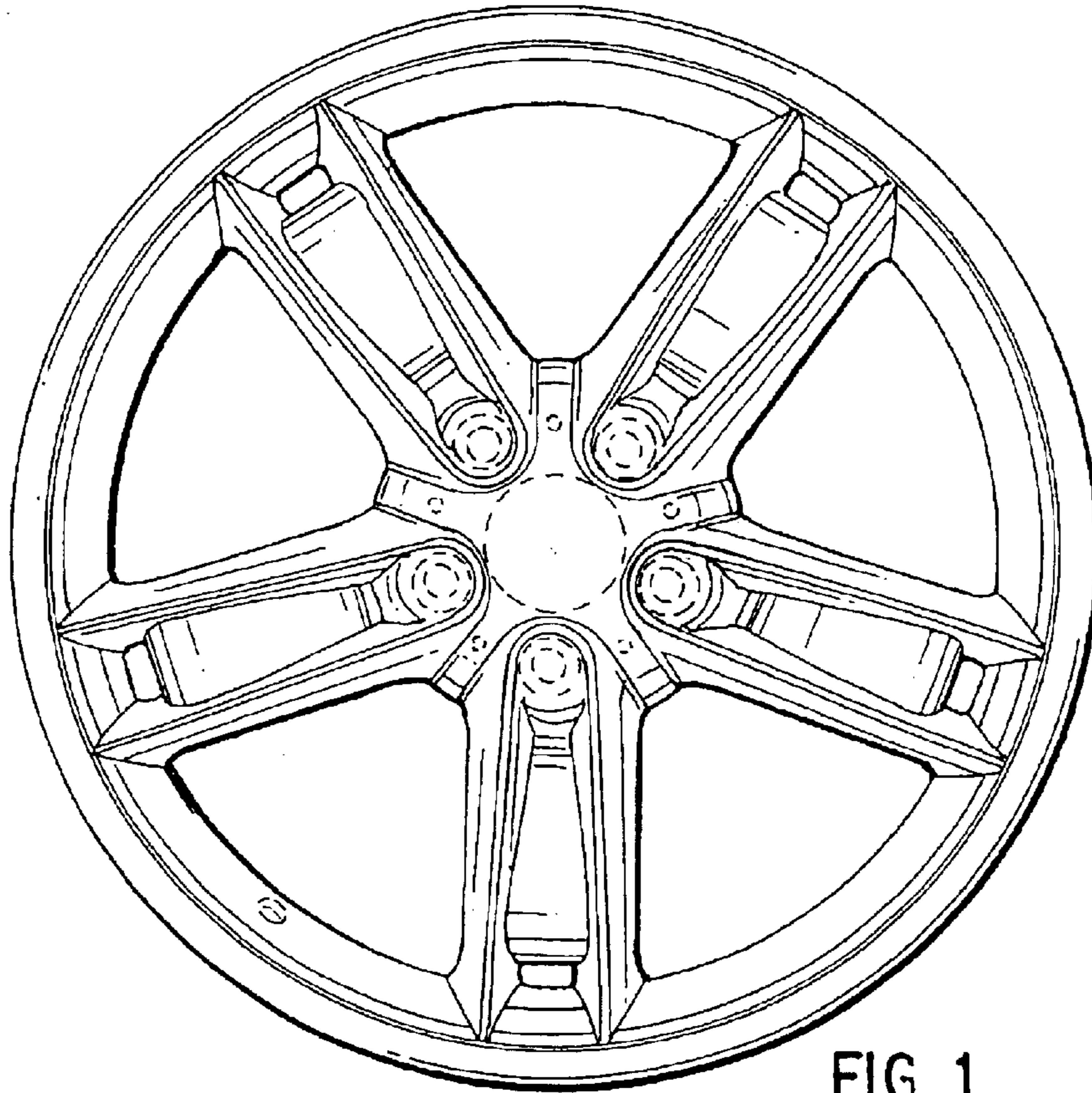


FIG. 1

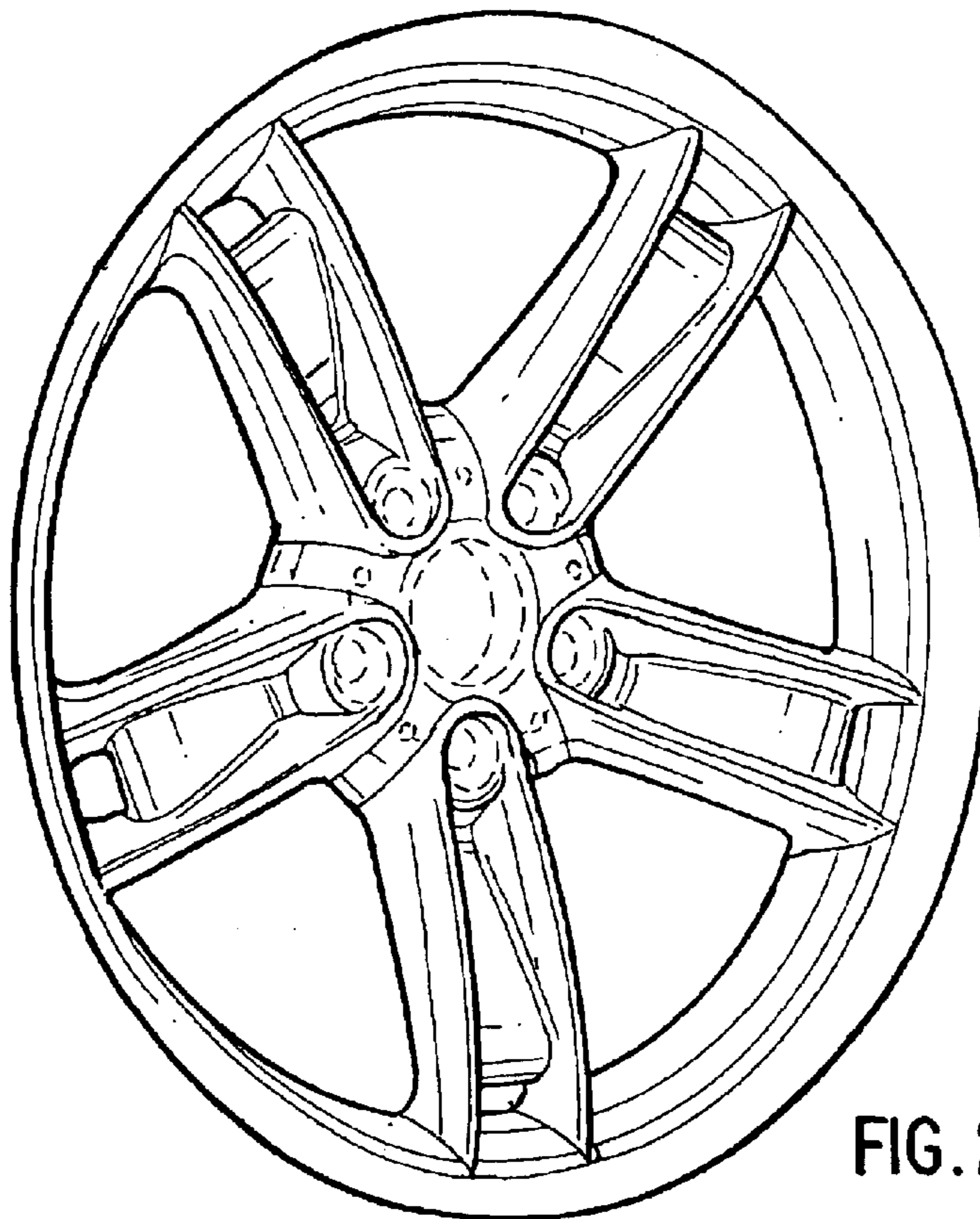


FIG. 2