

US00D496620S1

(12) **United States Design Patent**
Perfetti et al.

(10) **Patent No.:** **US D496,620 S**

(45) **Date of Patent:** **** Sep. 28, 2004**

(54) **FAIRING FOR AN OVER THE HIGHWAY TRUCK**

D478,854 S * 8/2003 Platto et al. D12/196

OTHER PUBLICATIONS

(75) Inventors: **Ruben Perfetti**, Greensboro, NC (US);
John Martin, Madison, NC (US);
Michael Sorrells, Greensboro, NC (US)

1 page section of a story board used by the inventors of the present application depicting competing trucks that were on the market when this design was completed.

(73) Assignee: **Volvo Trucks North America, Inc.**,
Greensboro, NC (US)

* cited by examiner

(**) Term: **14 Years**

Primary Examiner—Melody N. Brown

(74) *Attorney, Agent, or Firm*—Watts Hoffmann Co., L.P.A.

(21) Appl. No.: **29/186,486**

(22) Filed: **Jul. 16, 2003**

(57) **CLAIM**

The ornamental design for a fairing for an over the highway truck, as shown and described.

(51) **LOC (7) Cl.** **12-16**

(52) **U.S. Cl.** **D12/196**

(58) **Field of Search** D12/196, 96, 97;
296/180.1, 180.2, 181, 190, 89.14, 89.16

DESCRIPTION

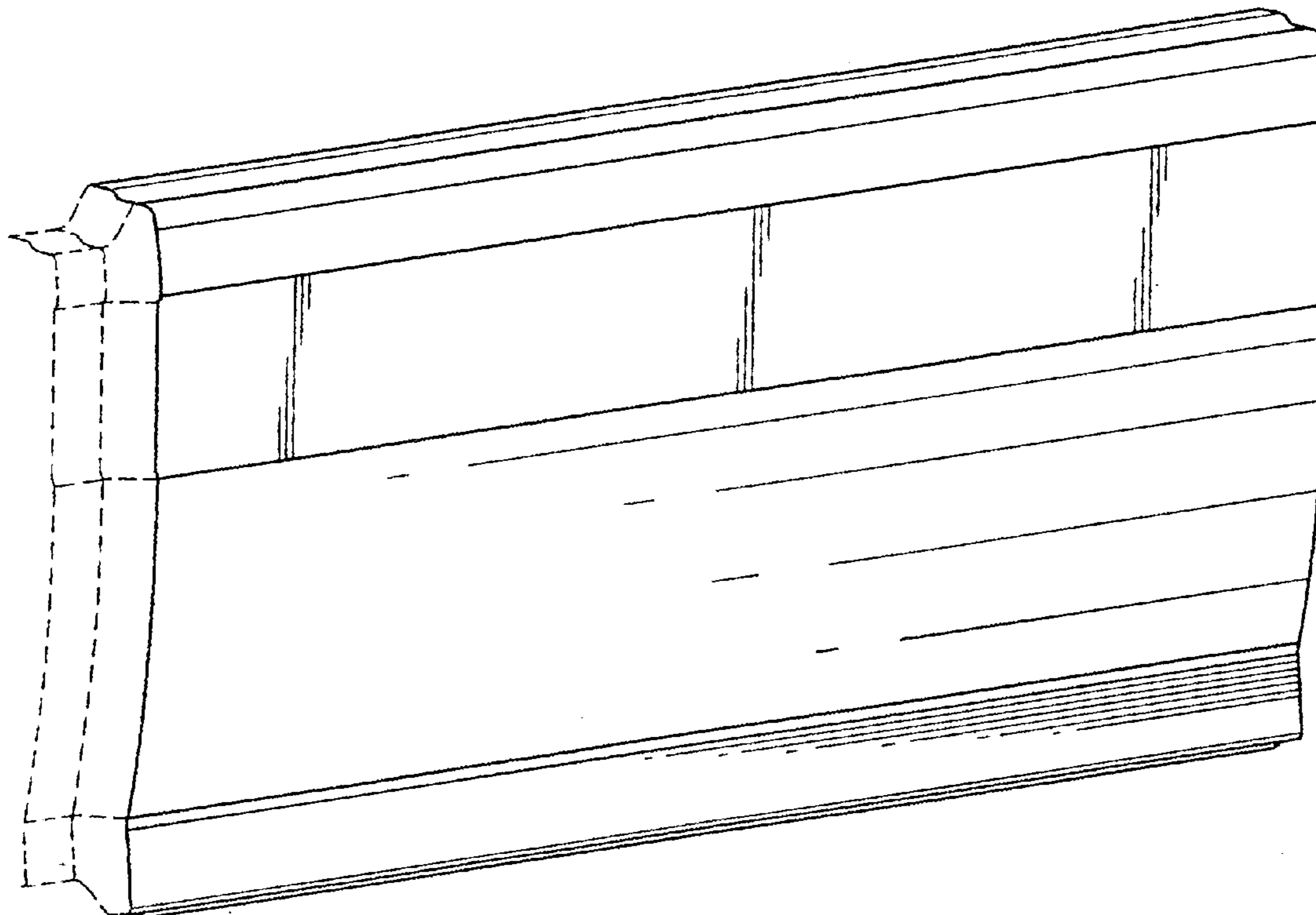
(56) **References Cited**

U.S. PATENT DOCUMENTS

- D411,140 S * 6/1999 Meryman et al. D12/96
- D420,622 S * 2/2000 Hellhake et al. D12/97
- D433,981 S * 11/2000 Davis et al. D12/196
- D434,348 S * 11/2000 Delashaw et al. D12/96
- D437,570 S * 2/2001 Meryman et al. D12/96
- D460,023 S * 7/2002 Beigel D12/96
- D465,749 S * 11/2002 Beigel D12/96

FIG. 1 is a perspective view of the fairing for an over the highway truck of our new design;
FIG. 2 is a perspective view of the fairing;
FIG. 3 is a top plan view of the fairing;
FIG. 4 is a front elevational view of the fairing;
FIG. 5 is a right side elevational view of the fairing;
FIG. 6 is a rear elevational view of the fairing;
FIG. 7 is a left side elevational view of the fairing; and,
FIG. 8. is a bottom plan view of the fairing.
The broken lines shown are for illustrative purposes only and form no part of the claimed design.

1 Claim, 4 Drawing Sheets



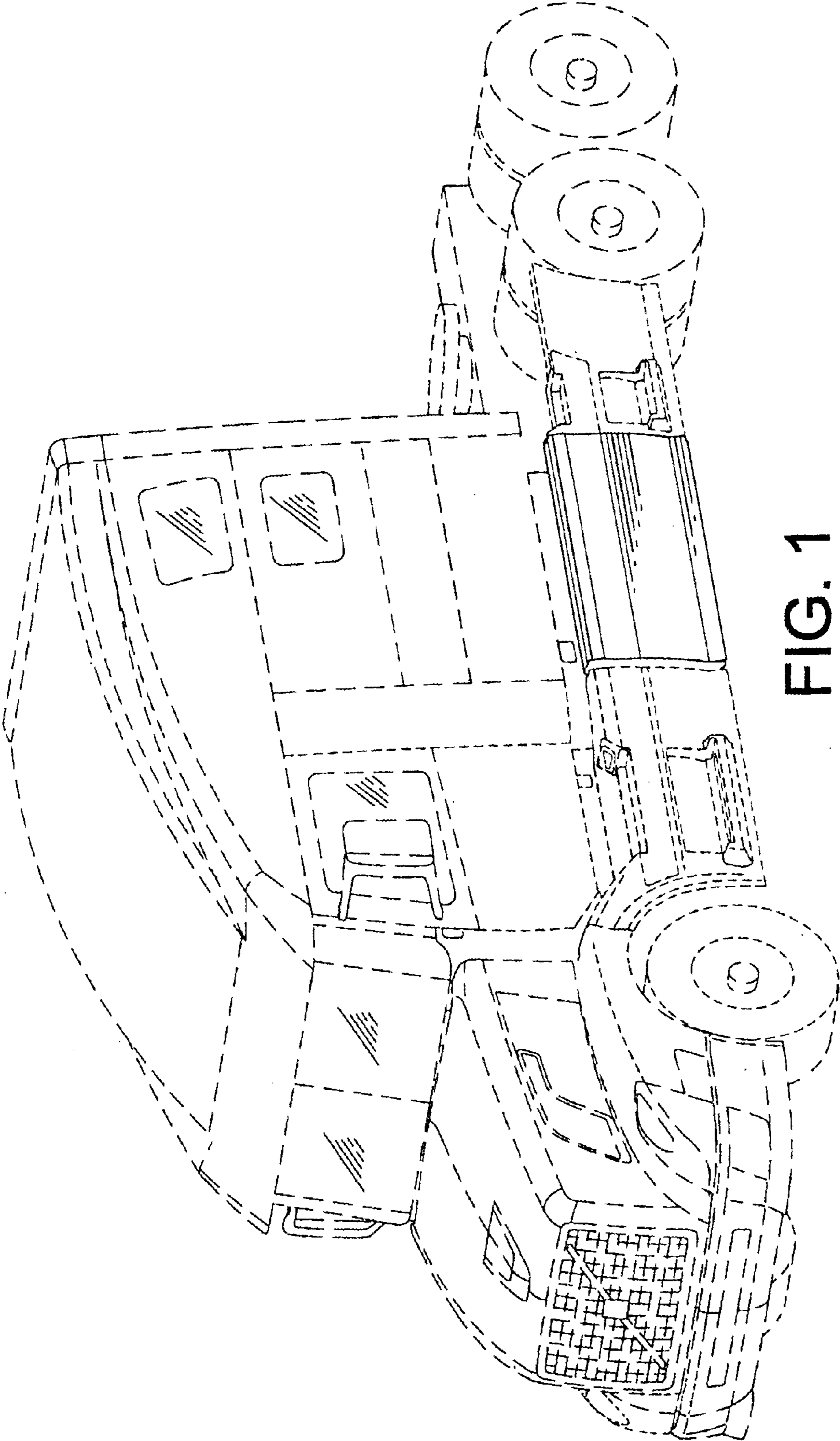


FIG. 1

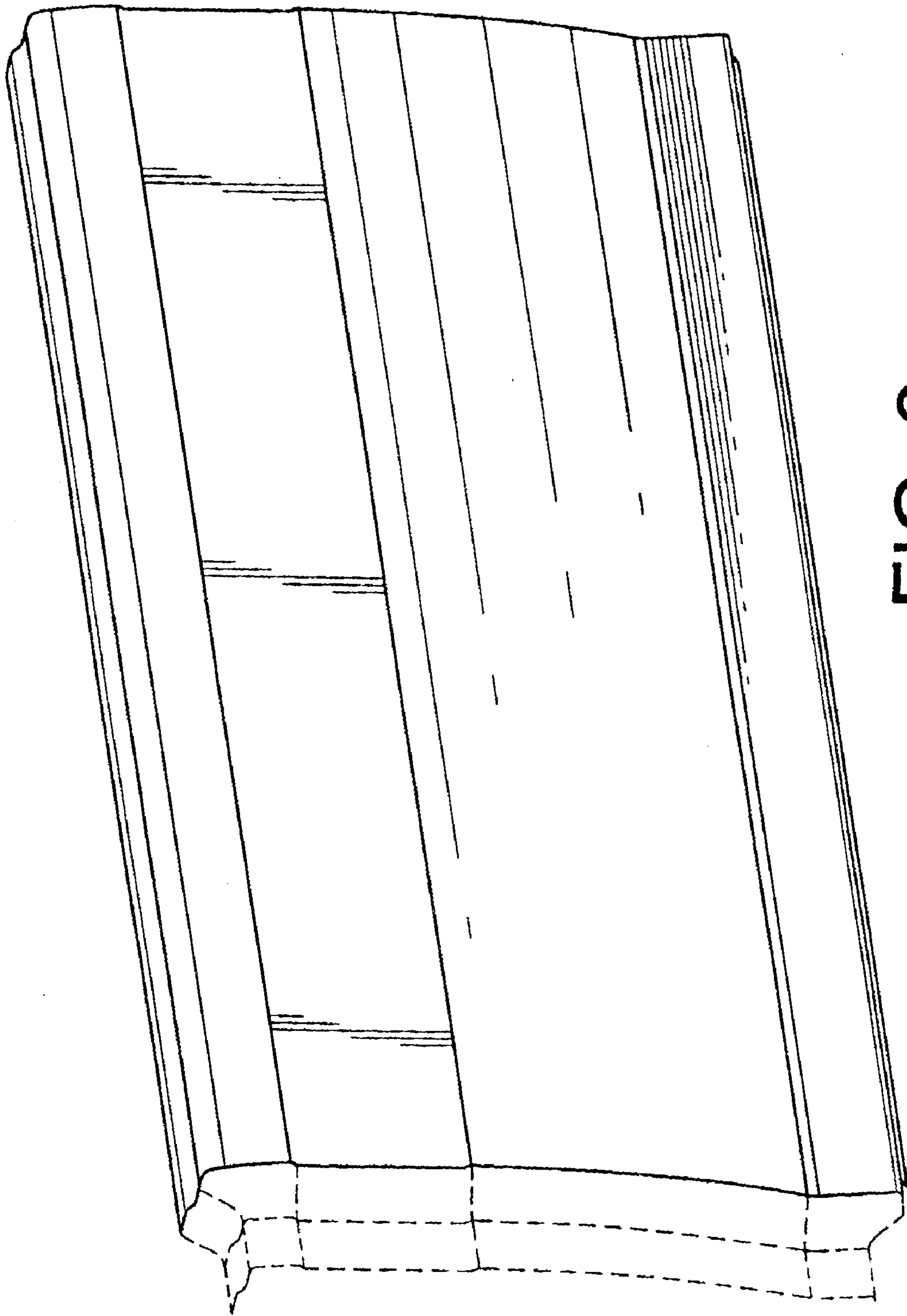


FIG. 2



FIG. 3

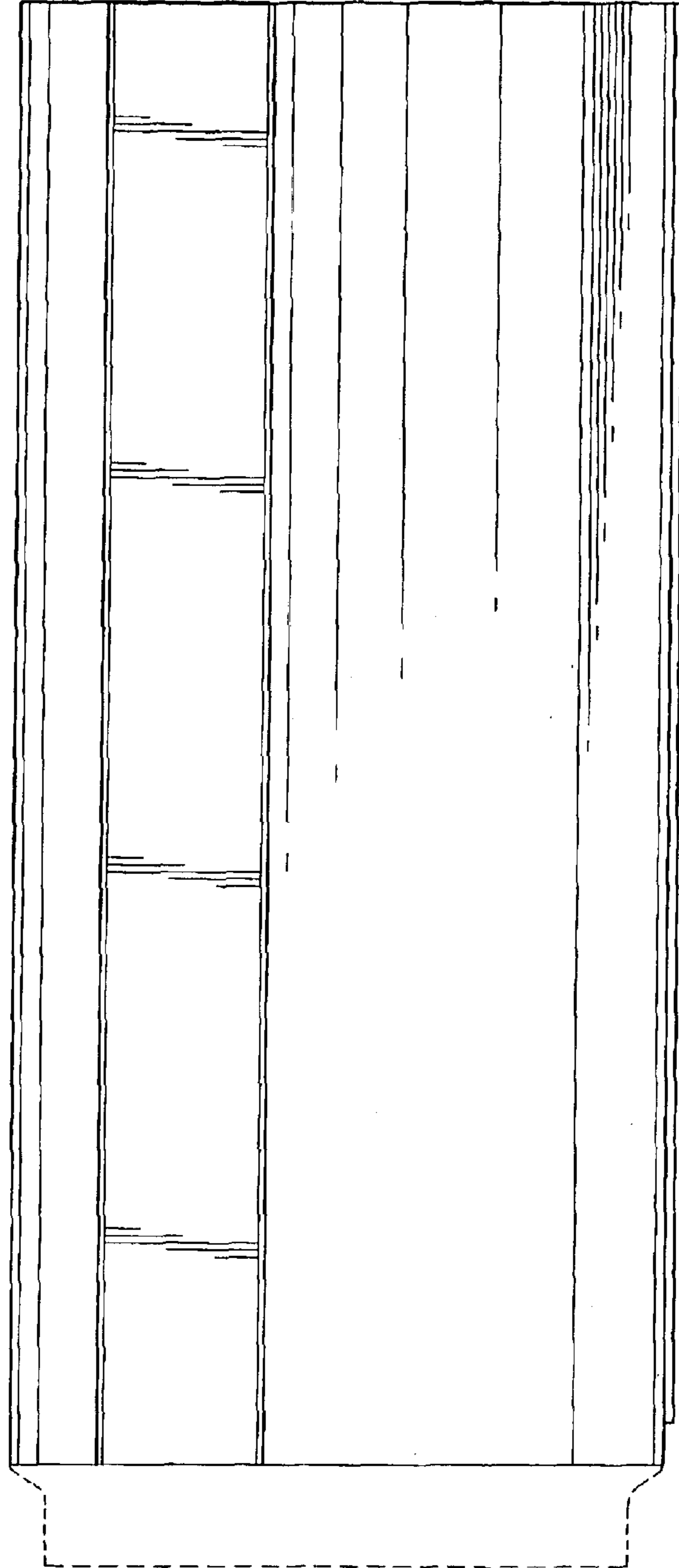


FIG. 5

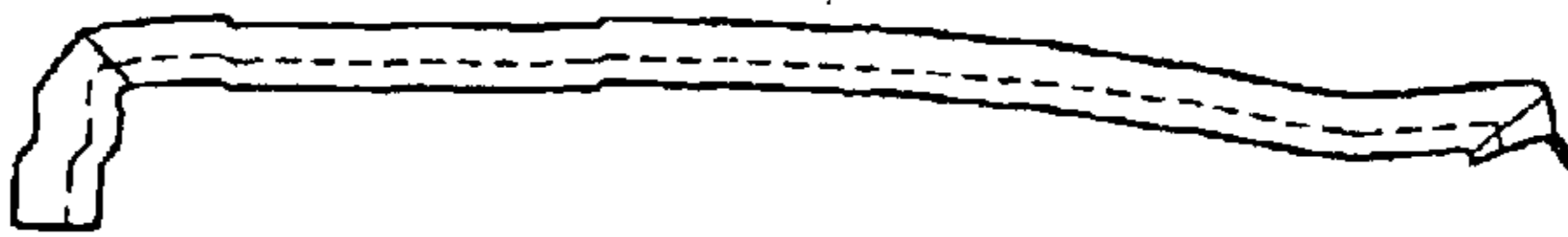


FIG. 4

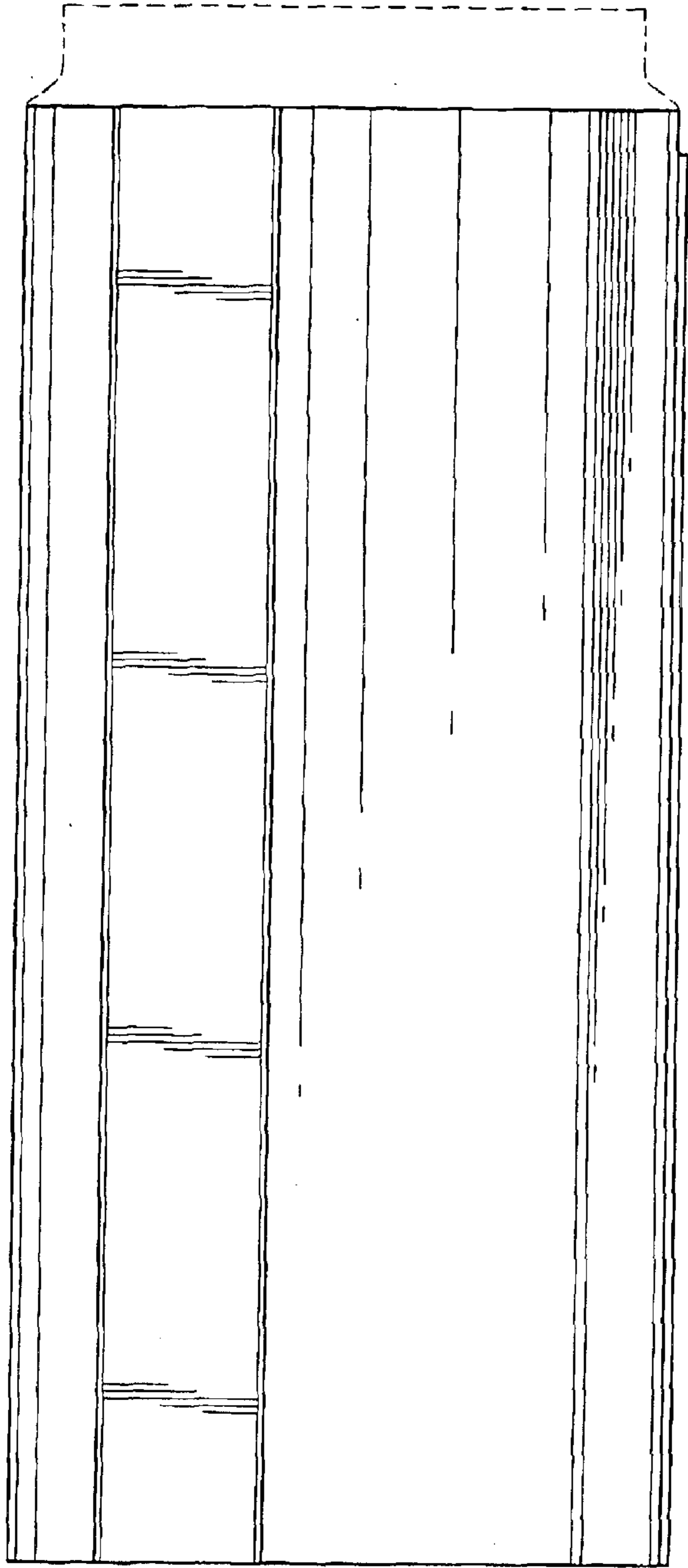


FIG. 6

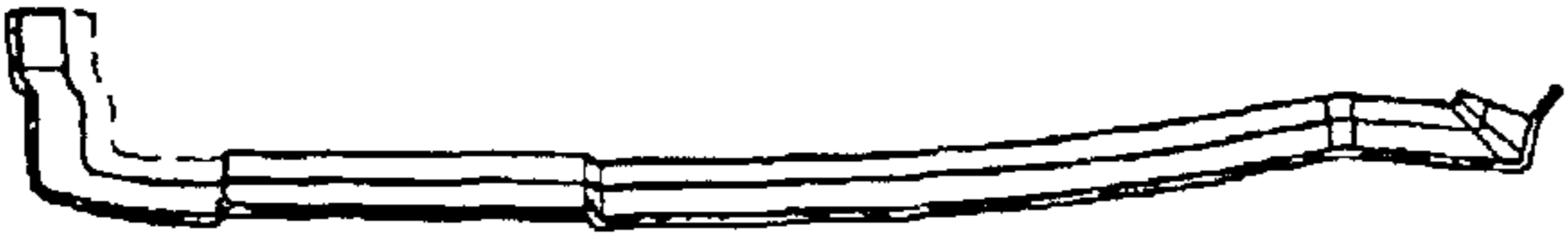


FIG. 7

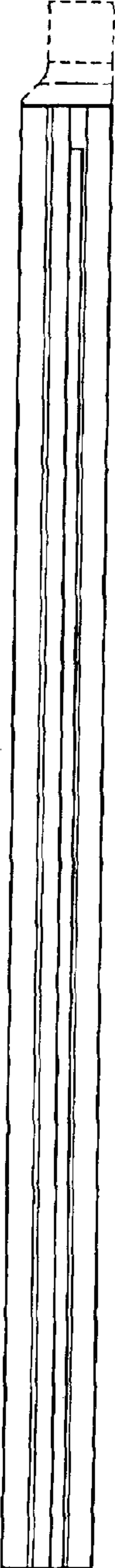


FIG. 8