

US00D496617S1

(12) **United States Design Patent** (10) **Patent No.:** **US D496,617 S**  
**Day et al.** (45) **Date of Patent:** **\*\* Sep. 28, 2004**

- (54) **DASHBOARD DISPLAY MOUNT**  
 (75) Inventors: **Gregory E. Day**, Great Falls, VA (US);  
**Dwight C. Green**, Ashburn, VA (US)  
 (73) Assignee: **Gauge Works, LLC**, Great Falls, VA  
 (US)  
 (\*\*) Term: **14 Years**  
 (21) Appl. No.: **29/199,389**  
 (22) Filed: **Feb. 13, 2004**  
 (51) **LOC (7) Cl.** ..... **12-16**  
 (52) **U.S. Cl.** ..... **D12/192**  
 (58) **Field of Search** ..... D12/192; 180/90;  
 280/750-752; 296/190-191, 70; D10/46,  
 102, 98, 122-127

(56) **References Cited**

**U.S. PATENT DOCUMENTS**

D195,783 S	*	7/1963	Woods	.....	D12/192
D413,294 S	*	8/1999	Lagaay	.....	D12/192
D436,565 S	*	1/2001	Tsay et al.	.....	D12/192
D440,925 S	*	4/2001	Pfeiffer	.....	D12/192
D461,437 S	*	8/2002	Hofmann et al.	.....	D12/192
D471,141 S	*	3/2003	Hofmann et al.	.....	D12/192
D476,276 S	*	6/2003	Day	.....	D12/192
D483,309 S	*	12/2003	Wyszogrod	.....	D12/192
D484,081 S	*	12/2003	Day	.....	D12/192
D486,435 S	*	2/2004	Day et al.	.....	D12/192

\* cited by examiner

*Primary Examiner*—Stacia Cadmus  
(74) *Attorney, Agent, or Firm*—Williams Mullen, P.C.;  
Thomas F. Bergert

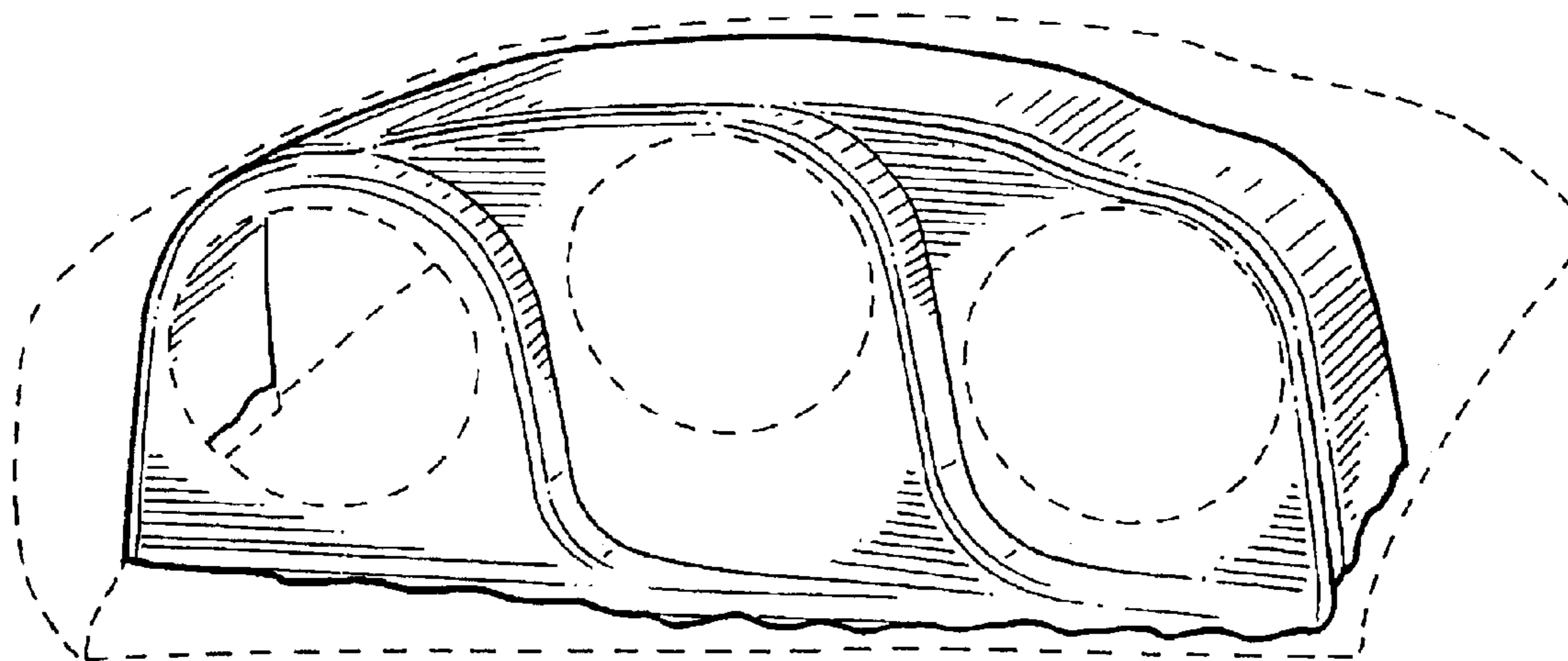
(57) **CLAIM**

The ornamental design for a dashboard display mount, as shown and described.

**DESCRIPTION**

FIG. 1 is a top right front perspective view of a dashboard display mount showing our new design.  
 FIG. 2 is a front elevational view of the dashboard display mount of FIG. 1;  
 FIG. 3 is a top plan view of the dashboard display mount of FIG. 1;  
 FIG. 4 is a bottom plan view of the dashboard display mount of FIG. 1;  
 FIG. 5 is a left side elevational view of the dashboard display mount of FIG. 1;  
 FIG. 6 is a right side elevational view of the dashboard display mount of FIG. 1; and,  
 FIG. 7 is a rear elevational view of the dashboard display mount of FIG. 1.  
 The broken line showing of a dashboard display mount cover, gauge displays and base extension is for illustrative purposes only and forms no part of the claimed design.

**1 Claim, 7 Drawing Sheets**



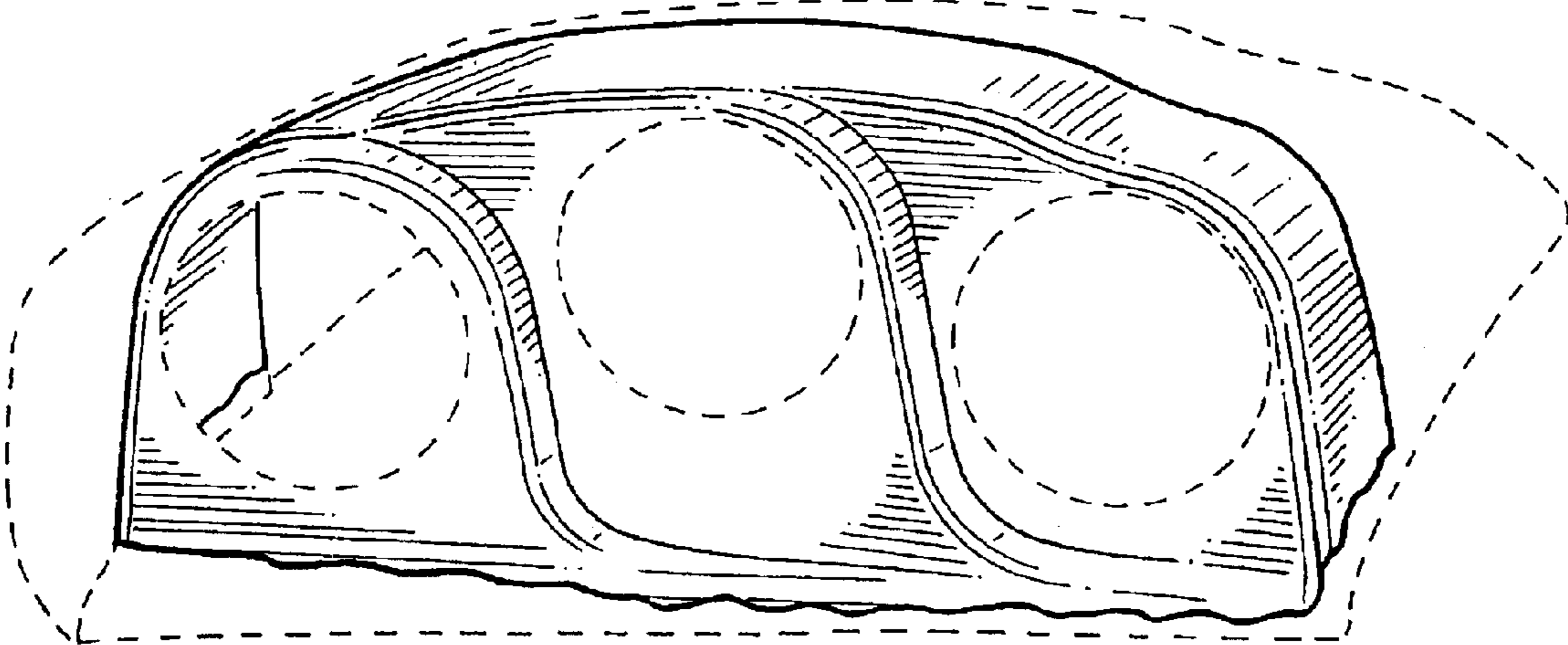


FIG. 1

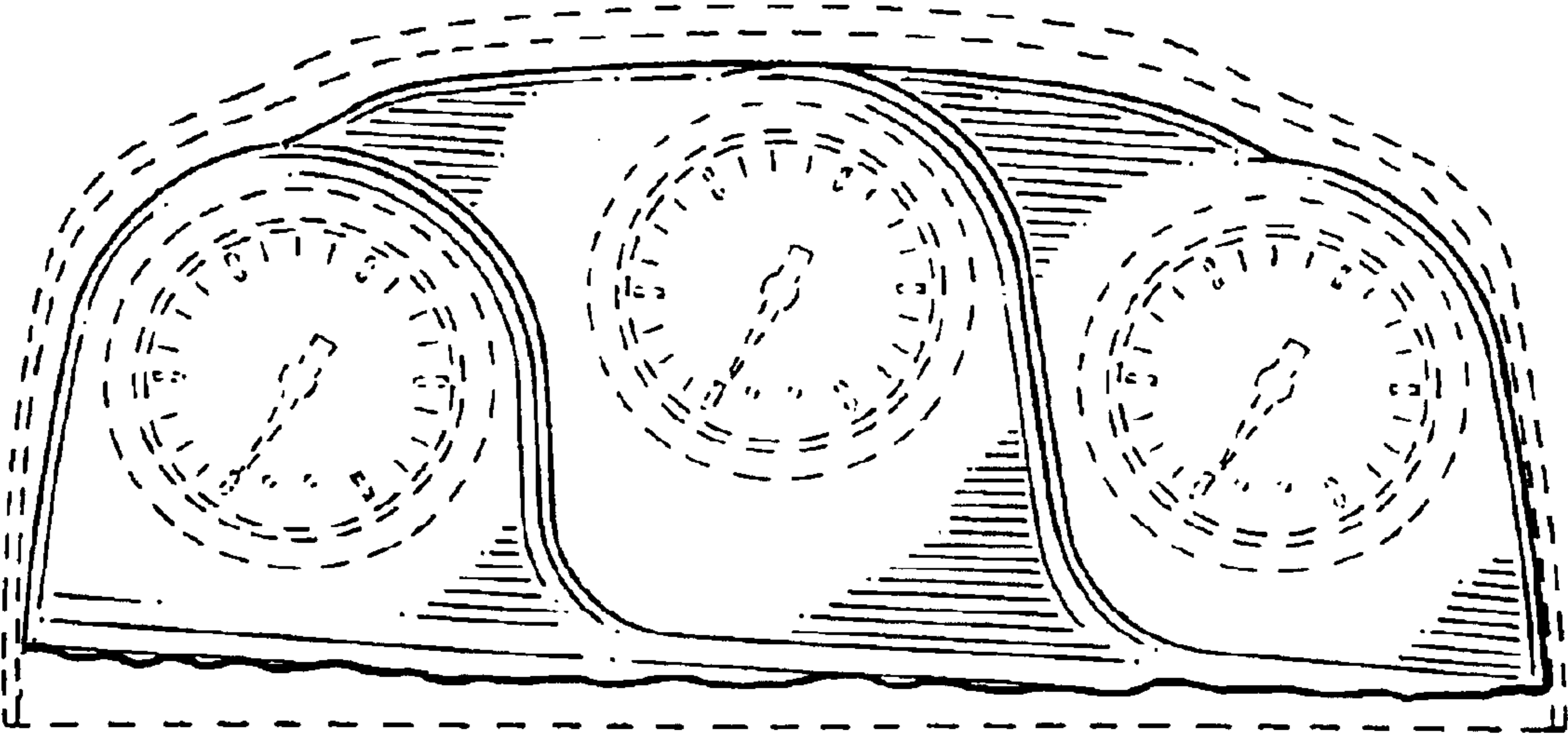


FIG. 2

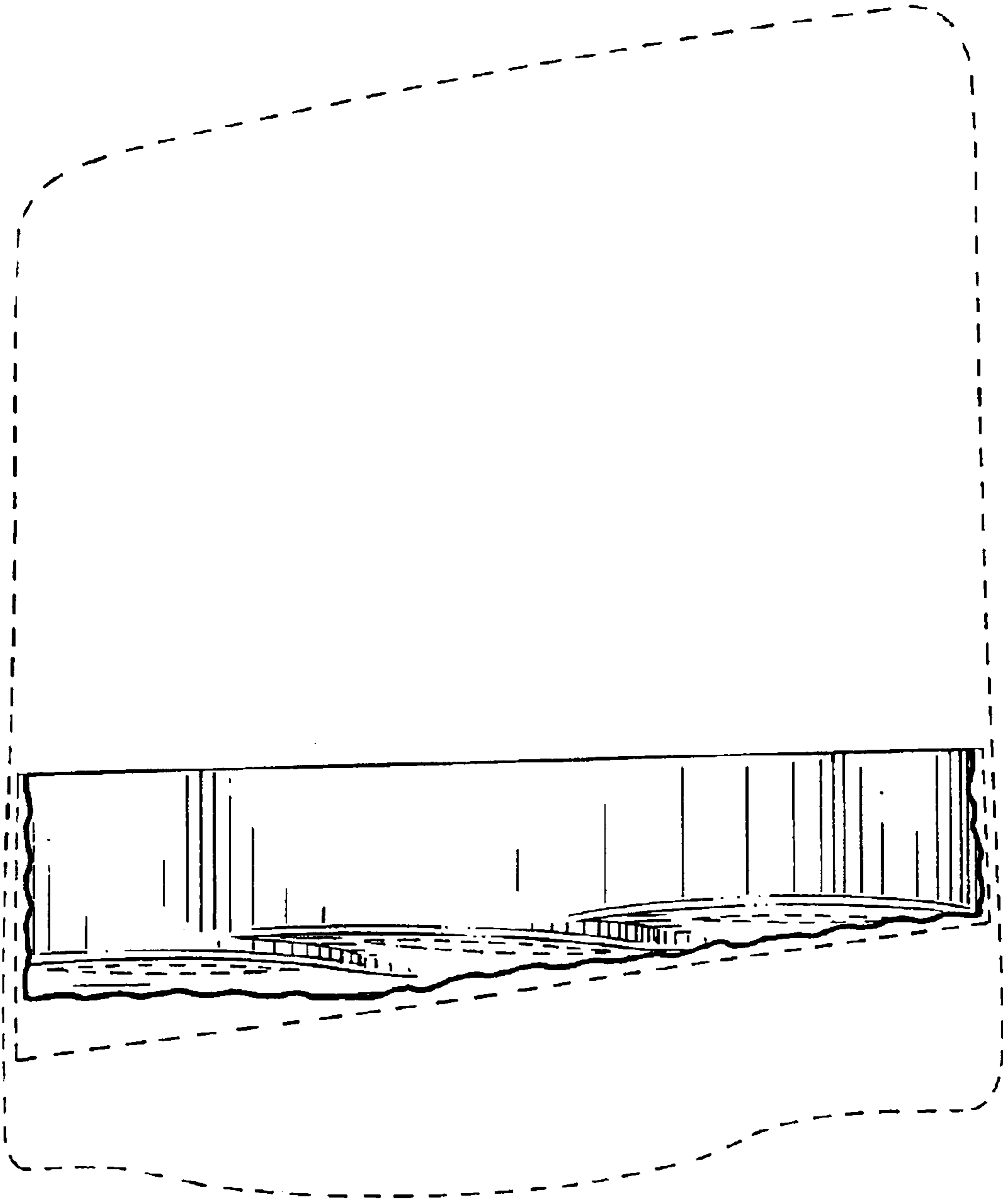


FIG. 3

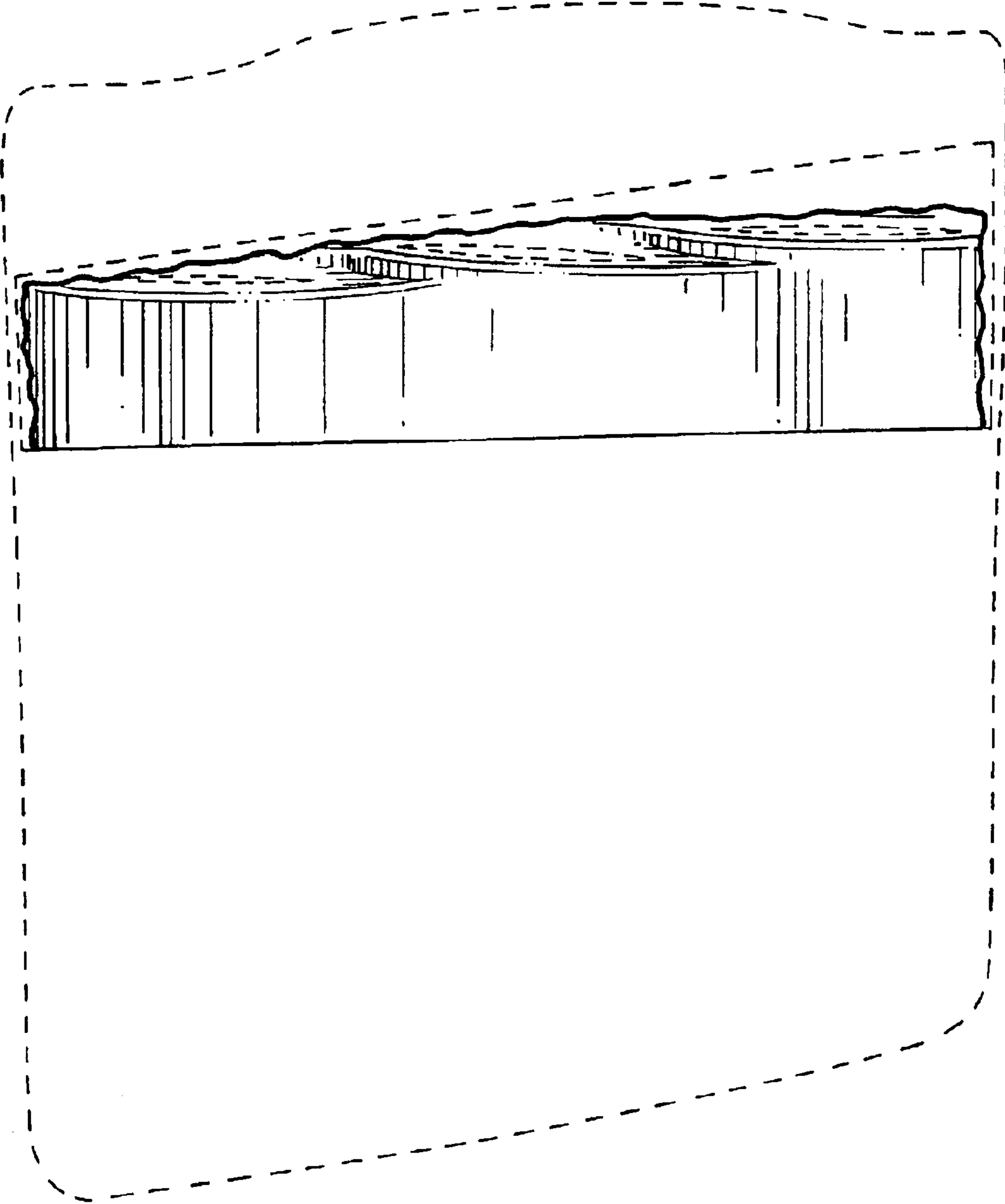


FIG.4

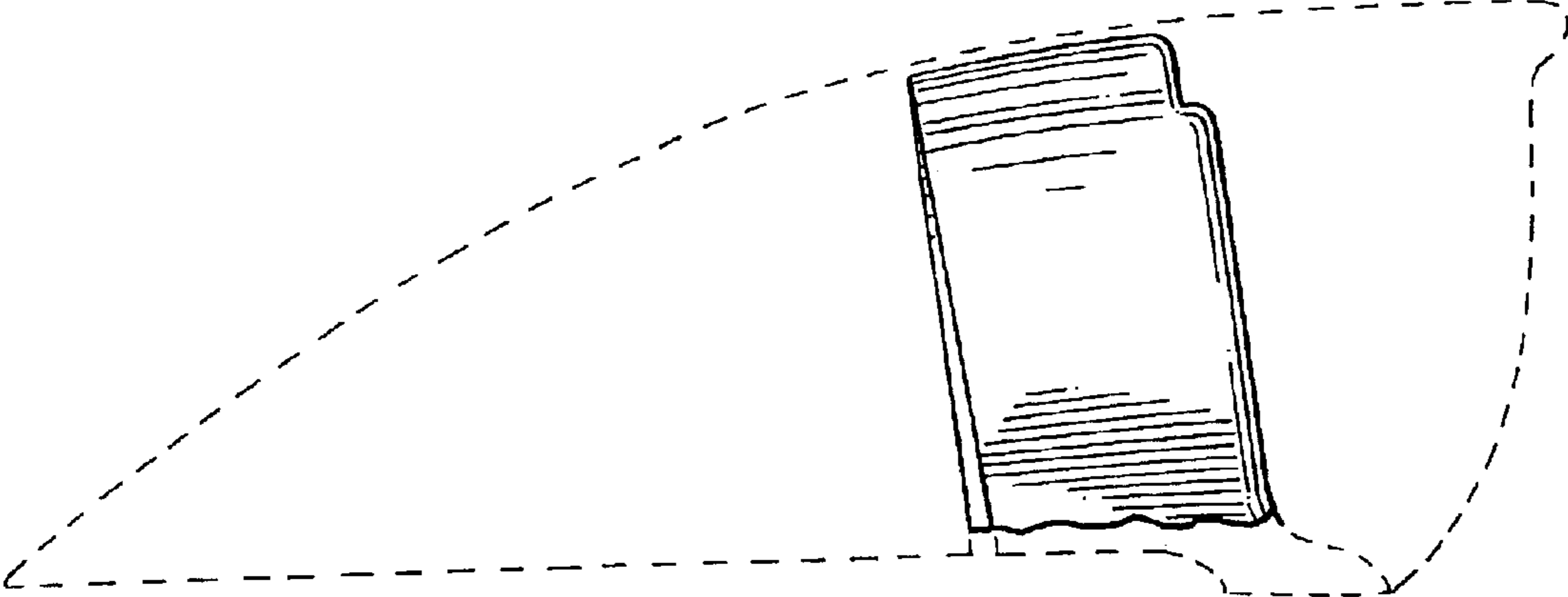


FIG. 5

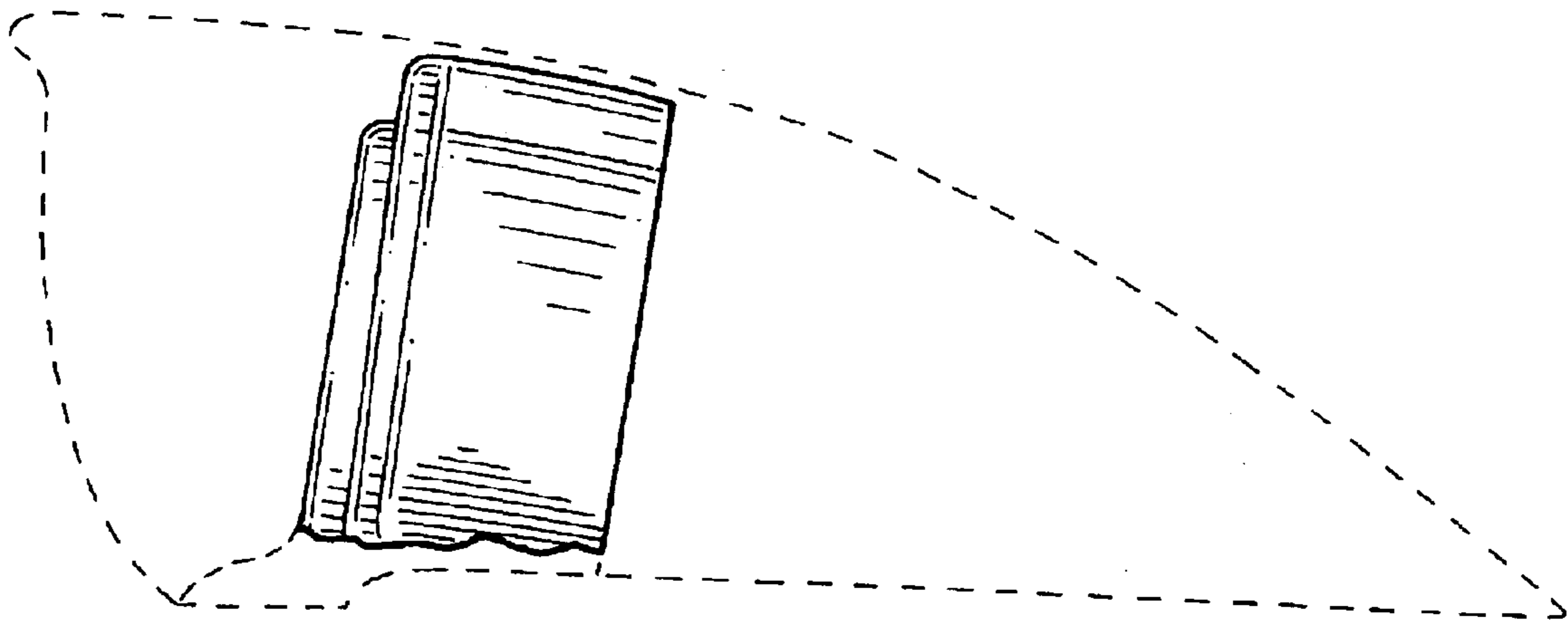


FIG.6

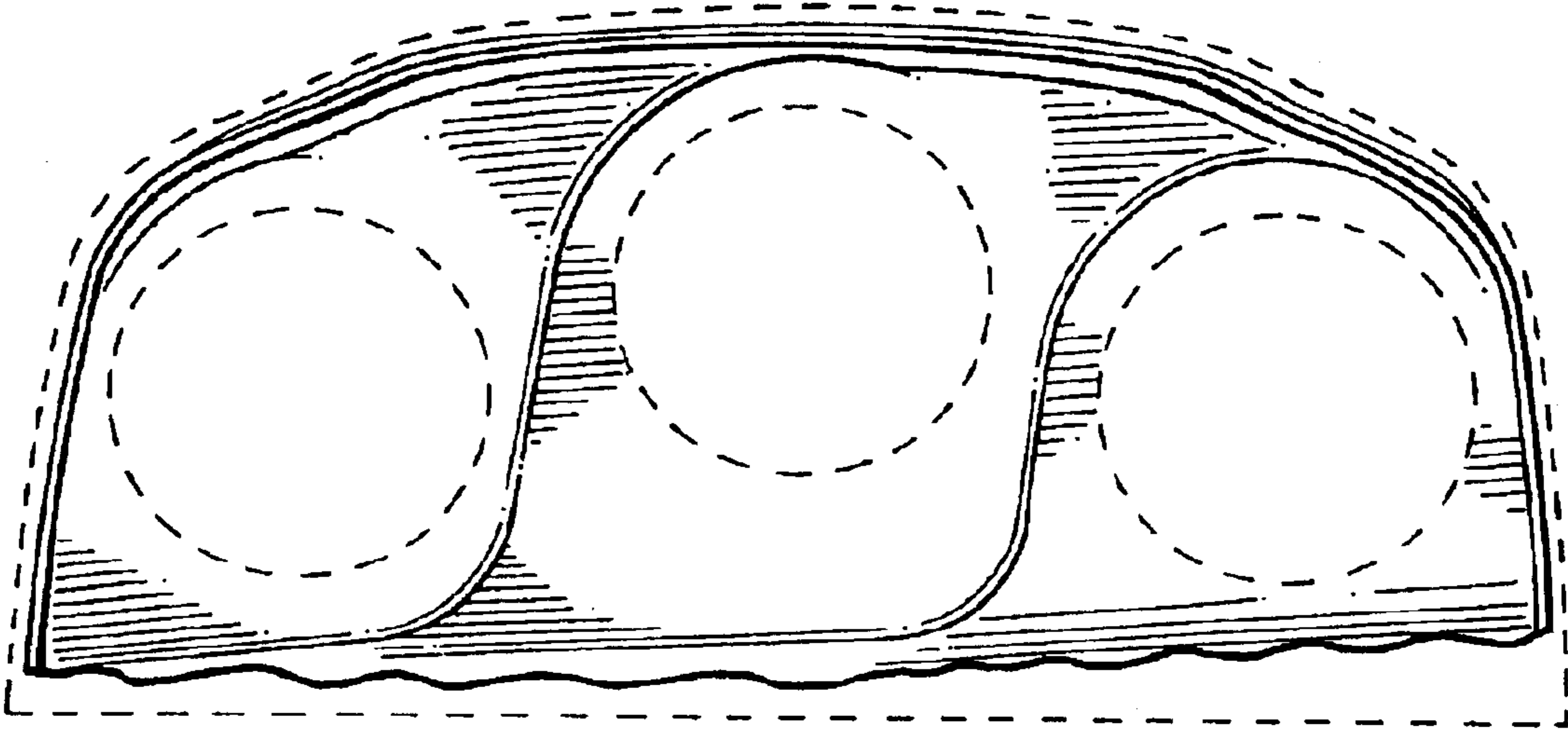


FIG. 7