

US00D496613S1

(12) **United States Design Patent**
Everitt et al.

(10) **Patent No.:** **US D496,613 S**
(45) **Date of Patent:** **** Sep. 28, 2004**

(54) **FRONT COWL AND LIGHT ASSEMBLY FOR A MOTORCYCLE**

(75) Inventors: **Stephen Everitt**, London (GB); **Clive Kilford**, London (GB); **Nicholas Carpenter**, London (GB)

(73) Assignee: **Brumby Corporation Limited**, Isle of Man (GB)

(**) Term: **14 Years**

(21) Appl. No.: **29/172,123**

(22) Filed: **Dec. 6, 2002**

(51) **LOC (7) Cl.** **12-16**

(52) **U.S. Cl.** **D12/182**

(58) **Field of Search** D12/110, 114,
D12/182-186; 180/68.1, 219, 229; 296/78.1,
206, 280.1

(56) **References Cited**

U.S. PATENT DOCUMENTS

D283,021 S * 3/1986 Abe et al. D12/182

6,276,482 B1 * 8/2001 Moriya et al. 180/229

* cited by examiner

Primary Examiner—Alan P. Douglas

Assistant Examiner—Linda Brooks

(74) *Attorney, Agent, or Firm*—Banner & Witcoff Ltd.

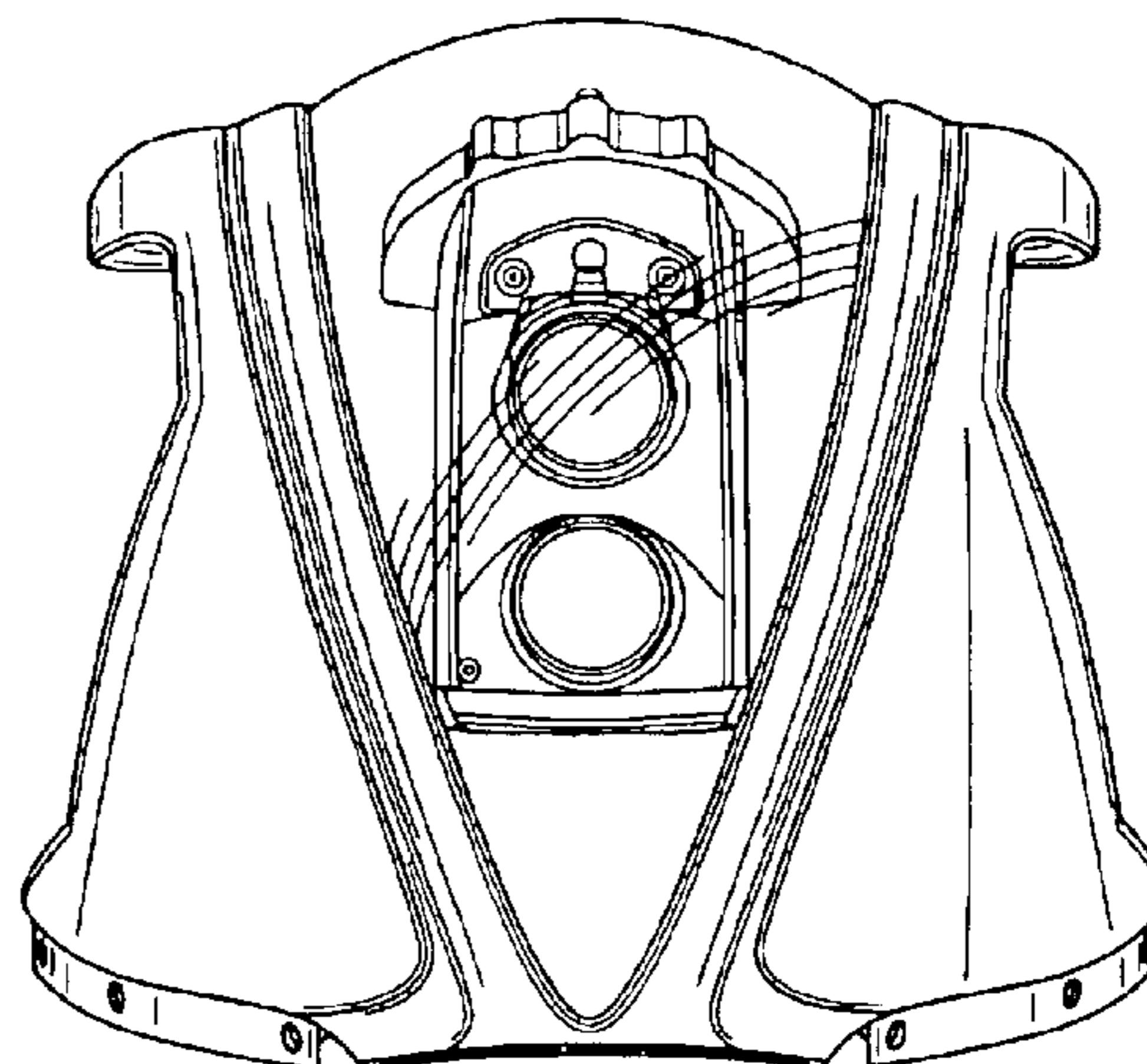
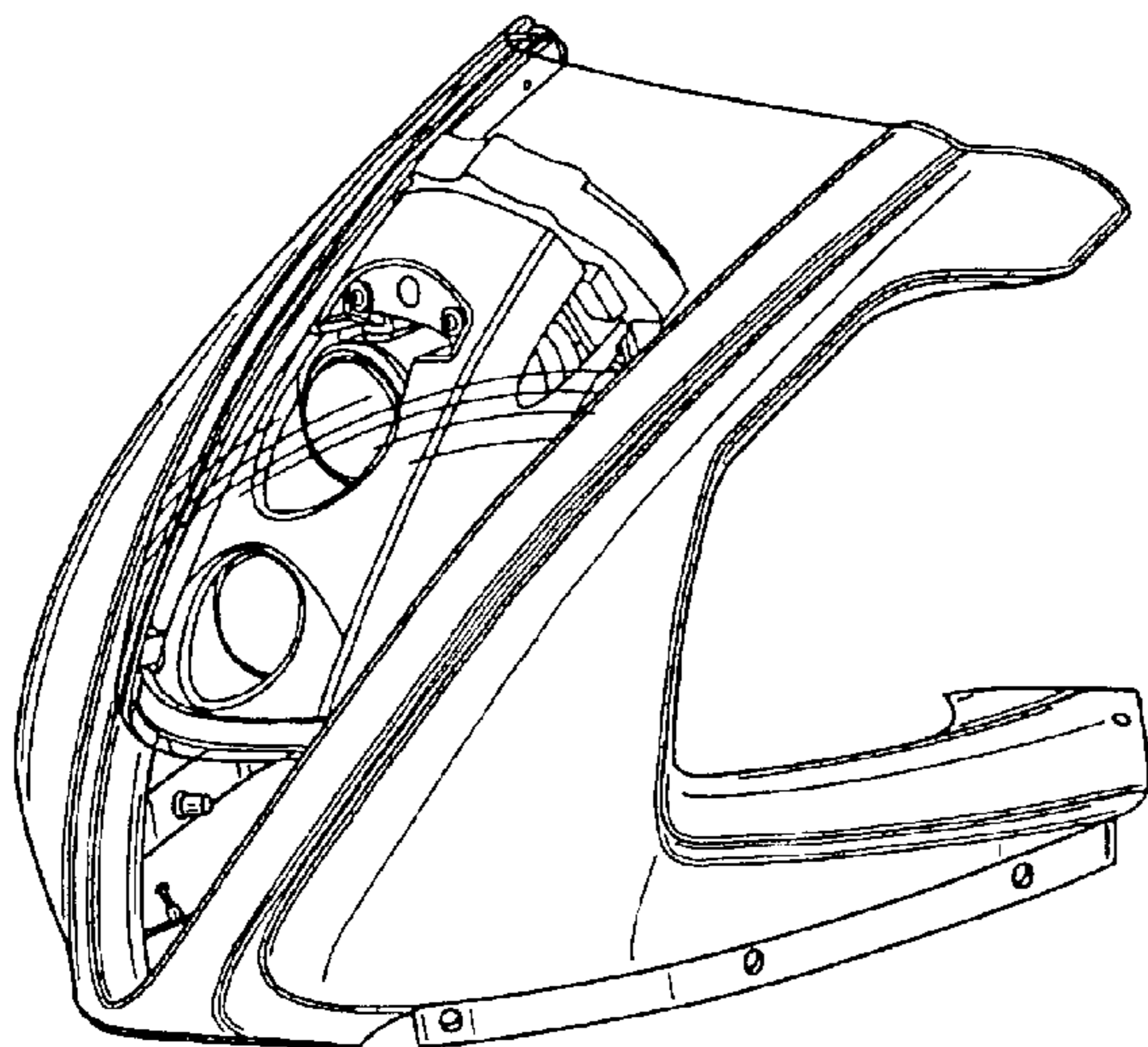
(57) **CLAIM**

The ornamental design for a front cowl and light assembly for a motorcycle, as shown and described.

DESCRIPTION

FIG. 1 is a front perspective view of a front cowl and light assembly for a motorcycle showing our new design; FIG. 2 is a side elevational view of one side thereof; FIG. 3 is a side elevational view of the other side thereof; FIG. 4 is a front elevational view thereof; FIG. 5 is a rear elevational view thereof; FIG. 6 is a top plan view thereof; and, FIG. 7 is a bottom plan view thereof.

1 Claim, 7 Drawing Sheets



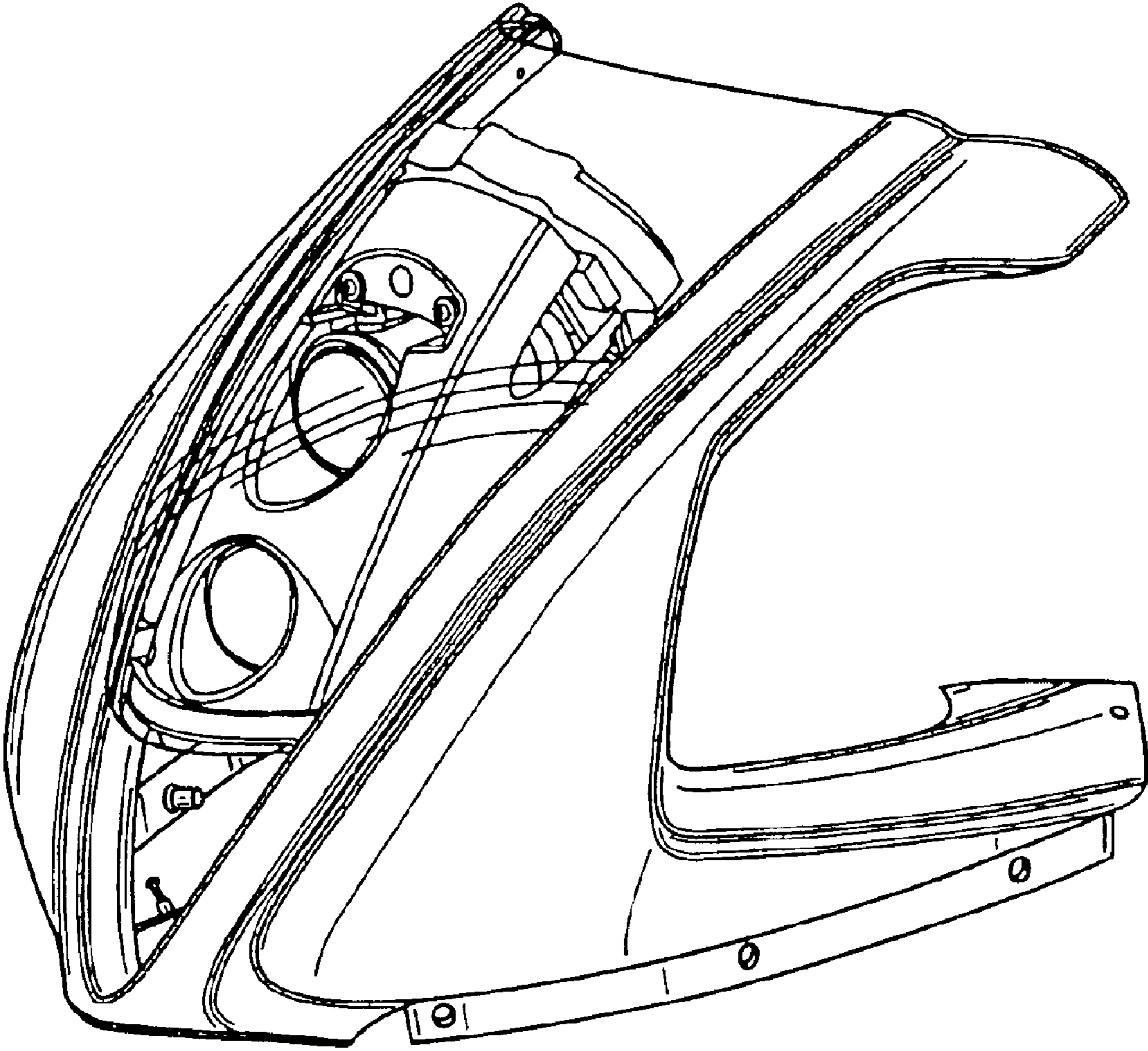


FIG. 1

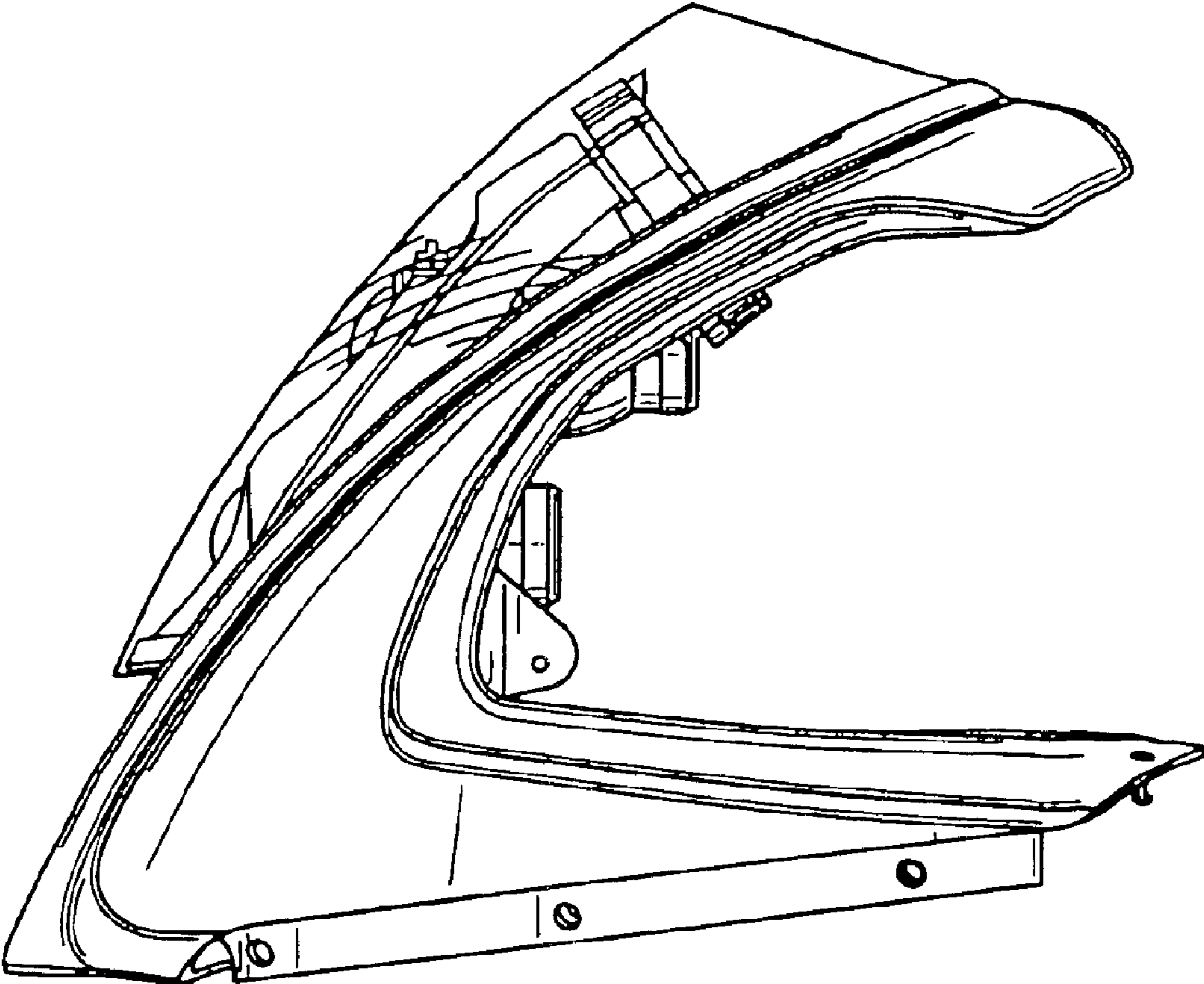


FIG. 2

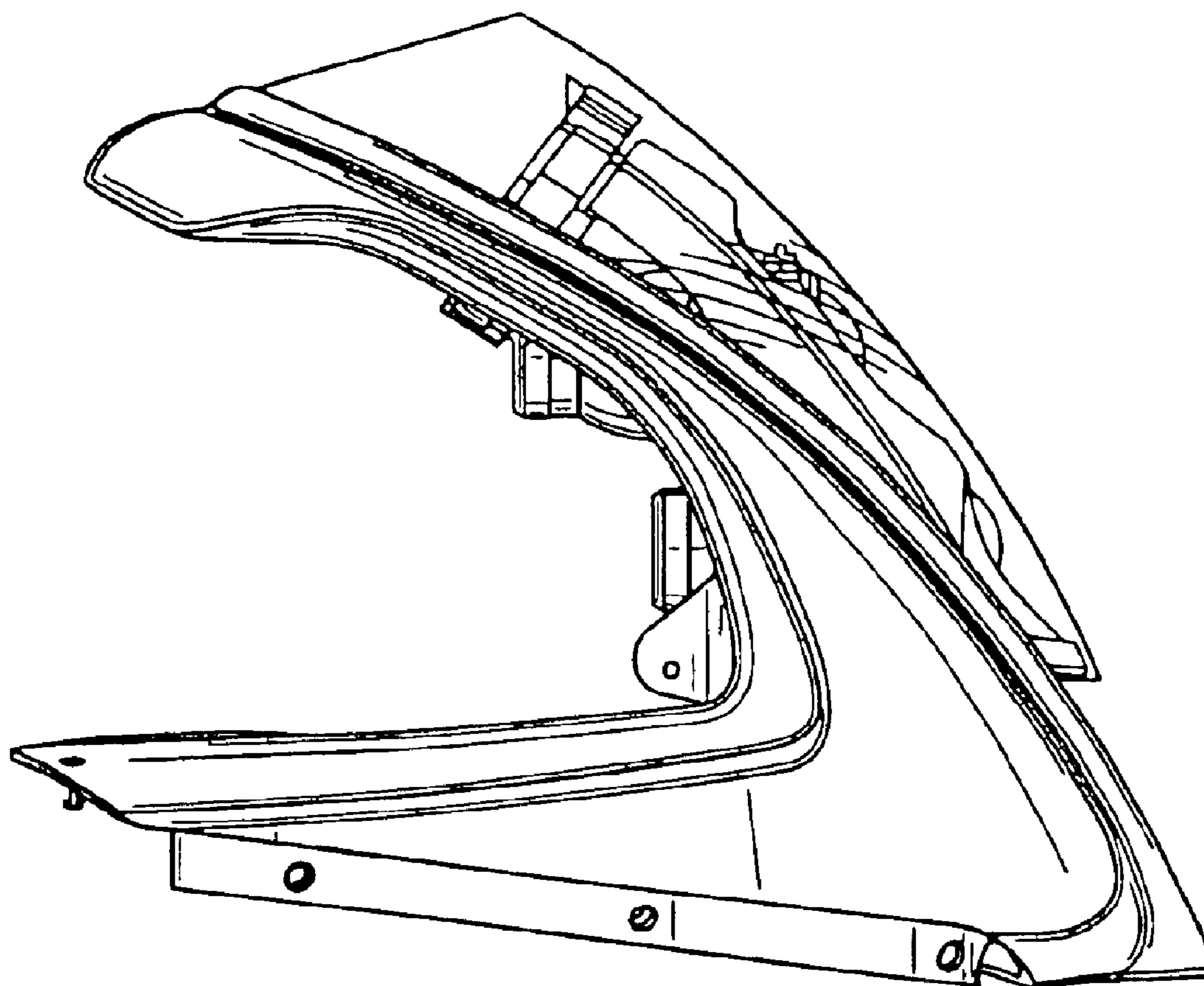


FIG. 3

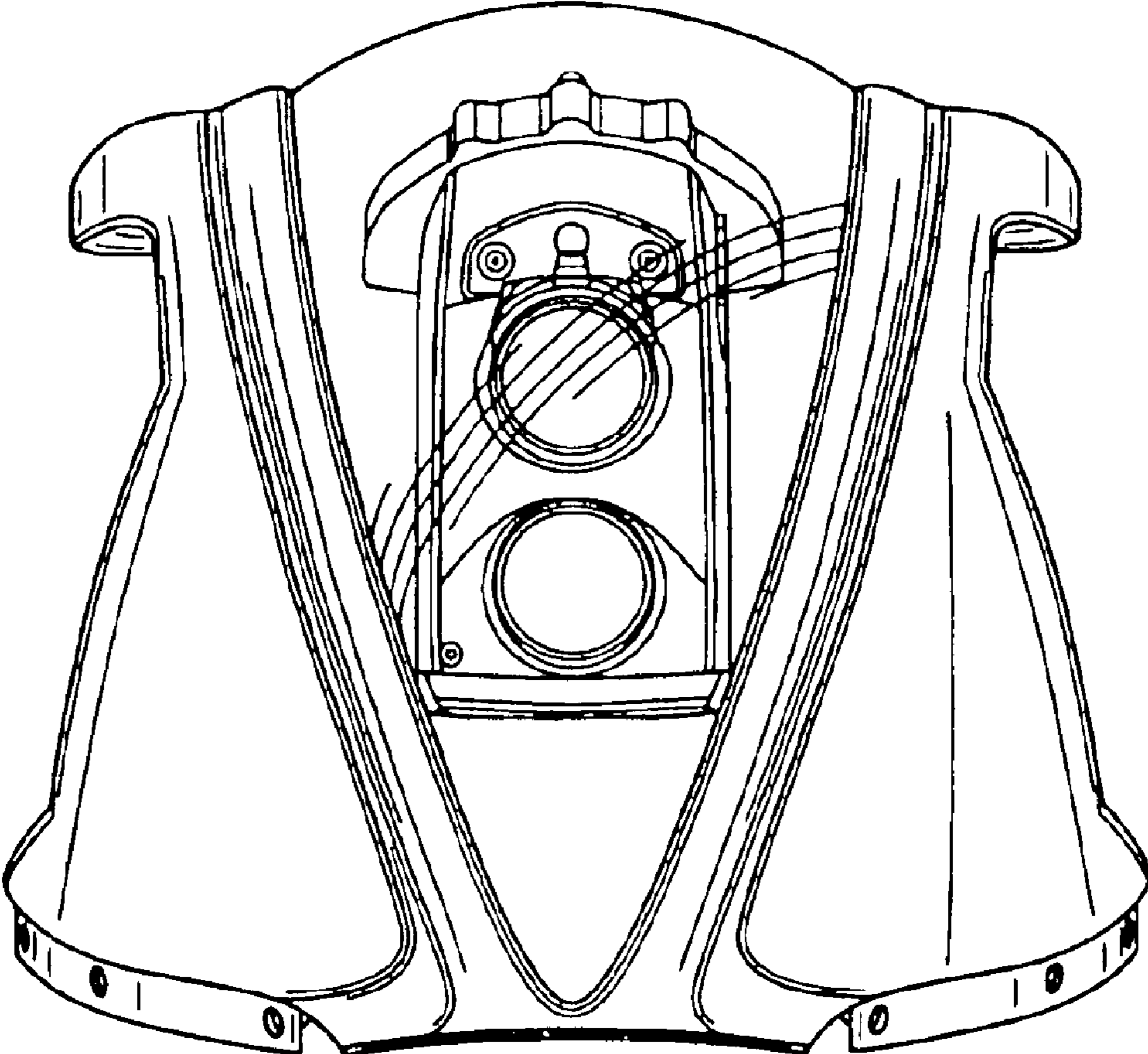


FIG. 4

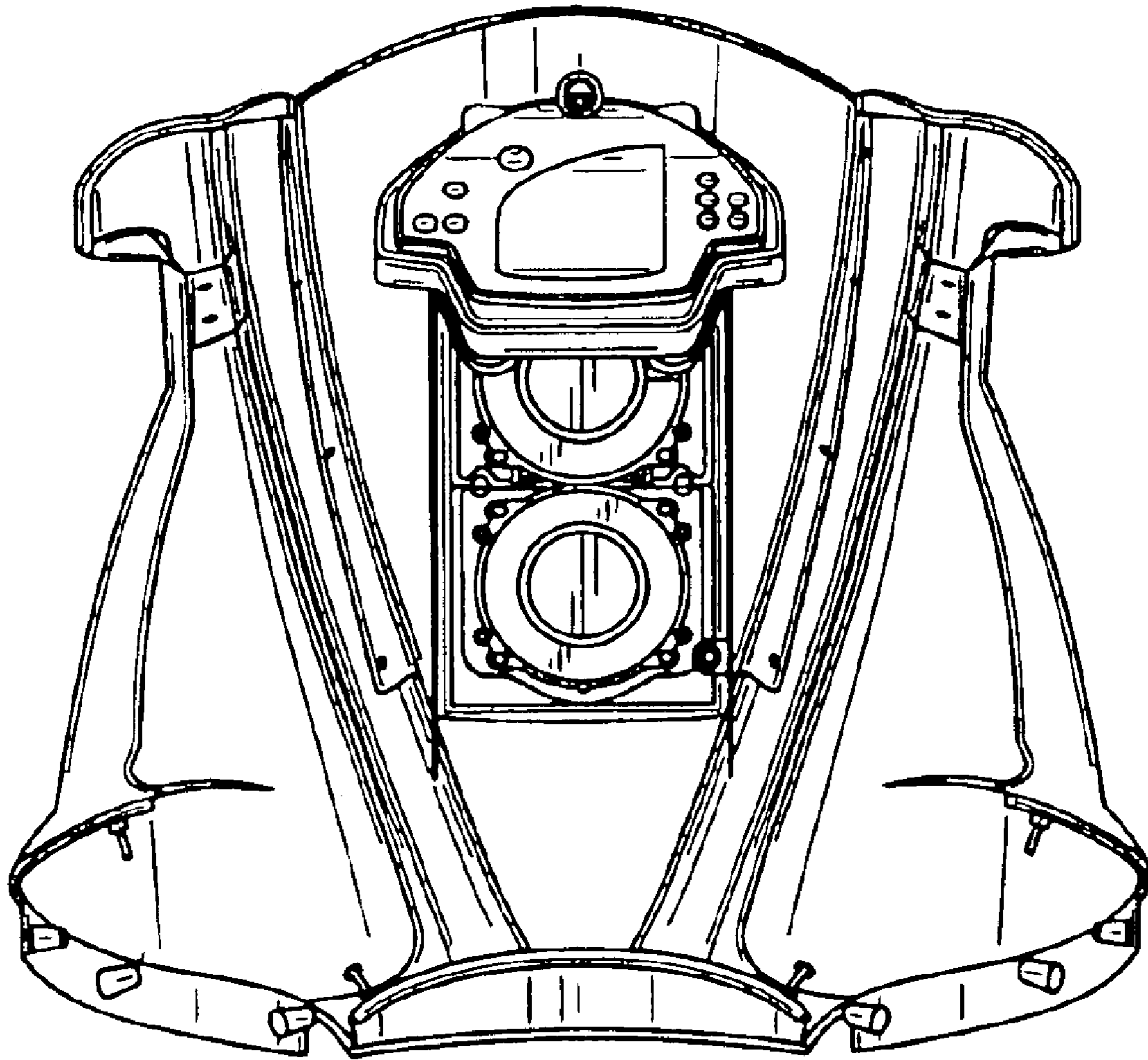


FIG. 5

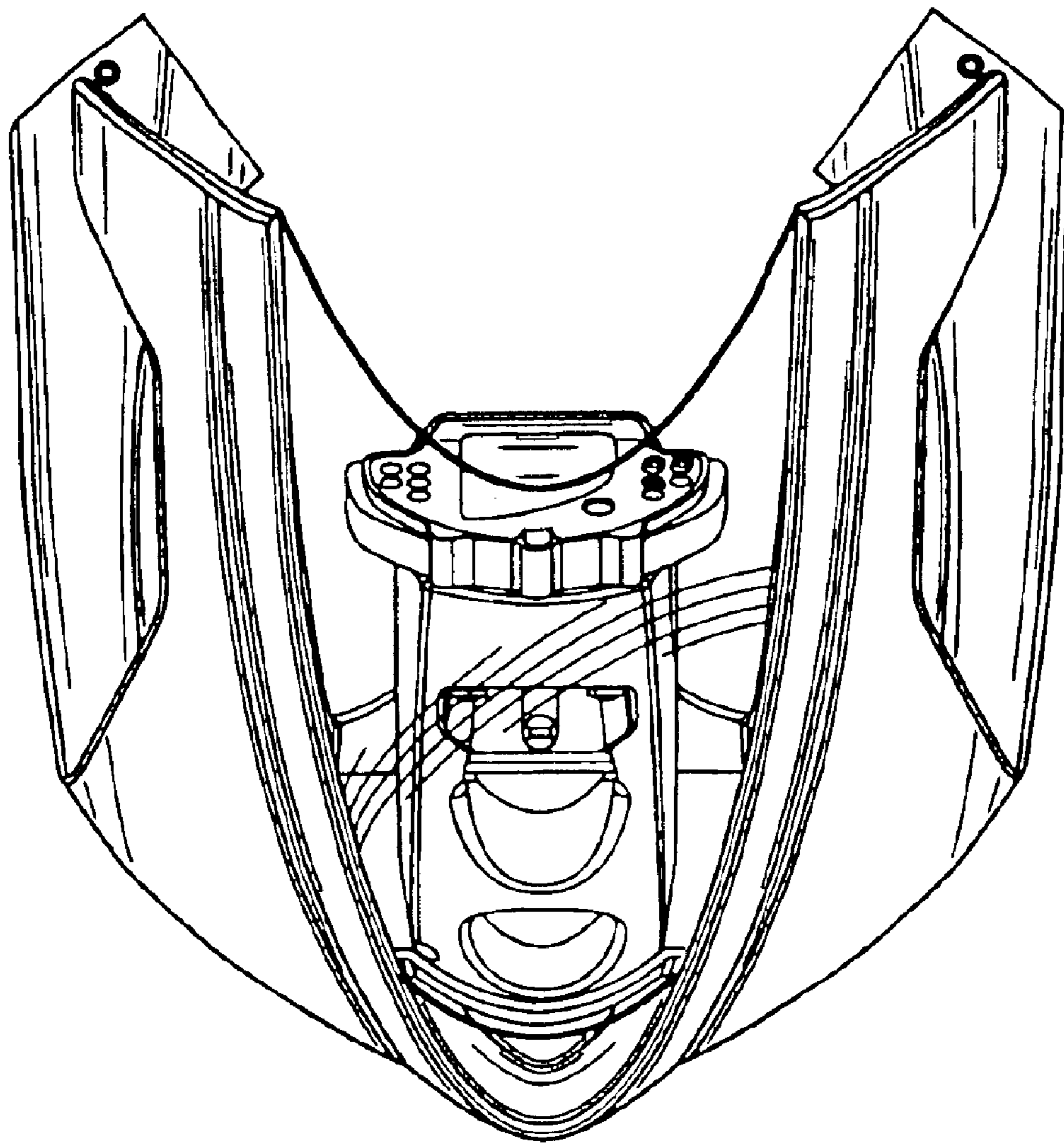


FIG. 6

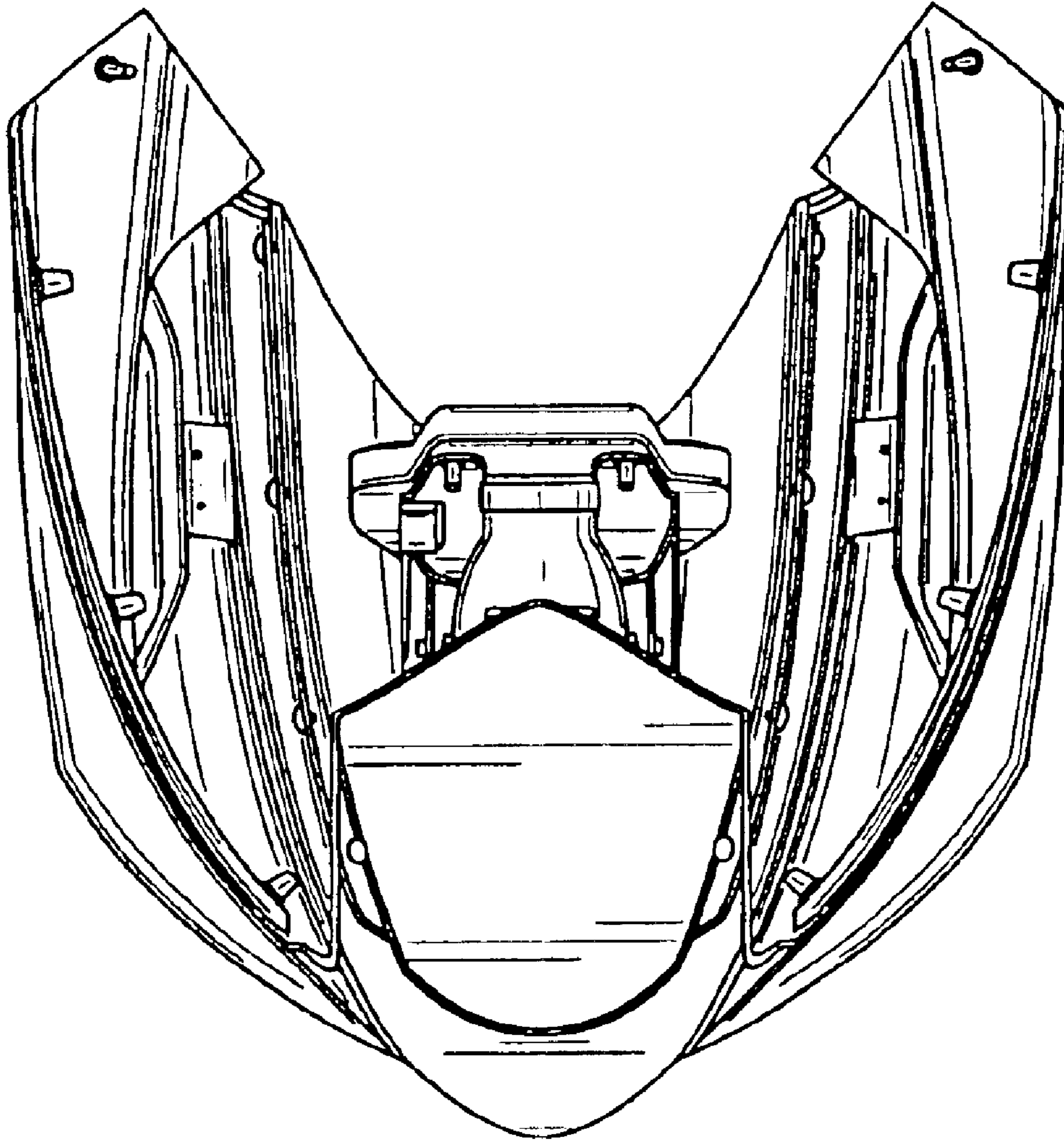


FIG. 7