

US00D496606S1

(12) **United States Design Patent**
Sanders, Jr.

(10) **Patent No.:** **US D496,606 S**

(45) **Date of Patent:** **** Sep. 28, 2004**

(54) **HOVERCRAFT WITH FORE AND AFT THRUSTERS AND WINGLETS**

(75) **Inventor:** **John K. Sanders, Jr.,** Costa Mesa, CA (US)

(73) **Assignee:** **UFOZ, LLC,** Oahu, HI (US)

(**) **Term:** **14 Years**

(21) **Appl. No.:** **29/190,971**

(22) **Filed:** **Sep. 29, 2003**

(51) **LOC (7) Cl.** **12-14**

(52) **U.S. Cl.** **D12/5**

(58) **Field of Search** D12/5, 2-4, 324-330; 180/116-117, 120, 126; 244/23 A, 23 C, 17.23

(56) **References Cited**

U.S. PATENT DOCUMENTS

D183,816 S	*	10/1958	Simmons	D12/4
D187,625 S	*	4/1960	Postelson	D12/4
2,955,780 A	*	10/1960	Hulbert	244/23 R
2,968,453 A	*	1/1961	Bright	244/12.5
3,039,550 A	*	6/1962	Beardsley	180/129
3,066,753 A	*	12/1962	Hurley et al.	180/120
3,209,848 A	*	10/1965	Holloway	180/121
D216,842 S	*	3/1970	Bertelsen	D12/5
3,507,462 A	*	4/1970	Stefan	244/31
3,556,438 A	*	1/1971	Meditz	244/4 A
3,656,575 A	*	4/1972	Vryland	180/120
3,827,527 A	*	8/1974	Bertelsen	180/120

D243,837 S	*	3/1977	Adams	D12/330
4,043,421 A	*	8/1977	Smith	180/117
D292,194 S	*	10/1987	Moller	D12/5
4,828,058 A	*	5/1989	Bjorn-Ake	180/116
4,880,071 A	*	11/1989	Tracy	180/117
D473,161 S	*	4/2003	Inkster	D12/5

* cited by examiner

Primary Examiner—Nelson C. Holtje

(74) *Attorney, Agent, or Firm*—Leighton K. Chong; Ostrager Chong & Flaherty (Hawaii)

(57) **CLAIM**

The ornamental design for the hovercraft with fore and aft thrusters and winglets, as shown and described.

DESCRIPTION

FIG. 1 is a plan view of my new design for a hovercraft with fore and aft thrusters and winglets;

FIG. 2 is a right side elevation view of the hovercraft design shown in FIG. 1;

FIG. 3 is a bottom view of the hovercraft design shown in FIG. 1;

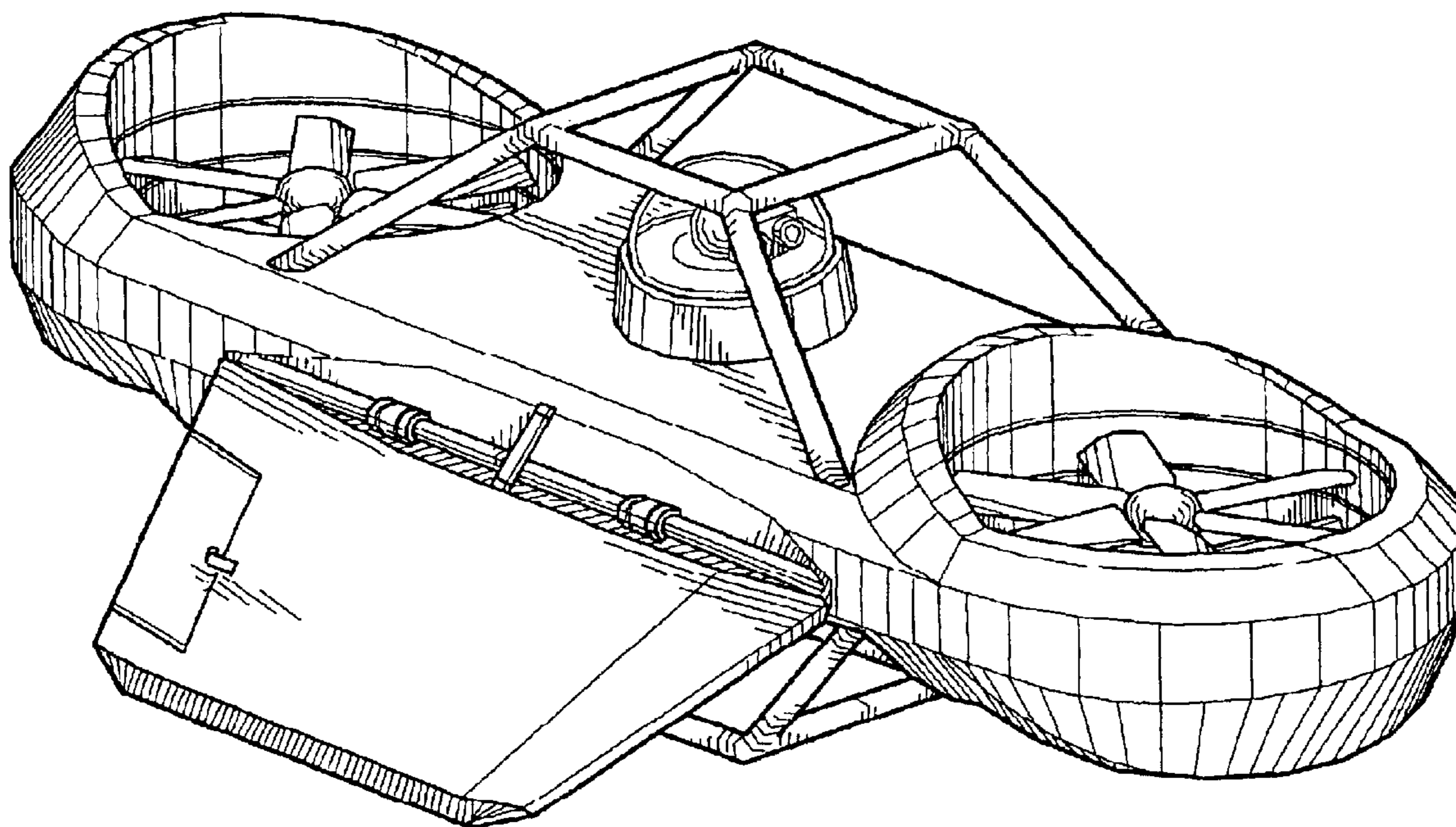
FIG. 4 is a rear view of the hovercraft design shown in FIG. 1;

FIG. 5 is a front view of the hovercraft design shown in FIG. 1;

FIG. 6 is a bottom perspective view of the hovercraft design shown in FIG. 1; and,

FIG. 7 is a top perspective view of the hovercraft design shown in FIG. 1.

1 Claim, 3 Drawing Sheets



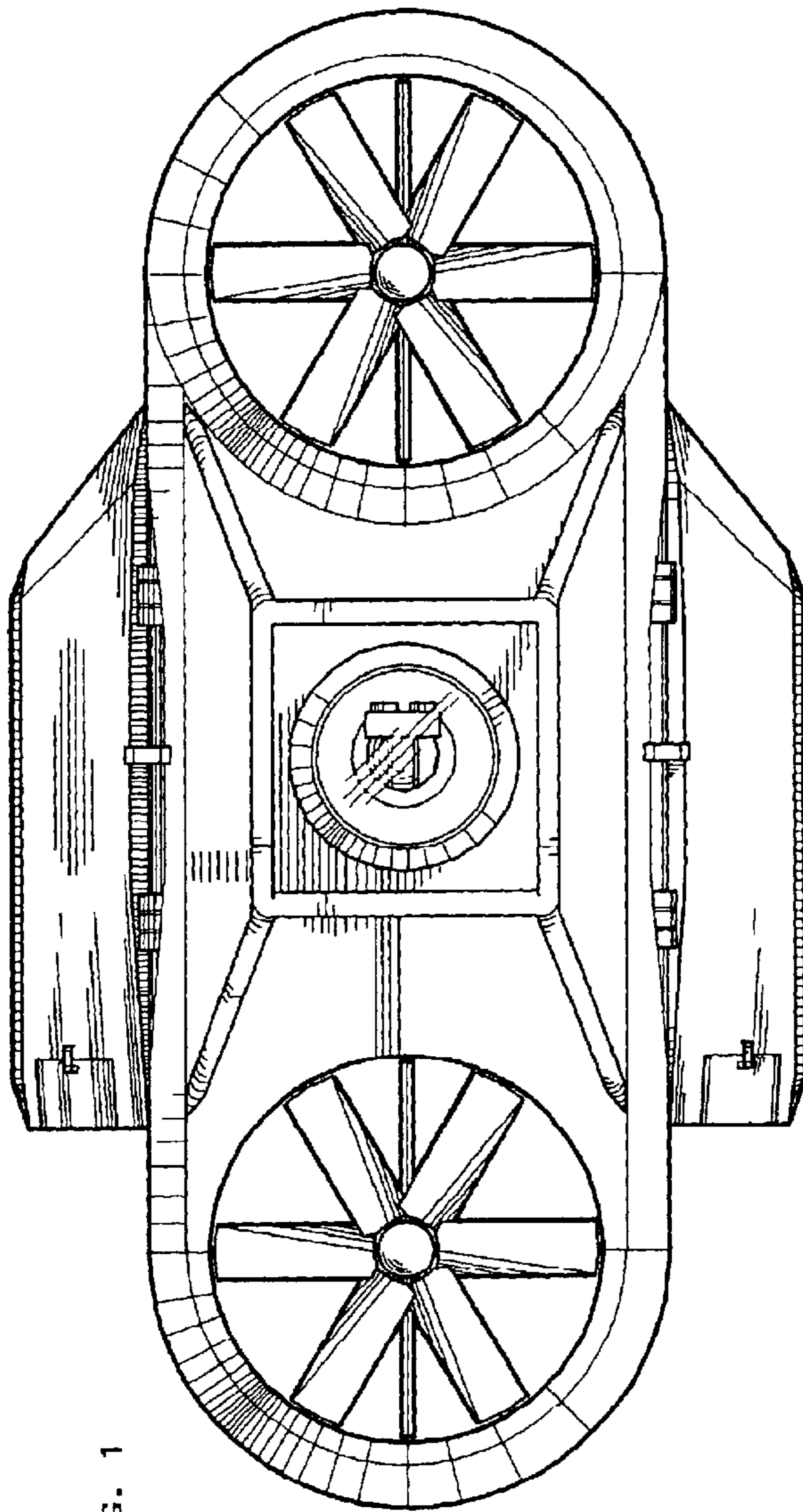


FIG. 1

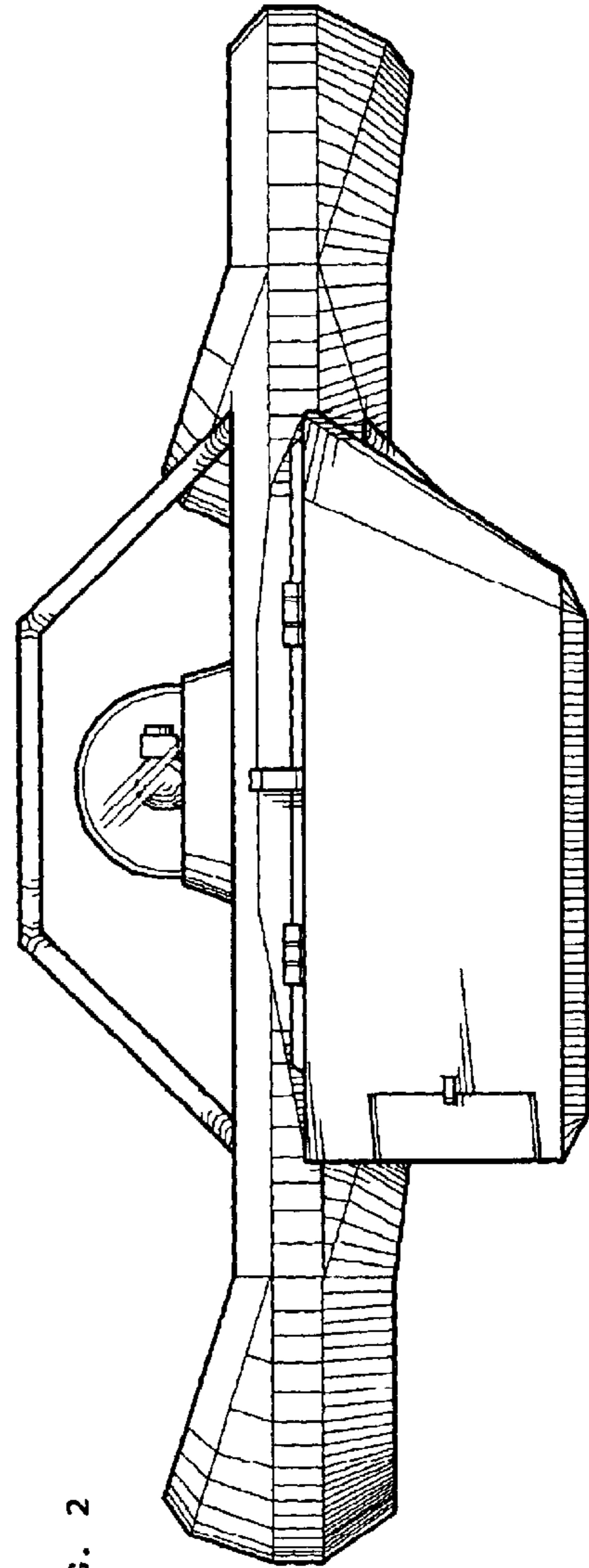


FIG. 2

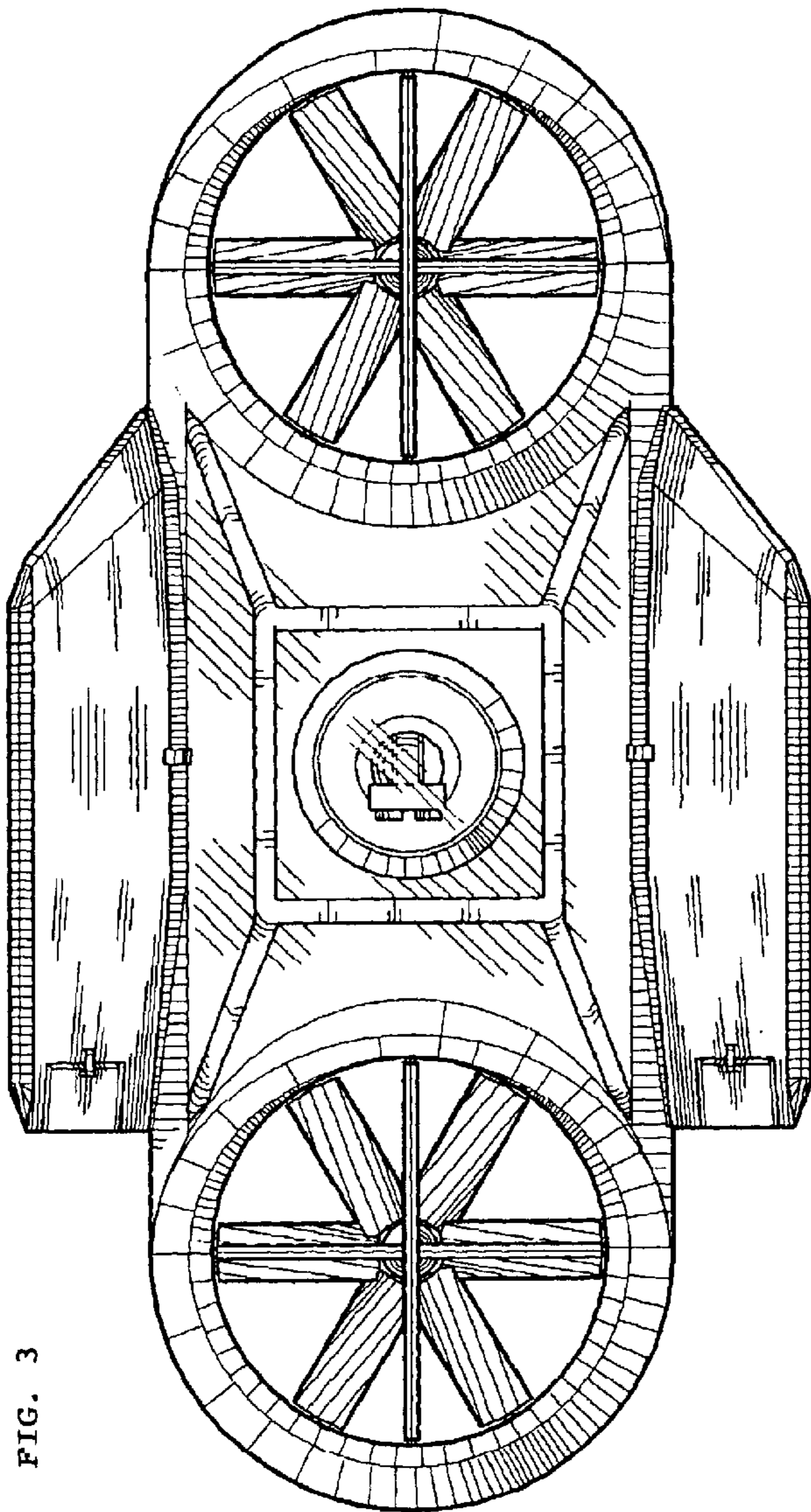


FIG. 3

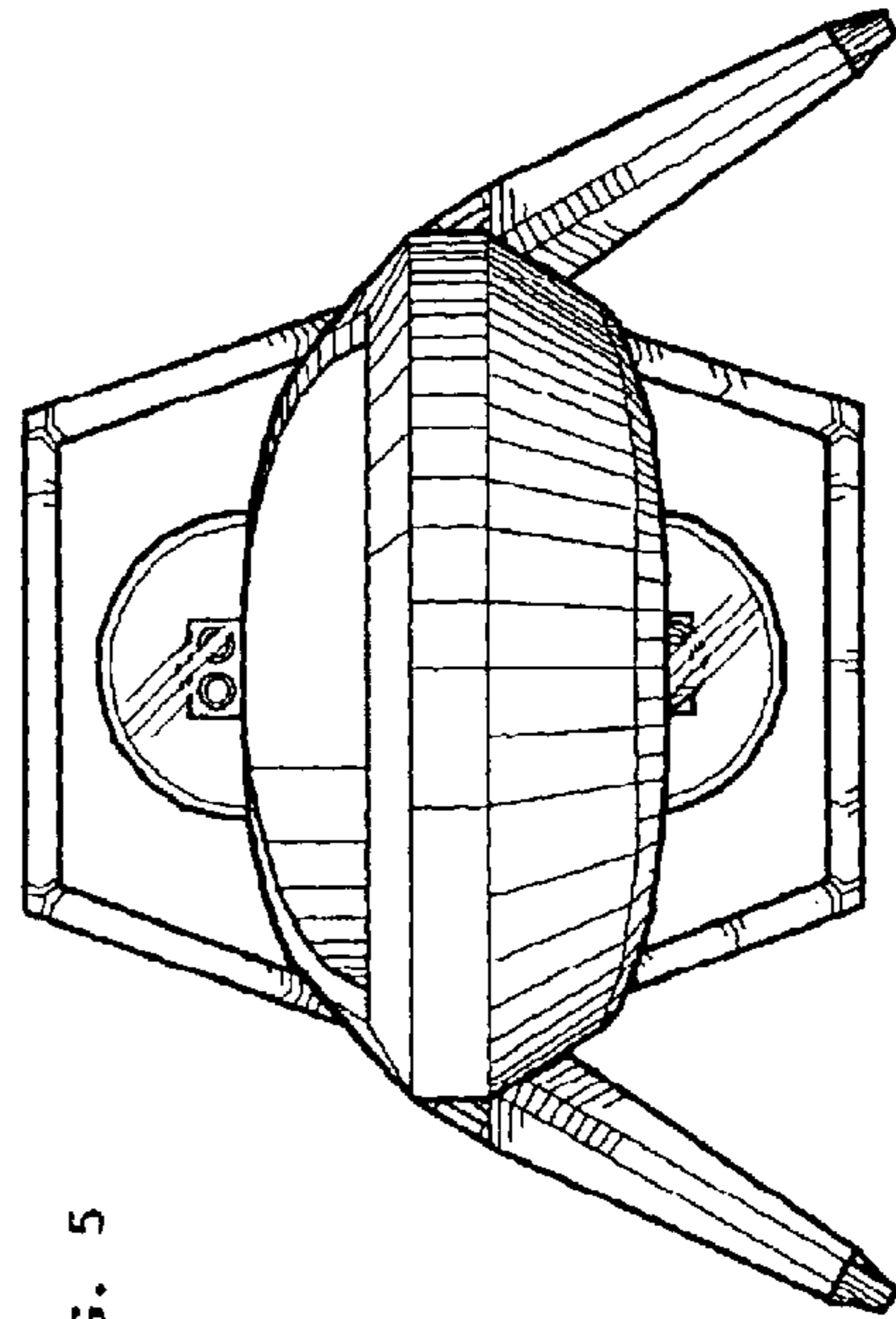


FIG. 5

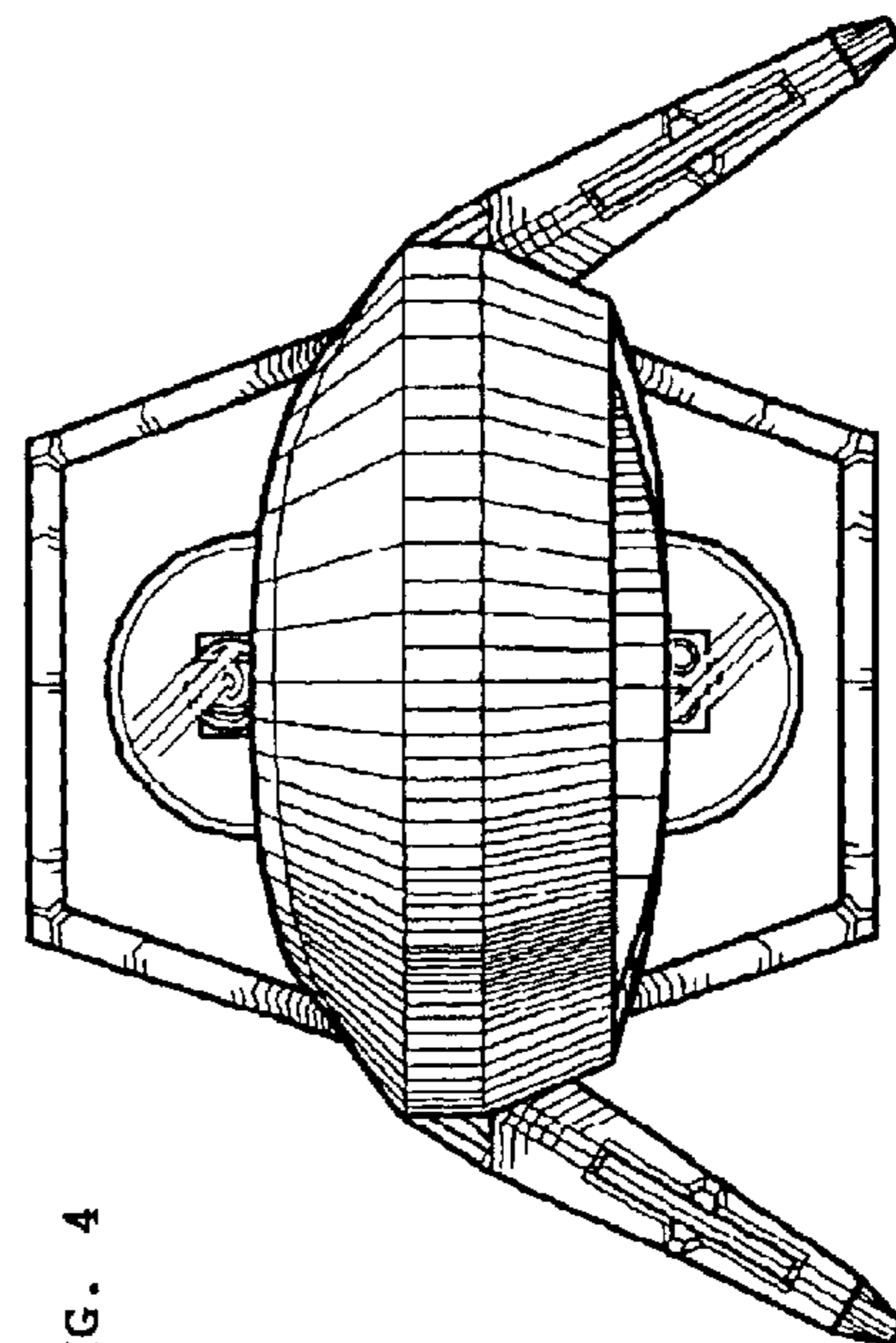


FIG. 4

FIG. 6

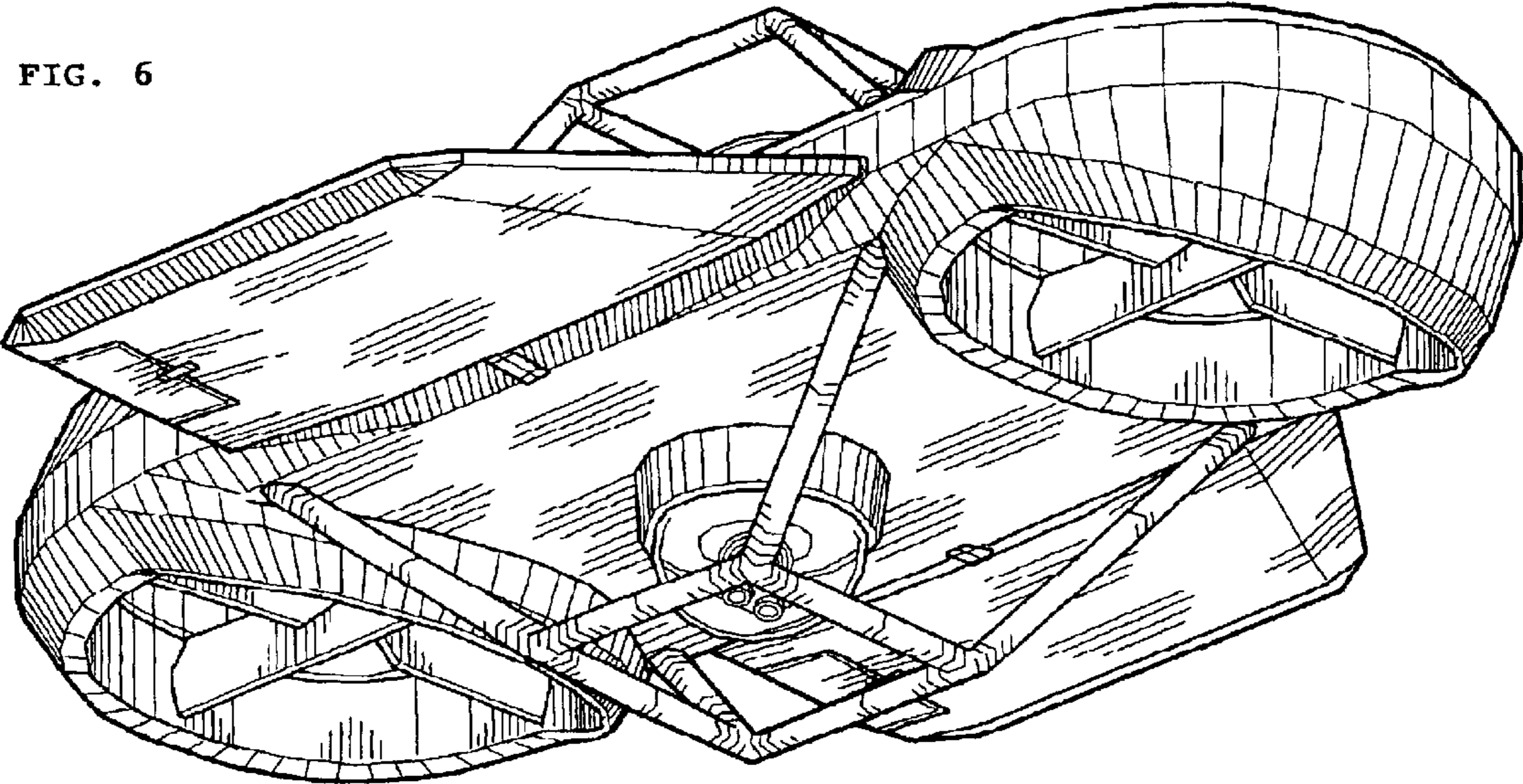


FIG. 7

