

US00D496601S1

(12) **United States Design Patent** (10) **Patent No.:** **US D496,601 S**
Song (45) **Date of Patent:** **** Sep. 28, 2004**

(54) **SUCTION TESTER FOR VACUUM CLEANER**

Primary Examiner—Ruth McInroy

(75) **Inventor:** **Sung-Uk Song**, Seoul (KR)

(74) *Attorney, Agent, or Firm*—R. Neil Sudol; Henry D. Coleman; William J. Sapone

(73) **Assignee:** **Conet Industries Inc.**, Seoul (KR)

(57) **CLAIM**

(**) **Term:** **14 Years**

The ornamental design for the suction tester for vacuum cleaner, as shown and described.

(21) **Appl. No.:** **29/188,053**

(22) **Filed:** **Aug. 12, 2003**

DESCRIPTION

(51) **LOC (7) Cl.** **10-04**

FIG. 1 is a top, front and right side perspective view of a suction tester for vacuum cleaner, showing my new design;

(52) **U.S. Cl.** **D10/83**

FIG. 2 is a front elevational view thereof;

(58) **Field of Search** D32/25, 30–31,

FIG. 3 is a rear elevational view thereof;

D32/17–18, 21–23; 10/46, 83; 15/344, 329, 347, 320, 350–353, 402, 361, 339; 55/DIG. 3, 472, 459.1, 429, 486, 487, 503; 96/337

FIG. 4 is a left side elevational view thereof;

FIG. 5 is a right side elevational view thereof;

FIG. 6 is a top plan view thereof;

FIG. 7 is a bottom plan view thereof;

(56) **References Cited**

U.S. PATENT DOCUMENTS

2,293,920	A	*	8/1942	Replogle	406/36
2,351,068	A	*	6/1944	Replogle	406/36
2,353,621	A	*	7/1944	Replogle	406/36
D178,199	S		7/1956	Martinec		
D260,151	S		8/1981	Martinec		
D333,441	S	*	2/1993	Greene	D10/81
6,101,670	A	*	8/2000	Song	15/339
6,149,703	A	*	11/2000	Parker	55/502
D436,544	S	*	1/2001	Song	D10/83
6,332,239	B1	*	12/2001	Dubos et al.	15/353
6,467,123	B1	*	10/2002	Di Nunzio et al.	15/339

FIG. 8 is a top plan view in open configuration;

FIG. 9 is a top, front and right side perspective view in open configuration;

FIG. 10 is a front elevational view thereof, showing the method of attachment to a vacuum cleaner; and,

FIG. 11 is a sectional view thereof, taken along lines 11—11 in FIG. 6.

The broken line showing of a vacuum cleaner in FIG. 10 is for illustrative purposes only and forms no part of the claimed design.

* cited by examiner

1 Claim, 8 Drawing Sheets

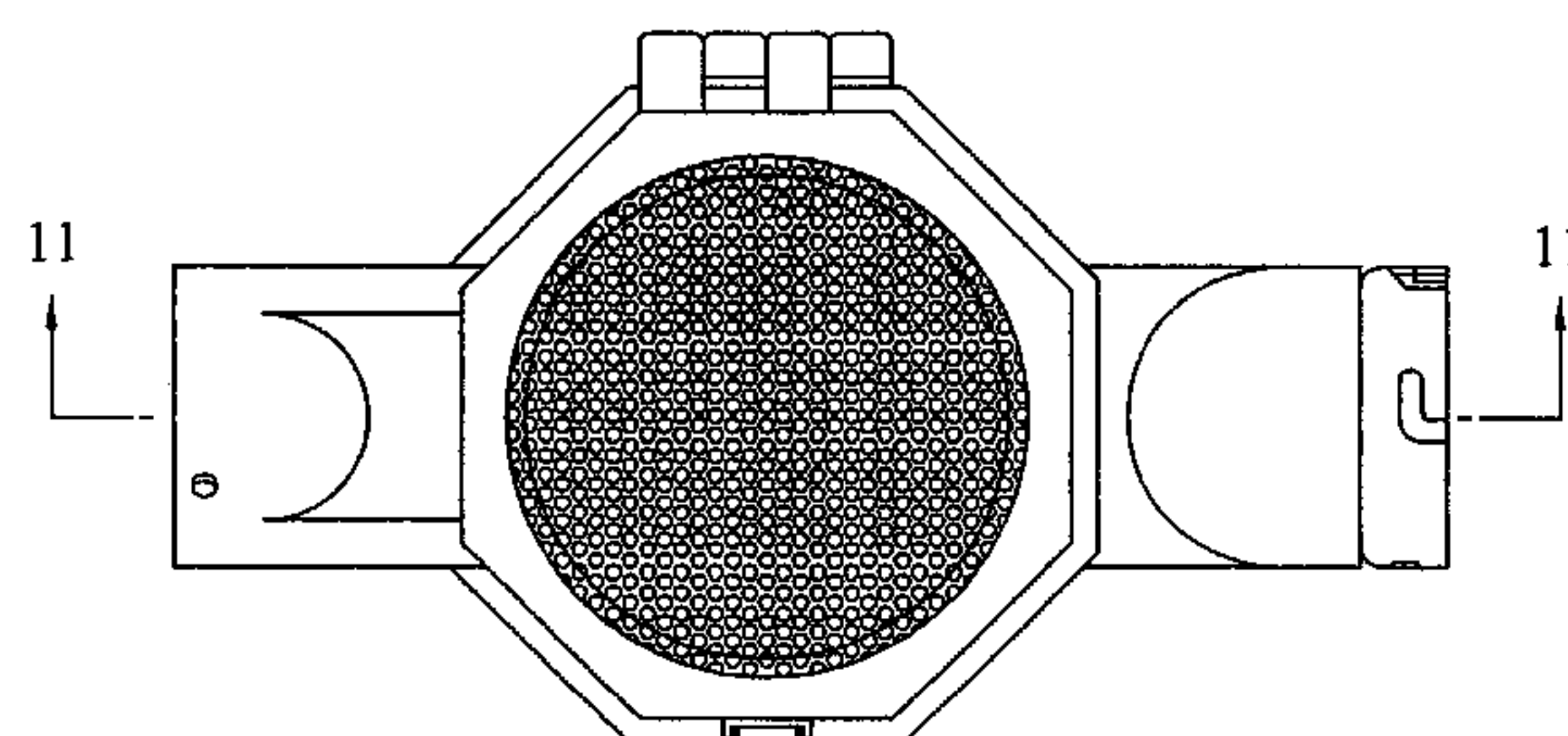
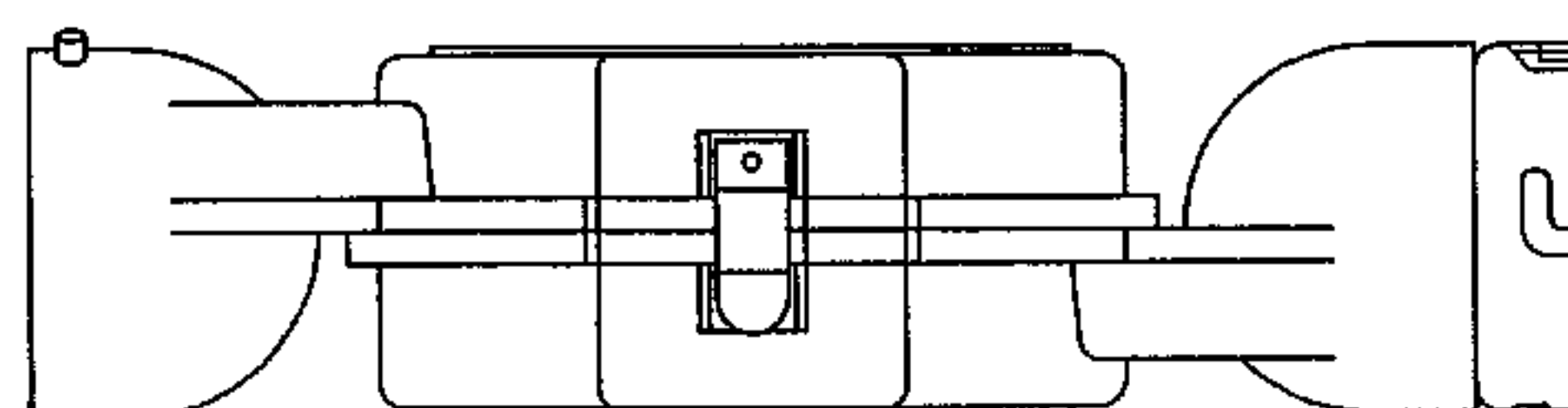
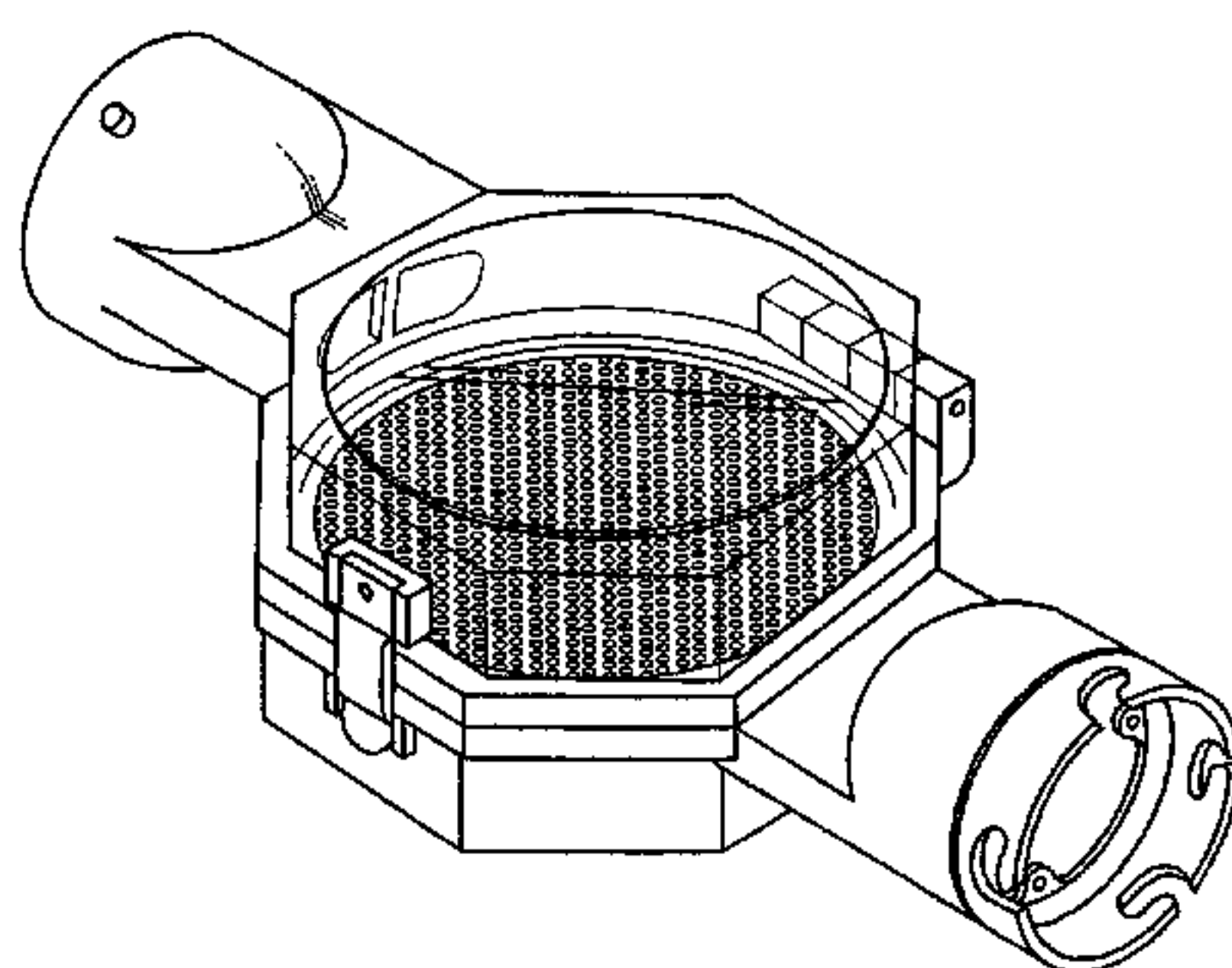


FIG. 1

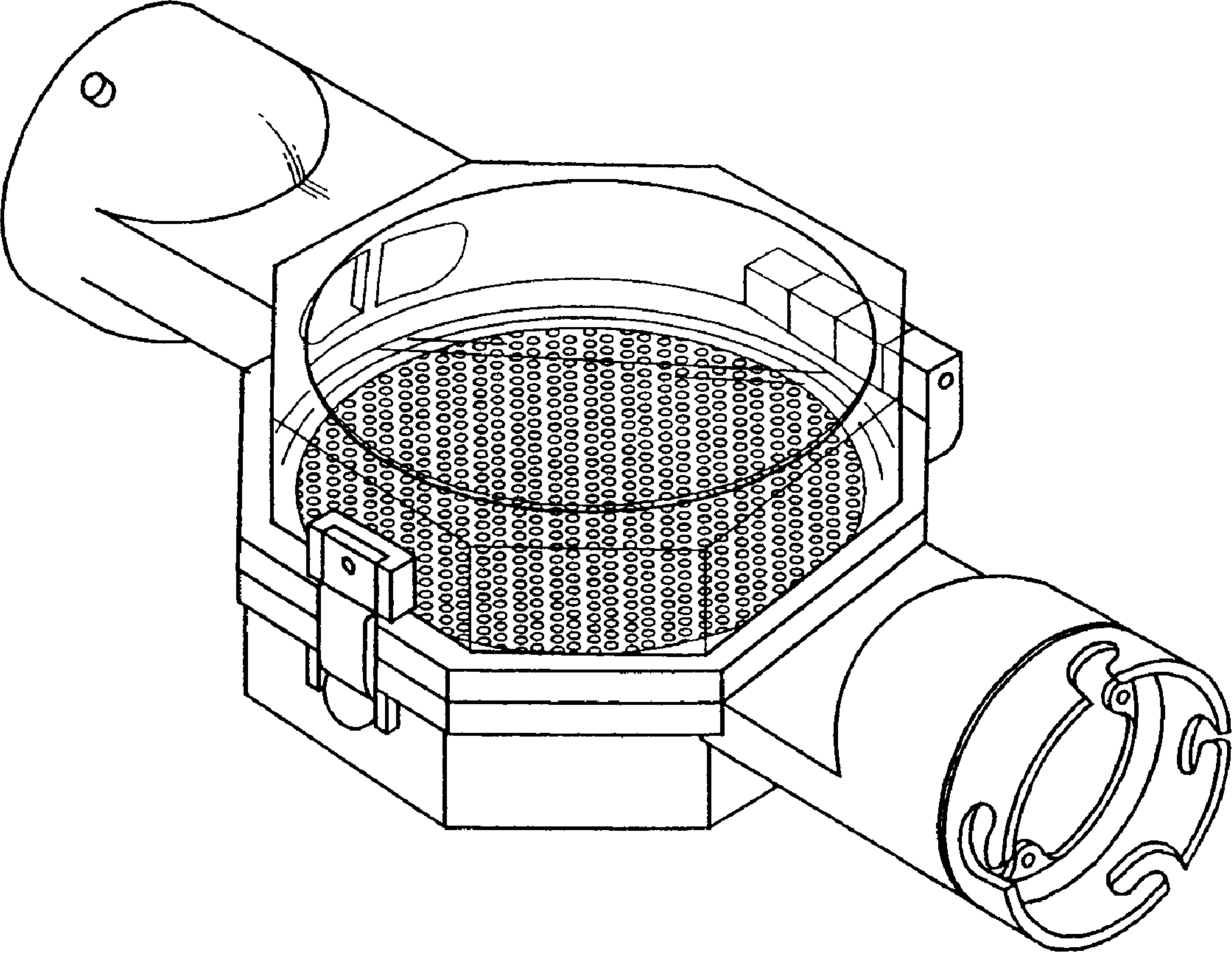


FIG. 2

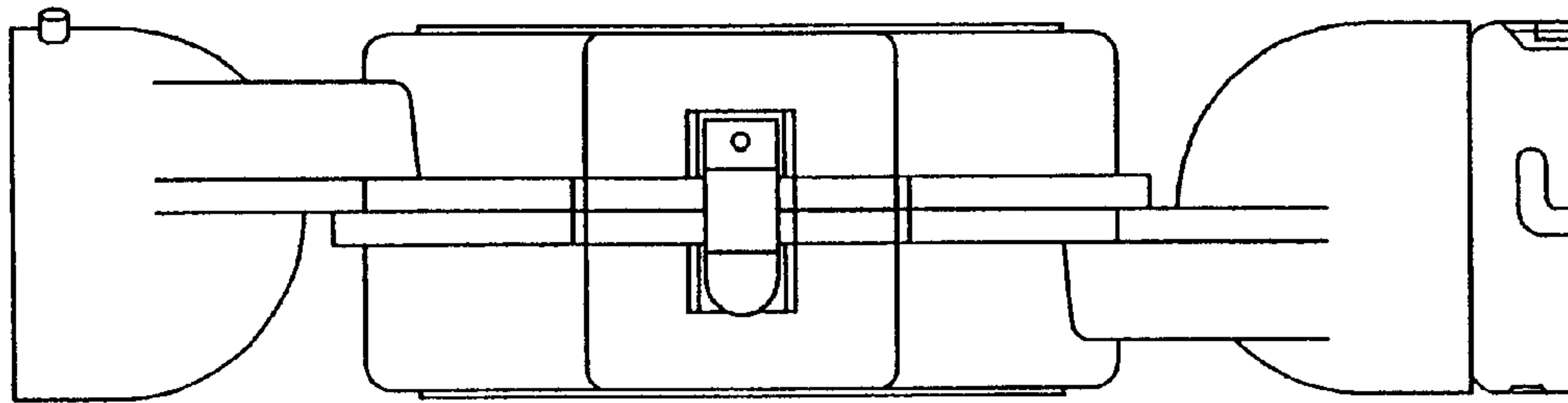


FIG. 3

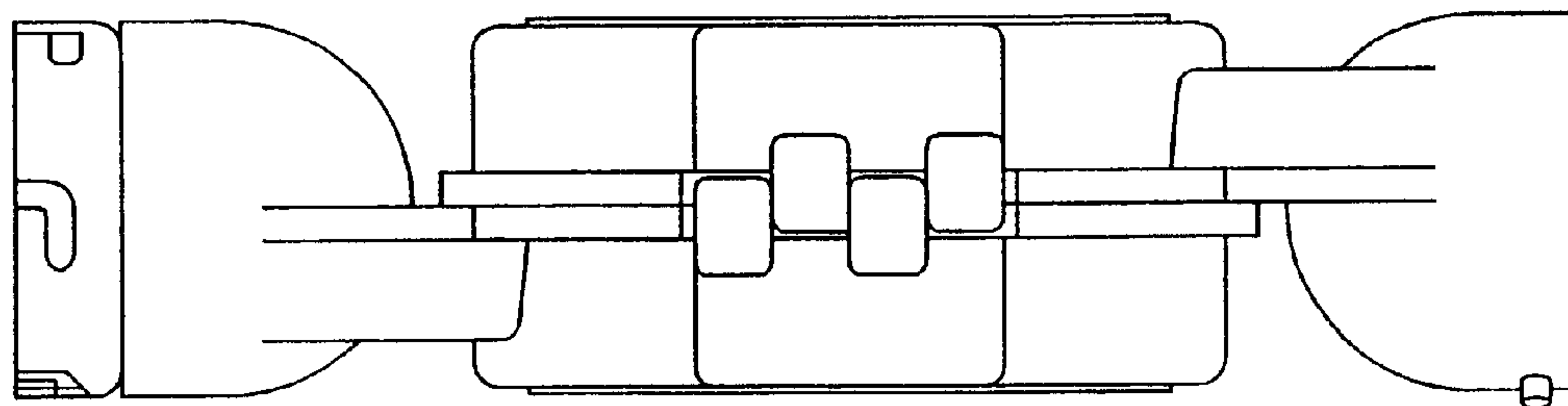


FIG. 4

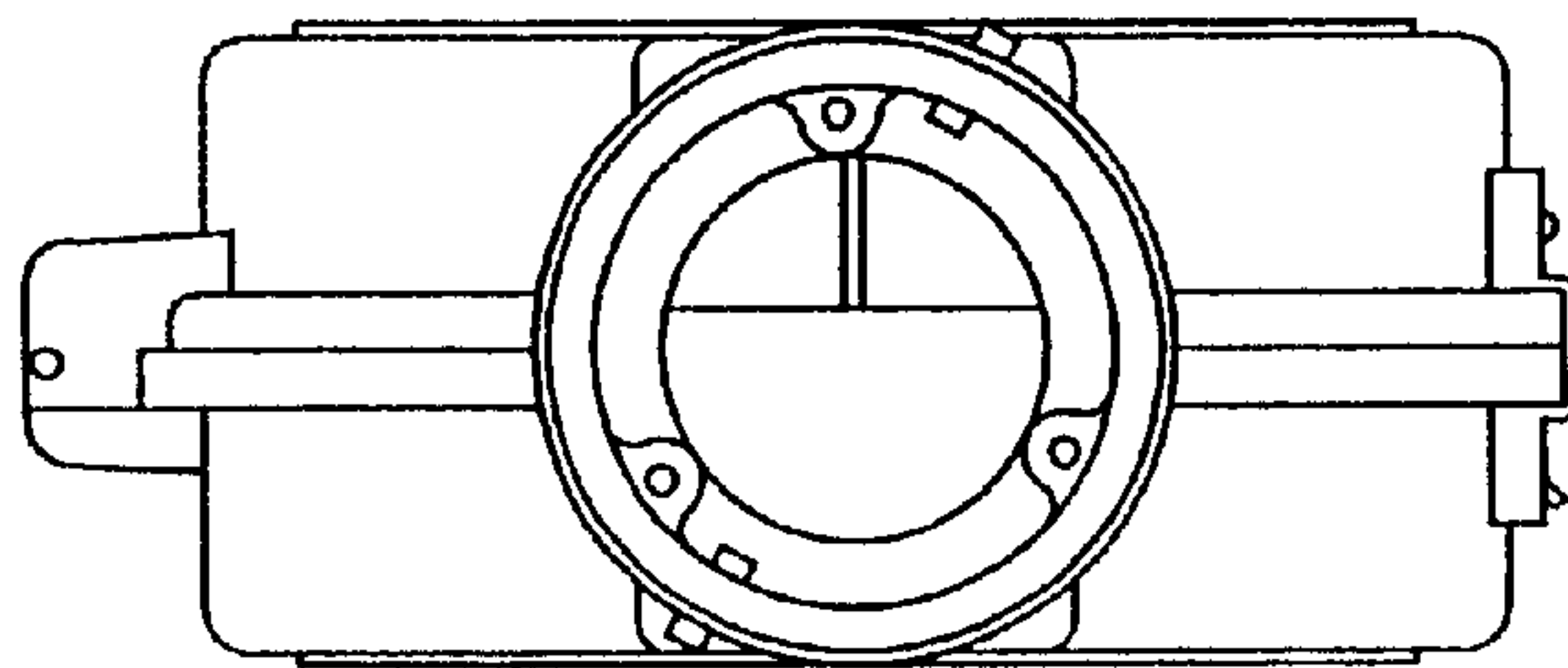


FIG. 5

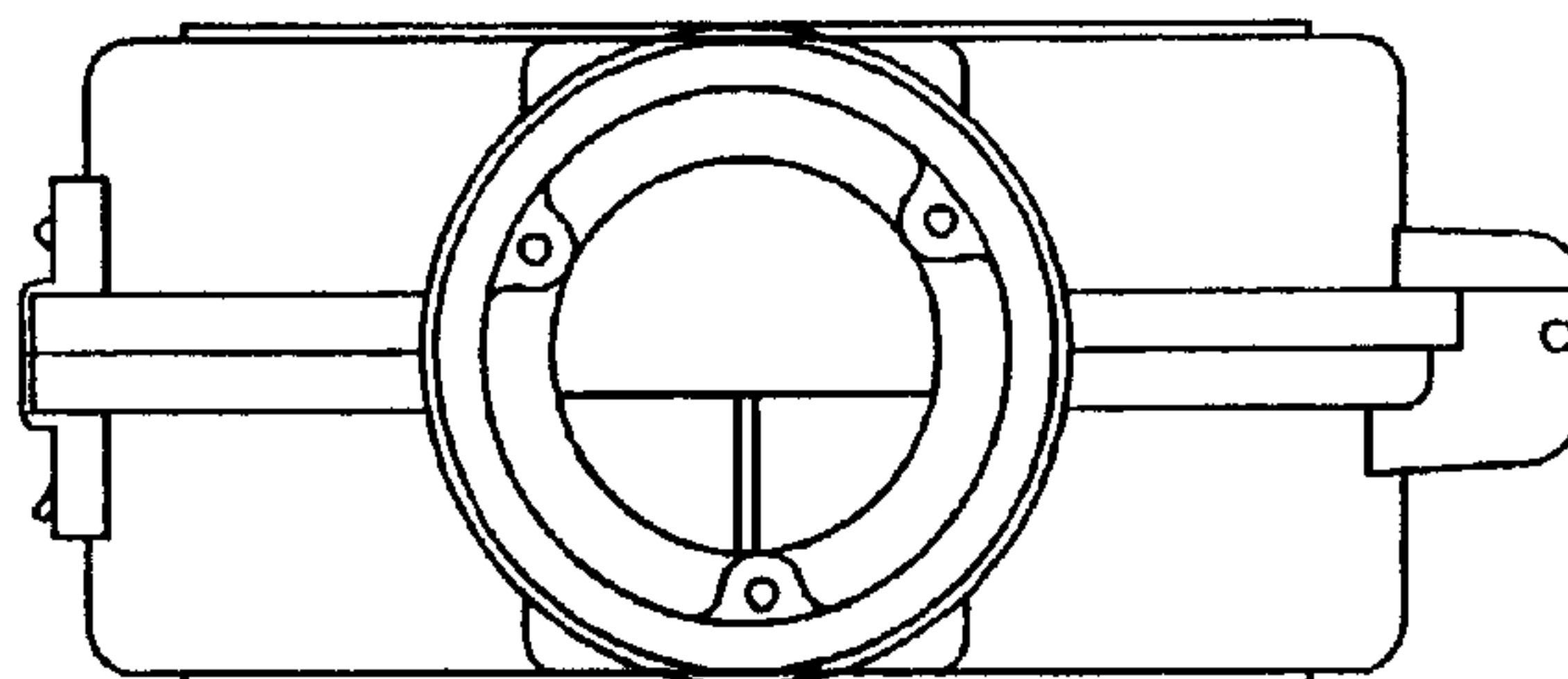


FIG. 6

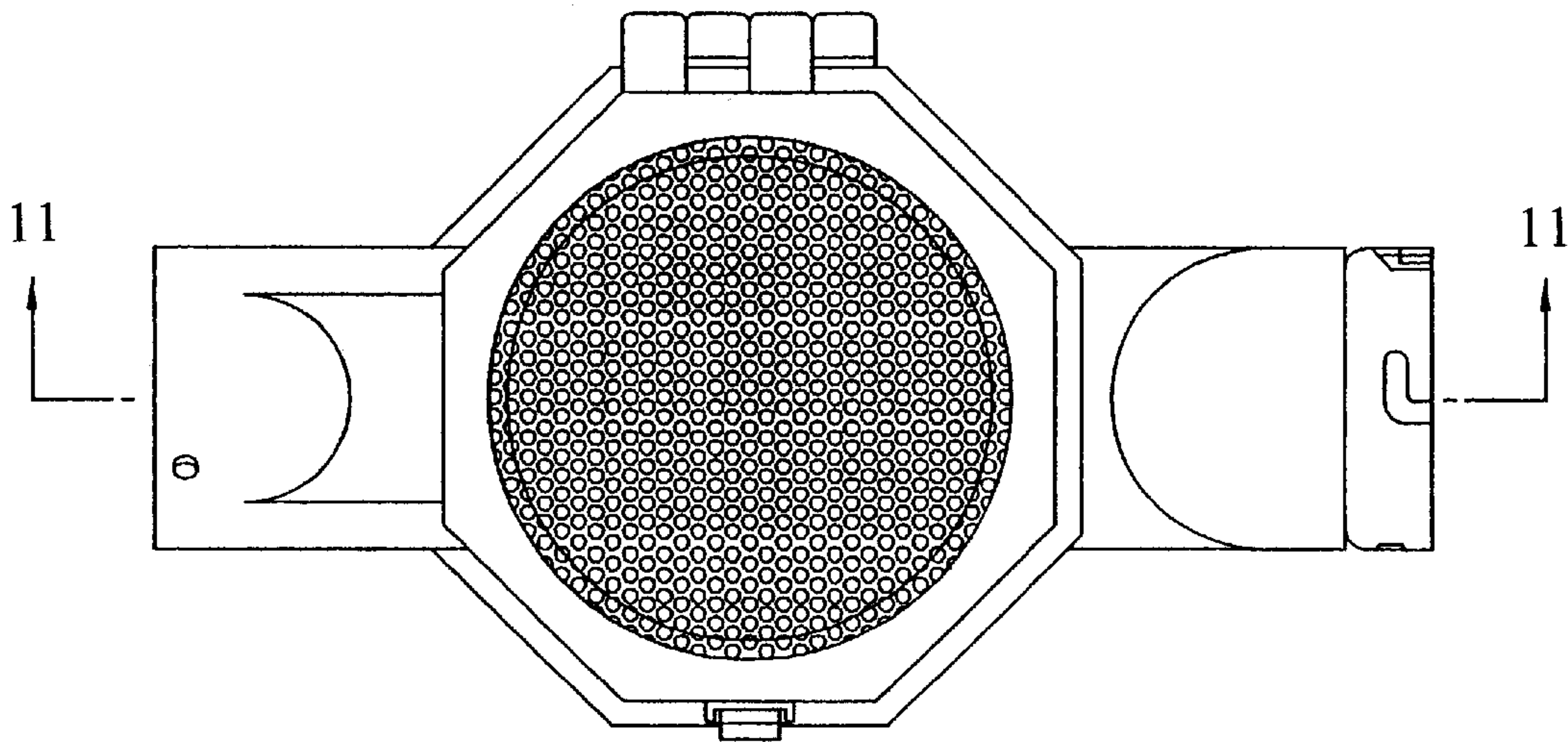


FIG. 7

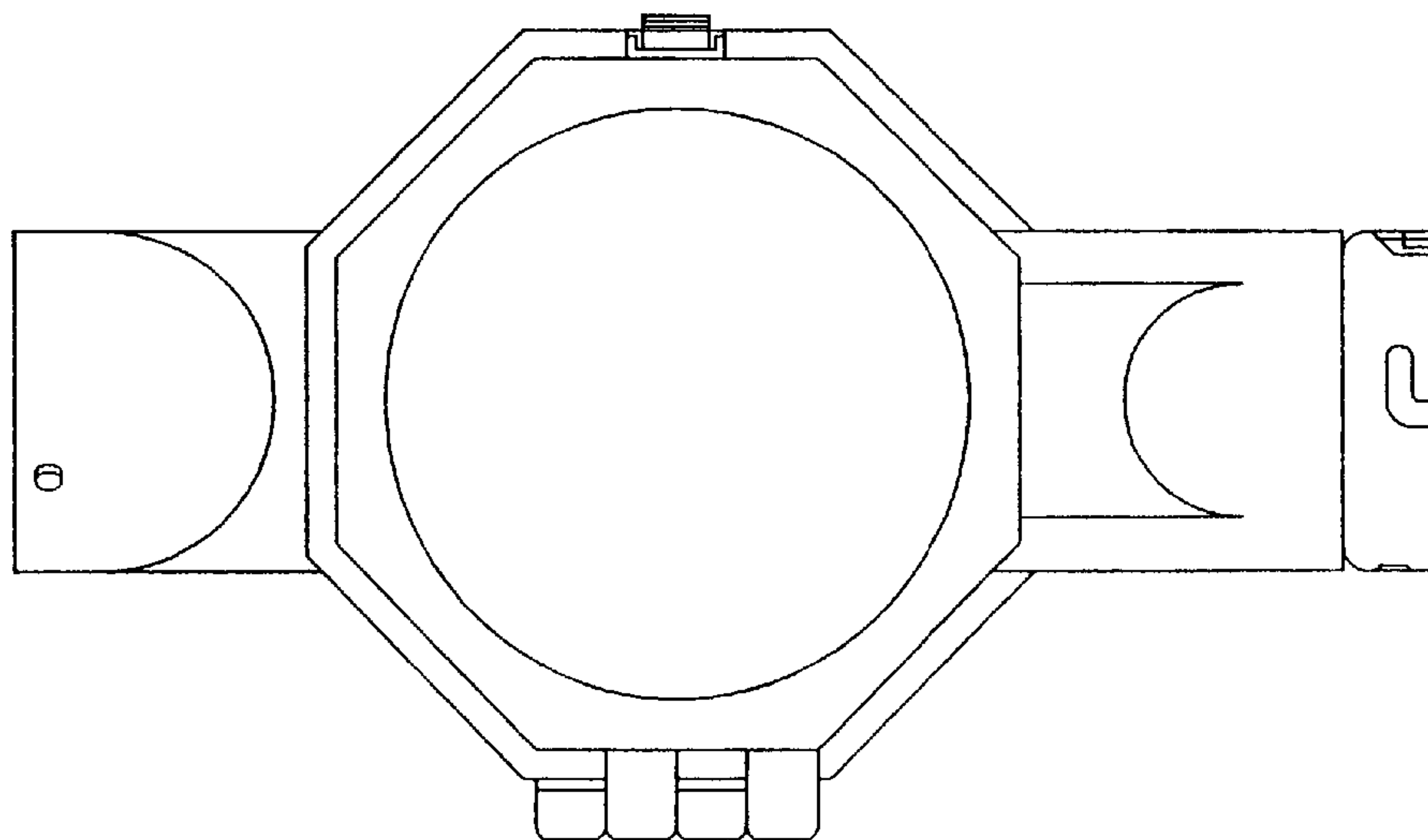


FIG. 8

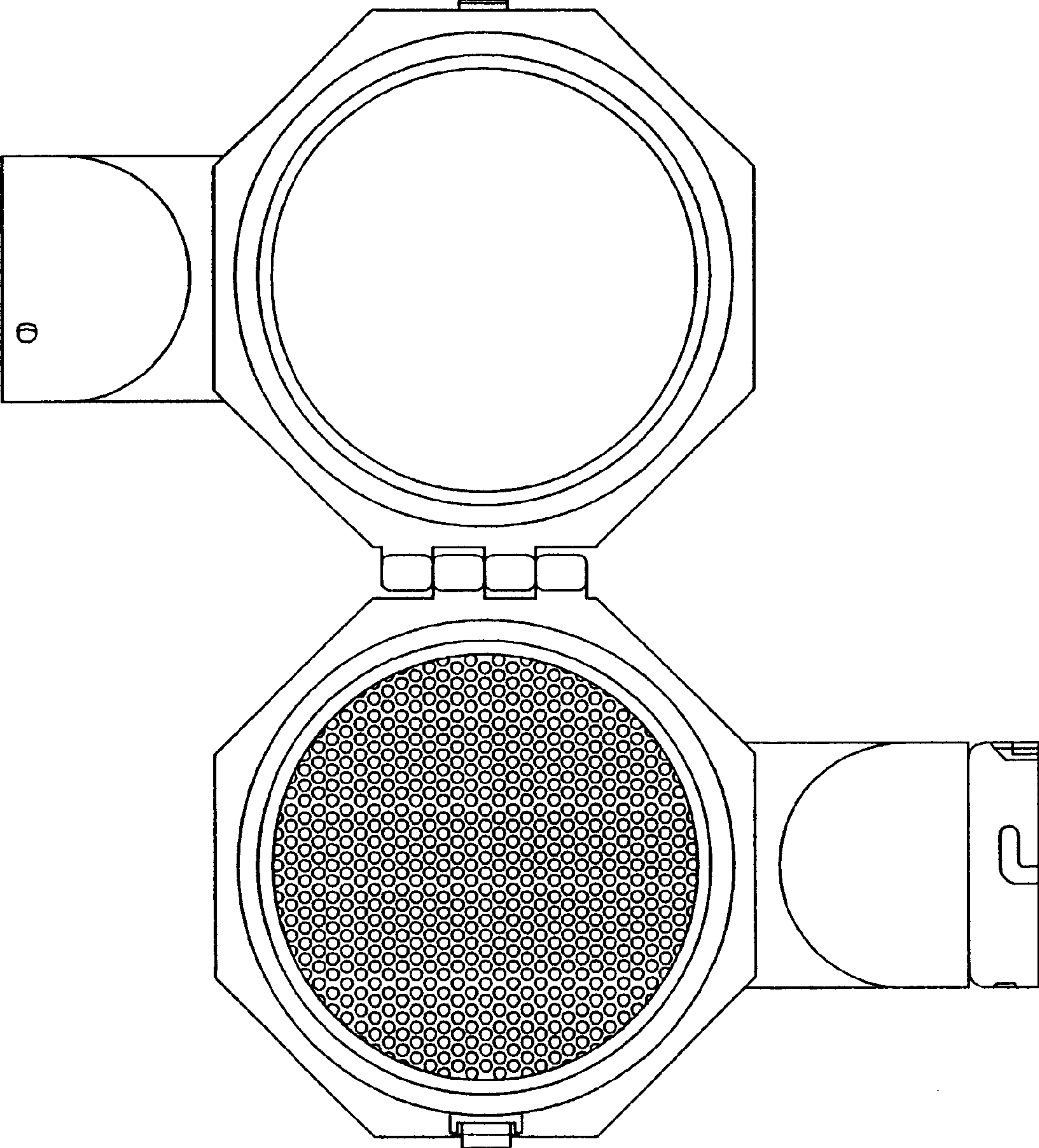


FIG. 9

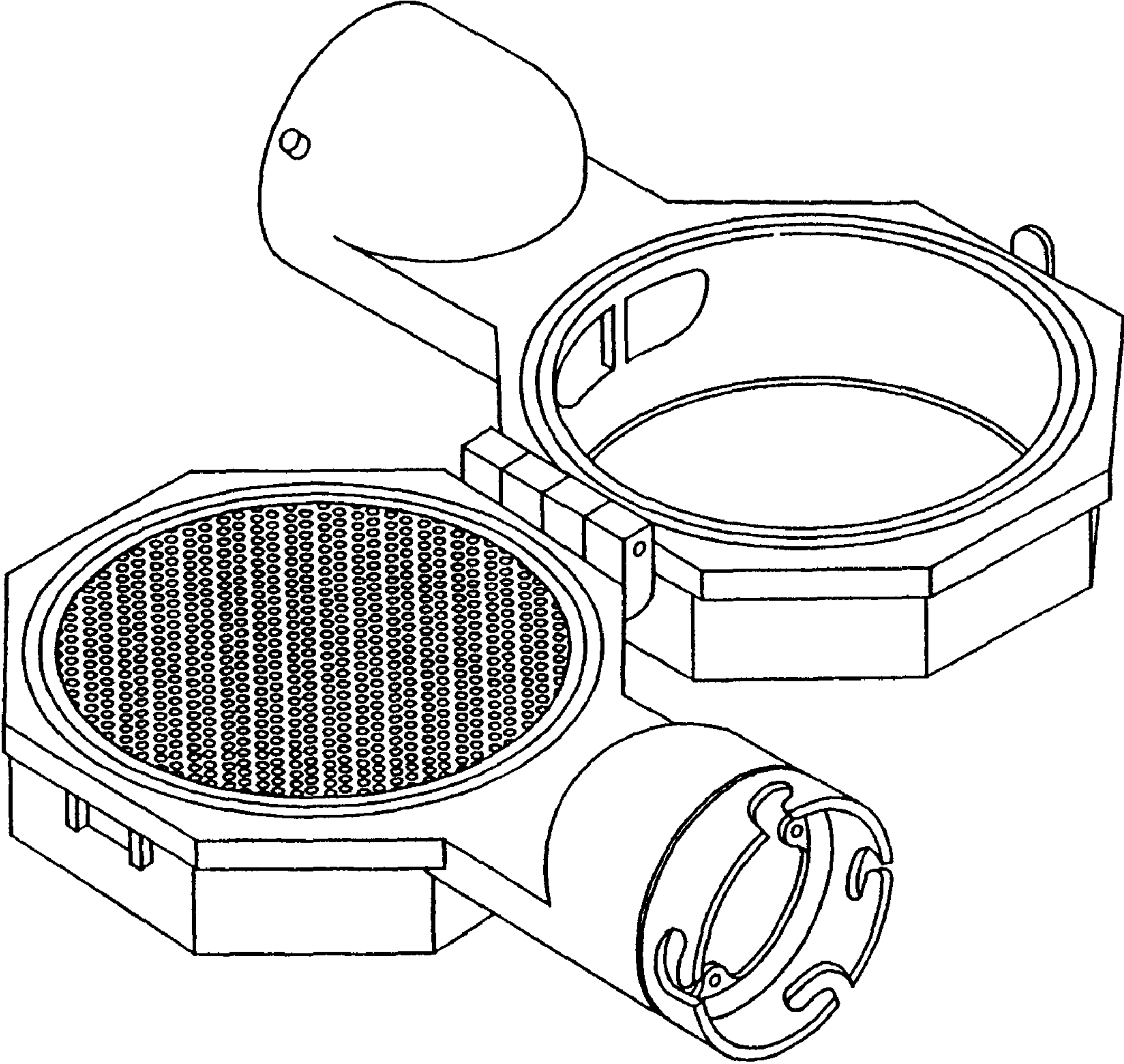


FIG. 10

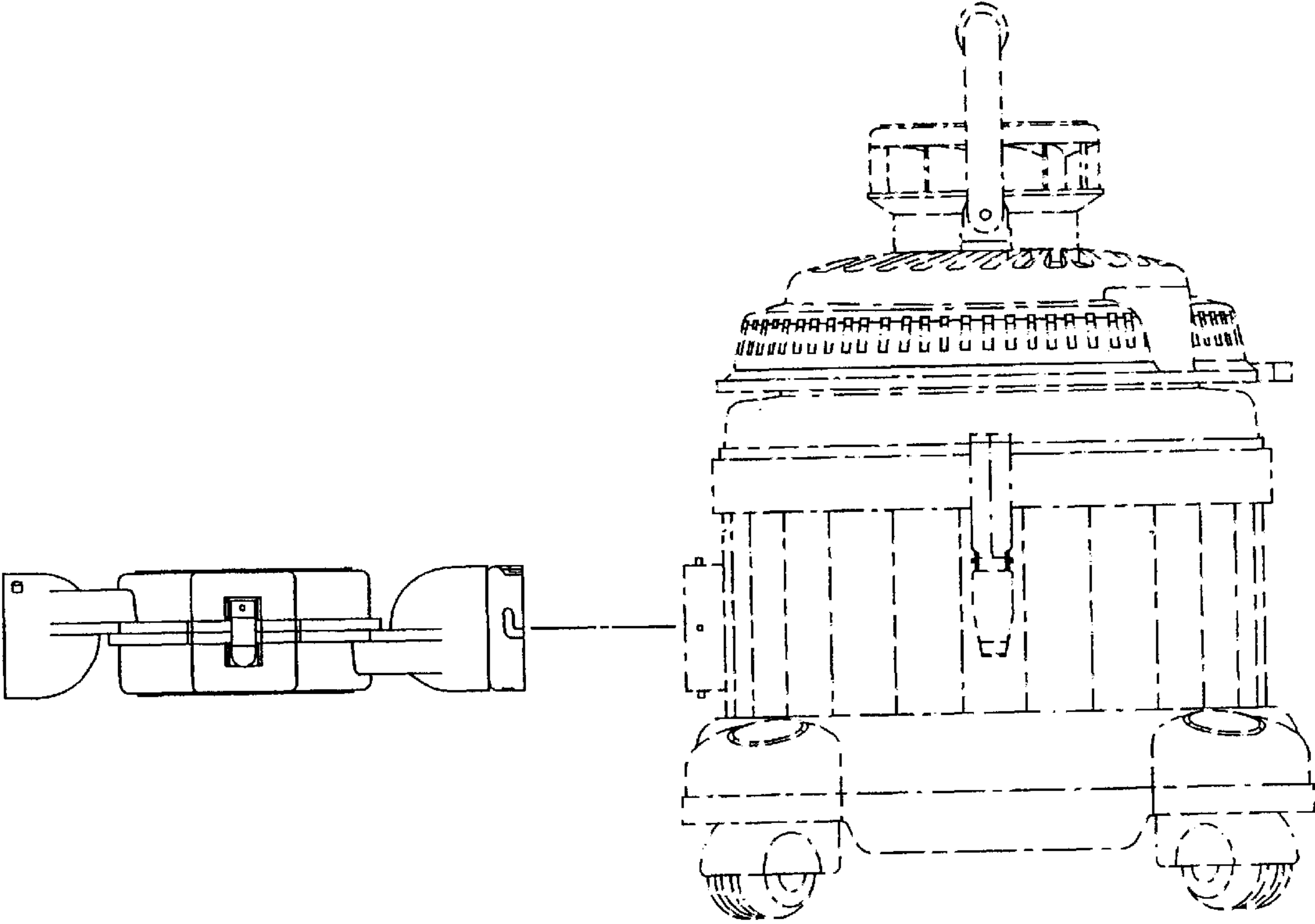


FIG. 11

