

US00D496598S1

(12) **United States Design Patent**
Bookbinder et al.

(10) **Patent No.: US D496,598 S**

(45) **Date of Patent: ** Sep. 28, 2004**

(54) **MEASURING WHEEL**

(75) Inventors: **Steve Bookbinder**, Manchester (GB);
Paul McBride, Bolton (GB); **Peter Crank**, Bolton (GB)

(73) Assignee: **Trumeter Company Ltd.**, Manchester (GB)

(**) Term: **14 Years**

(21) Appl. No.: **29/190,354**

(22) Filed: **Sep. 17, 2003**

(30) **Foreign Application Priority Data**

Apr. 1, 2003 (GB) 3012342

(51) **LOC (7) Cl. 10-04**

(52) **U.S. Cl. D10/70**

(58) **Field of Search D10/70; 33/772-773, 33/779-782**

(56) **References Cited**

U.S. PATENT DOCUMENTS

3,820,246 A * 6/1974 Evans 33/781
4,970,802 A * 11/1990 Nosek 33/780

D437,796 S * 2/2001 Risi D10/70
6,249,987 B1 * 6/2001 Gorfu 33/781
D445,349 S * 7/2001 Risi et al. D10/70
D486,406 S * 2/2004 Critelli et al. D10/70

* cited by examiner

Primary Examiner—Antoine D. Davis

(74) *Attorney, Agent, or Firm*—Thompson Coburn, LLP

(57) **CLAIM**

The ornamental design for a measuring wheel, as shown and described.

DESCRIPTION

FIG. 1 is a perspective view;
FIG. 2 is a front view;
FIG. 3 is a rear view;
FIG. 4 is a view from one side;
FIG. 5 is a view from above;
FIG. 6 is a view from opposite side;
FIG. 7 is a view from below;
FIG. 8 is a side view in a second configuration with the handle; and,
FIG. 9 is a side view in a third configuration with the handle fully extended.

1 Claim, 4 Drawing Sheets



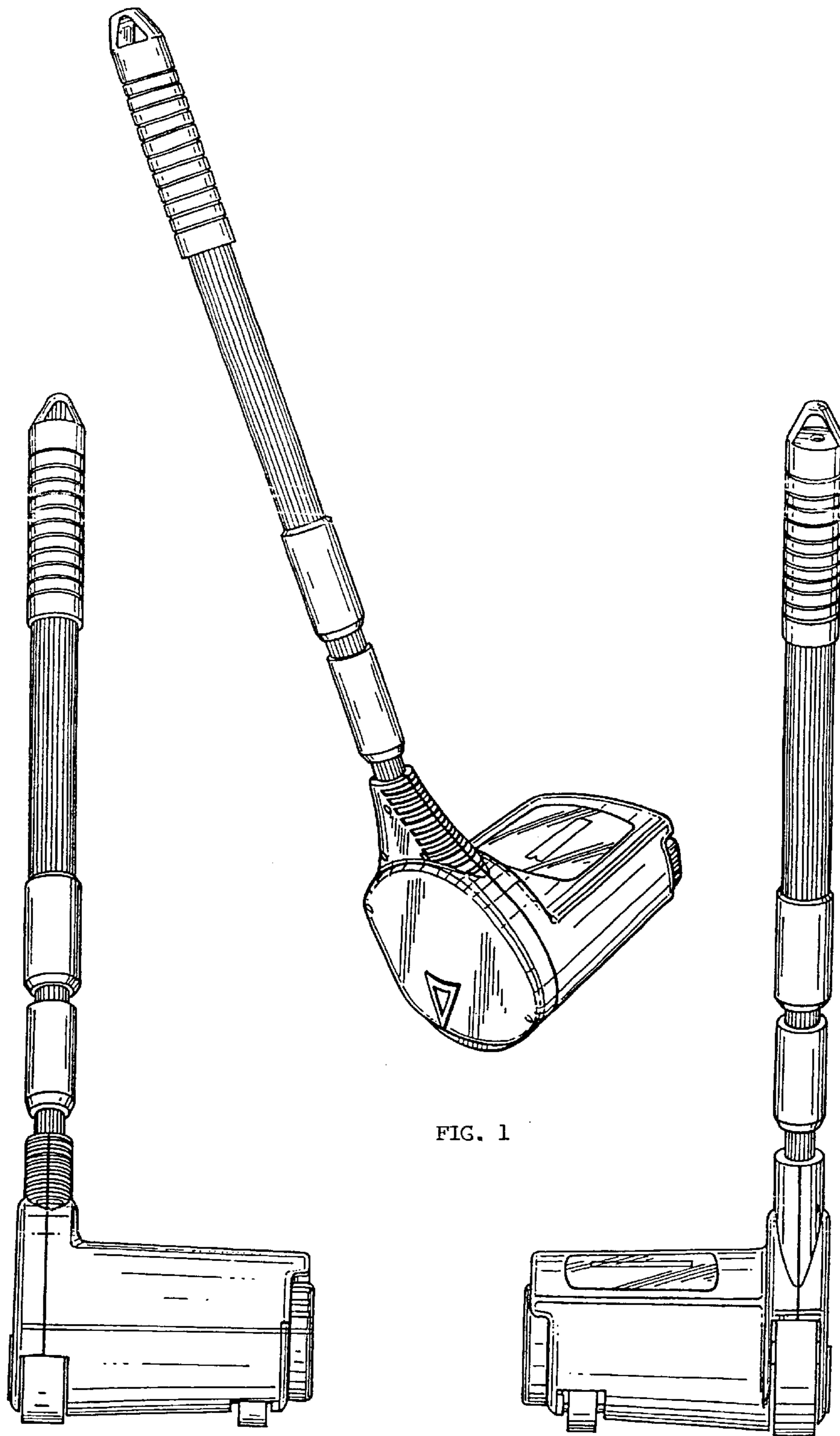


FIG. 1

FIG. 2

FIG. 3

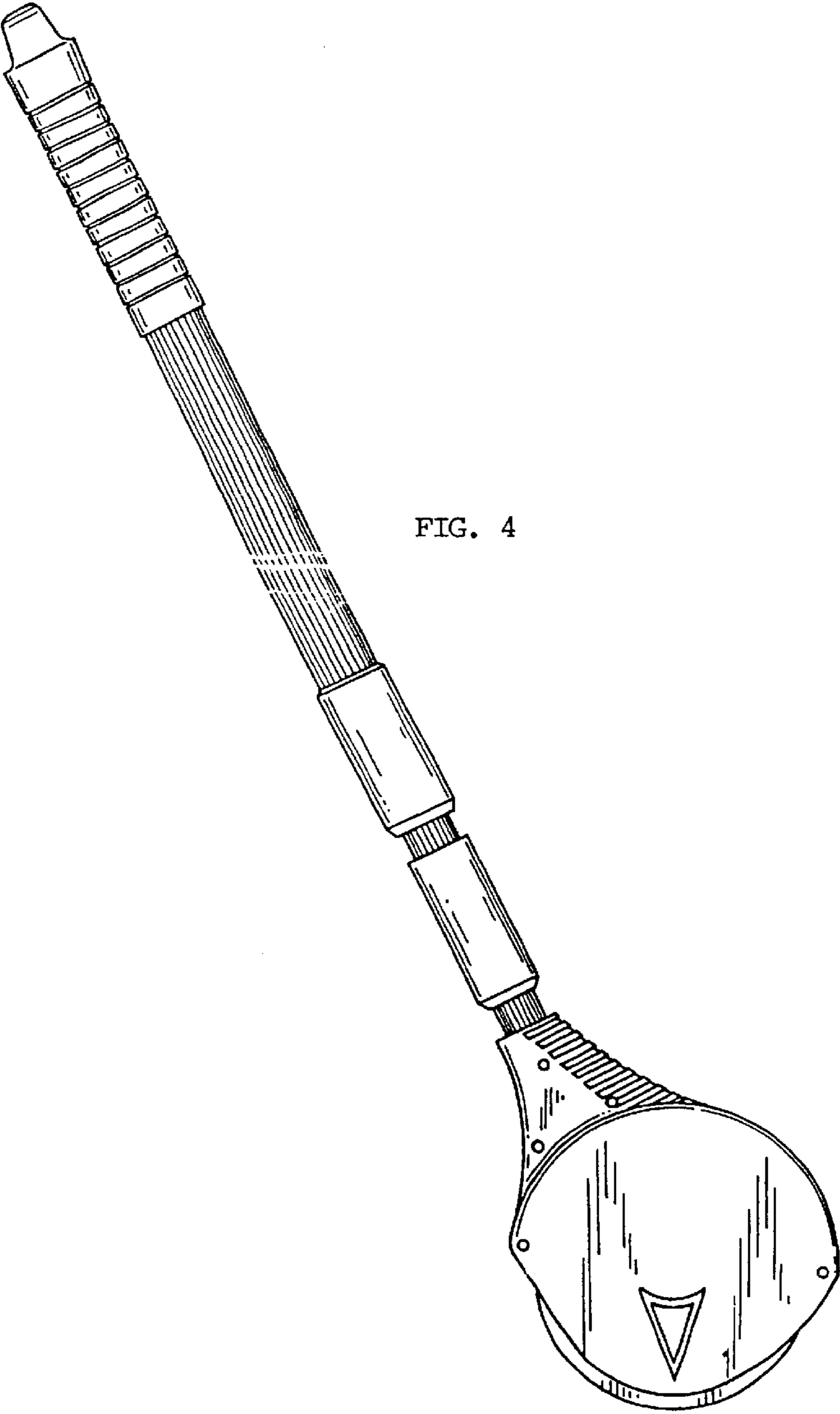


FIG. 4

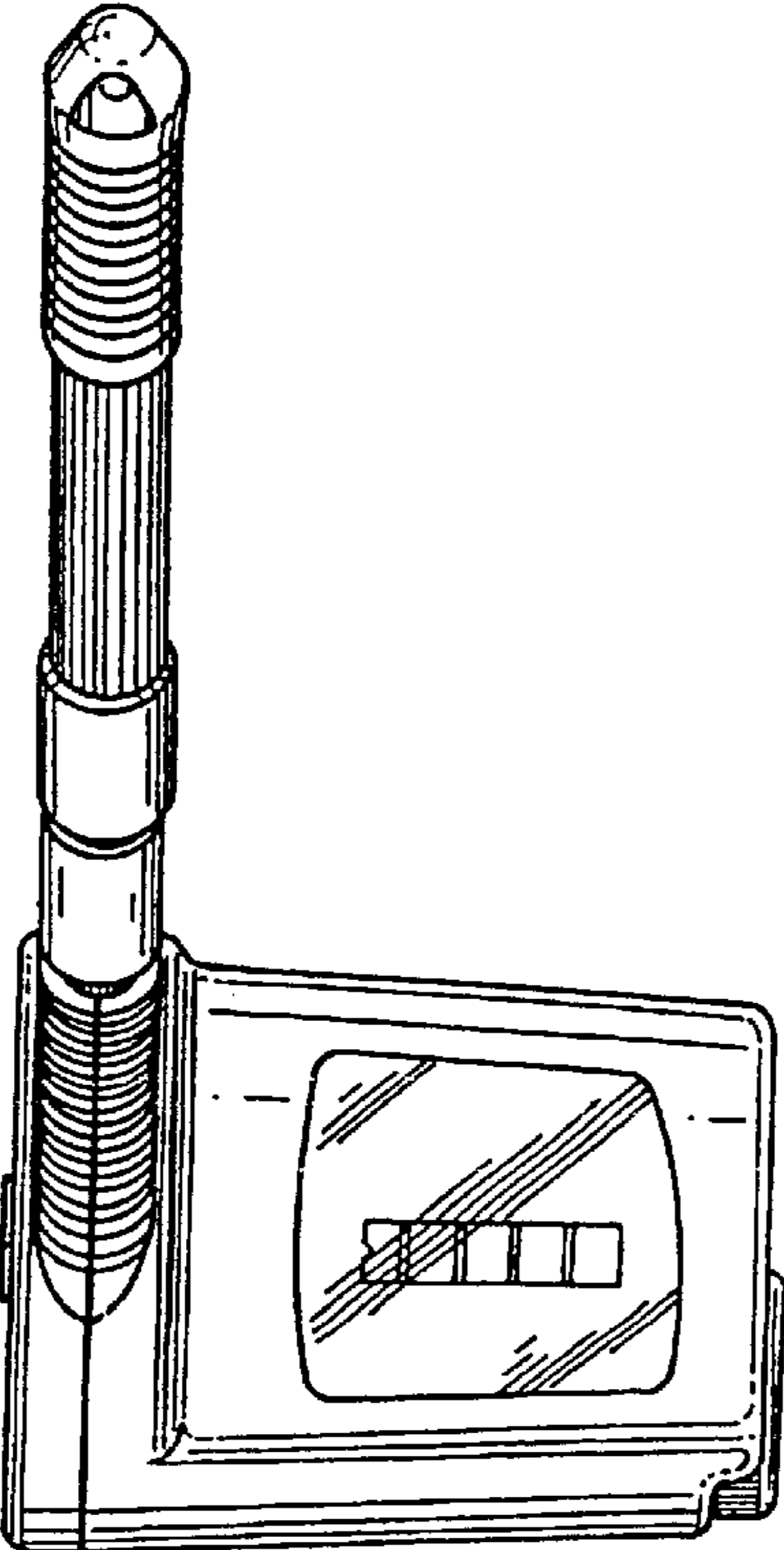


FIG. 5

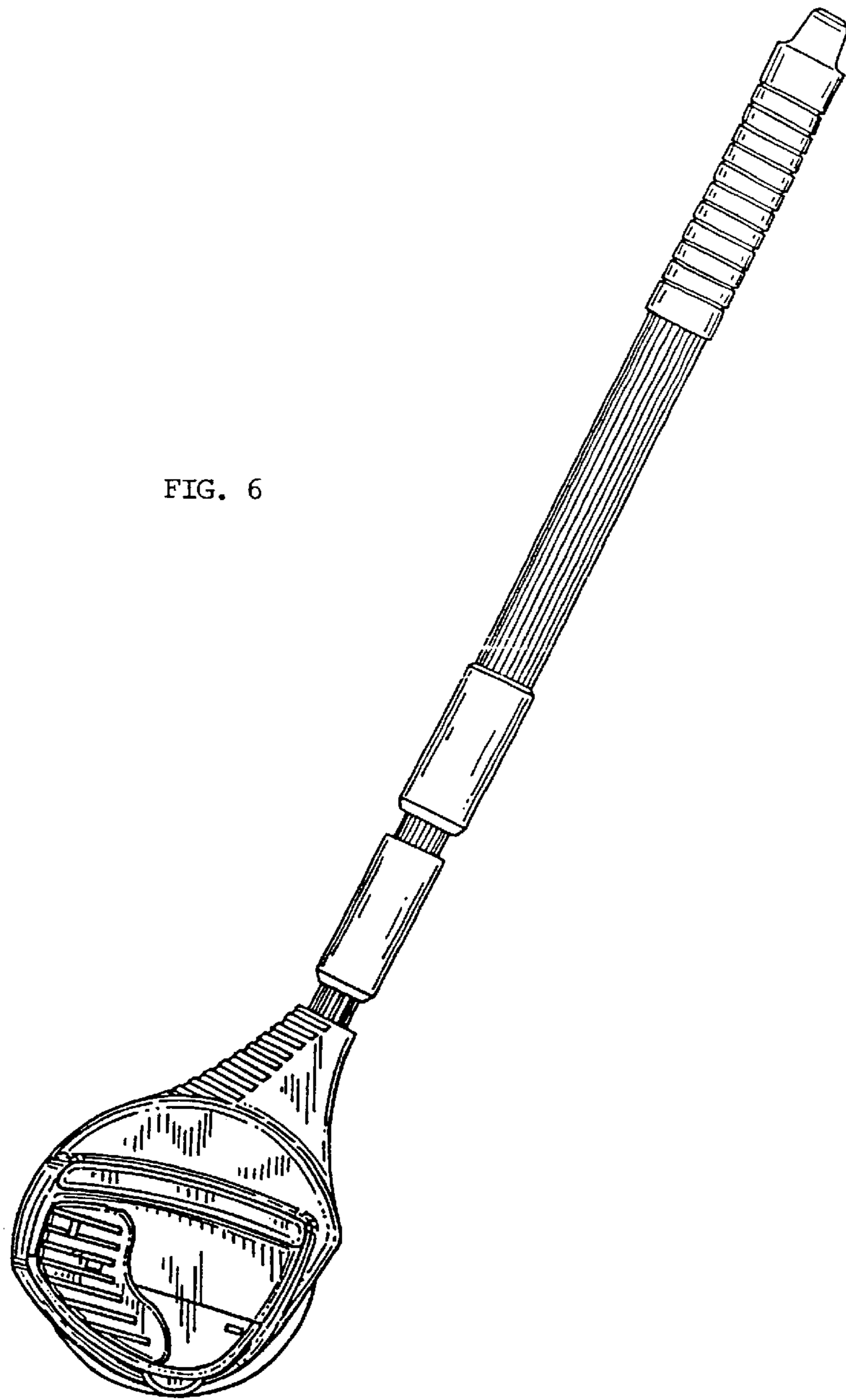


FIG. 6

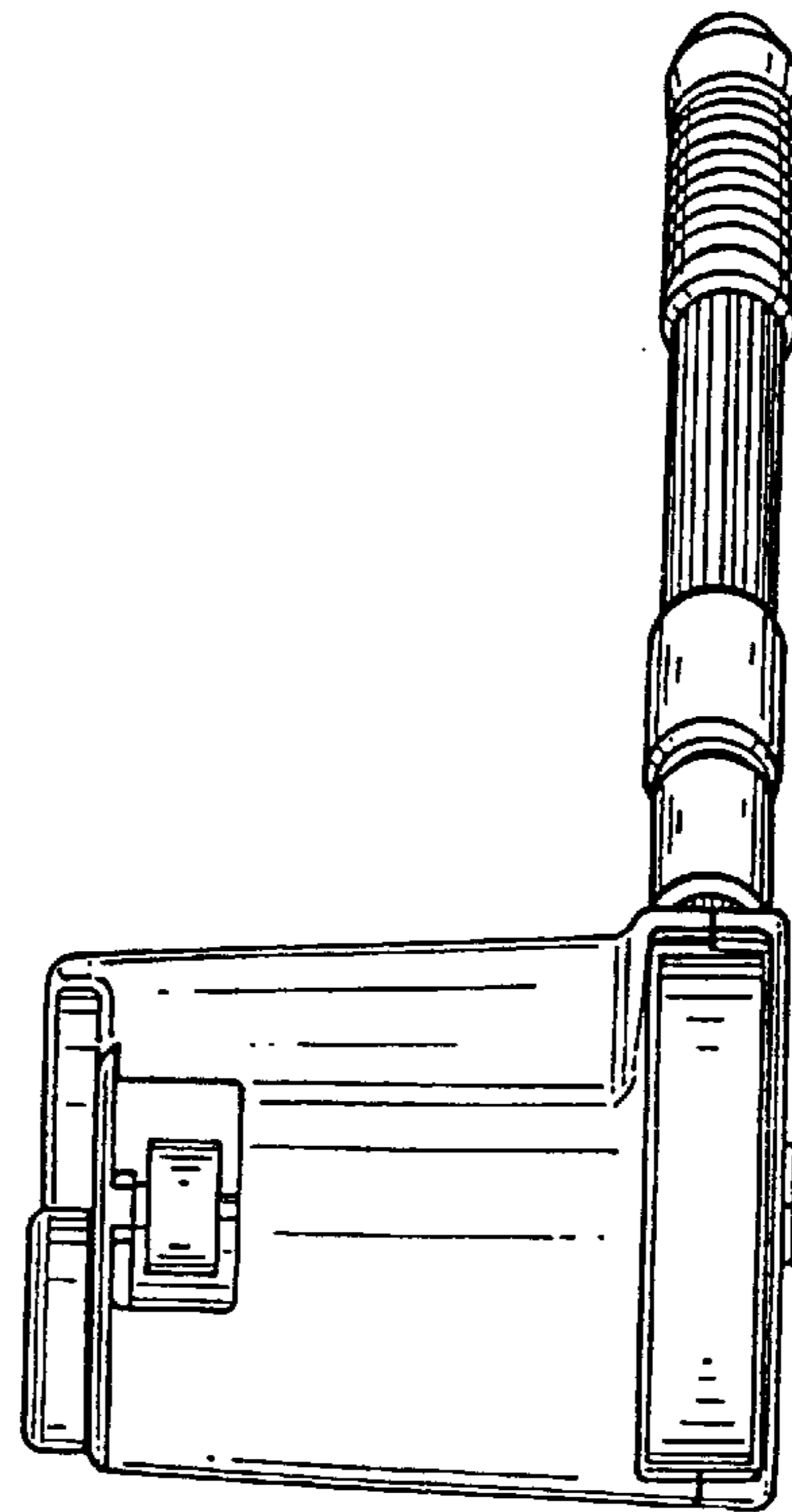


FIG. 7

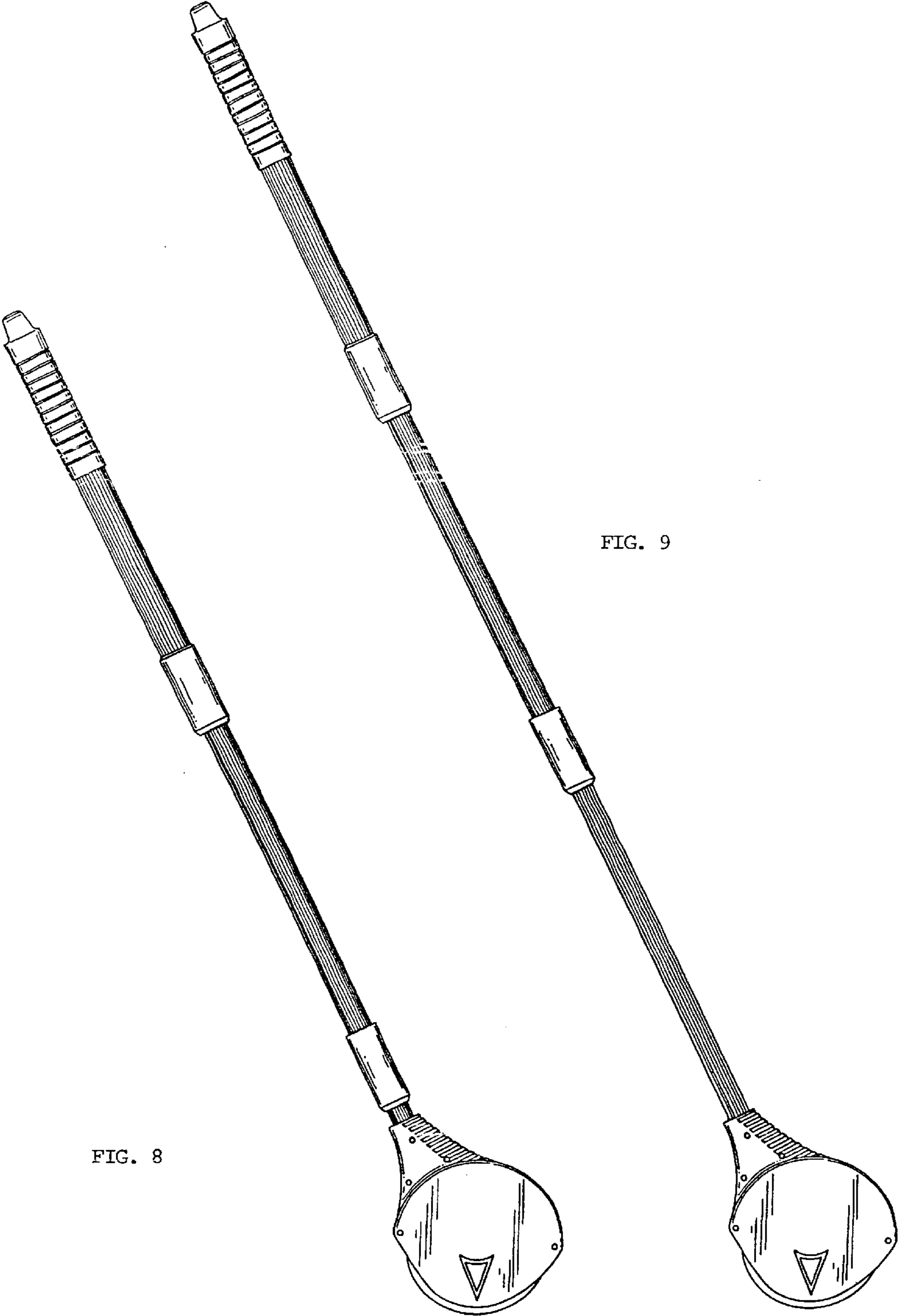


FIG. 8

FIG. 9