

US00D496597S1

(12) **United States Design Patent** (10) **Patent No.:** **US D496,597 S**
Cooper et al. (45) **Date of Patent:** **** Sep. 28, 2004**

(54) **PORTIONS OF A LASER LEVEL**

(75) Inventors: **Vincent P. Cooper**, Baltimore, MD (US); **D. Scott Evans**, Mathews, VA (US)

(73) Assignee: **Black & Decker Inc.**, Newark, DE (US)

(**) Term: **14 Years**

(21) Appl. No.: **29/177,422**

(22) Filed: **Mar. 10, 2003**

Related U.S. Application Data

(63) Continuation of application No. 29/164,411, filed on Jul. 24, 2002, now Pat. No. Des. 474,985.

(51) **LOC (7) Cl.** **10-04**

(52) **U.S. Cl.** **D10/69**

(58) **Field of Search** D10/69; 33/291, 33/295, DIG. 21; 356/138, 249, 250; 372/9-30

Primary Examiner—Antoine D. Davis
(74) Attorney, Agent, or Firm—Adan Ayala

(57) **CLAIM**

The ornamental design for portions of a laser level, as shown and described.

DESCRIPTION

FIG. 1 is a perspective view from the left side of an embodiment of portions of a laser level according to the invention.

FIG. 2 is a front elevational view of the embodiment.

FIG. 3 is a rear elevational view of the embodiment.

FIG. 4 is a left side elevational view of the embodiment.

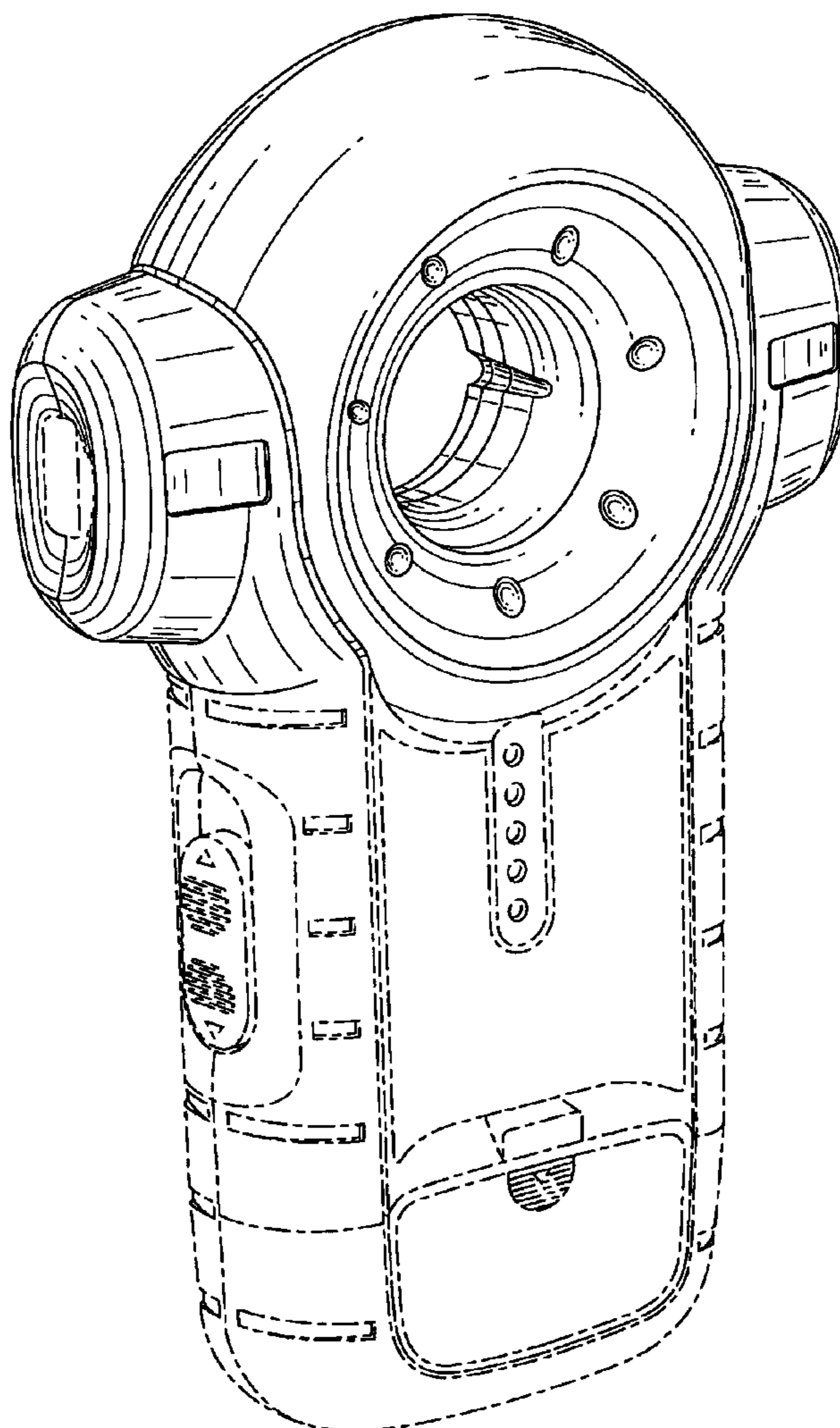
FIG. 5 is a right side elevational view of the embodiment.

FIG. 6 is a top plan view of the embodiment; and,

FIG. 7 is a bottom plan view of the embodiment.

In the above drawings, any portions shown in broken lines do not form a part of the invention.

1 Claim, 6 Drawing Sheets



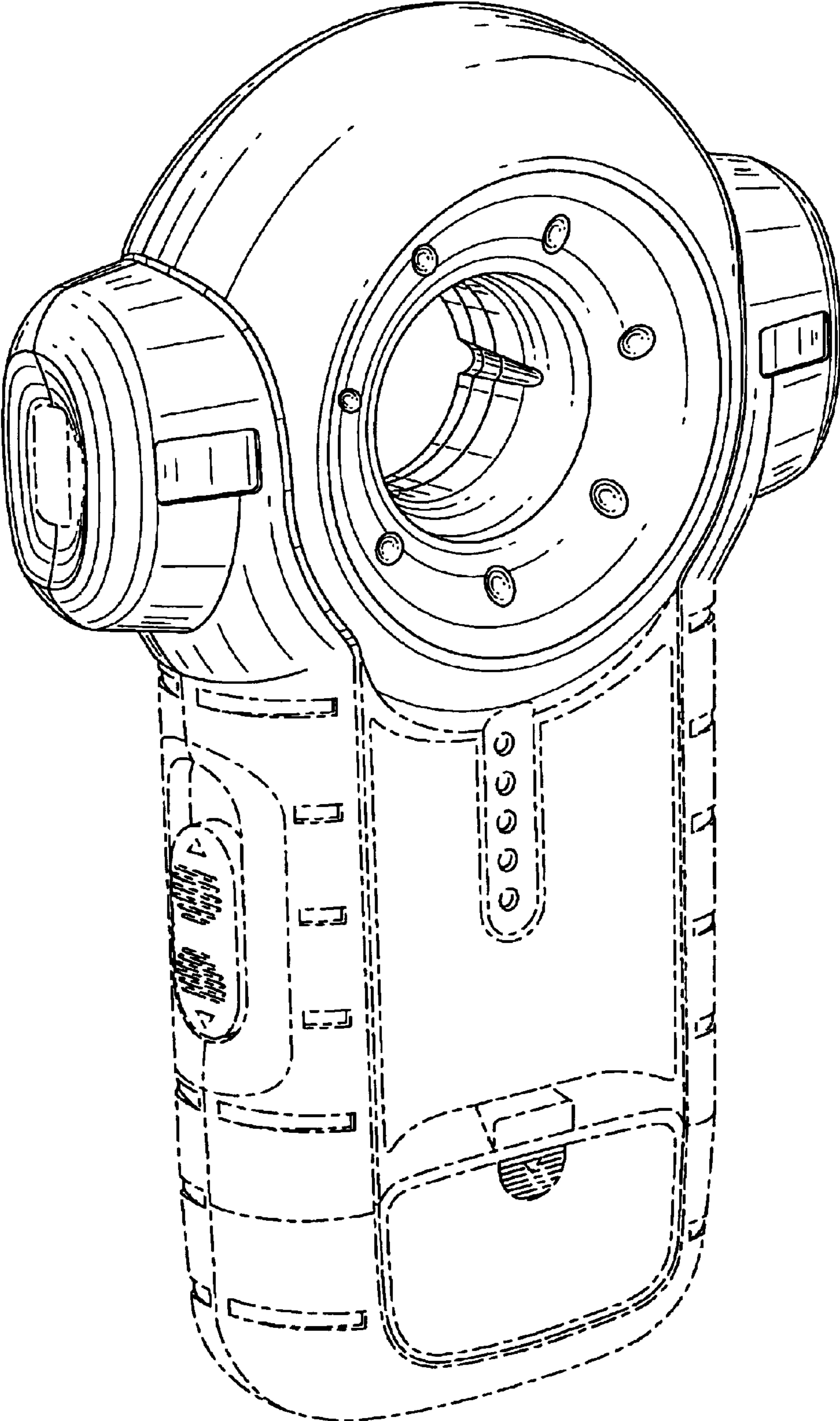


FIG. 1

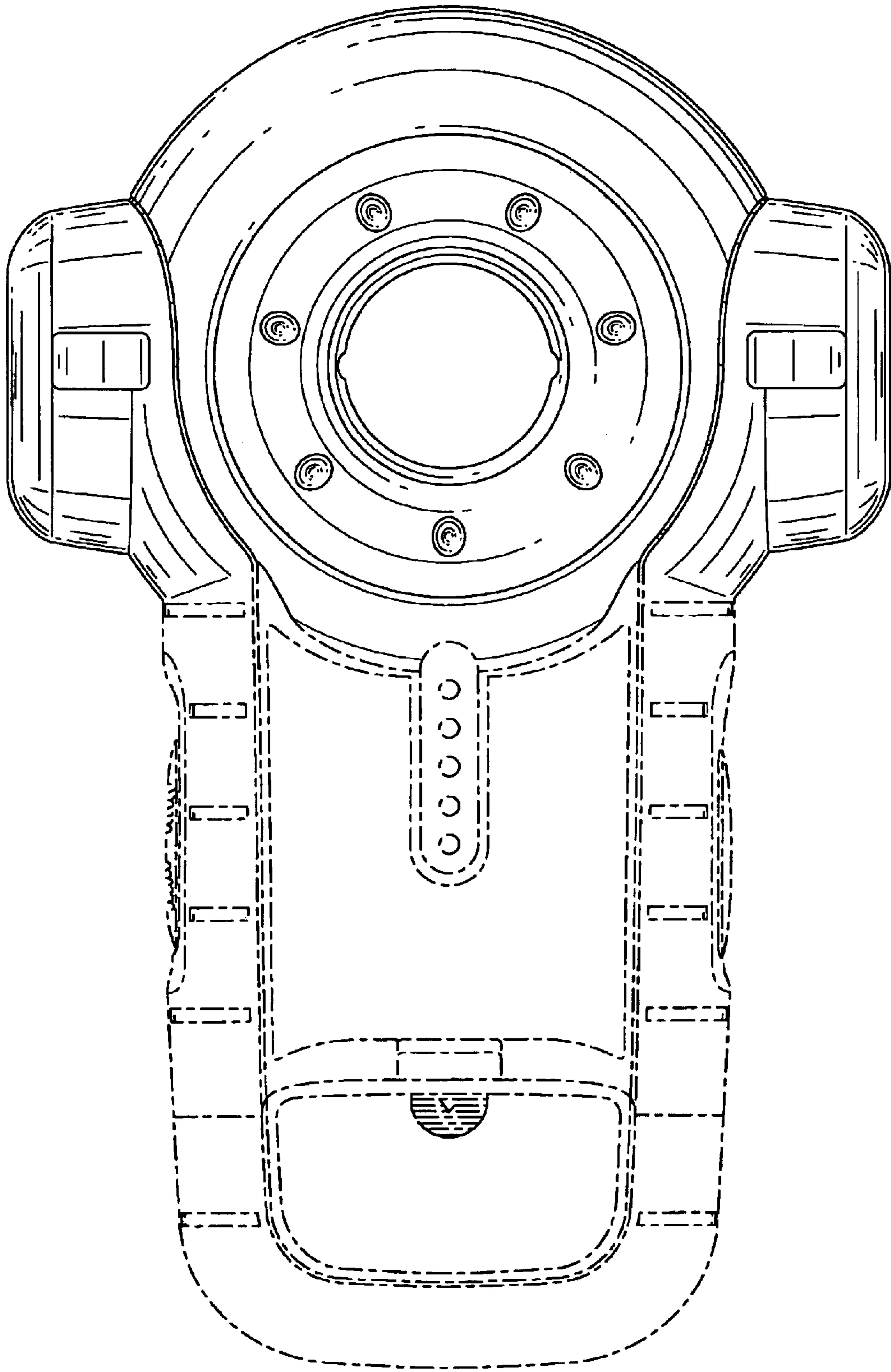


FIG. 2

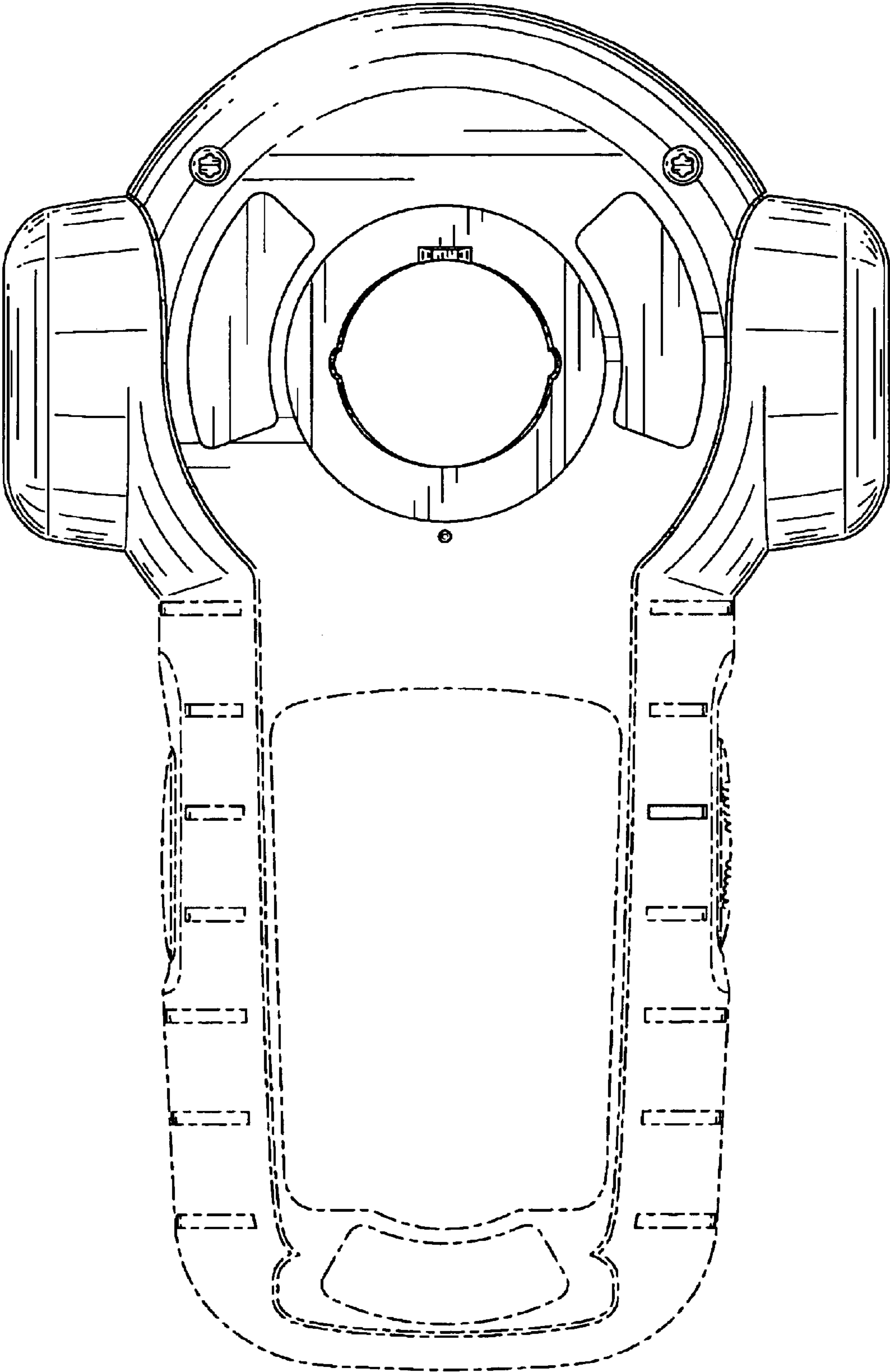


FIG. 3

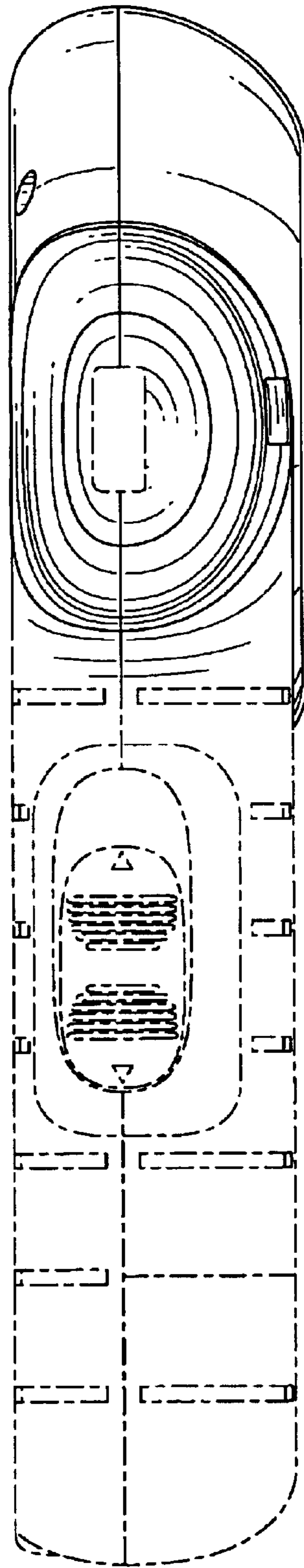


FIG. 4

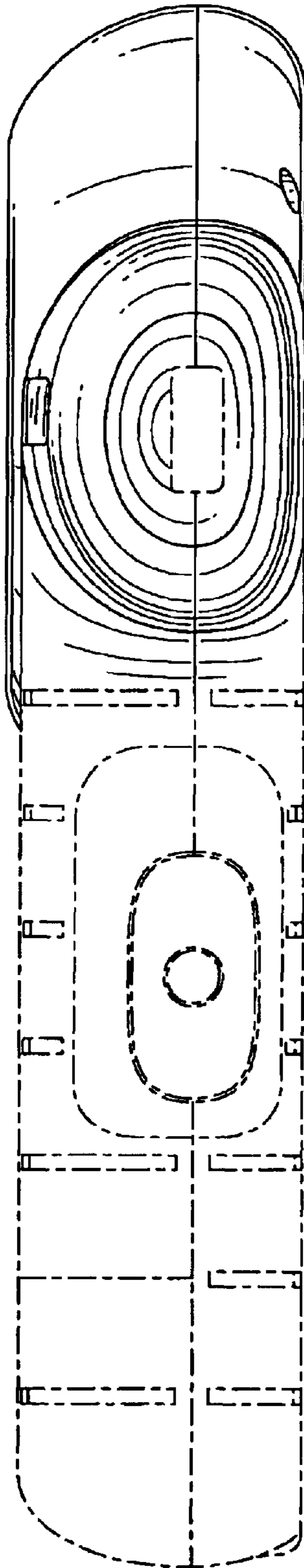


FIG. 5

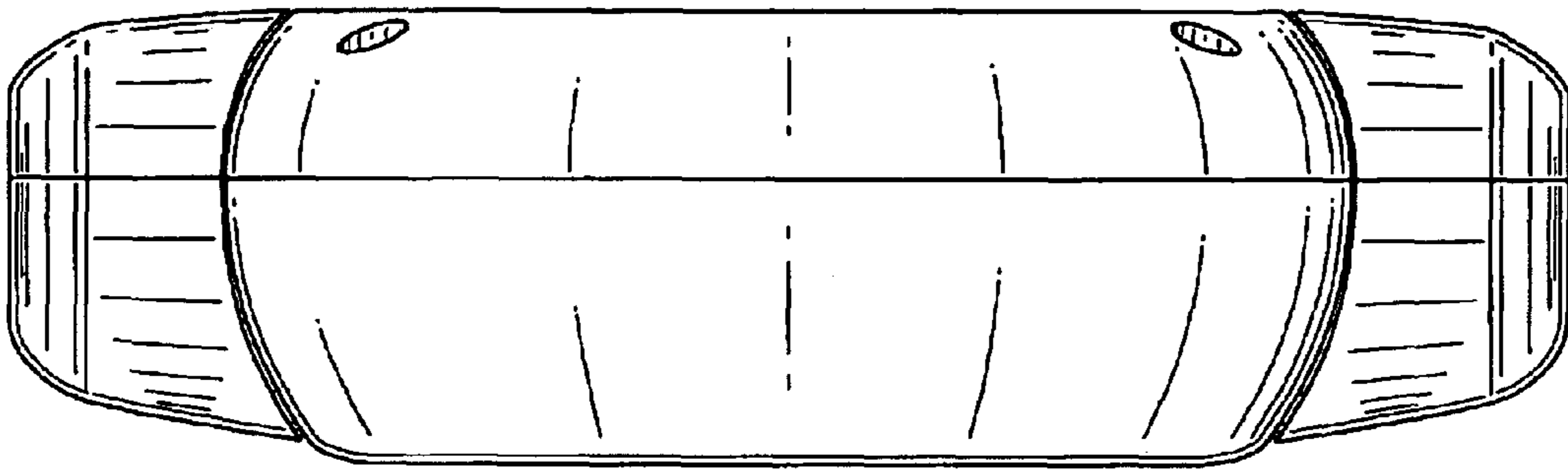


FIG. 6

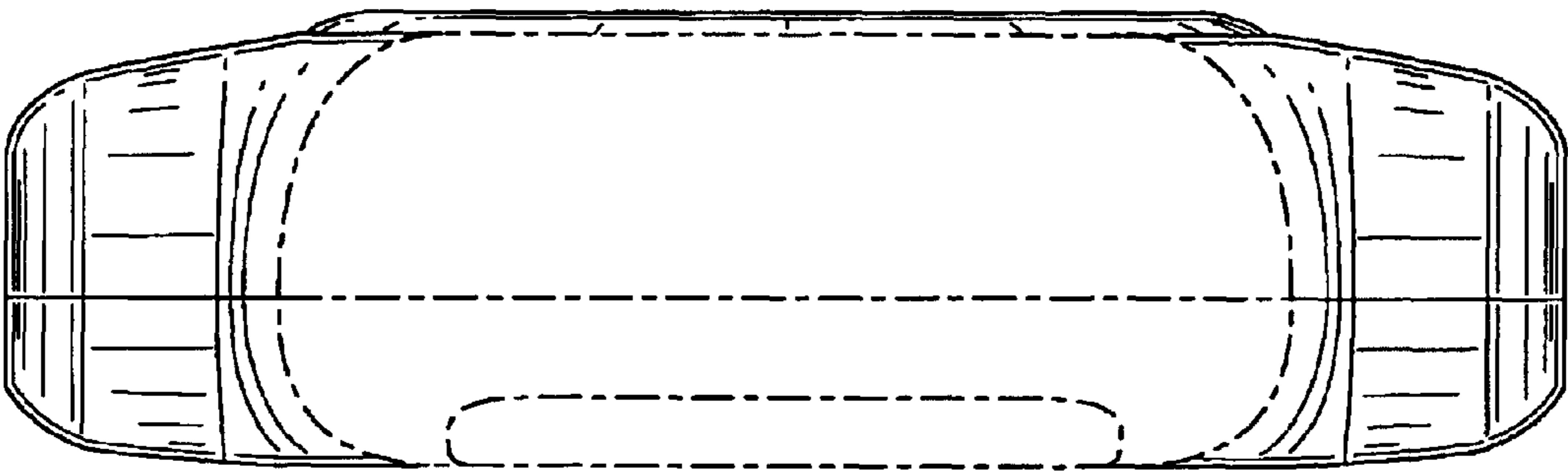


FIG. 7