

US00D496582S1

(12) **United States Design Patent**
Heck

(10) **Patent No.:** **US D496,582 S**

(45) **Date of Patent:** **** Sep. 28, 2004**

(54) **WENCH HANDLE HOLDER**

(76) **Inventor:** **Gordon Heck**, 350 Hearst Dr., Oxnard,
CA (US) 93030

(**) **Term:** **14 Years**

(21) **Appl. No.:** **29/194,736**

(22) **Filed:** **Dec. 1, 2003**

(51) **LOC (7) Cl.** **08-05**

(52) **U.S. Cl.** **D8/373; D8/71**

(58) **Field of Search** **D8/363, 373, 71;**
206/378

(56) **References Cited**

U.S. PATENT DOCUMENTS

D209,328 S	*	11/1967	Baker	D8/373
3,405,377 A	*	10/1968	Pierce	335/285
D256,425 S	*	8/1980	Hayes	D8/71
D287,333 S	*	12/1986	Knudson	D8/373
5,855,285 A	*	1/1999	Laird et al.	211/70.6

* cited by examiner

Primary Examiner—Holly Baynham

(74) *Attorney, Agent, or Firm*—Roger A. Marrs

(57) **CLAIM**

The ornamental design for a wench handle holder, substantially as shown and described.

DESCRIPTION

FIG. 1 is a front, perspective view of a wench handle holder showing my new design therefor;

FIG. 2 is a top plan view thereof with the bottom being a mirror image thereof;

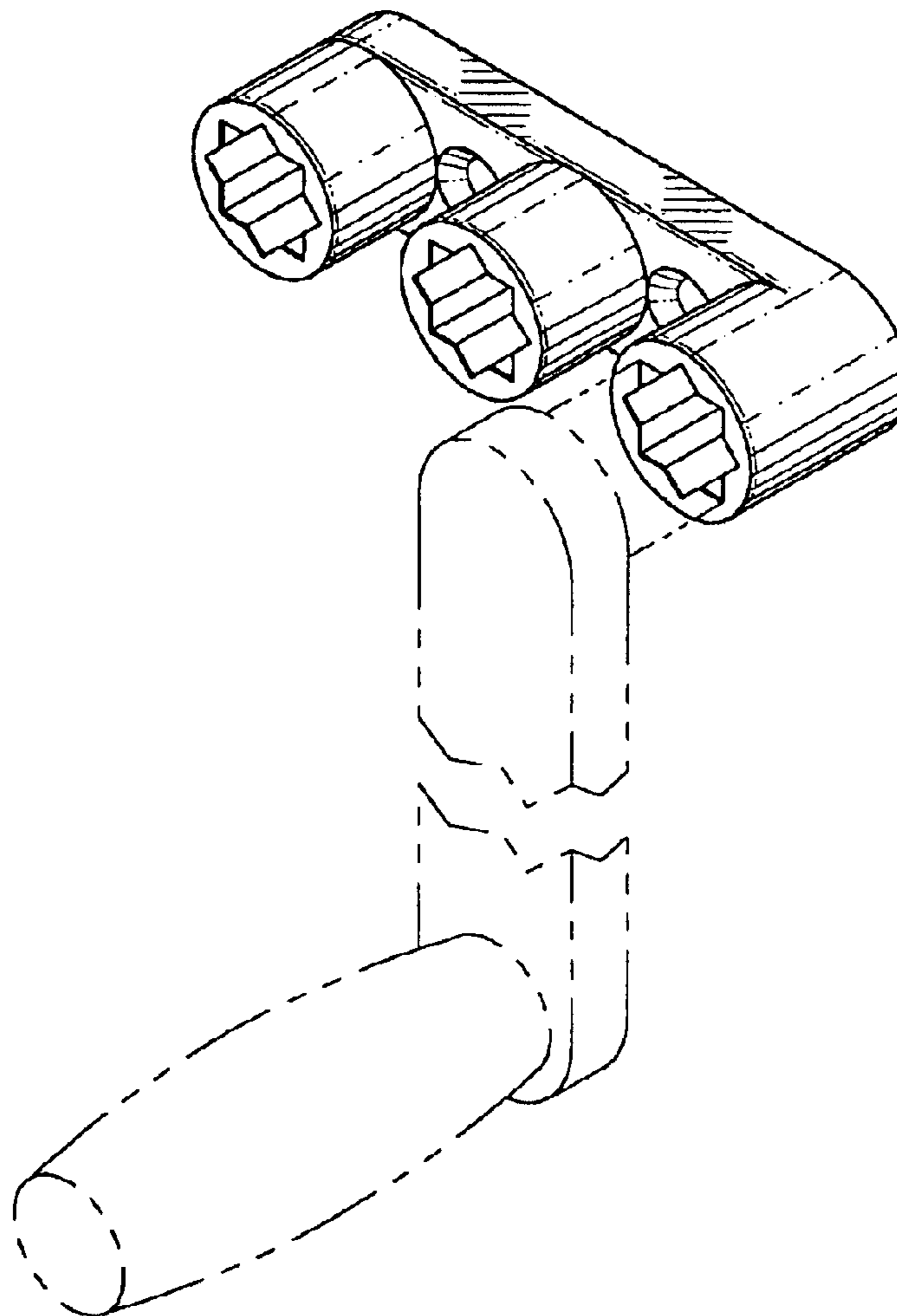
FIG. 3 is a front, elevational view thereof;

FIG. 4 is a rear elevational view thereof; and,

FIG. 5 is a side-elevational view thereof with the opposite side being a mirror image thereof.

The broken line showing of a winch is for illustrative purposes only and forms no part of the claimed design.

1 Claim, 1 Drawing Sheet



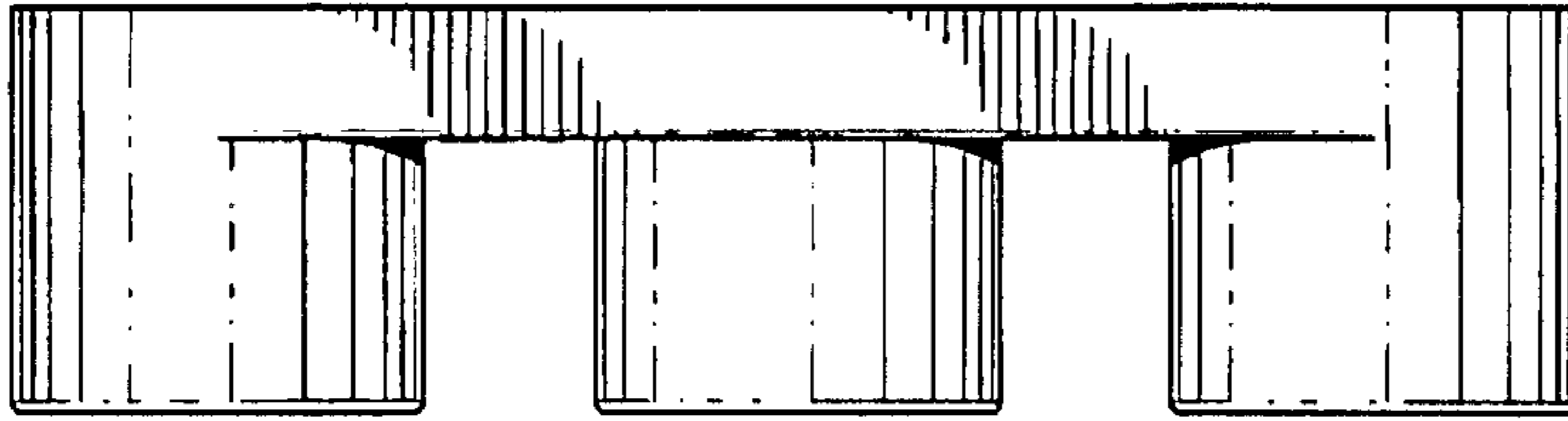


FIG. 2

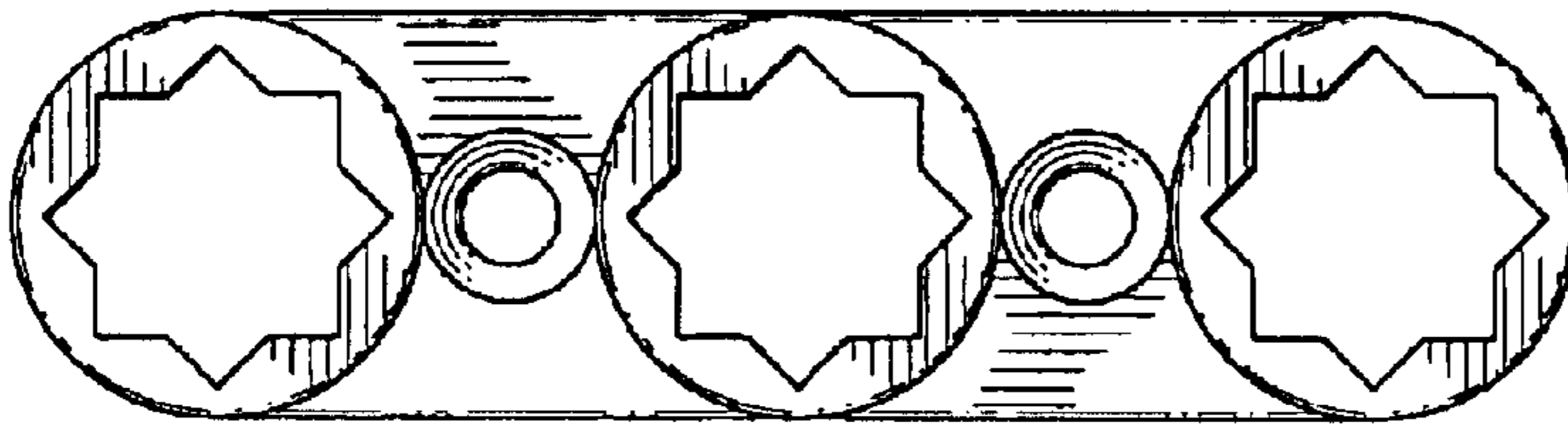


FIG. 3

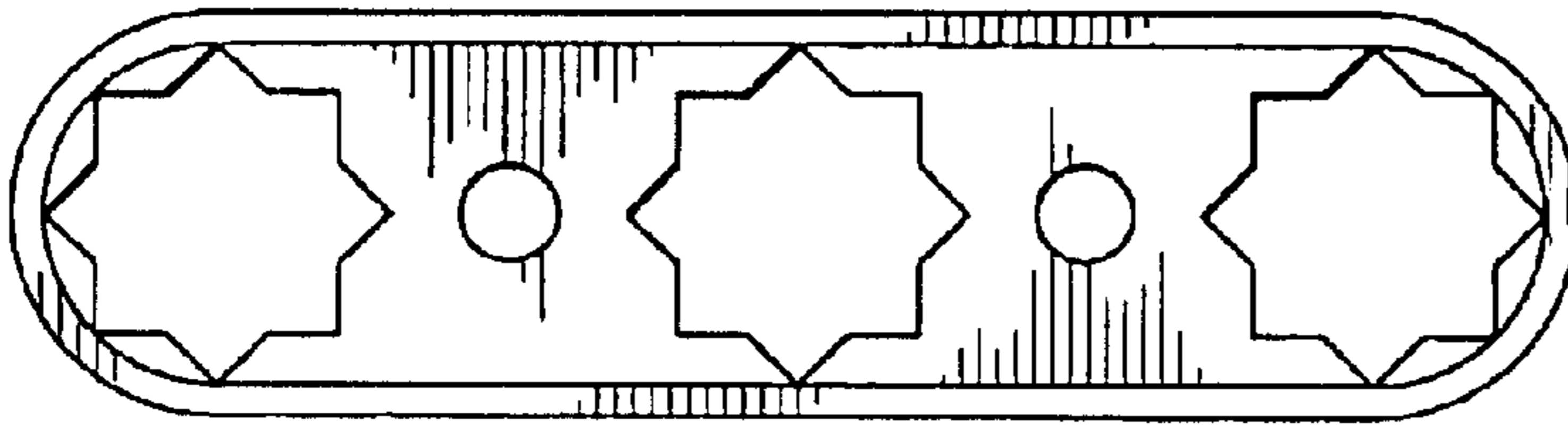


FIG. 4

FIG. 5

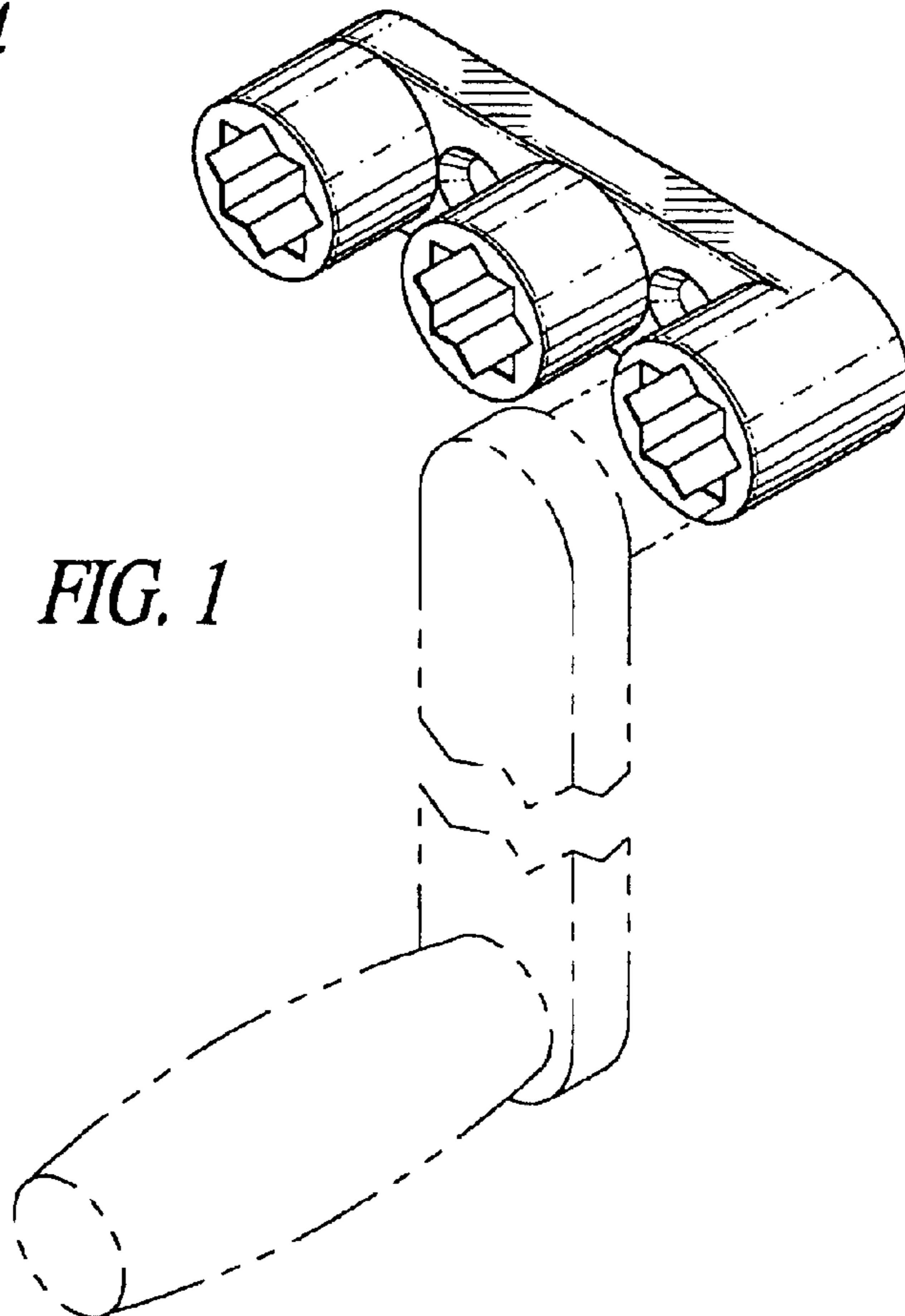
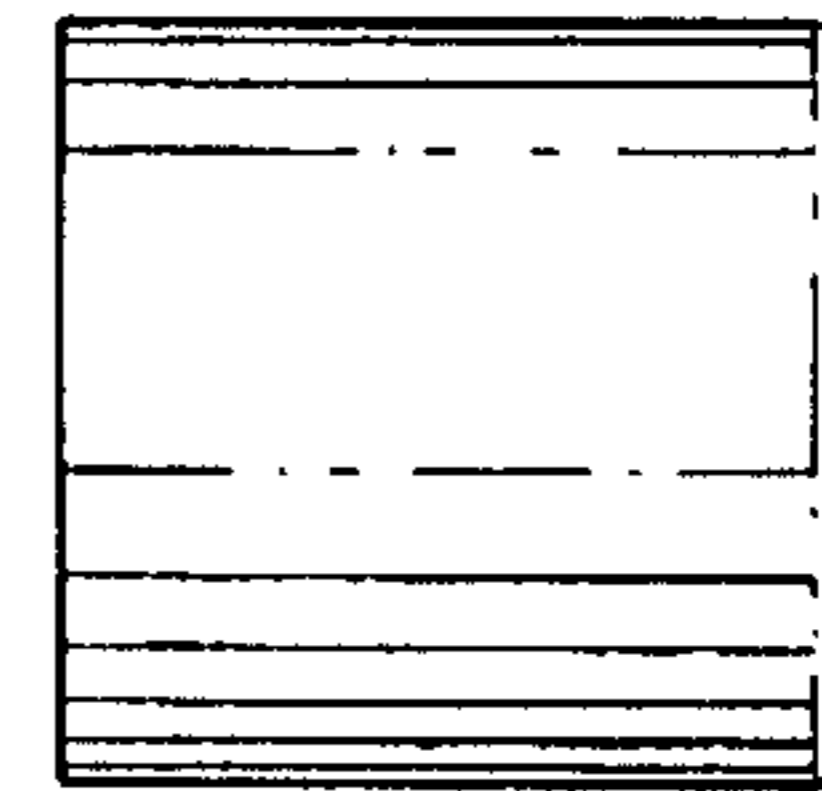


FIG. 1