

US00D496581S1

(12) **United States Design Patent**
Shaw et al.

(10) **Patent No.:** **US D496,581 S**
(45) **Date of Patent:** **** Sep. 28, 2004**

(54) **ACCESSORY HANGER**

(76) Inventors: **Sarah A. Shaw**, 1604 Courtney Ave.,
Los Angeles, CA (US) 90046; **Helena**
Apothaker, 109 S. Kilkea Dr., Los
Angeles, CA (US) 90048

5,452,806 A 9/1995 Campas
5,533,534 A 7/1996 Cariello et al.
D395,555 S * 6/1998 Ursitti D6/328
5,934,637 A 8/1999 Robinson
6,076,685 A 6/2000 Ramirez
6,158,593 A 12/2000 Olsen
2003/0146178 A1 8/2003 Brady

(**) **Term:** **14 Years**

FOREIGN PATENT DOCUMENTS

(21) **Appl. No.:** **29/194,072**

EP 540810 A1 5/1993

(22) **Filed:** **Nov. 19, 2003**

* cited by examiner

(51) **LOC (7) Cl.** **08-05**

(52) **U.S. Cl.** **D8/373**

(58) **Field of Search** D8/372-373; D6/314,
D6/328; 211/59.1, 106

Primary Examiner—Holly Baynham

(74) *Attorney, Agent, or Firm*—Knobbe, Martens, Olson &
Bear LLP

(57) **CLAIM**

(56) **References Cited**

We claim the ornamental design for an accessory hanger, as
shown and described.

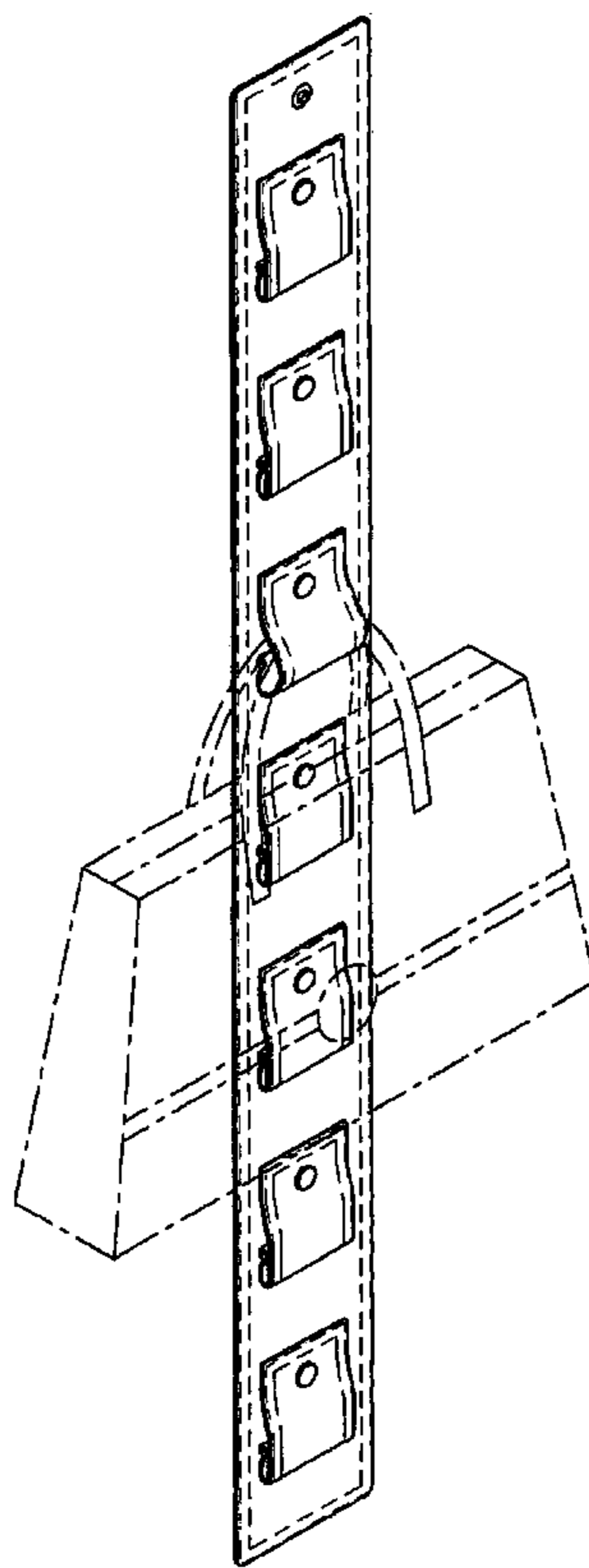
U.S. PATENT DOCUMENTS

DESCRIPTION

1,447,636 A 3/1923 White
2,359,372 A 10/1944 Leader
3,709,373 A 1/1973 Aguilar
4,654,991 A 4/1987 Jones
4,749,088 A 6/1988 Workman et al.
4,846,430 A 7/1989 Ke
D321,790 S 11/1991 Martorella
D339,979 S * 10/1993 Wehrley D8/372
D343,750 S * 2/1994 Wolf D6/514
5,295,587 A 3/1994 Downes et al.
5,333,727 A 8/1994 Hoppe
5,405,022 A * 4/1995 Rissley 211/59.1

FIG. 1 is a perspective view of an accessory hanger;
FIG. 2 is a front view of an accessory hanger;
FIG. 3 is a rear view of an accessory hanger;
FIG. 4 is a side view of an accessory hanger;
FIG. 5 is a bottom view of an accessory hanger; and,
FIG. 6 is a top view of an accessory hanger.
The broken lines showing in the drawings illustrate the
general environment in which the claimed design is utilized.

1 Claim, 2 Drawing Sheets



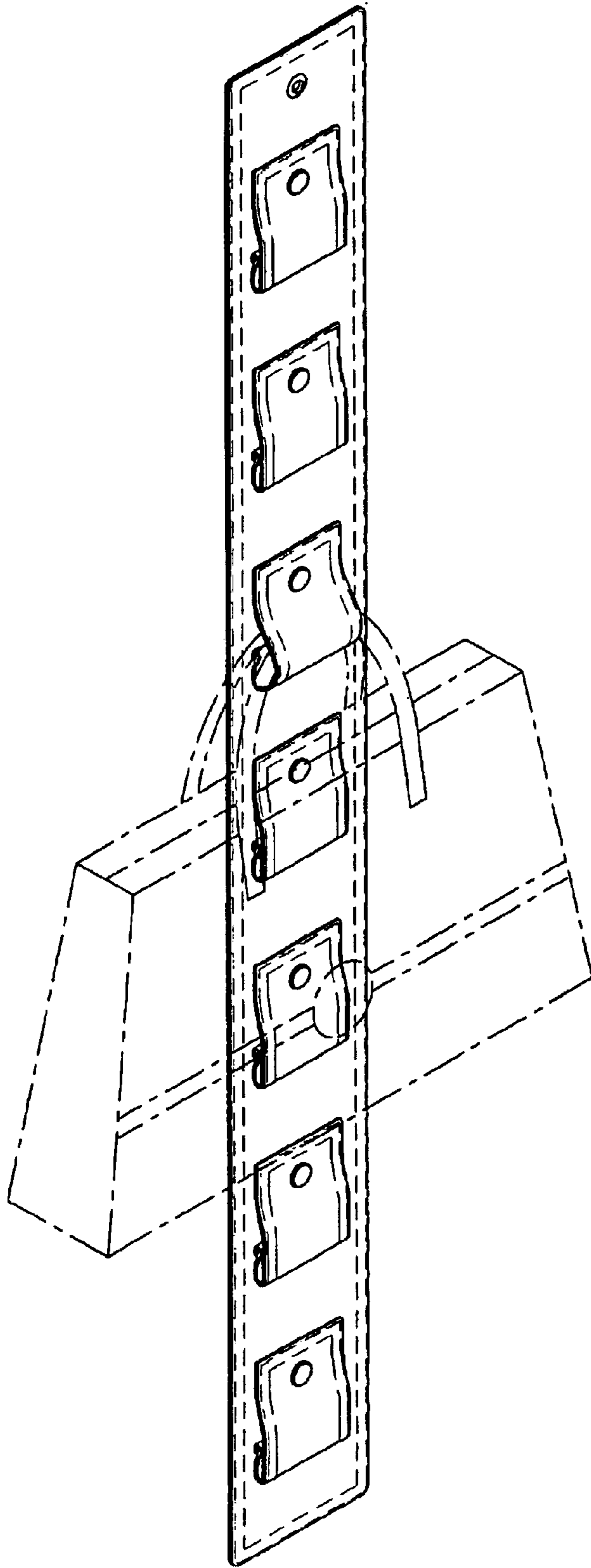


FIG. 1

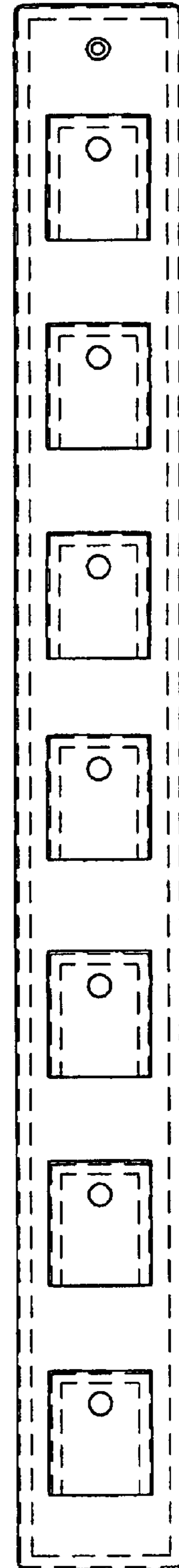


FIG. 2

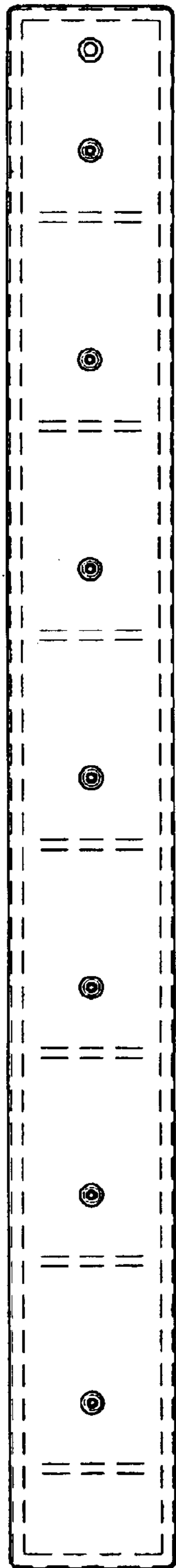


FIG. 3



FIG. 4

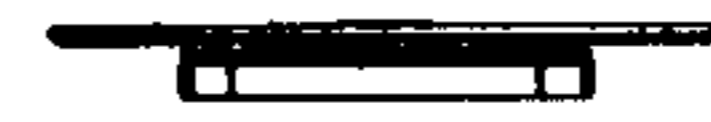


FIG. 5

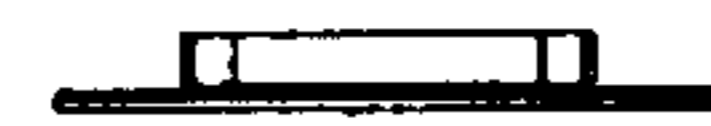


FIG. 6