

US00D496580S1

(12) **United States Design Patent**
Moen

(10) **Patent No.:** **US D496,580 S**

(45) **Date of Patent:** **** Sep. 28, 2004**

(54) **WALL HANGING SIGN BRACKET**

(75) Inventor: **Allen Moen**, Minneapolis, MN (US)

(73) Assignee: **Allied Plastics, Inc.**, Minneapolis, MN (US)

(**) Term: **14 Years**

(21) Appl. No.: **29/179,015**

(22) Filed: **Apr. 3, 2003**

(51) **LOC (7) Cl.** **08-05**

(52) **U.S. Cl.** **D8/373**

(58) **Field of Search** D8/373, 363, 354;
248/300, 309.1; D20/42

(56) **References Cited**

U.S. PATENT DOCUMENTS

D34,082 S	*	2/1901	Beck	D8/366
5,385,335 A	*	1/1995	Wurdack	254/1
D416,471 S	*	11/1999	Wurdack	D8/363
D449,220 S	*	10/2001	Wurdack	D8/363

* cited by examiner

Primary Examiner—Holly Baynham

(74) *Attorney, Agent, or Firm*—Merchant & Gould P.C.

(57) **CLAIM**

The ornamental design for a wall hanging sign bracket, as shown and described.

DESCRIPTION

FIG. 1 is a front and top left perspective view of the invention.

FIG. 2 is a front elevation view of the wall hanging sign bracket of FIG. 1.

FIG. 3 is a back elevation view of the wall hanging sign bracket of FIG. 1.

FIG. 4 is a right side elevation view of the wall hanging sign bracket of FIG. 1.

FIG. 5 is a top plan view of the wall hanging sign bracket of FIG. 1; and,

FIG. 6 is a bottom plan view of the wall hanging sign bracket of FIG. 1.

1 Claim, 3 Drawing Sheets

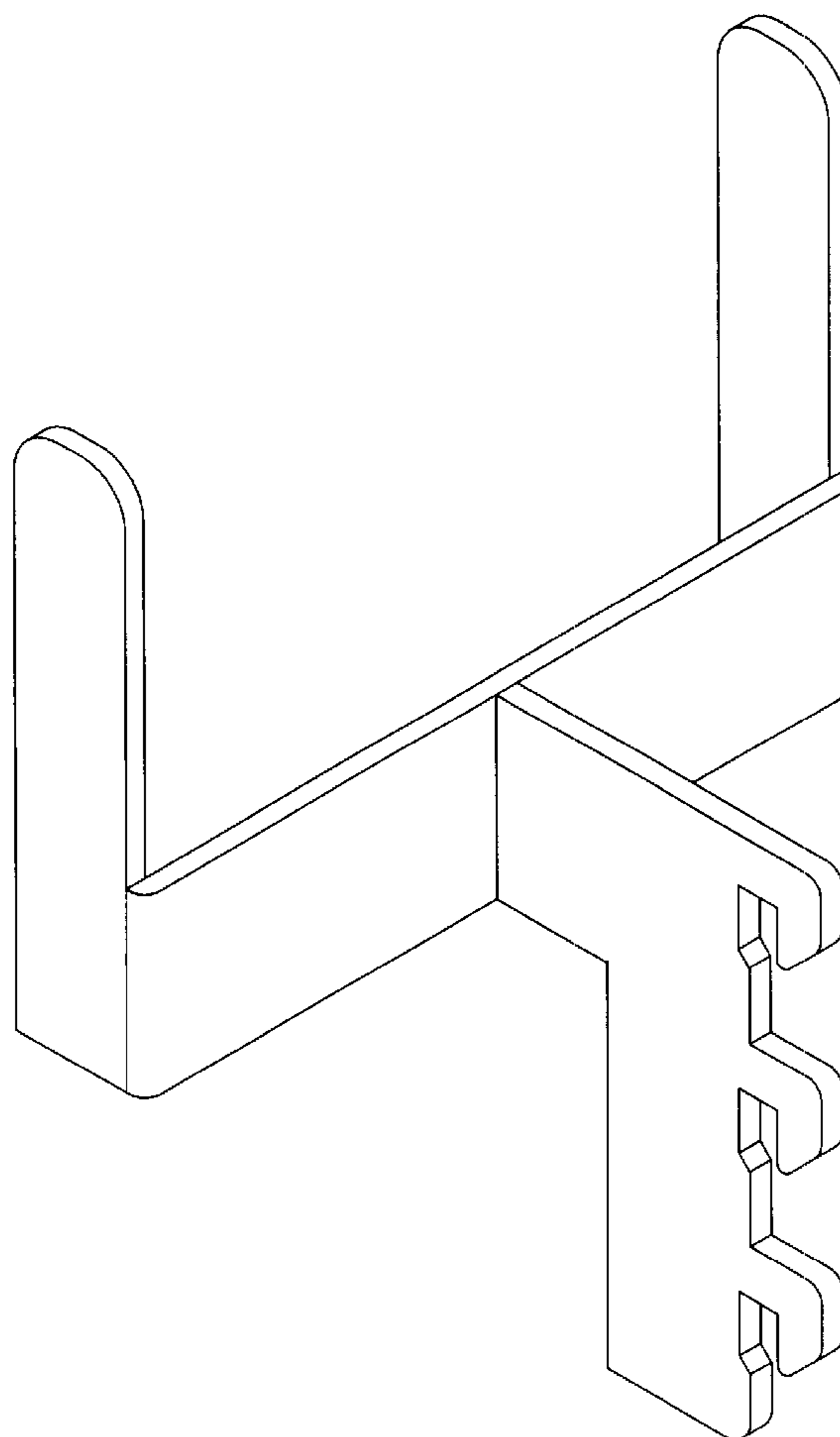


FIG. 1

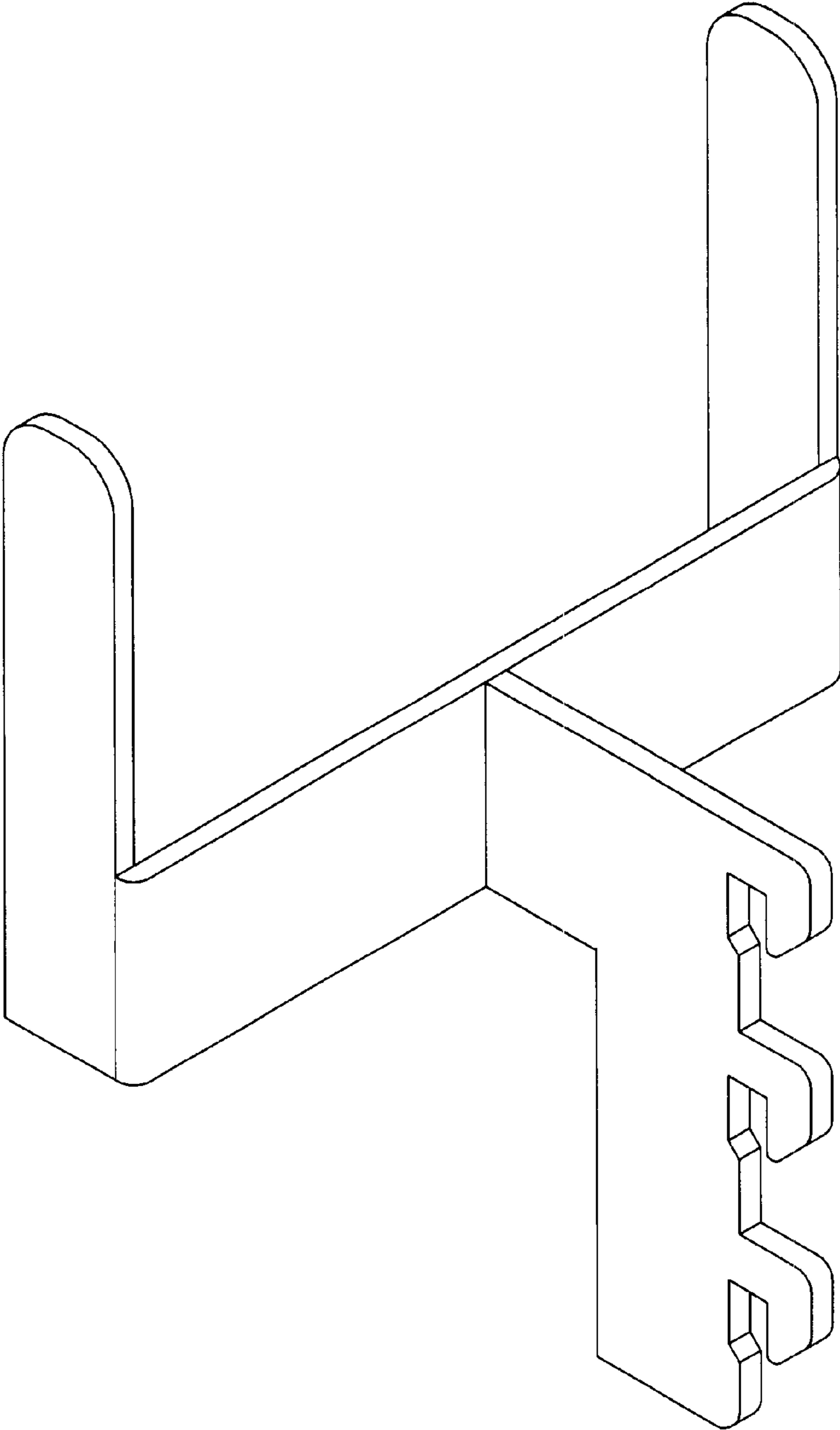


FIG.3

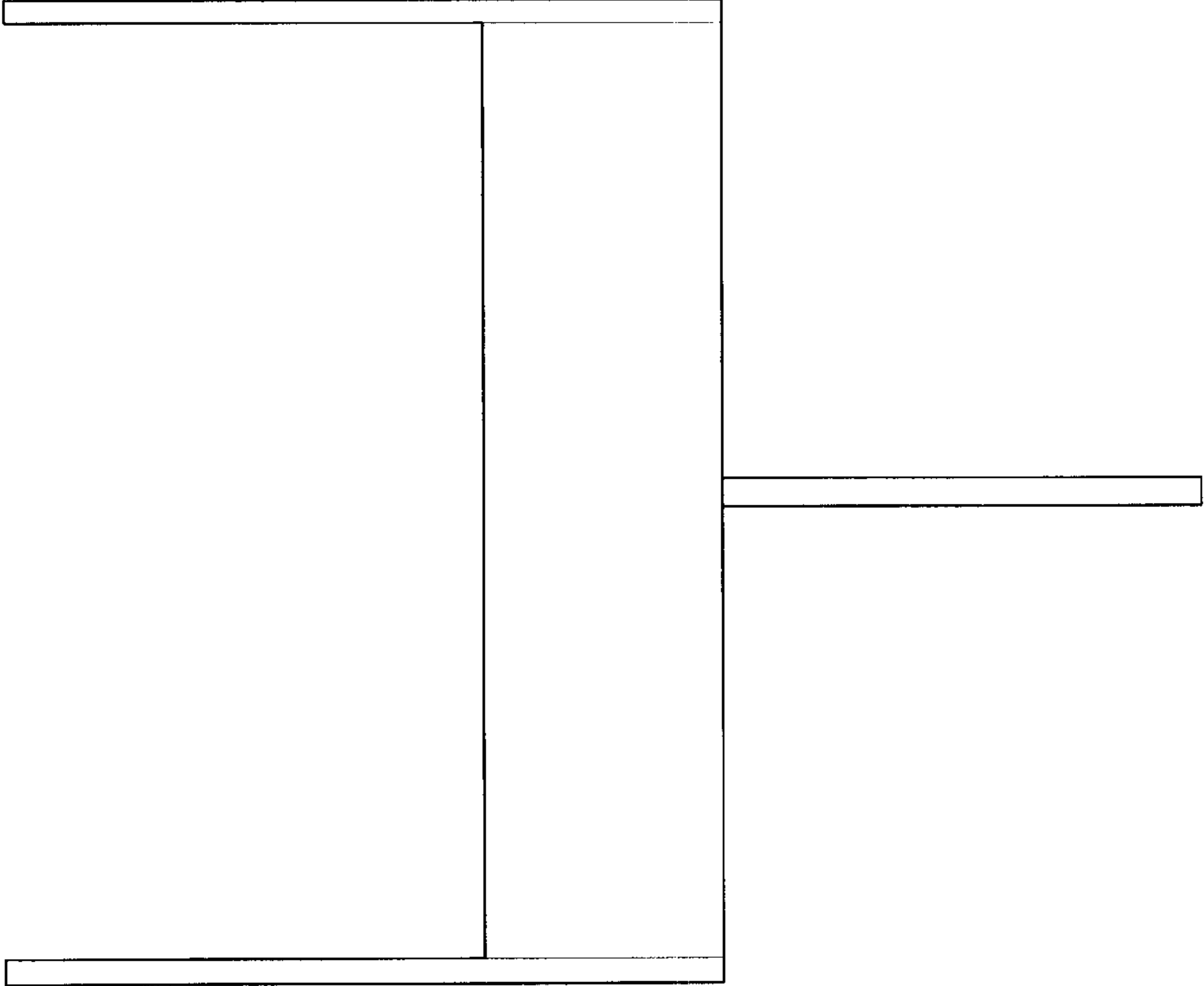


FIG.2

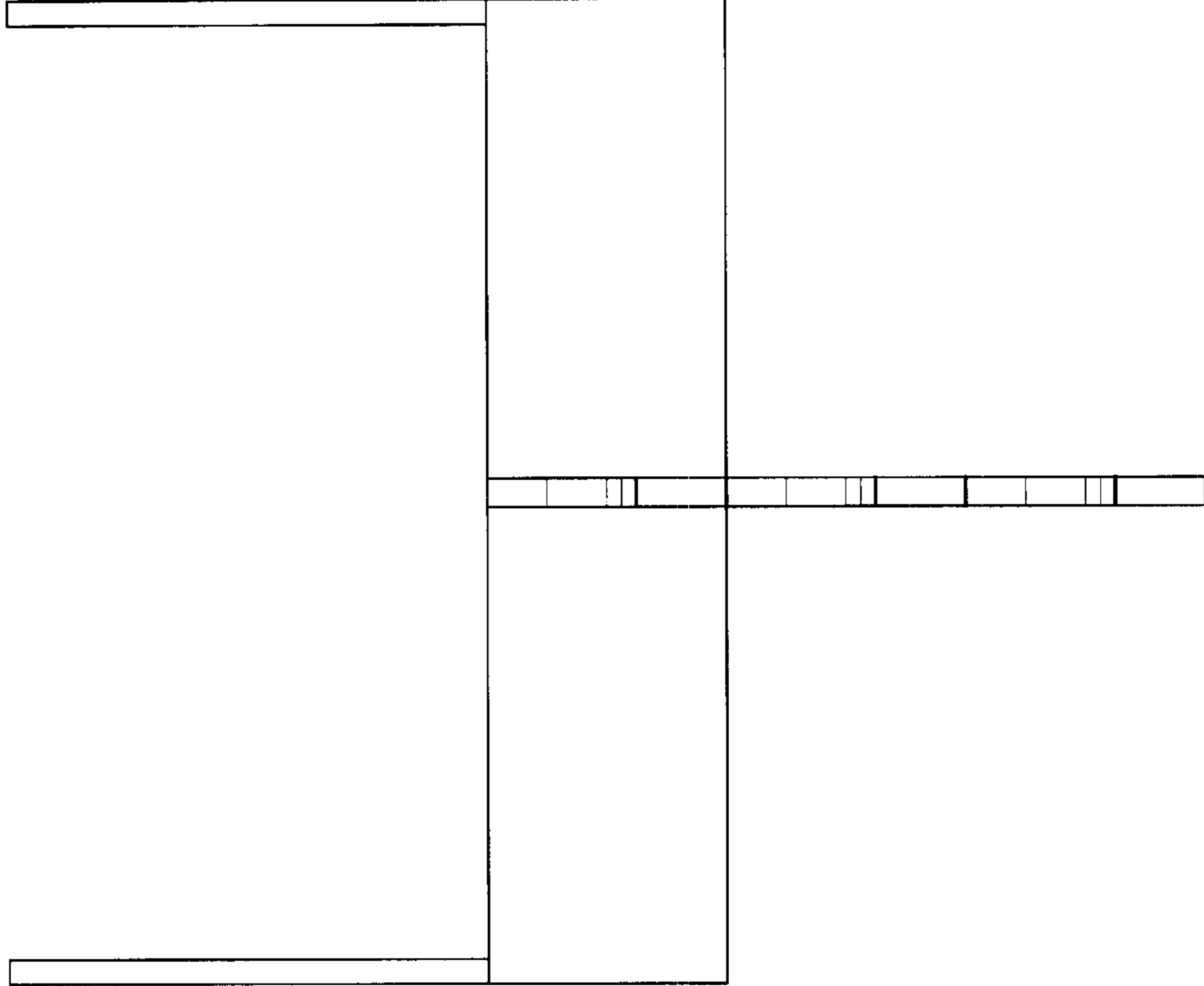


FIG.5

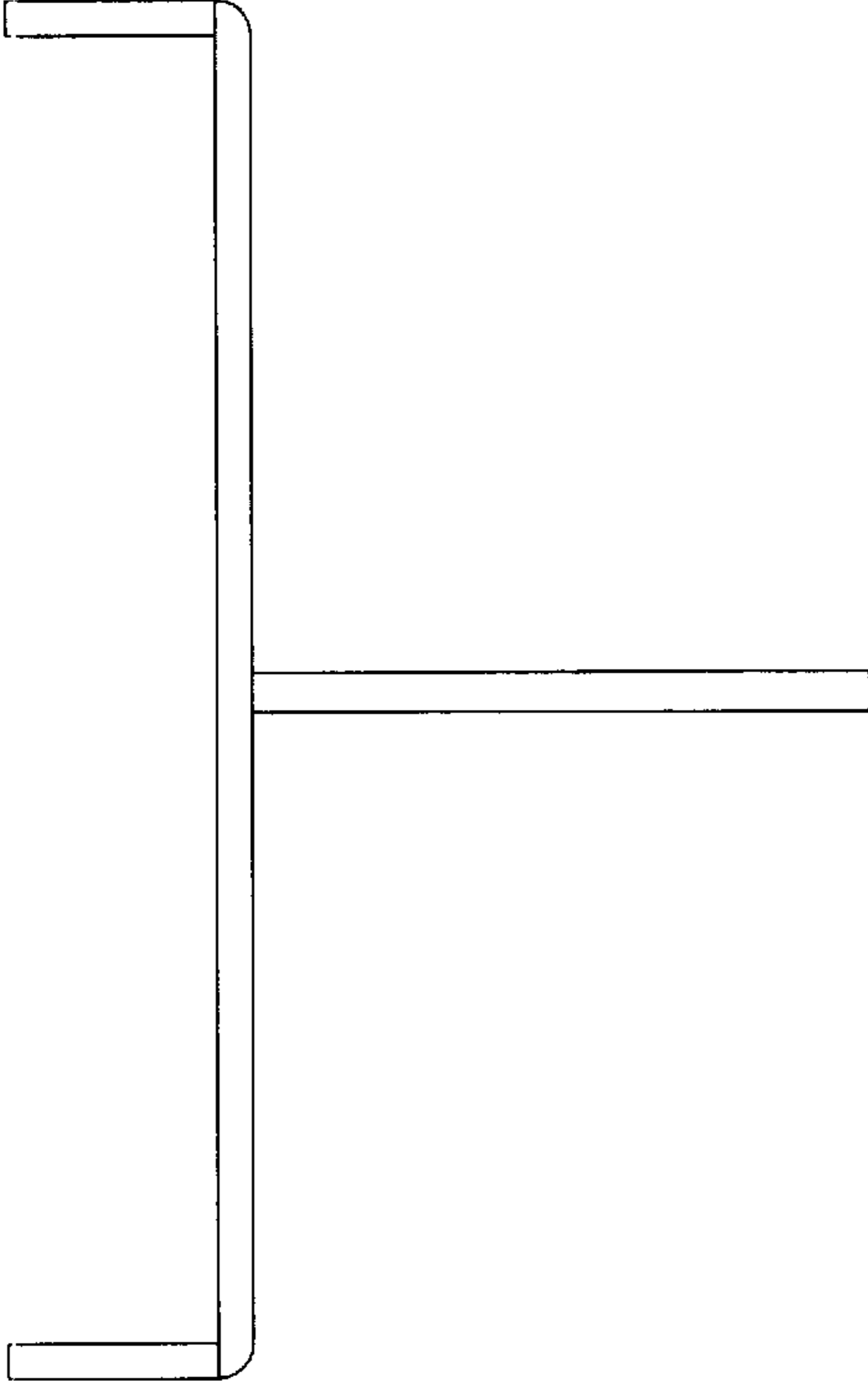


FIG.6

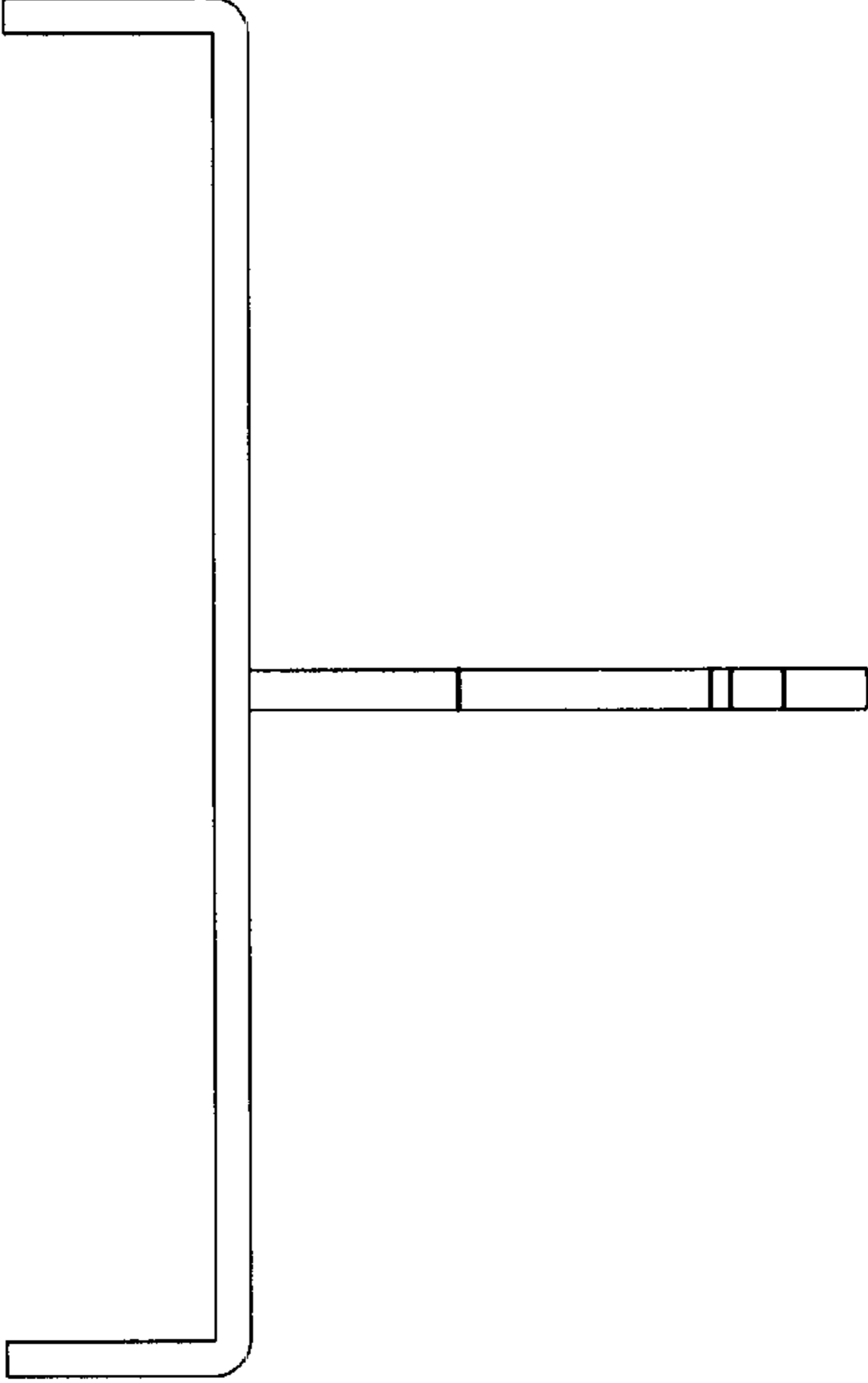


FIG.4

