

US00D496577S1

(12) **United States Design Patent** (10) **Patent No.:** **US D496,577 S**
Cohrs, Jr. et al. (45) **Date of Patent:** **** Sep. 28, 2004**

(54) **DOOR EXIT DEVICE**
(75) Inventors: **Richard Bettin Cohrs, Jr.**, New Palestine, IN (US); **Eric K. Arthur**, Brownsburg, IN (US); **Marlin Austin**, Speedway, IN (US); **Loren D. Mueller**, Indianapolis, IN (US)

5,114,192 A 5/1992 Toledo et al.
5,372,394 A 12/1994 Salter et al.
5,412,961 A 5/1995 Cain et al.
5,464,259 A 11/1995 Cohrs et al.
5,609,371 A 3/1997 Mader et al.
5,673,949 A 10/1997 Mader et al.

(List continued on next page.)

(73) Assignee: **Dor-O-Matic, Inc.**, Harwood Heights, IL (US)

(**) Term: **14 Years**

(21) Appl. No.: **29/166,609**

(22) Filed: **Aug. 30, 2002**

(51) **LOC (7) Cl.** **08-06**

(52) **U.S. Cl.** **D8/321**

(58) **Field of Search** D8/321, 300, 301,
D8/302; 292/92, 93, 94, DIG. 54, 347,
DIG. 65; 70/92

(56) **References Cited**

U.S. PATENT DOCUMENTS

3,582,122 A 6/1971 Foster et al.
3,614,145 A 10/1971 Zawadzki
3,663,047 A 5/1972 Zawadzki
3,730,574 A 5/1973 Zawadzki
3,767,238 A 10/1973 Zawadzki
3,854,763 A 12/1974 Zawadzki et al.
4,083,590 A 4/1978 Folger
4,167,280 A 9/1979 Godec et al.
4,225,163 A 9/1980 Hubbard et al.
4,458,928 A 7/1984 Hirschbein
4,488,378 A 12/1984 Symon
4,624,120 A 11/1986 Hoffman et al.
4,741,563 A 5/1988 Cohrs
4,839,988 A 6/1989 Betts et al.
4,961,330 A * 10/1990 Evans 70/21
5,011,199 A 4/1991 Lowe et al.
5,031,945 A 7/1991 Toledo
5,042,852 A 8/1991 Vitt et al.
5,067,757 A 11/1991 Cohrs et al.
5,085,475 A 2/1992 Austin et al.

OTHER PUBLICATIONS

Dor-O-Matic 1390 Series Mid-Panel Concealed Vertical Rod Exit Device General information, dated Mar. 1989.
NT Dor-O-Matic Greendale 1390 Mid-Panel Exit Device Parts List, Field Disassembly, and Reassembly Manual "Front Load", dated Jan. 1997.
Kawneer Installation Paneline/Panic Guard Exit Device Service & Adjustment Instructions, dated Feb. 1997.
Dor-O-Matic Exit Device Condensed Catalog, pp. 1-6, dated Feb. 2002.
Von Duprin Inpact 94 and 95 Series Exit Devices with a copyright date of 2000.

Primary Examiner—Paula A. Greene

(74) *Attorney, Agent, or Firm*—Michael Best & Friedrich LLP

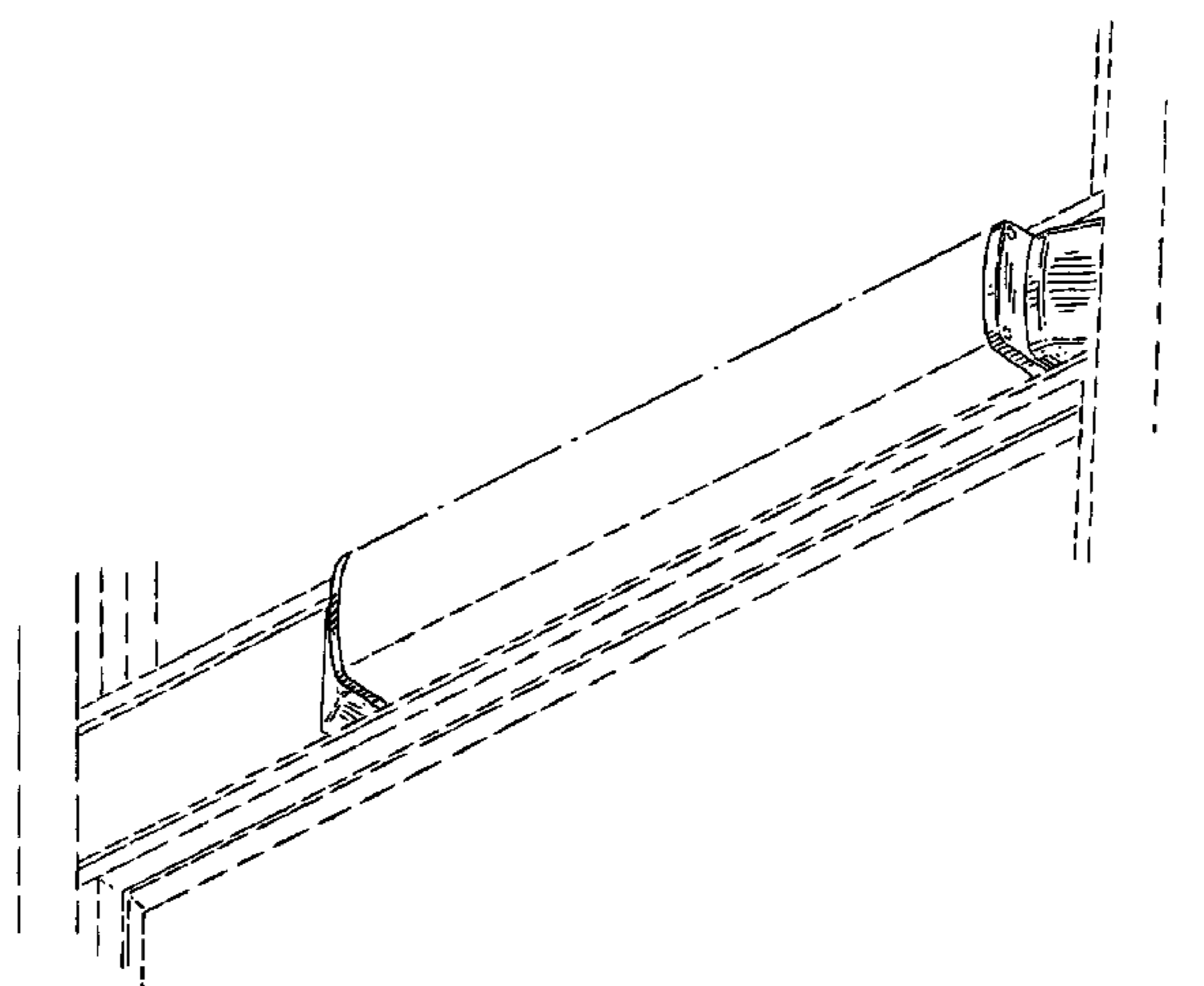
(57) **CLAIM**

We claim the ornamental design for a door exit device, as shown and described.

DESCRIPTION

FIG. 1 is a front perspective view illustrating a door exit device.
FIG. 2 is front view illustrating the design shown in FIG. 1.
FIG. 3 is a bottom view illustrating the design shown in FIG. 1; and,
FIG. 4 is a side view illustrating the left side of the design shown in FIG. 1.
The broken line showing of the environment is for illustrative purposes only and forms no part of the claimed design. The broken lines which define the boundaries of the claimed design form no part thereof.

1 Claim, 2 Drawing Sheets



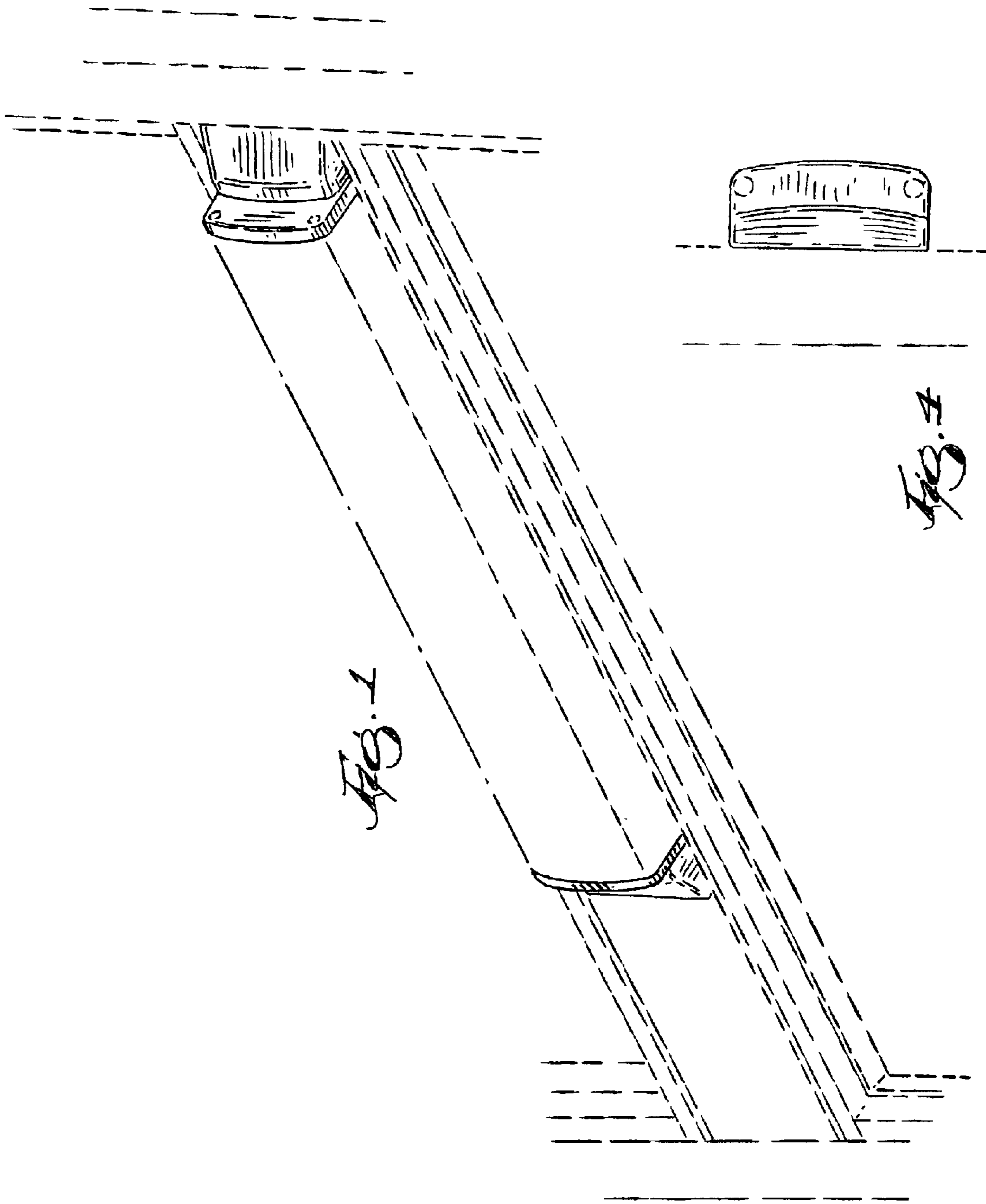
US D496,577 S

Page 2

U.S. PATENT DOCUMENTS

5,682,778 A	11/1997	Cohrs et al.	D434,339 S	11/2000	Siller et al.	
5,762,385 A	6/1998	Mader et al.	6,145,897 A	* 11/2000	Locher	292/92
5,904,384 A	5/1999	Mader et al.	6,205,825 B1	3/2001	Haeck et al.	
5,927,765 A	7/1999	Austin et al.	6,304,177 B1	10/2001	Nigro, Jr. et al.	
D425,810 S	5/2000	Siller et al.	D451,359 S	12/2001	DePass	
D430,786 S	9/2000	Hickman et al.	6,409,232 B1	6/2002	Nigro, Jr. et al.	
D433,307 S	11/2000	Hickman et al.	6,485,066 B1	11/2002	Nigro, Jr. et al.	

* cited by examiner



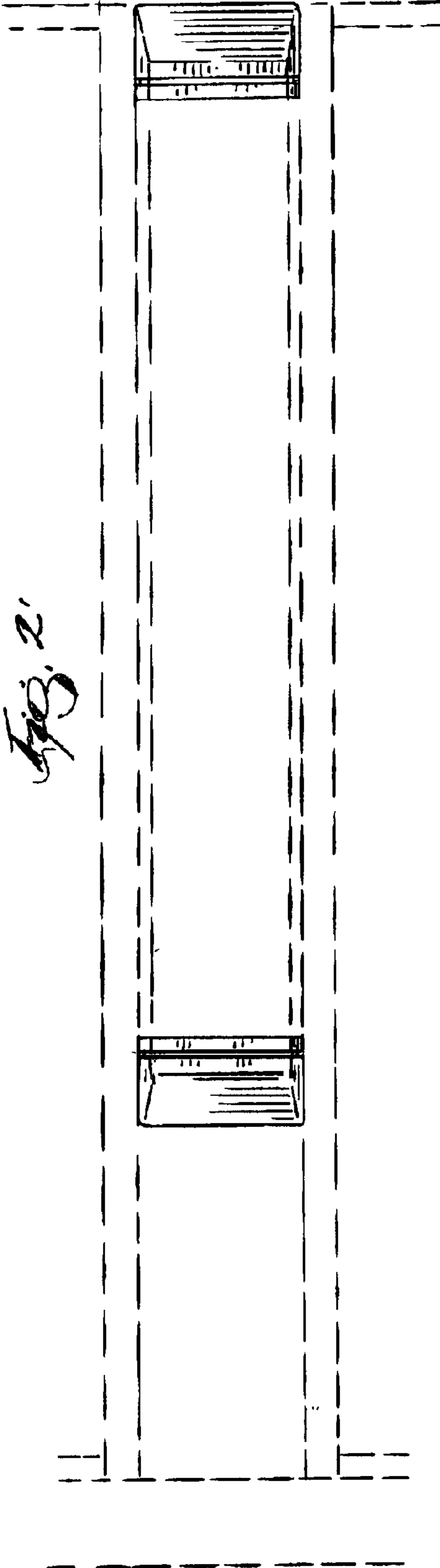


Fig. 2



Fig. 3