

US00D496571S1

(12) **United States Design Patent**
Kay

(10) **Patent No.:** **US D496,571 S**

(45) **Date of Patent:** **** Sep. 28, 2004**

(54) **CORKSCREW OPENER**

(75) Inventor: **Neil J. Kay**, Rolling Hills, CA (US)

(73) Assignee: **Cisco Sales Corporation**, Torrance, CA (US)

(**) Term: **14 Years**

(21) Appl. No.: **29/194,041**

(22) Filed: **Nov. 19, 2003**

(51) **LOC (7) Cl.** **07-06**

(52) **U.S. Cl.** **D8/42; D8/34**

(58) **Field of Search** D8/16-19, 33-43,
D8/21, 26, 29; D11/157-162; 7/151-156,
118; 81/3.07-3.49, 52, 119-125.1, 177.1-177.6,
436, 437

(56) **References Cited**

U.S. PATENT DOCUMENTS

4,996,895	A	*	3/1991	Brucart Puig	81/3.09
D347,775	S	*	6/1994	Seiler	D8/34
D393,993	S	*	5/1998	De Bergen	D8/43
6,116,116	A	*	9/2000	Brucart Puig et al.	81/3.37
D455,623	S	*	4/2002	Farfalli	D8/42

* cited by examiner

Primary Examiner—Caron D. Veynar

(74) *Attorney, Agent, or Firm*—Irving Keschner

(57) **CLAIM**

The ornamental design for a corkscrew opener, as shown.

DESCRIPTION

FIG. 1 is a front elevational view of the improved corkscrew opener.

FIG. 2 is an inverted rear view of the corkscrew opener of the present invention;

FIG. 3 is a top view of the corkscrew opener shown in FIG. 1;

FIG. 4 is a bottom view of the corkscrew opener shown in FIG. 1;

FIG. 5 is a left end view of the corkscrew opener shown in FIG. 1;

FIG. 6 is a right end view of the corkscrew opener shown in FIG. 1;

FIG. 7 is a rear view of the corkscrew opener with the blade in the open position; and,

FIG. 8 is a front view of the corkscrew opener with the pivotable components in the open position except for the blade.

1 Claim, 2 Drawing Sheets

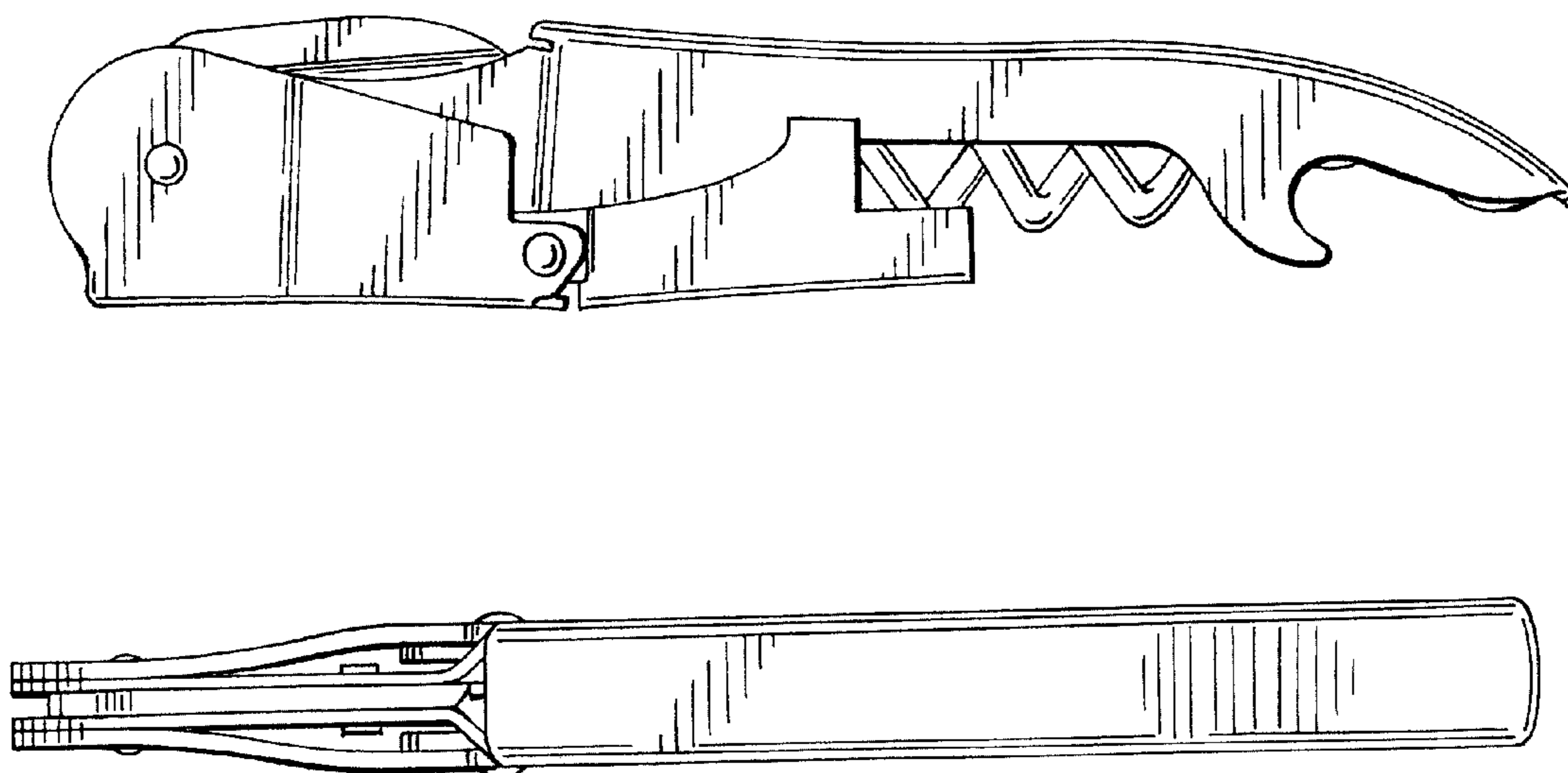


FIG. 1

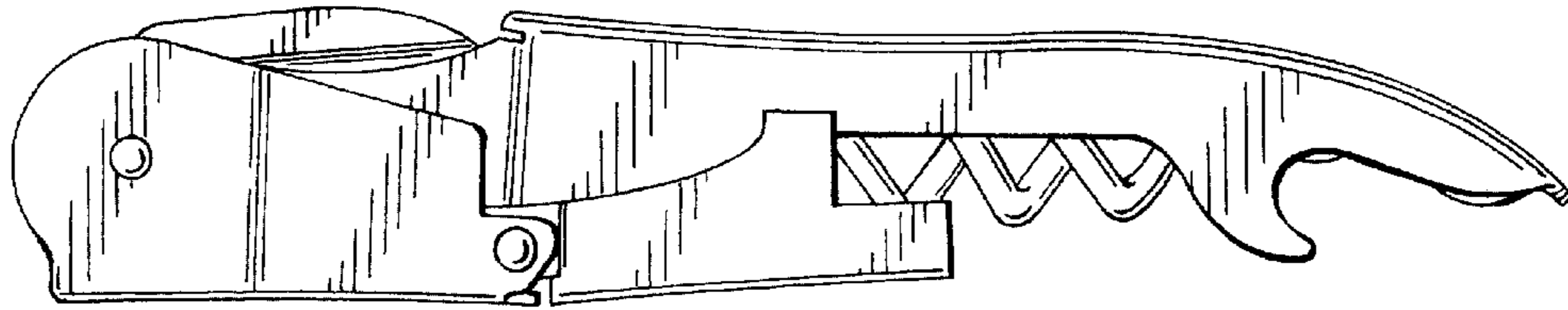


FIG. 2

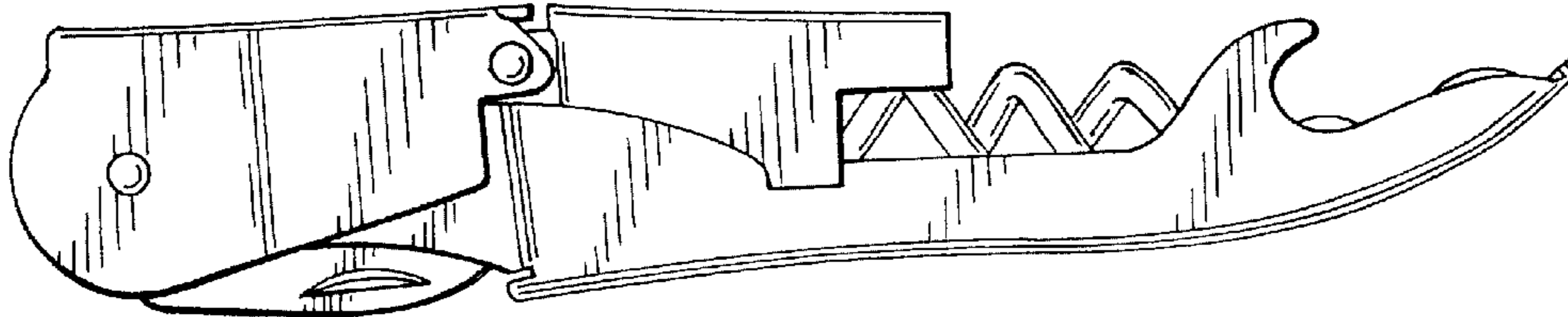


FIG. 3

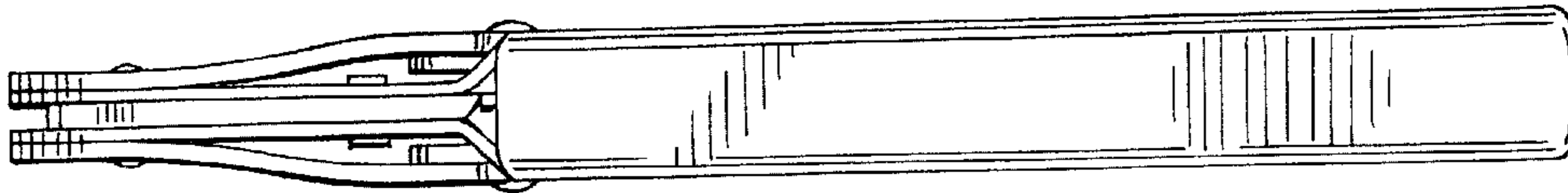


FIG. 4



FIG. 5

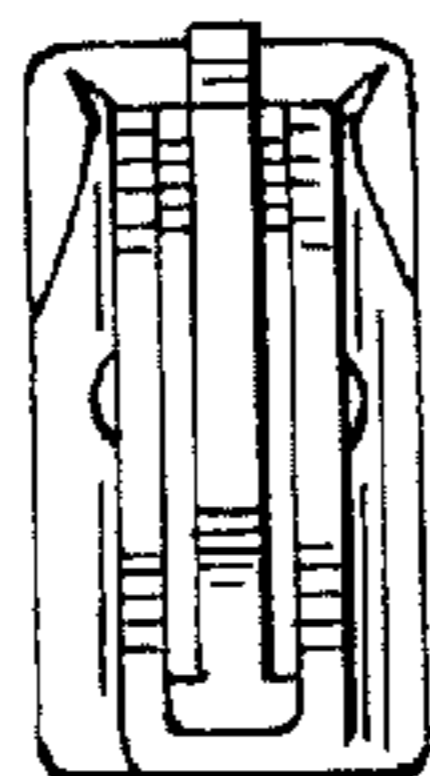


FIG. 6

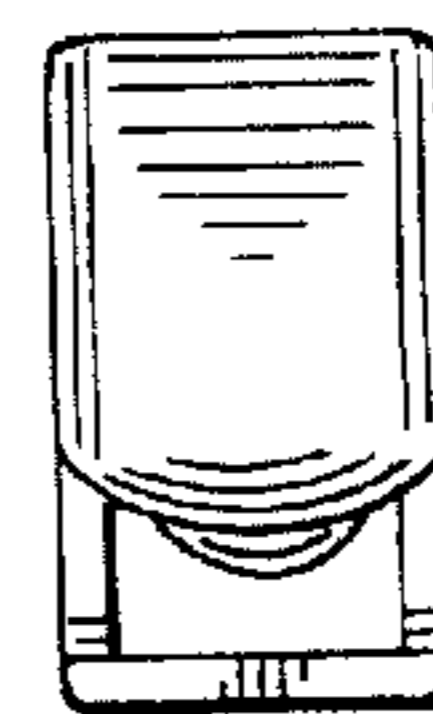


FIG. 7

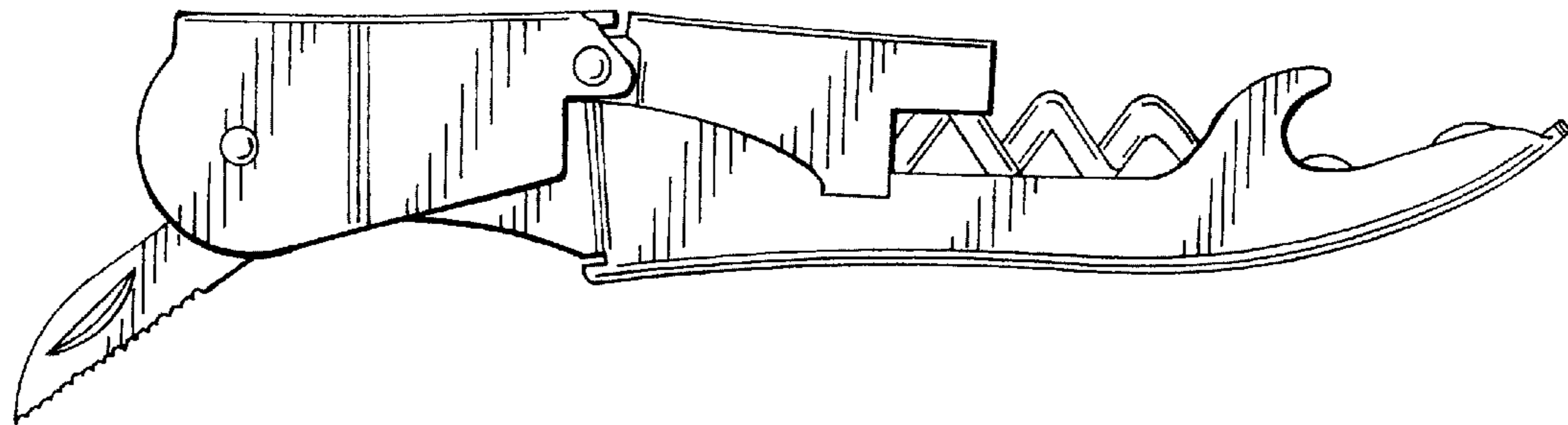


FIG. 8

