

US00D496569S1

(12) **United States Design Patent**  
**Shun**

(10) **Patent No.:** **US D496,569 S**

(45) **Date of Patent:** **\*\* Sep. 28, 2004**

(54) **THREE-IN-ONE OPENER**

D487,218 S \* 3/2004 Aronson ..... D8/40

(76) **Inventor:** **So Shun**, 2nd Floor, Chuan Yuan  
Factory Building, 342-344 Kwun Tong  
Road, Kwun Tong Kowloon (HK)

\* cited by examiner

*Primary Examiner*—Caron D. Veynar  
(74) *Attorney, Agent, or Firm*—Leydig, Voit & Mayer, Ltd.

(\*\*) **Term:** **14 Years**

(57) **CLAIM**

(21) **Appl. No.:** **29/192,917**

The ornamental design for a three-in-one opener, as shown  
and described.

(22) **Filed:** **Nov. 3, 2003**

(30) **Foreign Application Priority Data**

**DESCRIPTION**

May 2, 2003 (EM) ..... 000018155

FIG. 1 is a top perspective view of a three-in-one opener  
showing my new design;  
FIG. 2 is a top plan view thereof;  
FIG. 3 is a bottom plan view thereof;  
FIG. 4 is a left side elevational view thereof;  
FIG. 5 is a right side elevational view thereof;  
FIG. 6 is a front elevational view thereof; and,  
FIG. 7 is a rear elevational view thereof.

(51) **LOC (7) Cl.** ..... **07-99**

(52) **U.S. Cl.** ..... **D8/40**

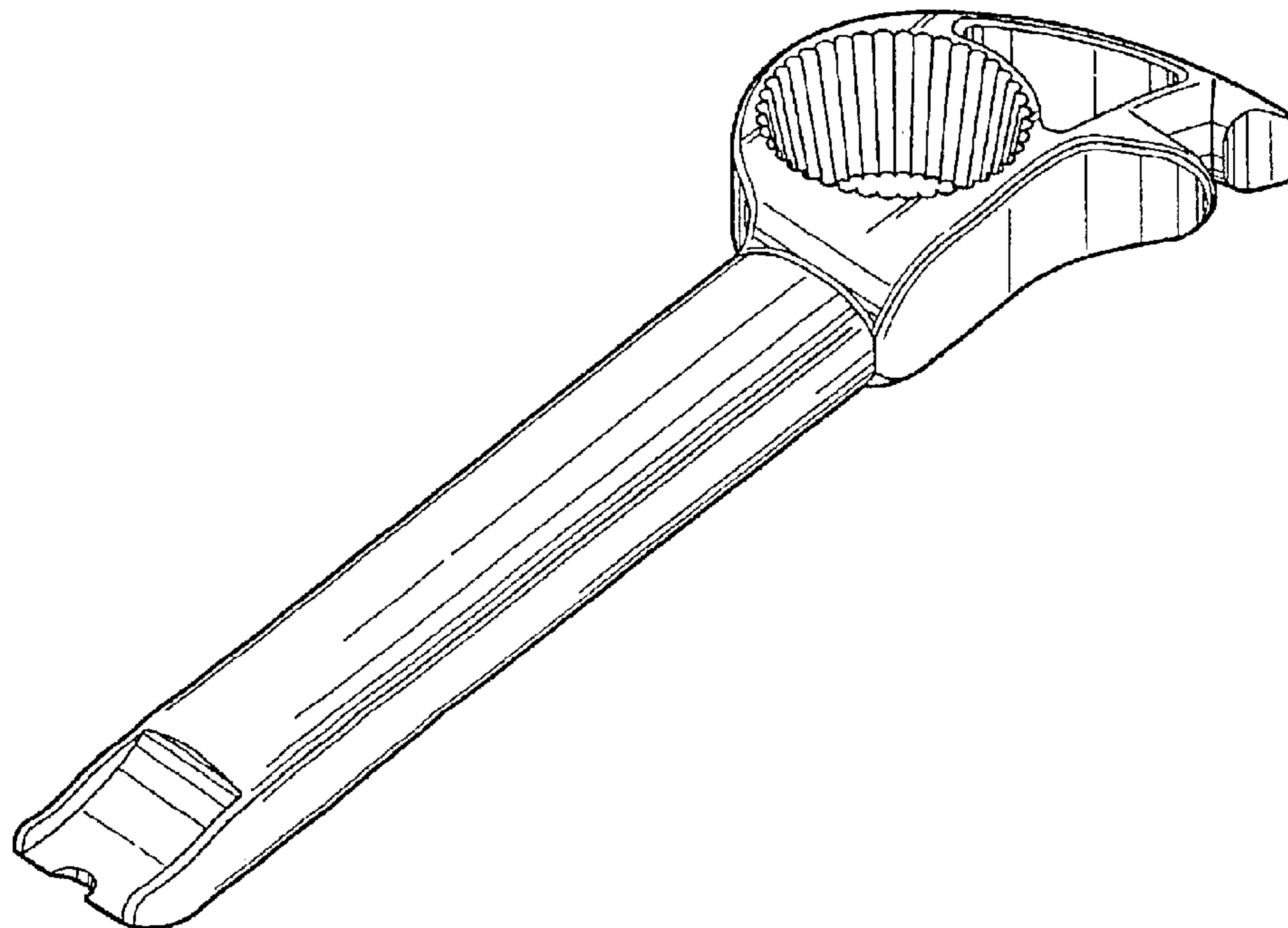
(58) **Field of Search** ..... D8/16-19, 33-43,  
D8/21, 26, 29, 88, 89, 105; D11/157-162;  
7/151-156, 118, 166; 81/3.07-3.49, 52,  
119-125.1, 177.1-177.6, 436, 437

(56) **References Cited**

**U.S. PATENT DOCUMENTS**

D240,188 S \* 6/1976 Lytle ..... D8/18

**1 Claim, 4 Drawing Sheets**



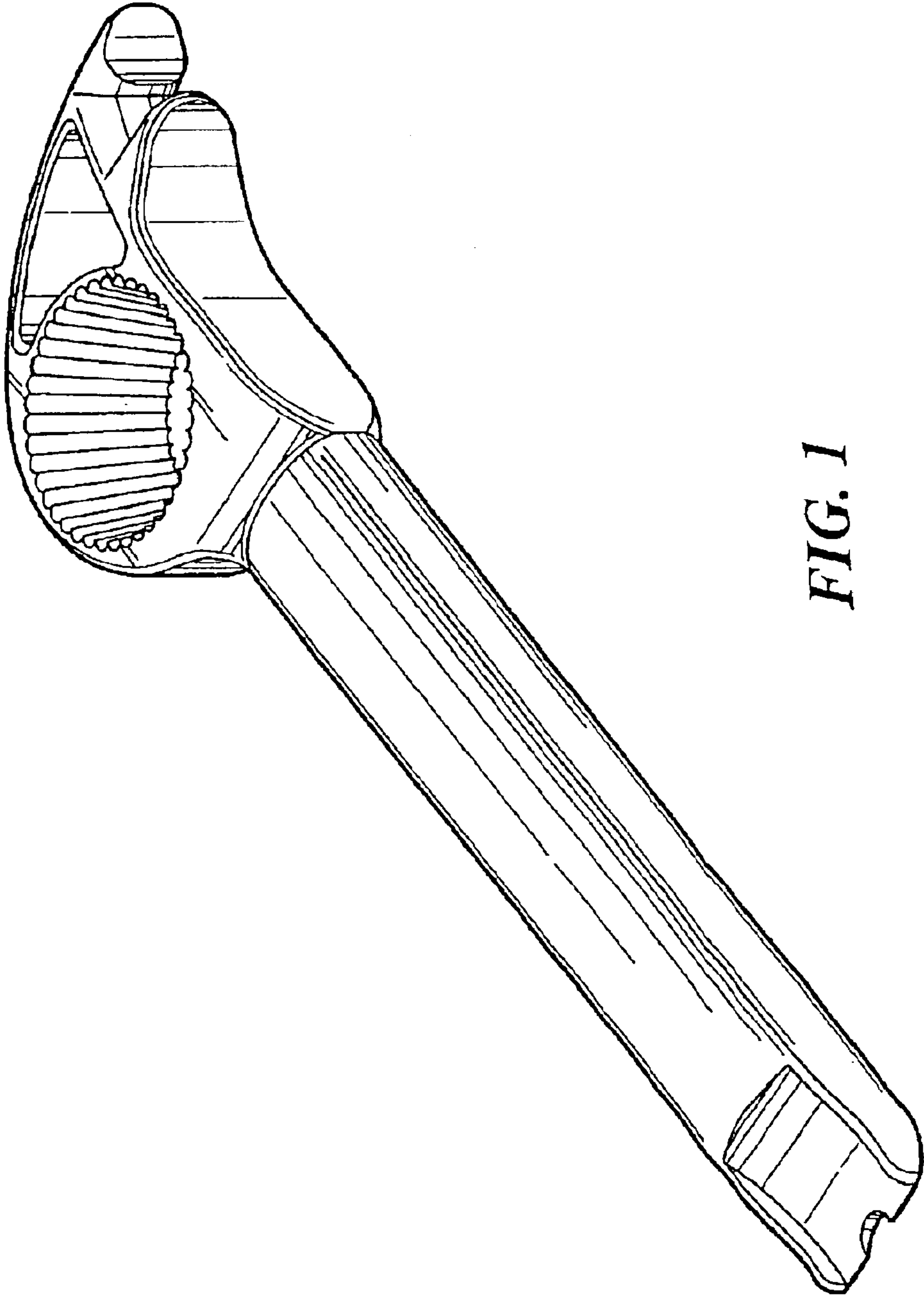
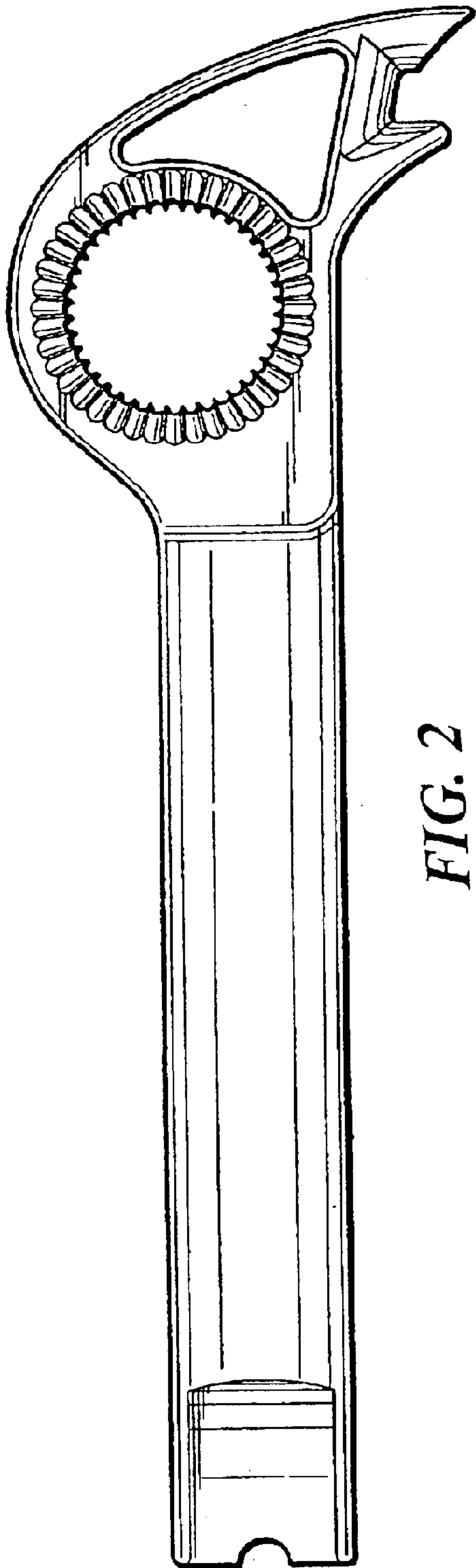
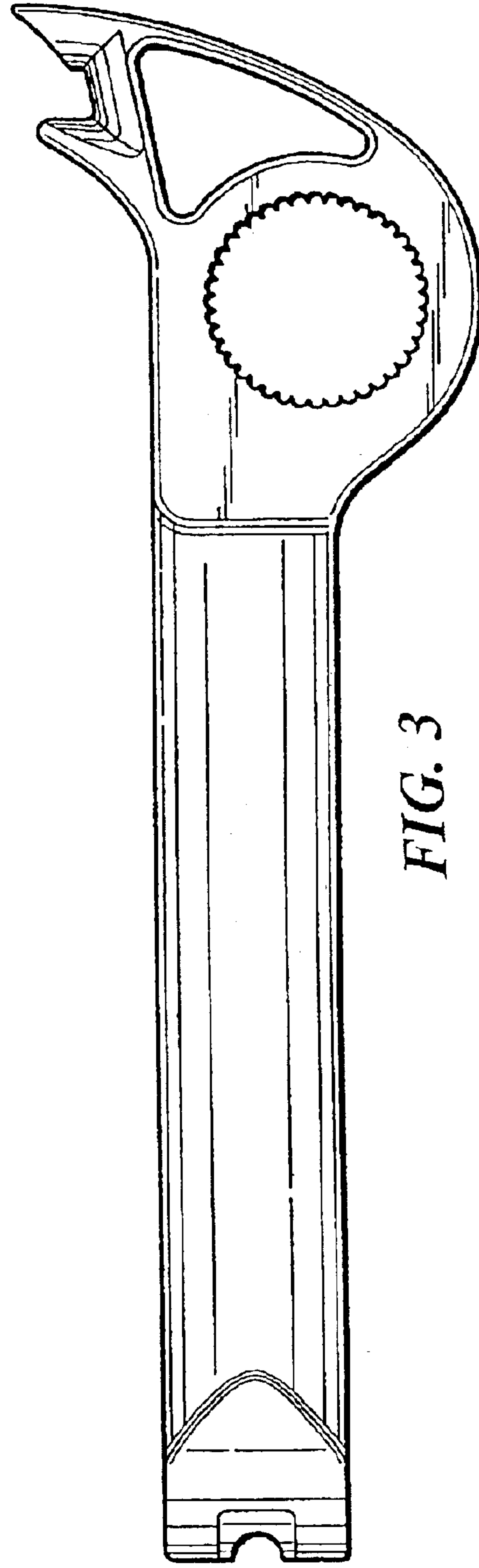


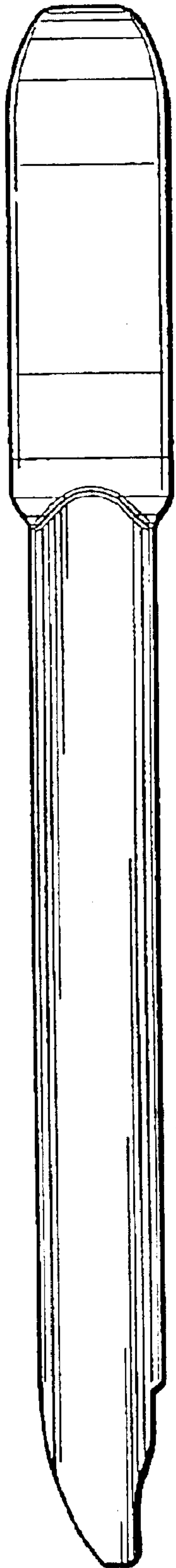
FIG. 1



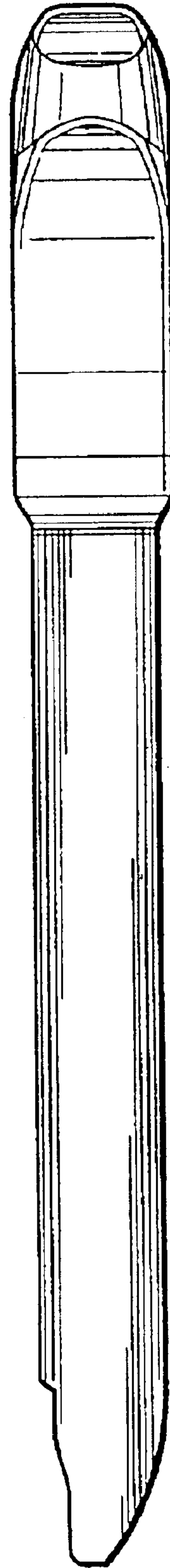
*FIG. 2*



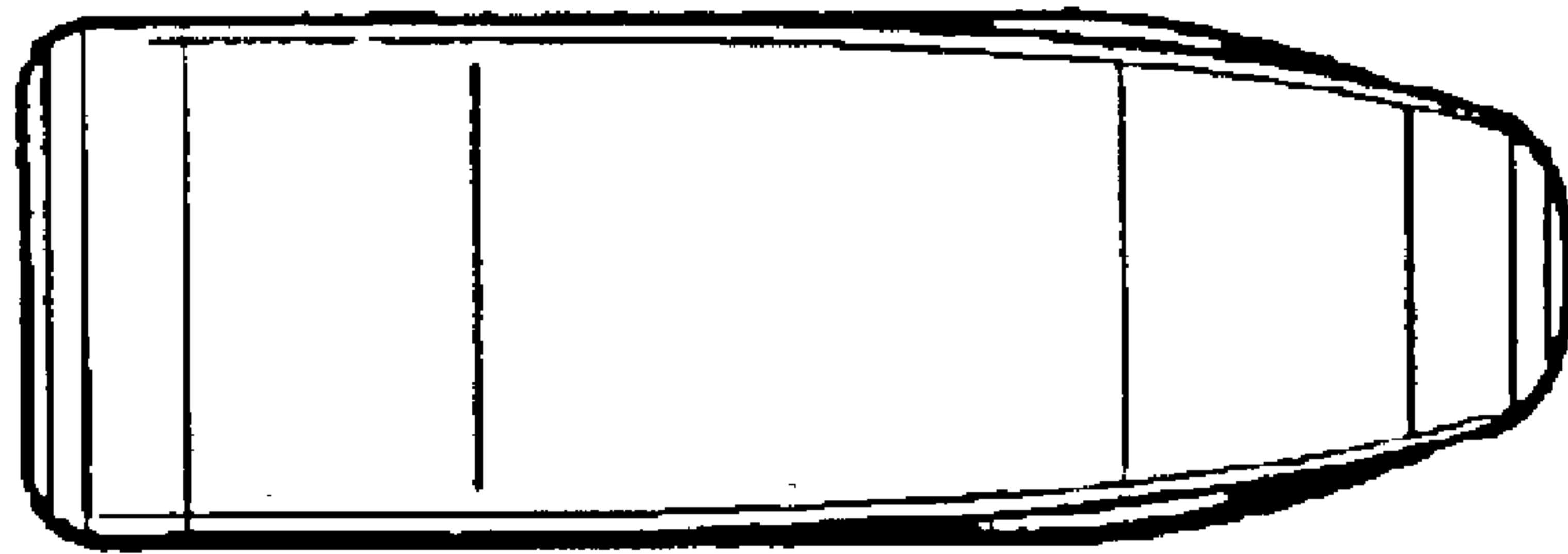
*FIG. 3*



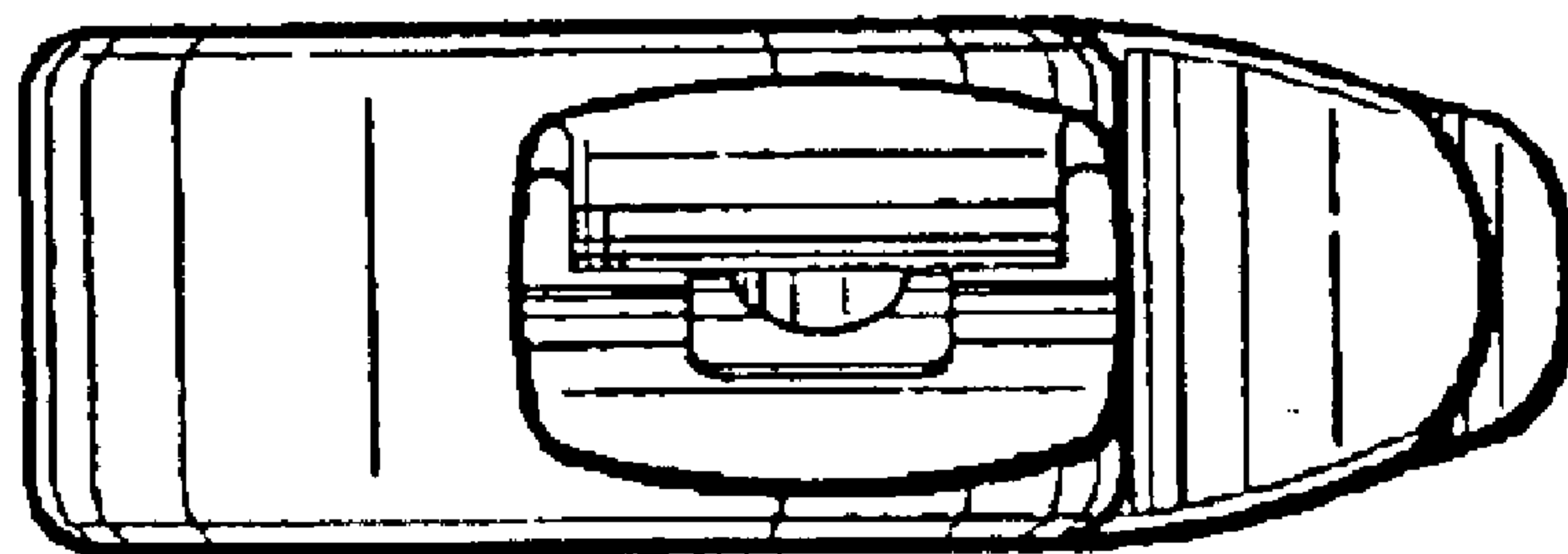
*FIG. 4*



*FIG. 5*



*FIG. 6*



*FIG. 7*