

US00D496568S1

(12) **United States Design Patent**  
**Izumisawa**

(10) **Patent No.:** **US D496,568 S**  
(45) **Date of Patent:** **\*\* Sep. 28, 2004**

(54) **RATCHET WRENCH**  
(75) Inventor: **Nobuyuki Izumisawa, Tokyo (JP)**  
(73) Assignee: **Kabushiki Kaisha Shinano Seisakusho, Tokyo (JP)**  
(\*\*) Term: **14 Years**

D449,212 S \* 10/2001 Price et al. .... D8/25  
D455,327 S \* 4/2002 Beer et al. .... D8/61  
D456,232 S \* 4/2002 Chen ..... D8/25  
6,640,669 B2 \* 11/2003 Izumisawa ..... 81/57.39

\* cited by examiner

*Primary Examiner*—Raphael Barkai  
(74) *Attorney, Agent, or Firm*—Sughrue Mion, PLLC

(21) Appl. No.: **29/194,834**  
(22) Filed: **Dec. 3, 2003**

(57) **CLAIM**

The ornamental design for a ratchet wrench, as shown.

(51) **LOC (7) Cl.** ..... **08-05**  
(52) **U.S. Cl.** ..... **D8/25; D8/61**  
(58) **Field of Search** ..... D8/21–29, 59–62,  
D8/64, 67–68, 82, DIG. 7; 81/54, 57, 57.11,  
57.13–57.14, 57.42, 57.29, 57.39, 58, 60–63.2,  
177.1, 177.4, 177.6, 177.8, 177.85, 177.9,  
469, 474; 173/169–170, 182, 217

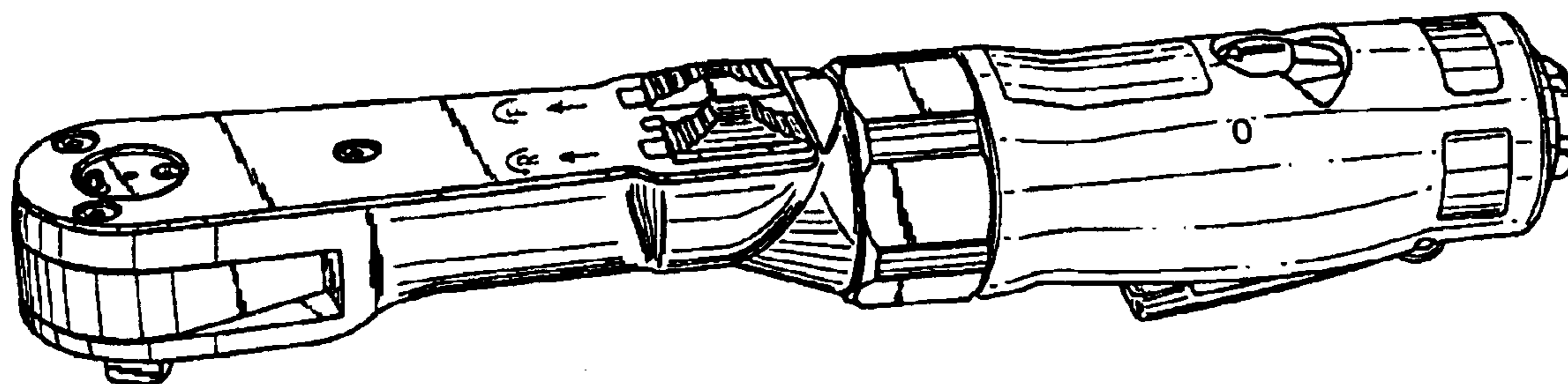
**DESCRIPTION**

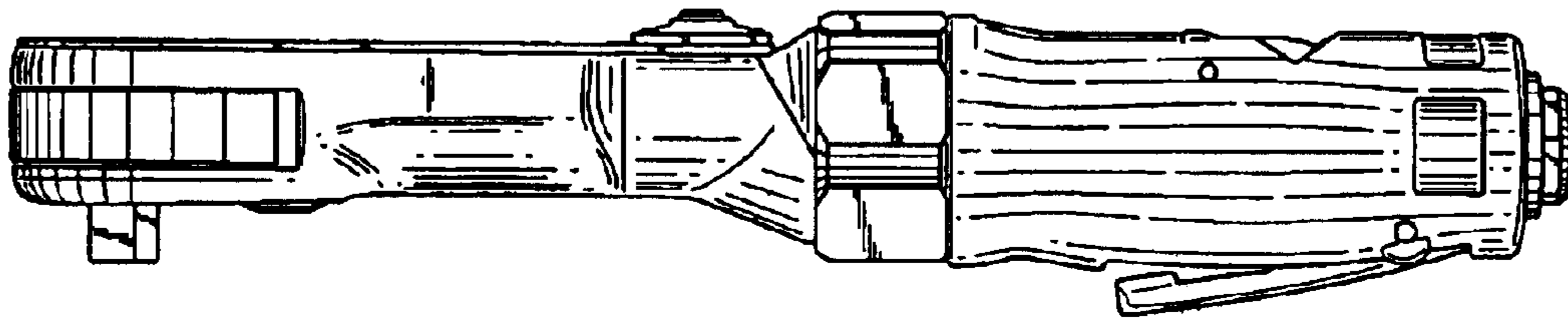
FIG. 1 is a front elevational view of the ratchet wrench showing my new design;  
FIG. 2 is a rear elevational view thereof;  
FIG. 3 is a top plan elevational view thereof;  
FIG. 4 is a bottom plan elevational view thereof;  
FIG. 5 is a right side elevational view thereof;  
FIG. 6 is a left side elevational view thereof; and,  
FIG. 7 is a perspective view of the top, front and left side thereof.

(56) **References Cited**  
U.S. PATENT DOCUMENTS

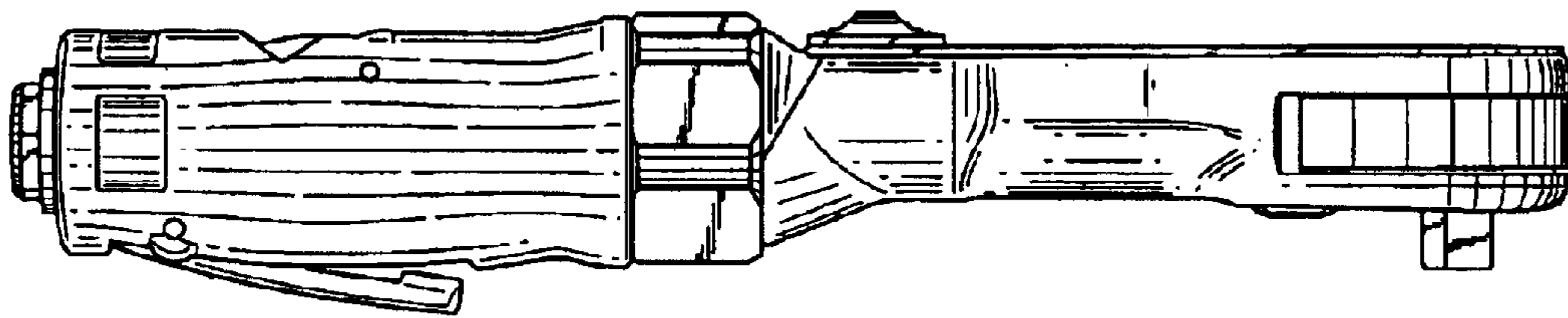
D265,962 S \* 8/1982 Izumisawa ..... D8/25  
4,722,252 A \* 2/1988 Fulcher et al. .... 81/63

**1 Claim, 2 Drawing Sheets**

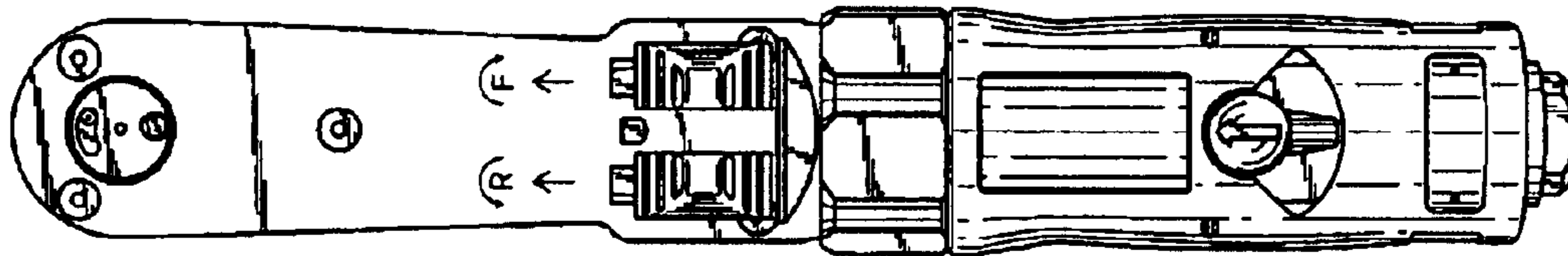




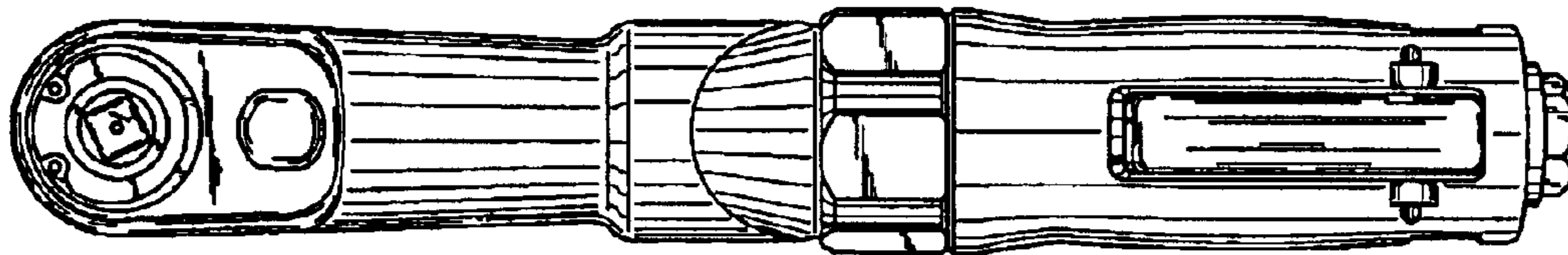
*Fig. 1*



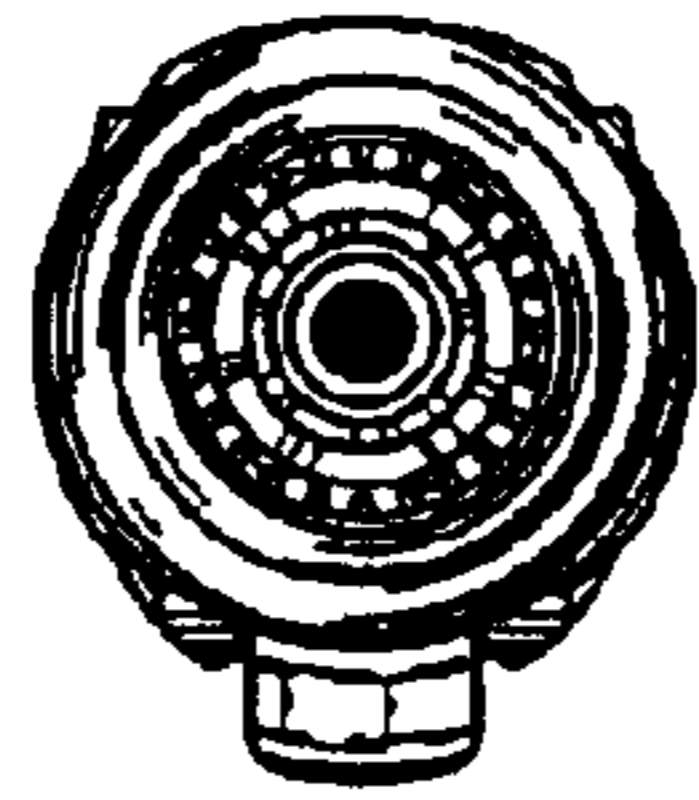
*Fig. 2*



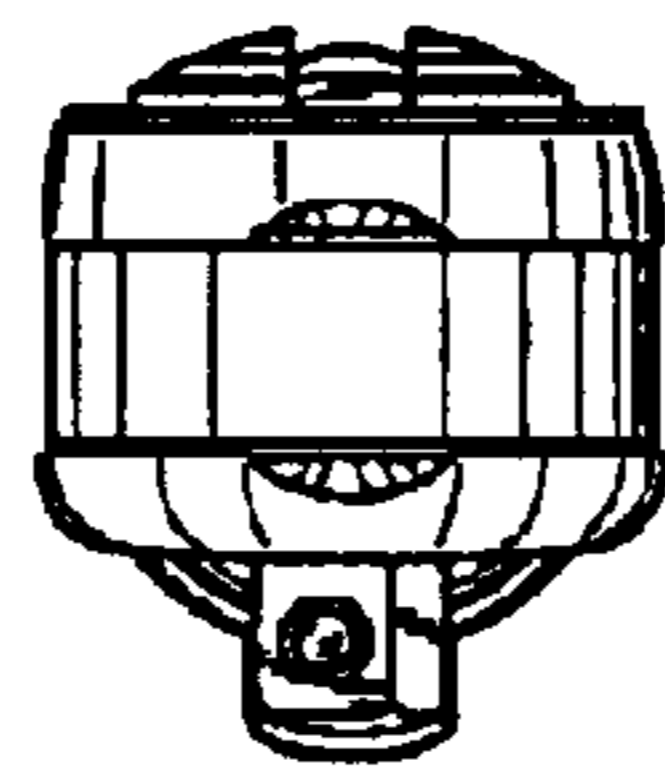
*Fig. 3*



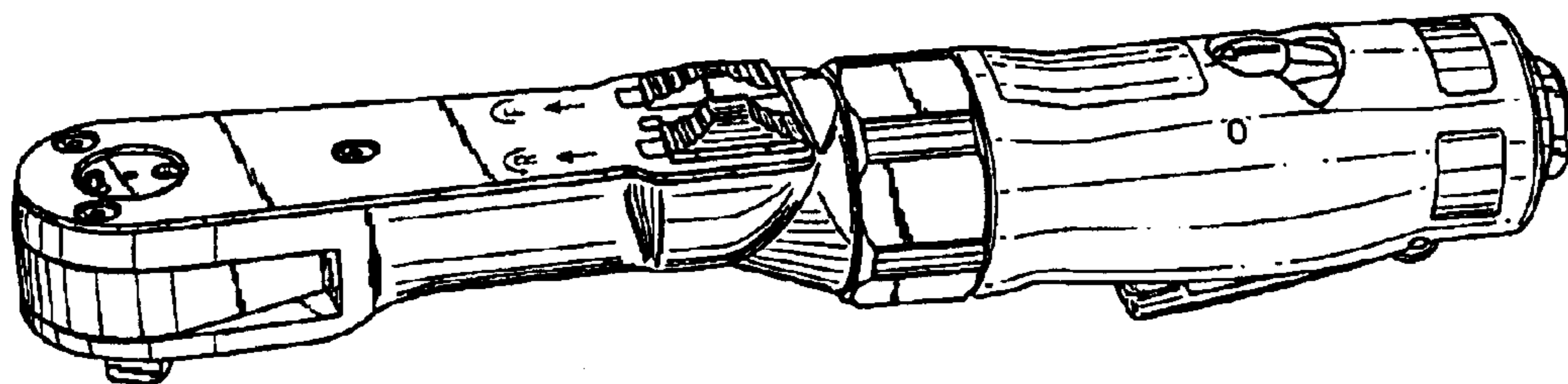
*Fig. 4*



*Fig. 5*



*Fig. 6*



*Fig. 7*