

US00D496561S1

(12) **United States Design Patent**  
**Lerner**

(10) **Patent No.: US D496,561 S**

(45) **Date of Patent: \*\* Sep. 28, 2004**

(54) **FOOD STORAGE CONTAINER WITH  
REMOVABLE THERMAL PRESERVATION  
INSERT**

D241,399 S \* 9/1976 Christian ..... D7/540  
D291,041 S \* 7/1987 Grange ..... D7/542  
4,809,868 A \* 3/1989 Pomroy ..... 220/793  
D419,829 S \* 2/2000 Wilson et al. .... D7/629  
D462,880 S \* 9/2002 Maxwell et al. .... D7/629

(76) **Inventor: William S. Lerner**, 215 E. 68th St.,  
Apt. 23A, New York, NY (US)  
10021-5729

\* cited by examiner

(\*\*) **Term: 14 Years**

*Primary Examiner*—Terry A. Wallace

(74) *Attorney, Agent, or Firm*—Steven Horowitz

(21) **Appl. No.: 29/190,958**

(57) **CLAIM**

(22) **Filed: Sep. 29, 2003**

The ornamental design for a food storage container with removable thermal preservation insert, as shown and described.

(51) **LOC (7) Cl. .... 07-01**

(52) **U.S. Cl. .... D7/629**

(58) **Field of Search** ..... D7/602, 629, 538–542;  
D3/201, 203, 205, 206, 273, 274, 302;  
220/281, 675, 662, 574, 574.1, 780–799

**DESCRIPTION**

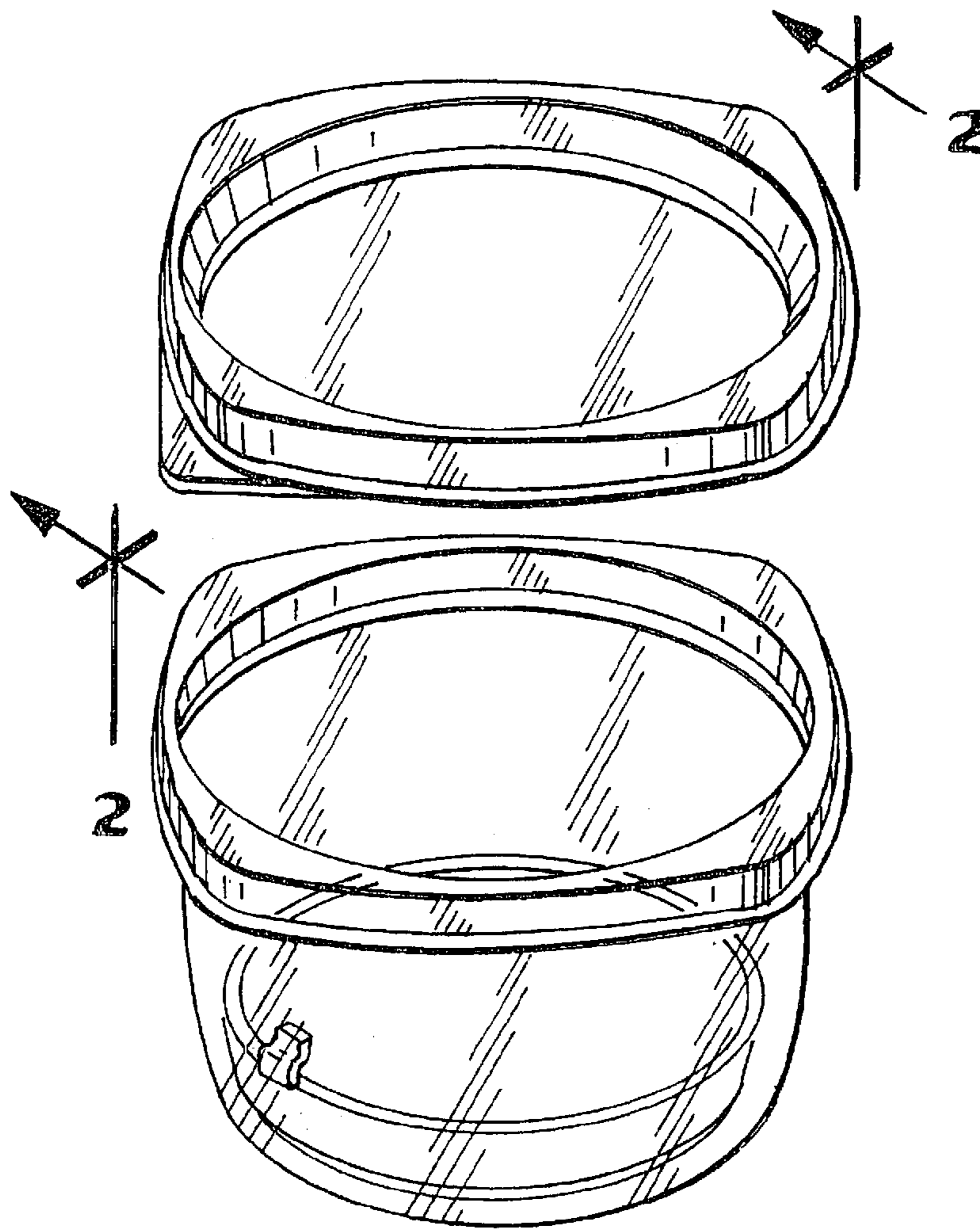
FIG. 1 is an exploded isometric view of the food storage container with removable thermal preservation insert of the present invention; and, FIG. 2 is a vertical cross-section of an assembled view taken approximately along line 2—2 of FIG. 1.

(56) **References Cited**

**U.S. PATENT DOCUMENTS**

3,957,097 A \* 5/1976 Swett ..... 220/780

**1 Claim, 1 Drawing Sheet**



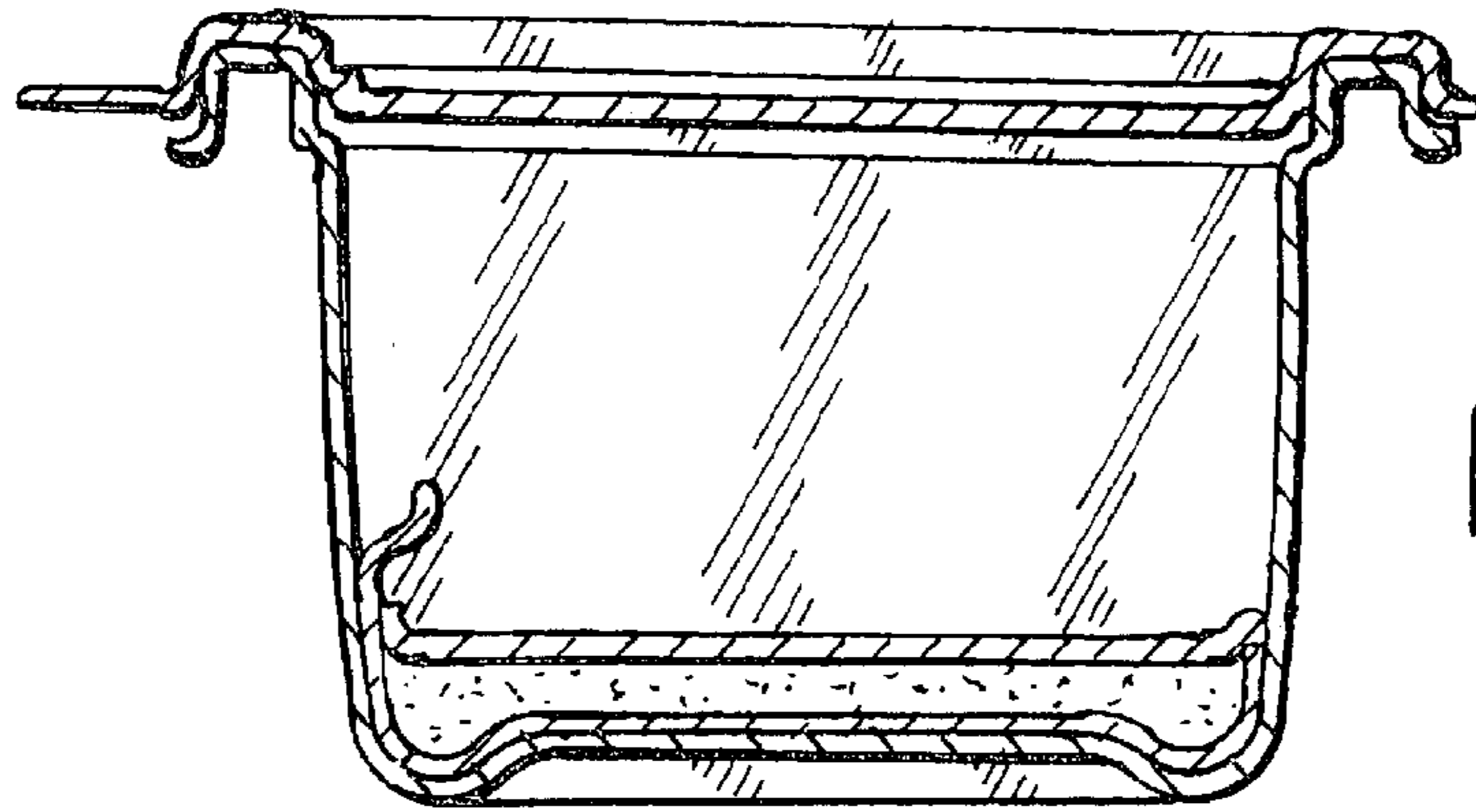


FIG. 2

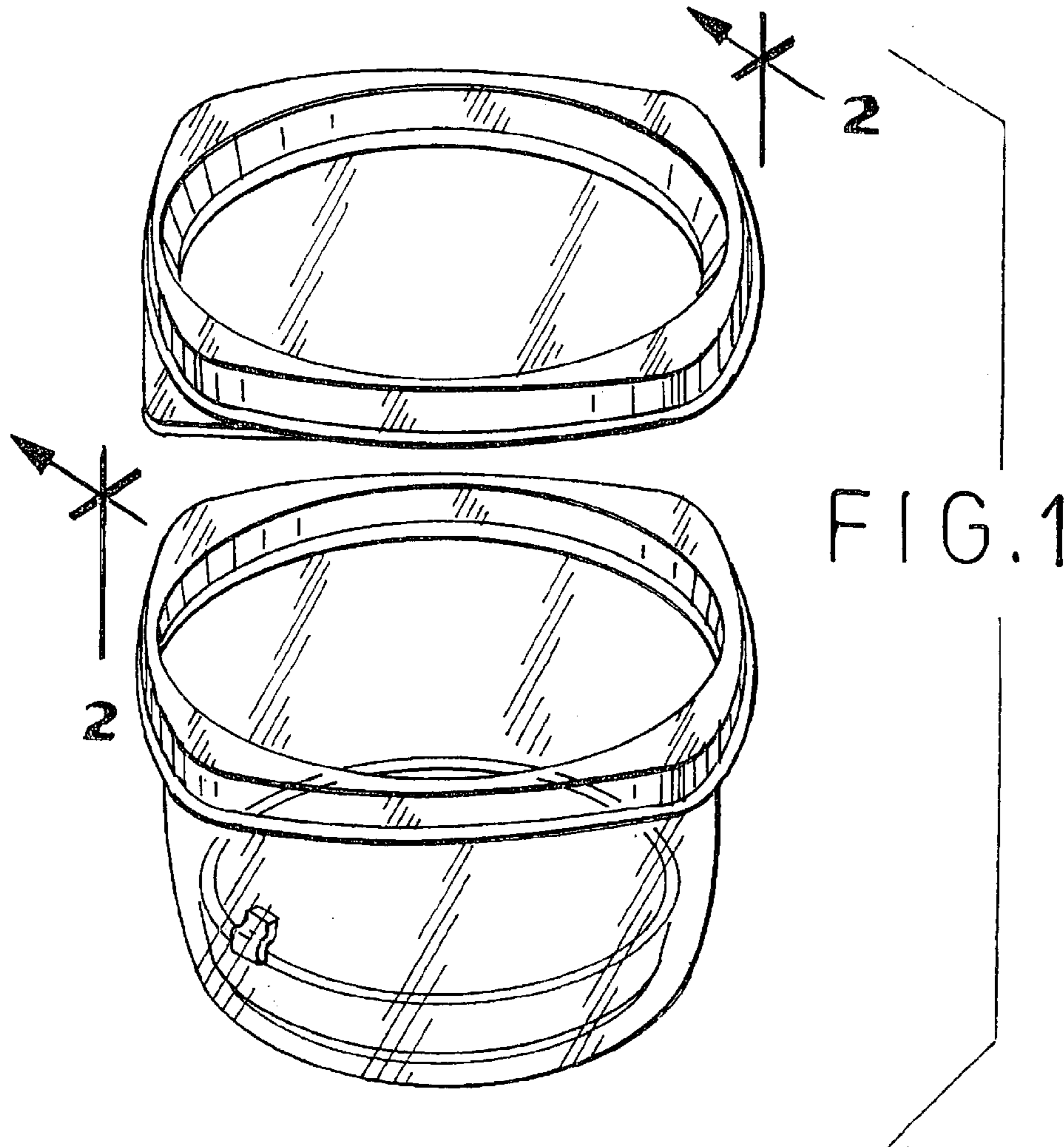


FIG. 1