

US00D496560S1

(12) **United States Design Patent**  
**Lerner**

(10) **Patent No.:** **US D496,560 S**

(45) **Date of Patent:** **\*\* Sep. 28, 2004**

(54) **RECTANGULAR FOOD STORAGE  
CONTAINER WITH REMOVABLE  
THERMAL PRESERVATION INSERT**

4,412,630 A \* 11/1983 Daenen ..... 220/792  
D279,952 S \* 8/1985 Daenen et al. .... D7/629  
4,819,824 A \* 4/1989 Longbottom et al. .... 220/783  
5,992,679 A \* 11/1999 Porchia et al. .... 220/782  
D449,495 S \* 10/2001 Tucker et al. .... D7/629

(76) **Inventor:** **William S. Lerner**, 215 E. 68th St.,  
Apt. 23A, New York, NY (US)  
10021-5729

\* cited by examiner

(\*\*) **Term:** **14 Years**

*Primary Examiner*—Terry A. Wallace

(74) *Attorney, Agent, or Firm*—Steven Horowitz

(21) **Appl. No.:** **29/190,957**

(57) **CLAIM**

(22) **Filed:** **Sep. 29, 2003**

The ornamental design for a rectangular food storage container with removable thermal preservation insert, as shown and described.

(51) **LOC (7) Cl.** ..... **07-01**

(52) **U.S. Cl.** ..... **D7/629**

(58) **Field of Search** ..... D7/602, 629, 538–542;  
D3/201, 203, 205, 206, 273, 274, 302;  
220/281, 675, 662, 574, 574.1, 780–799

**DESCRIPTION**

FIG. 1 is an exploded isometric view of the food storage container with removable thermal preservation insert of the present invention; and,

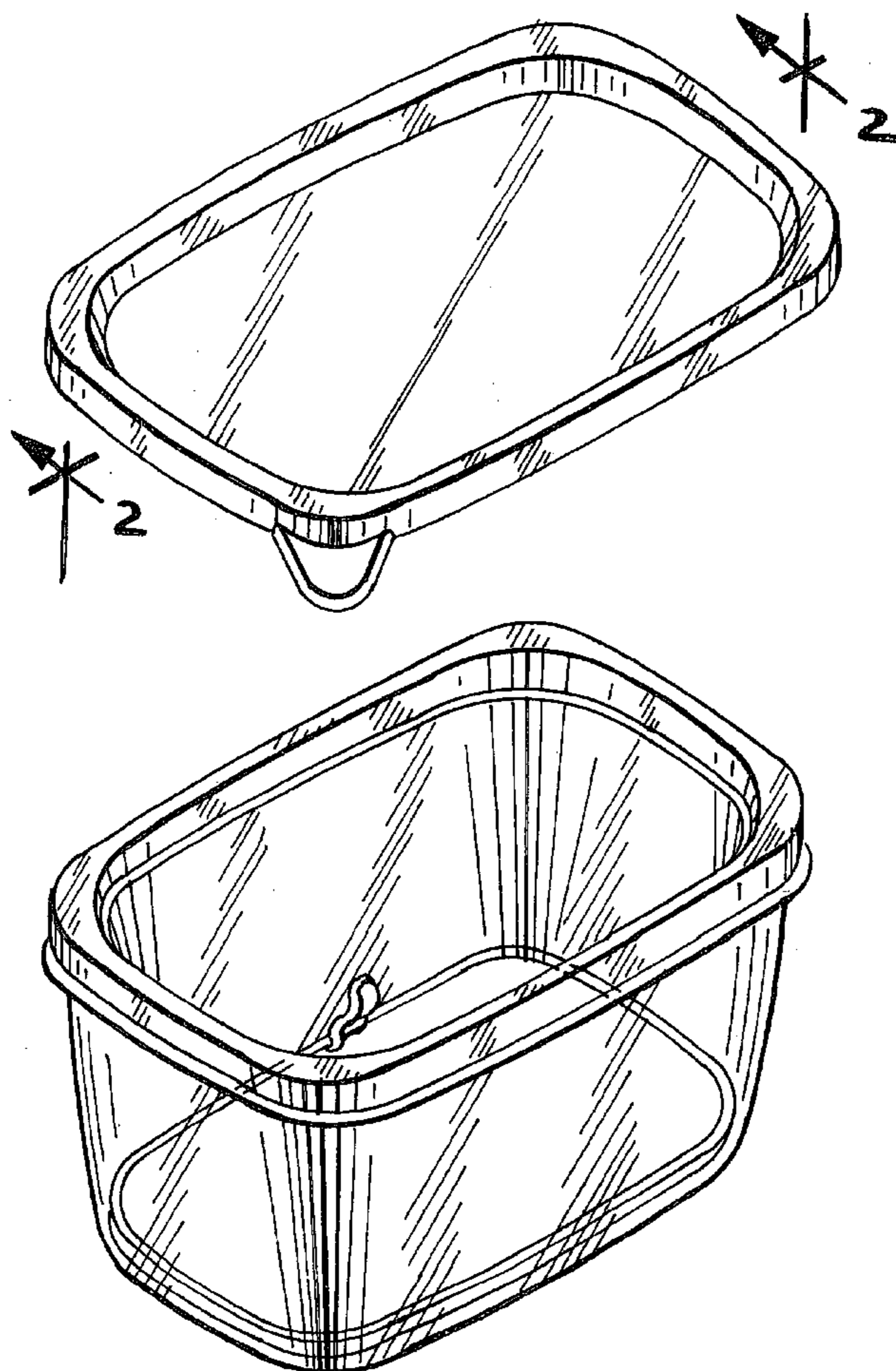
FIG. 2 is a vertical cross-section of an assembled view taken approximately along line 2—2 of FIG. 1.

(56) **References Cited**

**U.S. PATENT DOCUMENTS**

3,447,714 A \* 6/1969 Elliot ..... 220/781  
3,504,823 A \* 4/1970 Logomasini ..... 220/781

**1 Claim, 2 Drawing Sheets**



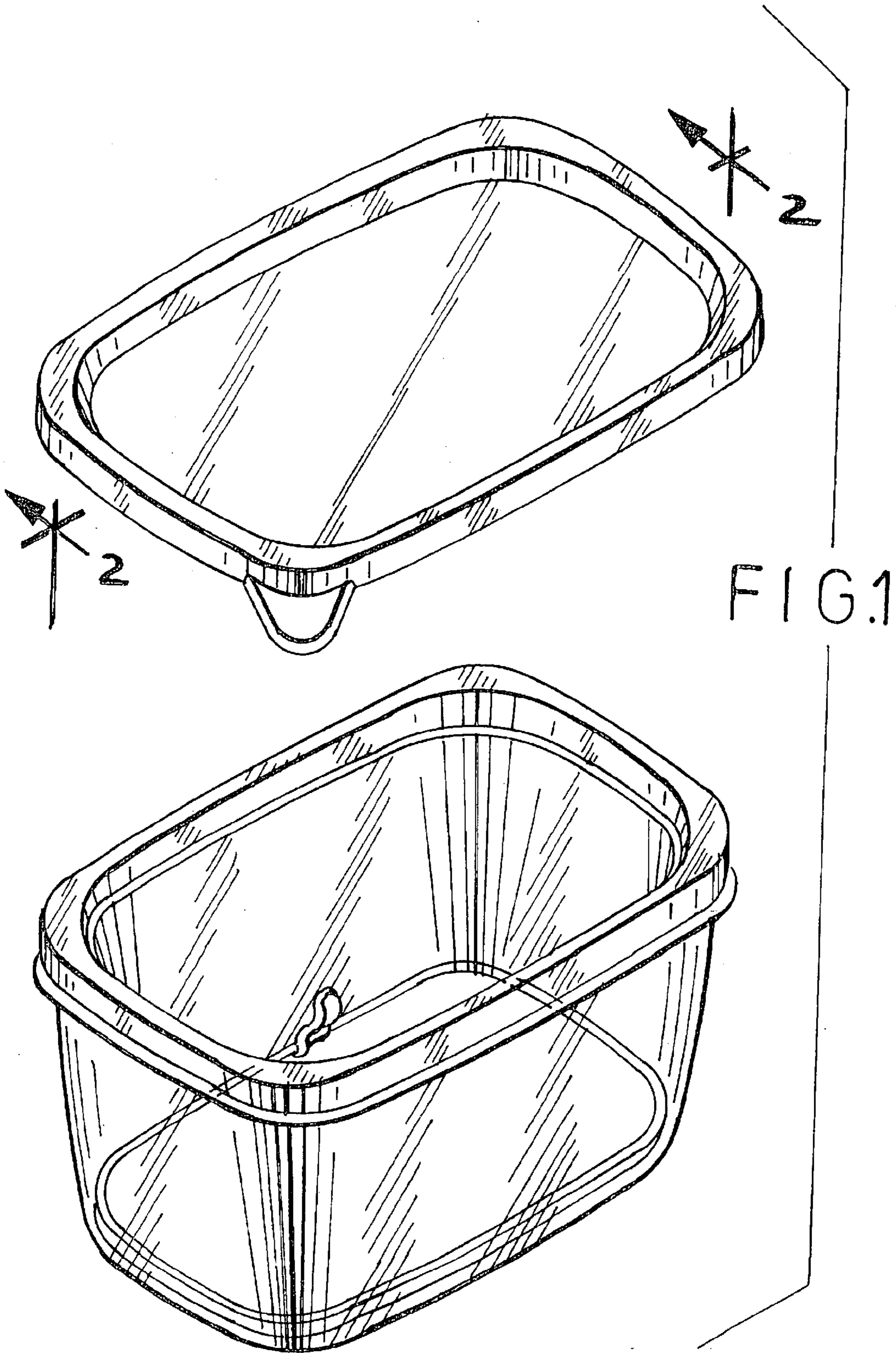


FIG. 1

FIG. 2

