

US00D49655S1

(12) **United States Design Patent**
Rommelfanger et al.

(10) **Patent No.: US D496,555 S**
(45) **Date of Patent: ** Sep. 28, 2004**

(54) **COOKING VESSEL**

(75) Inventors: **Theresia Rommelfanger**,
Idar-Oberstein (DE); **Martin**
Krummenauer, Ellweiler (DE)

(73) Assignee: **Fissler GmbH**, Idar-Oberstein (DE)

(**) Term: **14 Years**

(21) Appl. No.: **29/175,872**

(22) Filed: **Feb. 13, 2003**

(30) **Foreign Application Priority Data**

Aug. 17, 2002 (DE) 4 02 06 894

(51) **LOC (7) Cl. 07-02**

(52) **U.S. Cl. D7/360**

(58) **Field of Search** D7/588, 323, 354-361,
D7/391, 393-395, 396.4, 396.5; 220/573.1-574.2,
752, 912; D5/59, 60, 4, 7; 99/324

(56) **References Cited**

U.S. PATENT DOCUMENTS

3,922,458 A	*	11/1975	Lynch	428/210
D252,311 S	*	7/1979	Prussi	D7/360
4,347,722 A	*	9/1982	Ulam	72/63
D306,679 S	*	3/1990	Schultz	D7/361
D328,996 S	*	9/1992	Gerlach	D7/361
D358,062 S	*	5/1995	Hasuike	D7/360
D374,373 S	*	10/1996	Ito	D7/360
D439,104 S	*	3/2001	Thakur	D7/360

FOREIGN PATENT DOCUMENTS

GB 2031482 * 6/1993

OTHER PUBLICATIONS

Monongah Glass Co. Faimont WV.; Catalogue No. 6 Apr. 1, 1920, p. 211, tumbler No. 0251, 9oz. Etched 202.*

* cited by examiner

Primary Examiner—Caron D. Veynar

(74) *Attorney, Agent, or Firm*—Wenderoth, Lind & Ponack, L.L.P.

(57) **CLAIM**

The ornamental design for the cooking vessel, as shown.

DESCRIPTION

FIG. 1 is a perspective view of a cooking vessel showing our new design;

FIG. 2 is a front elevation view thereof;

FIG. 3 is a rear elevation view thereof;

FIG. 4 is a left side elevation view thereof;

FIG. 5 is a right side elevation view thereof;

FIG. 6 is a top plan view thereof;

FIG. 7 is a bottom plan view thereof;

FIG. 8 is a perspective view of a second embodiment;

FIG. 9 is a front elevation view thereof;

FIG. 10 is a rear elevation view thereof;

FIG. 11 is a left side elevation view thereof;

FIG. 12 is a right side elevation view thereof;

FIG. 13 is a top plan view thereof; and,

FIG. 14 is a bottom plan view thereof.

Note that the color shown in the drawings forms no part of the claimed design.

1 Claim, 14 Drawing Sheets

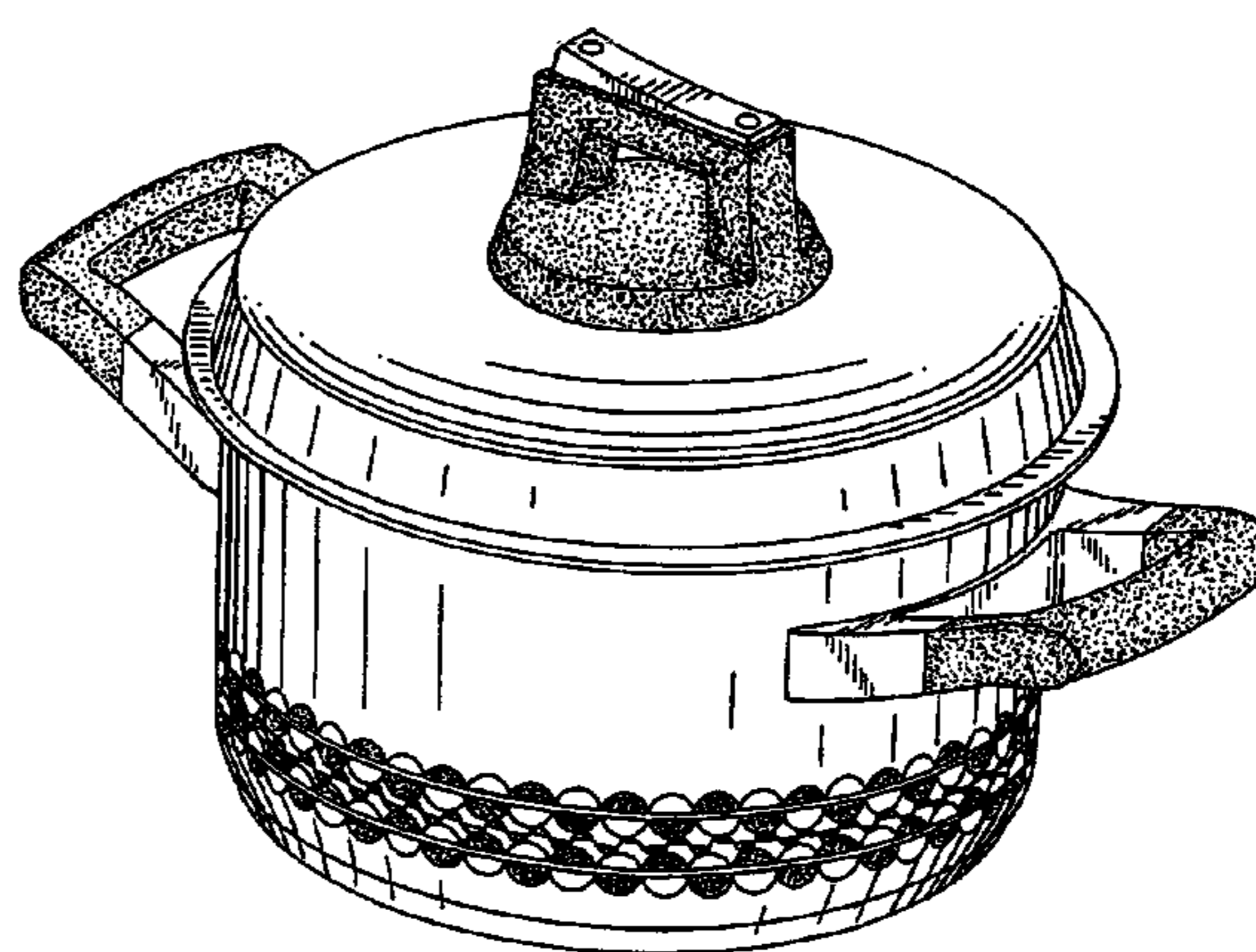
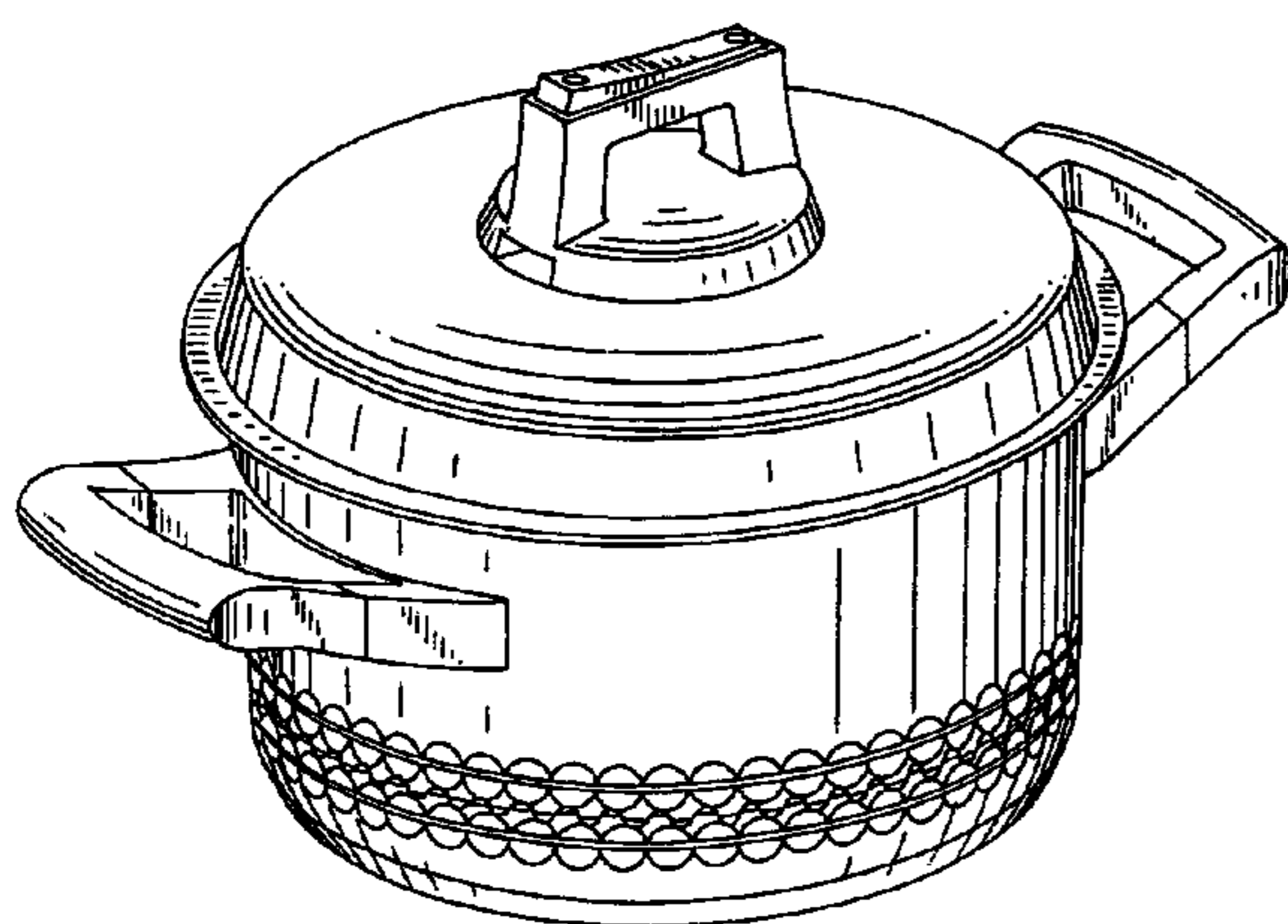


FIG. 1

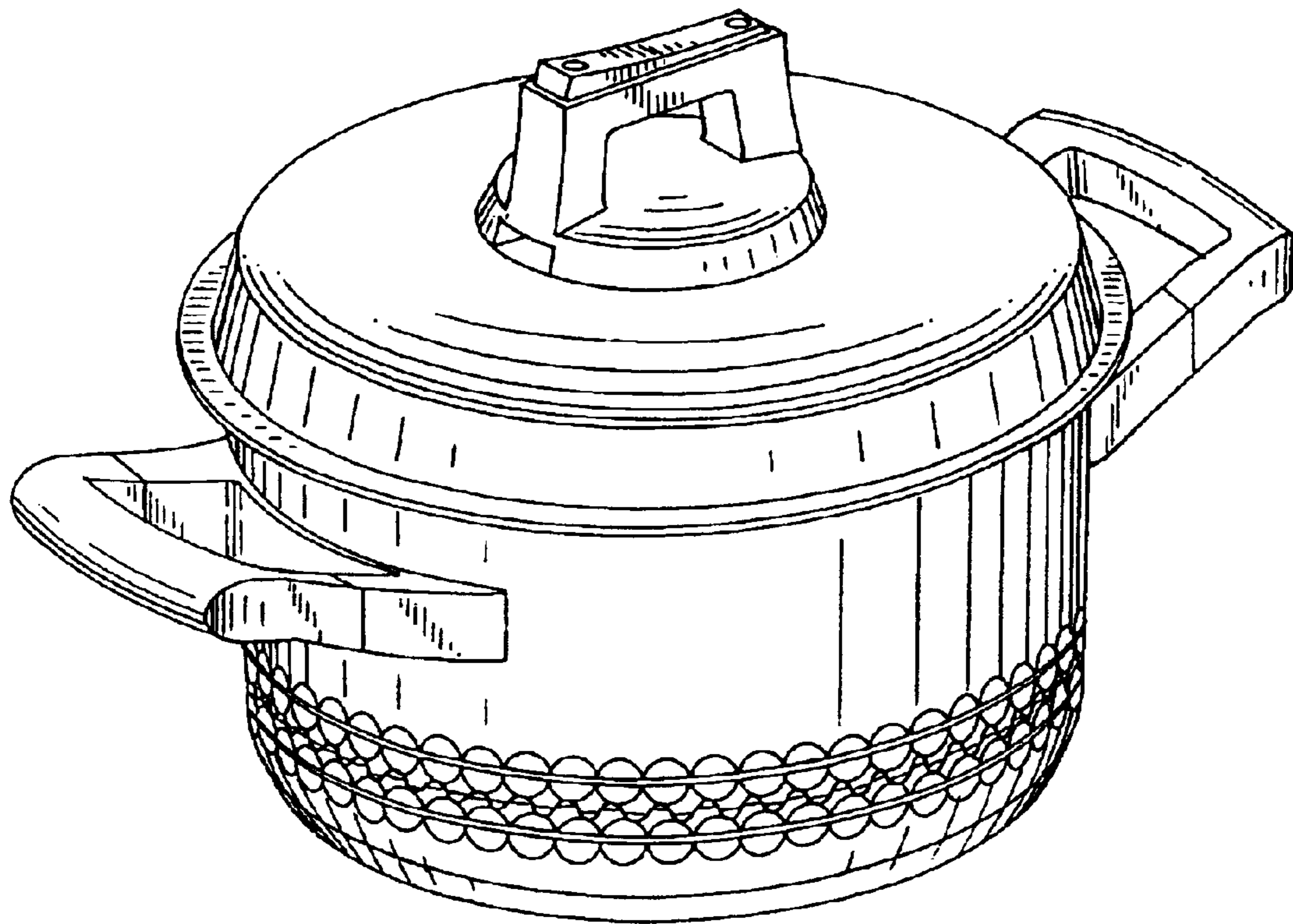


FIG. 2

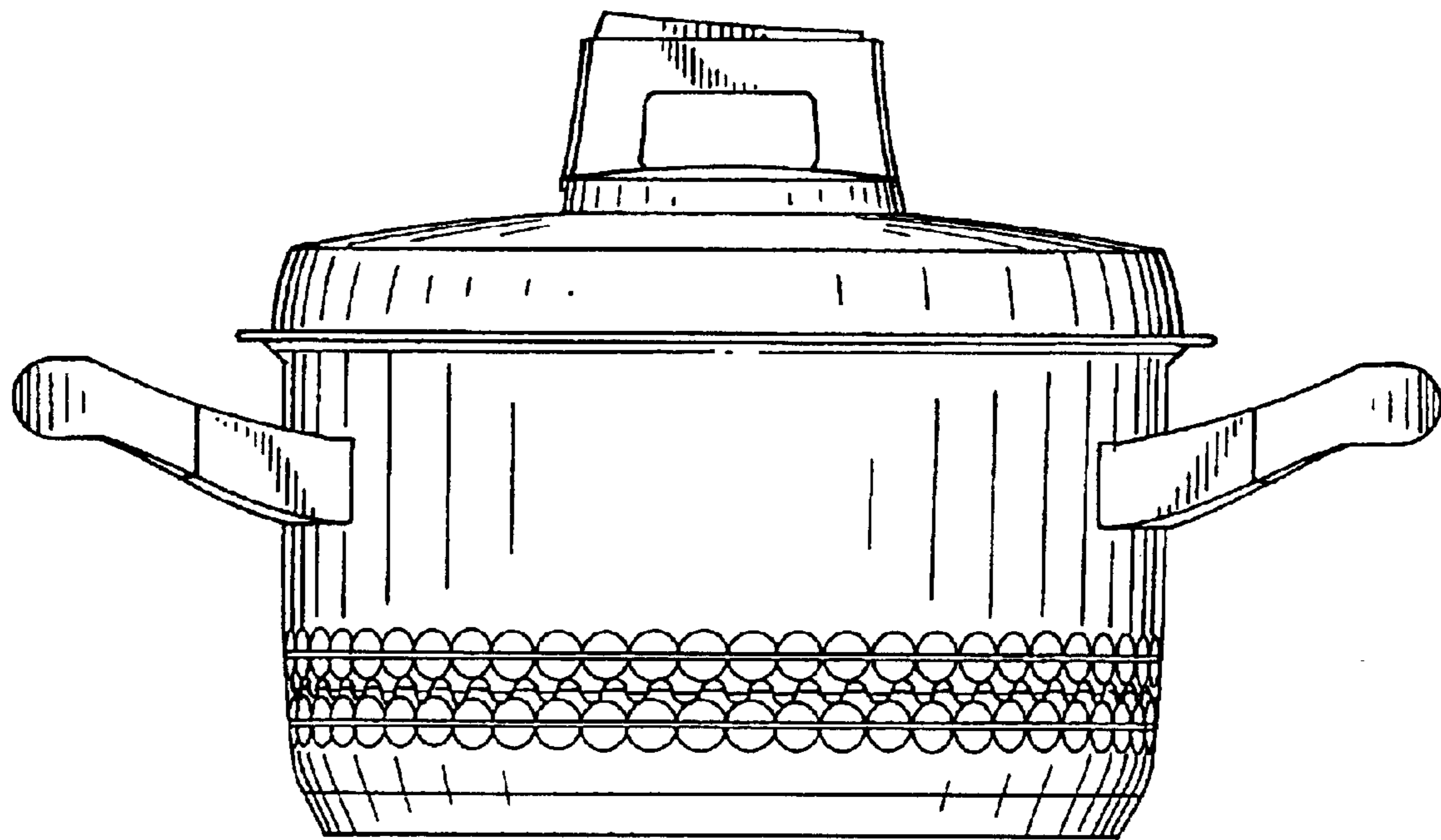


FIG. 3

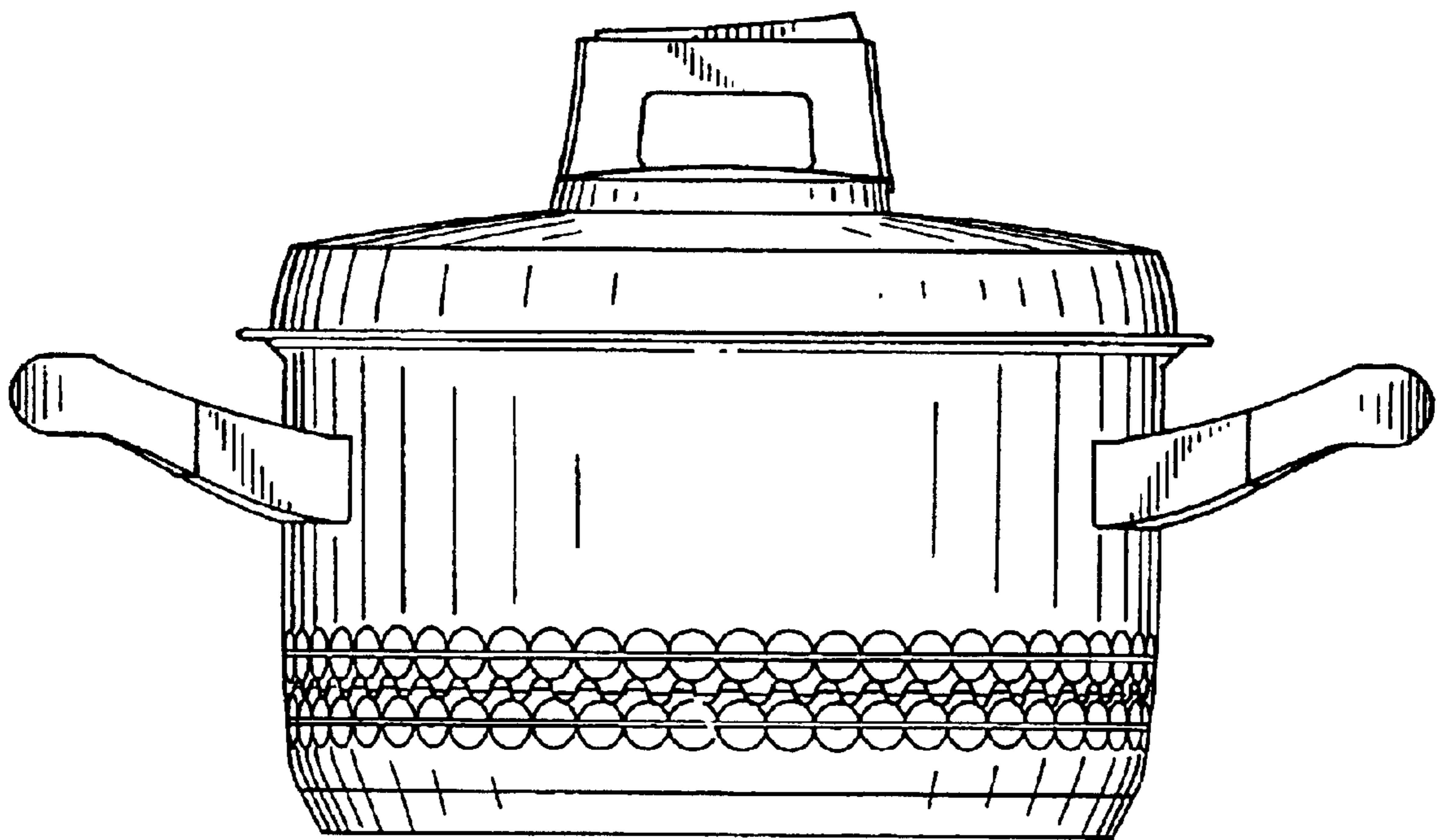


FIG. 4

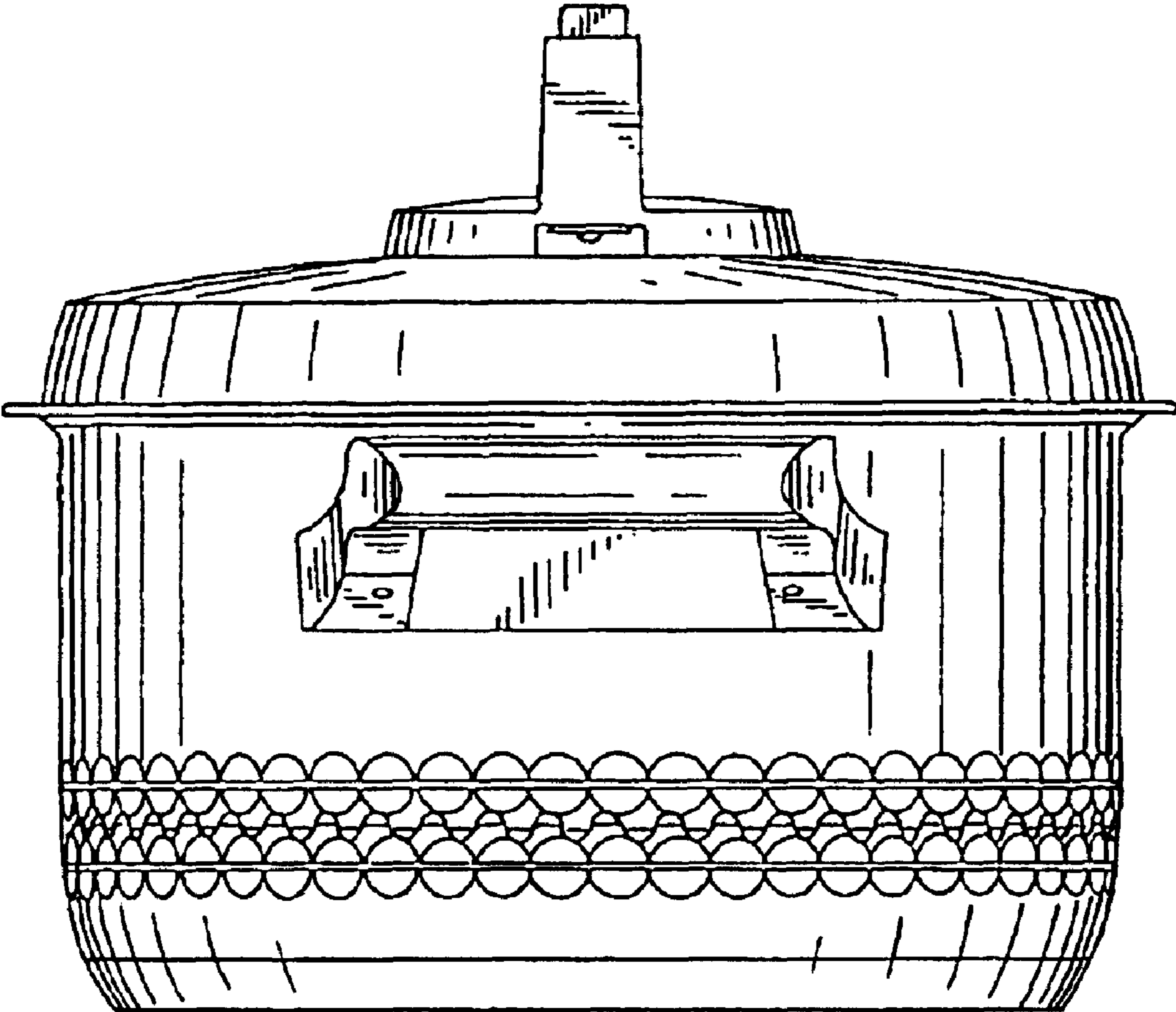


FIG. 5

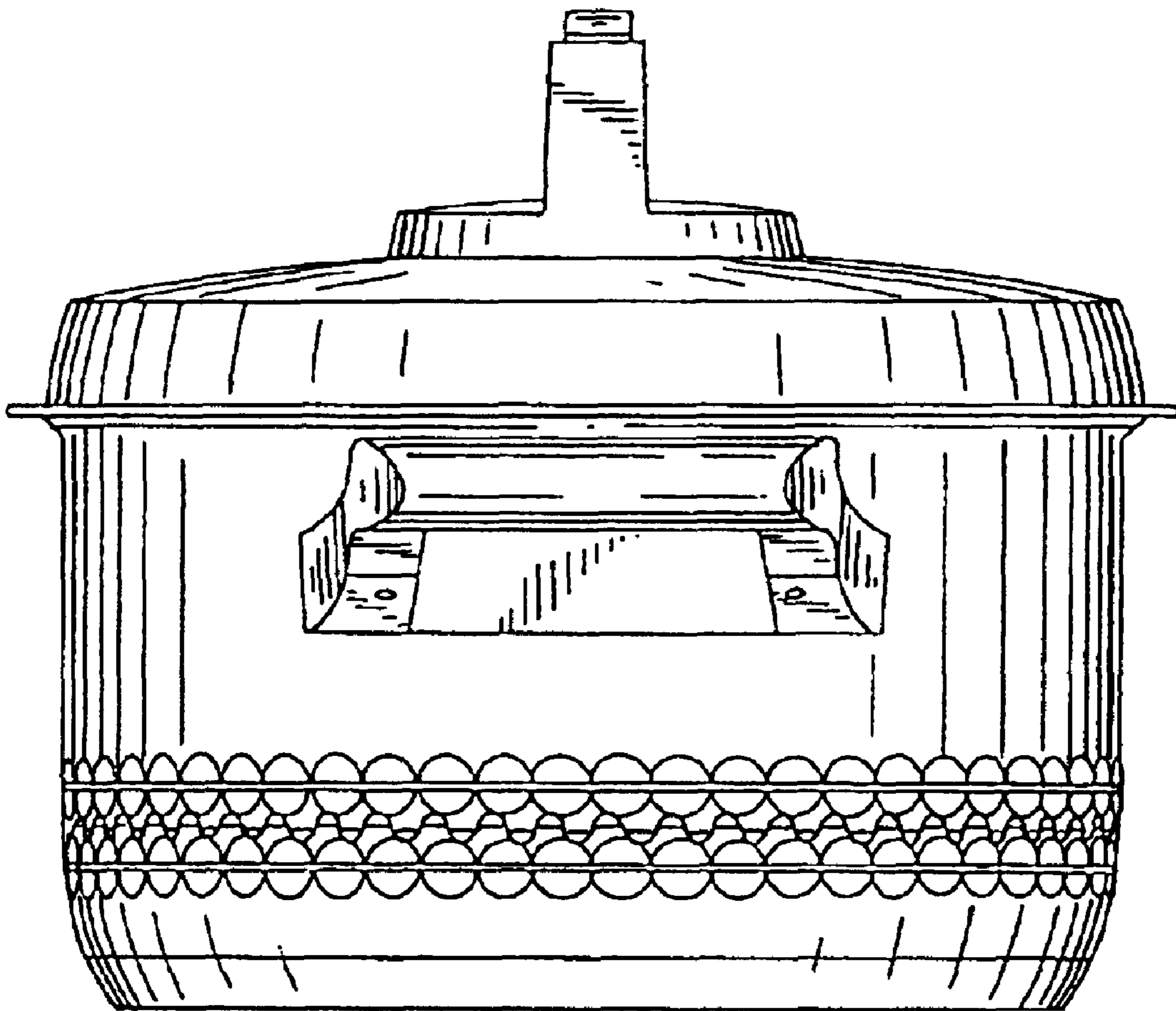


FIG. 6

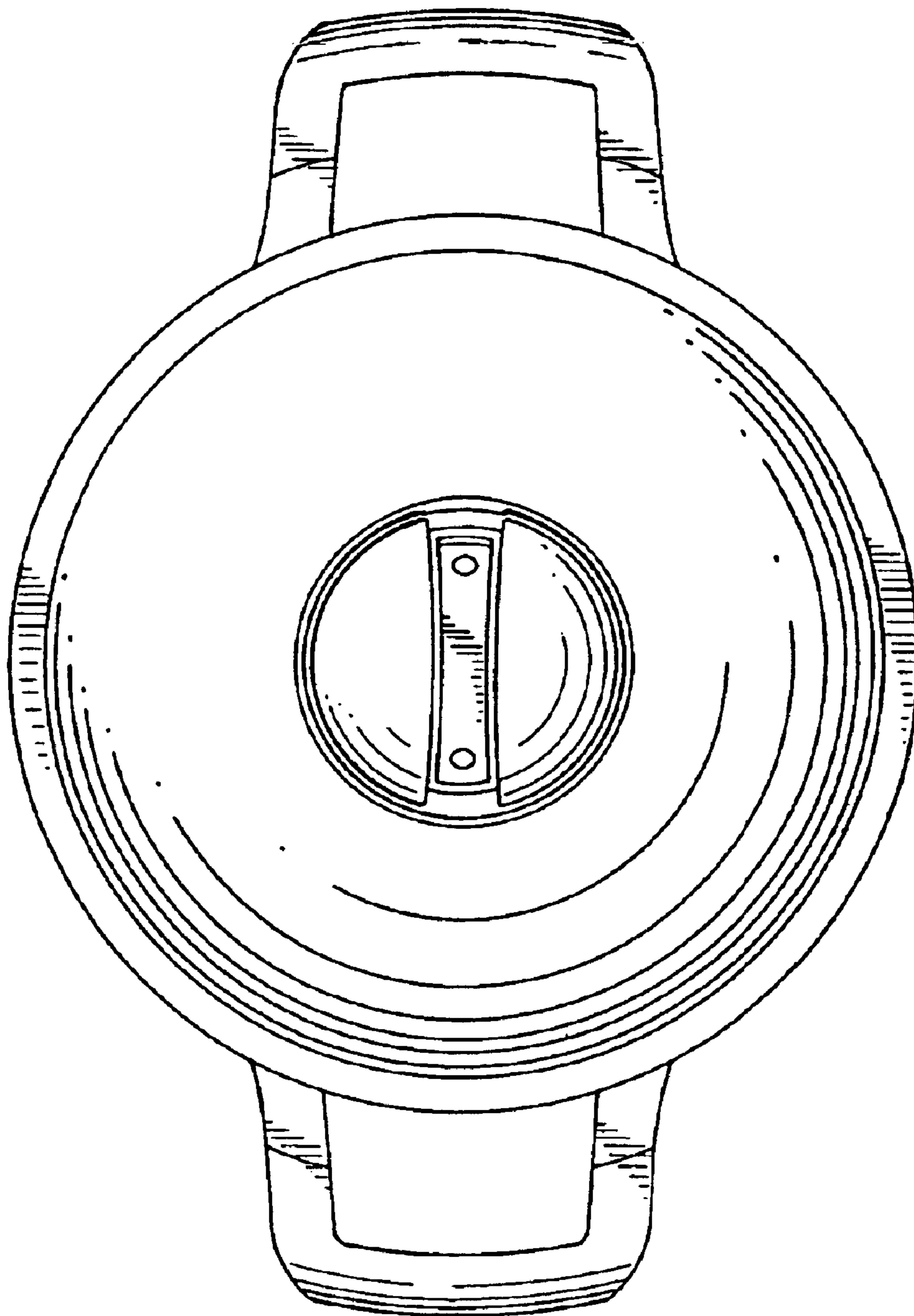


FIG. 7

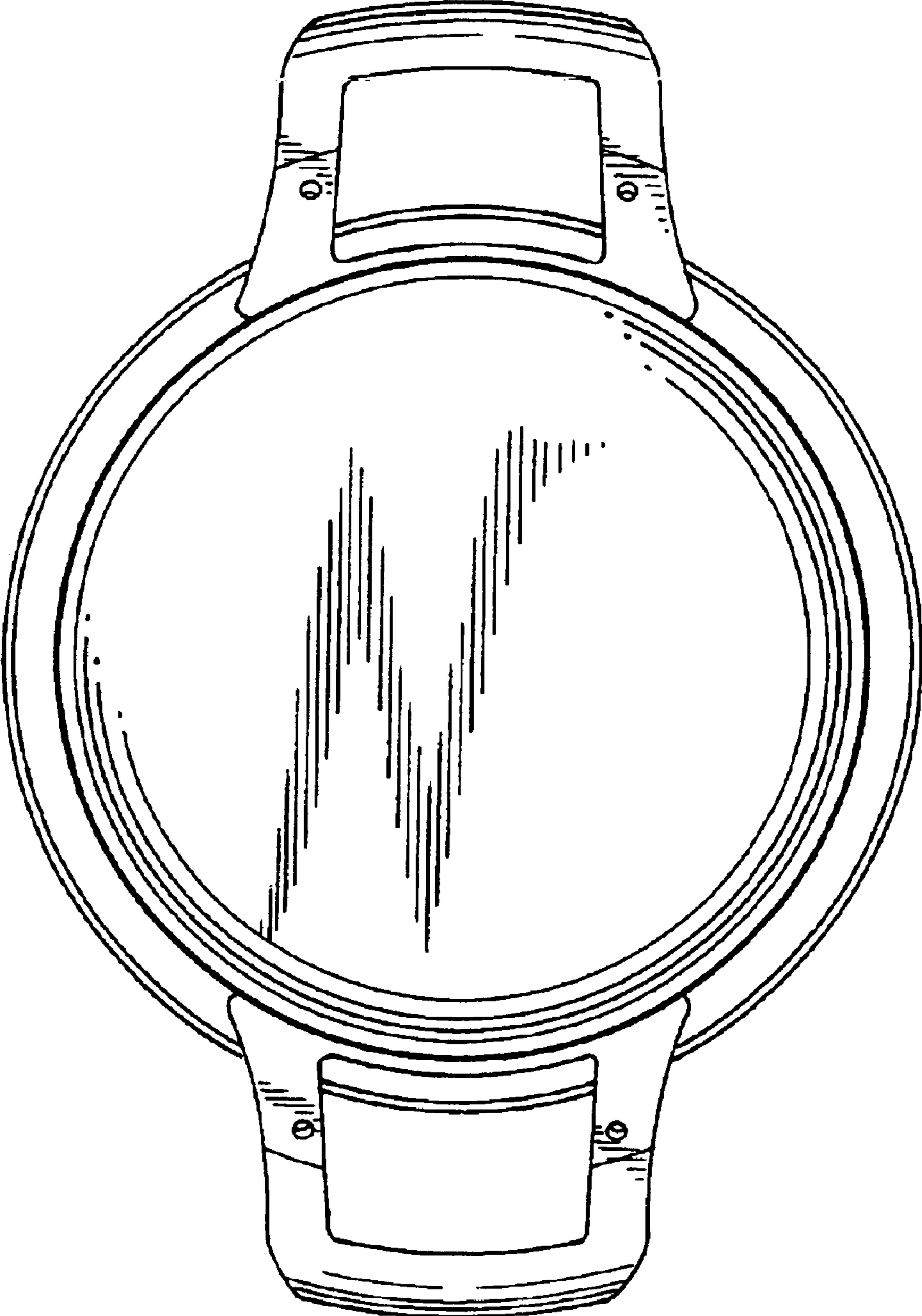


FIG. 8

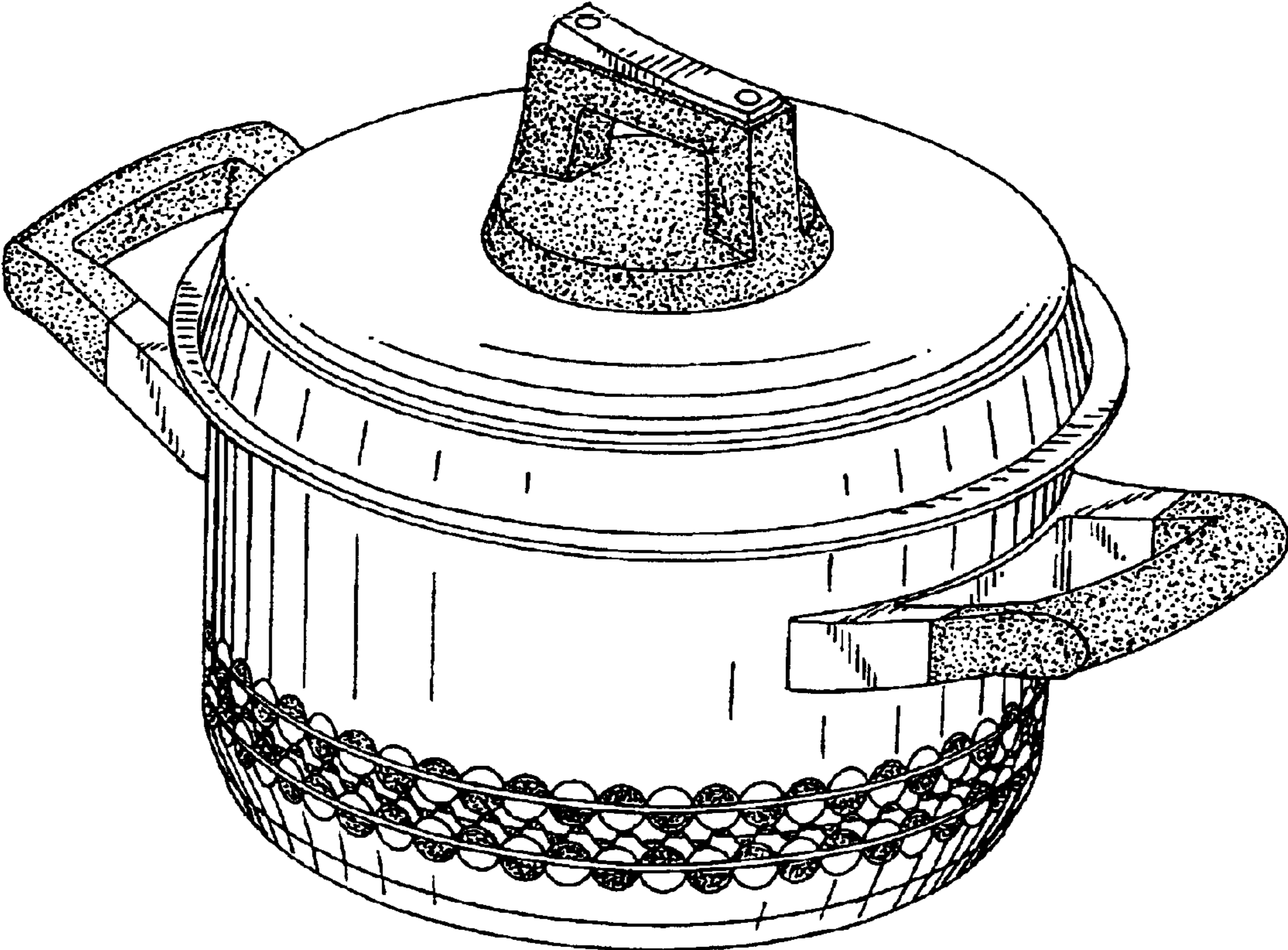


FIG. 9

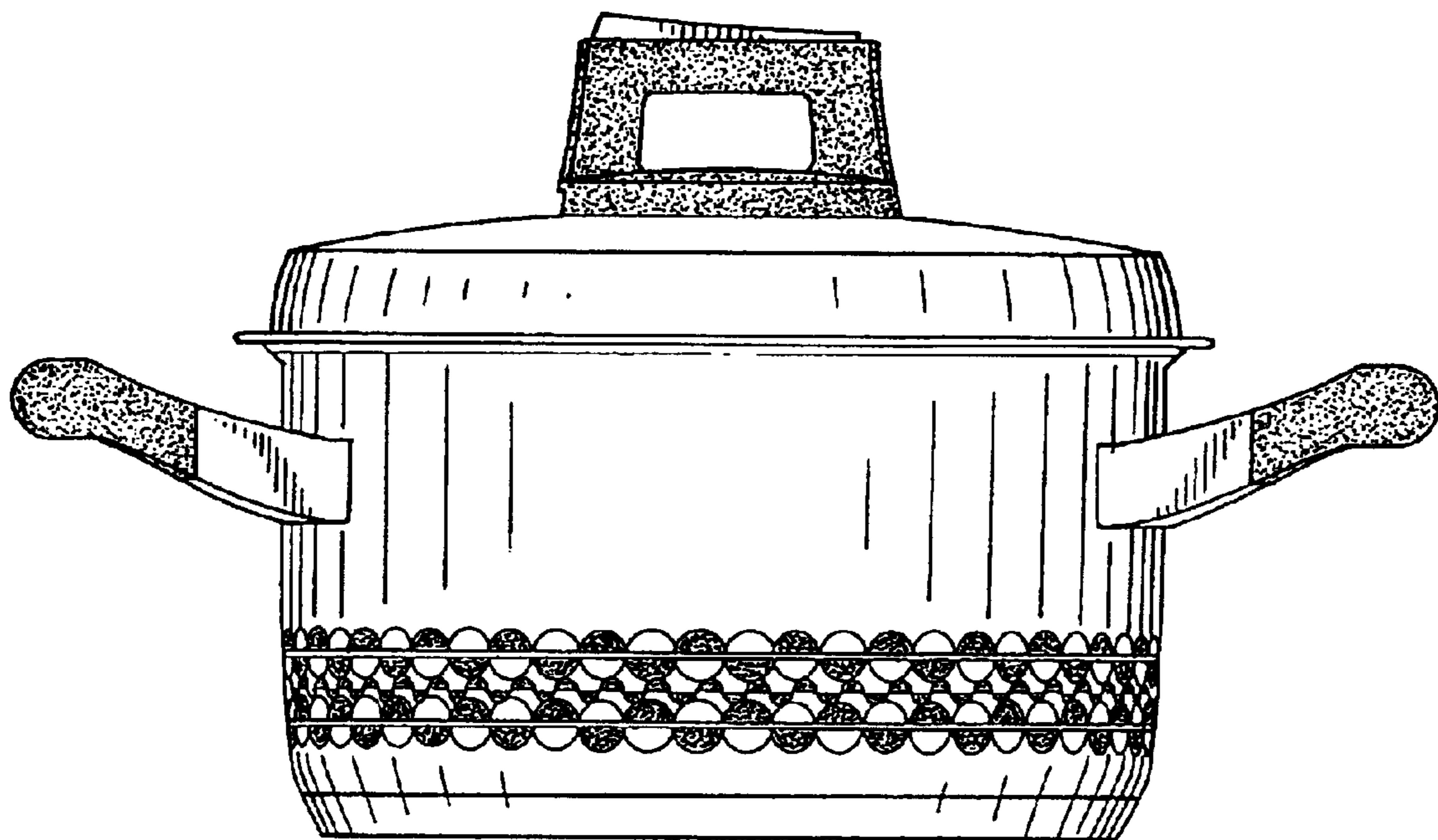


FIG. 10

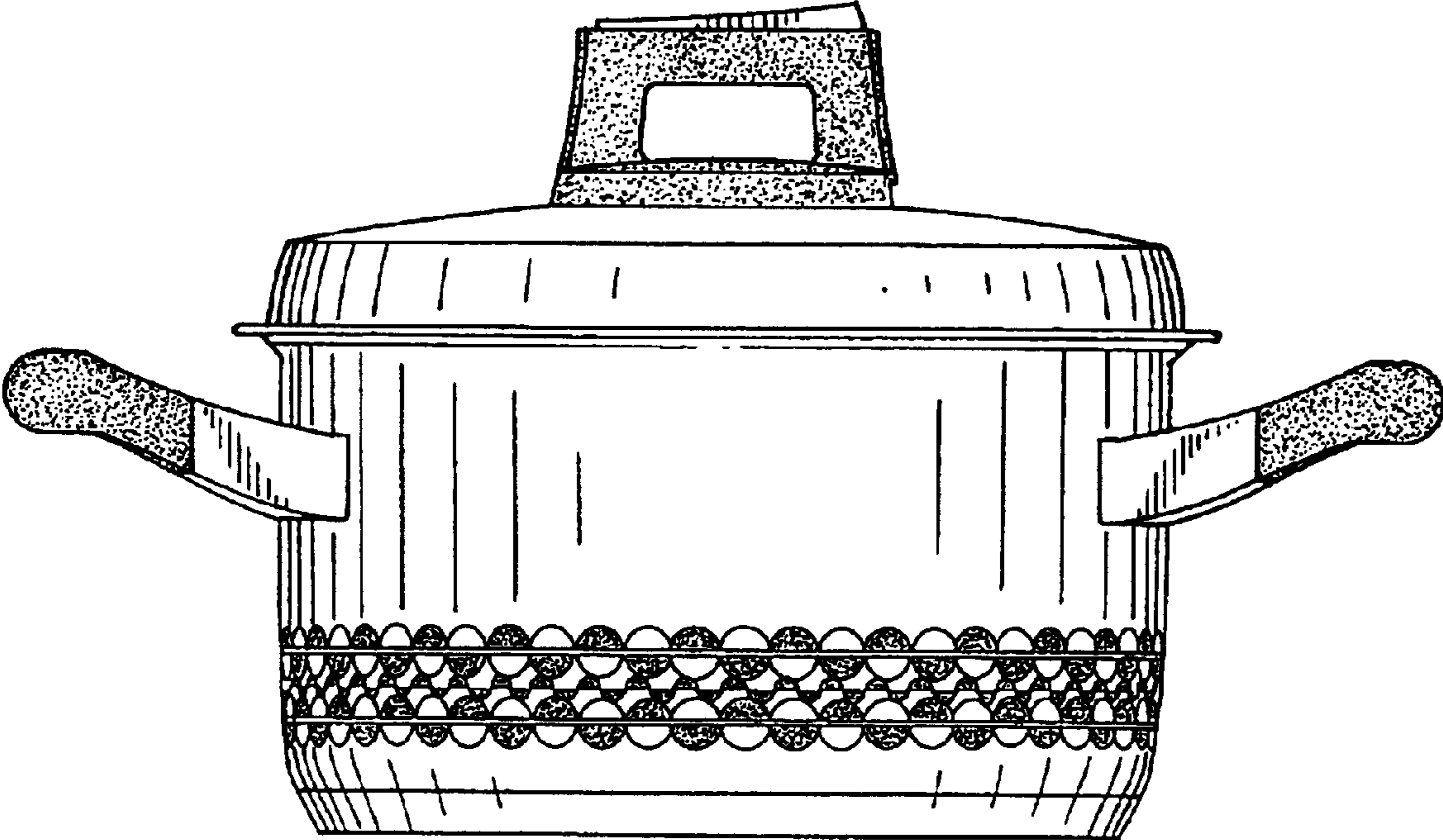


FIG. II

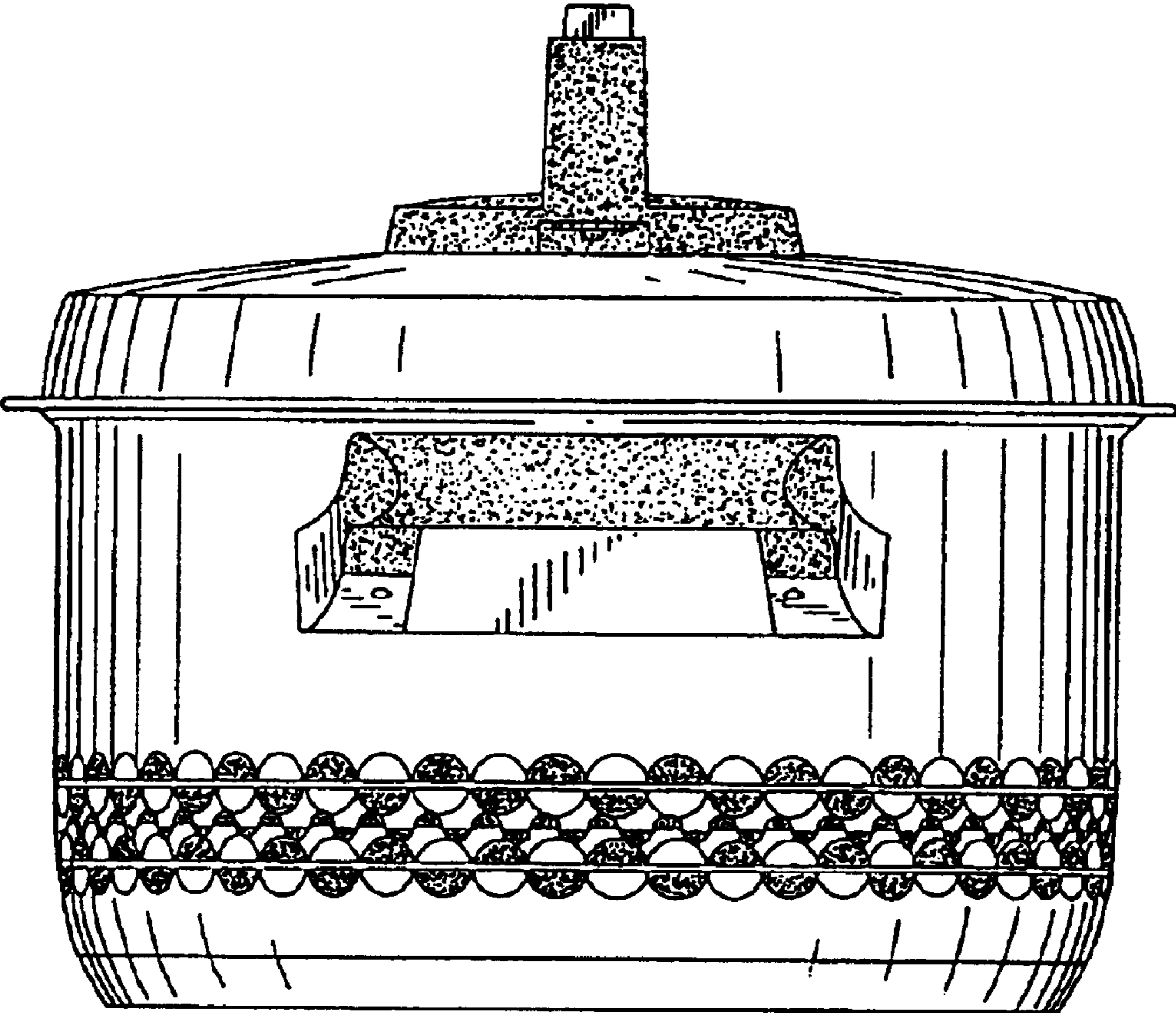


FIG. 12

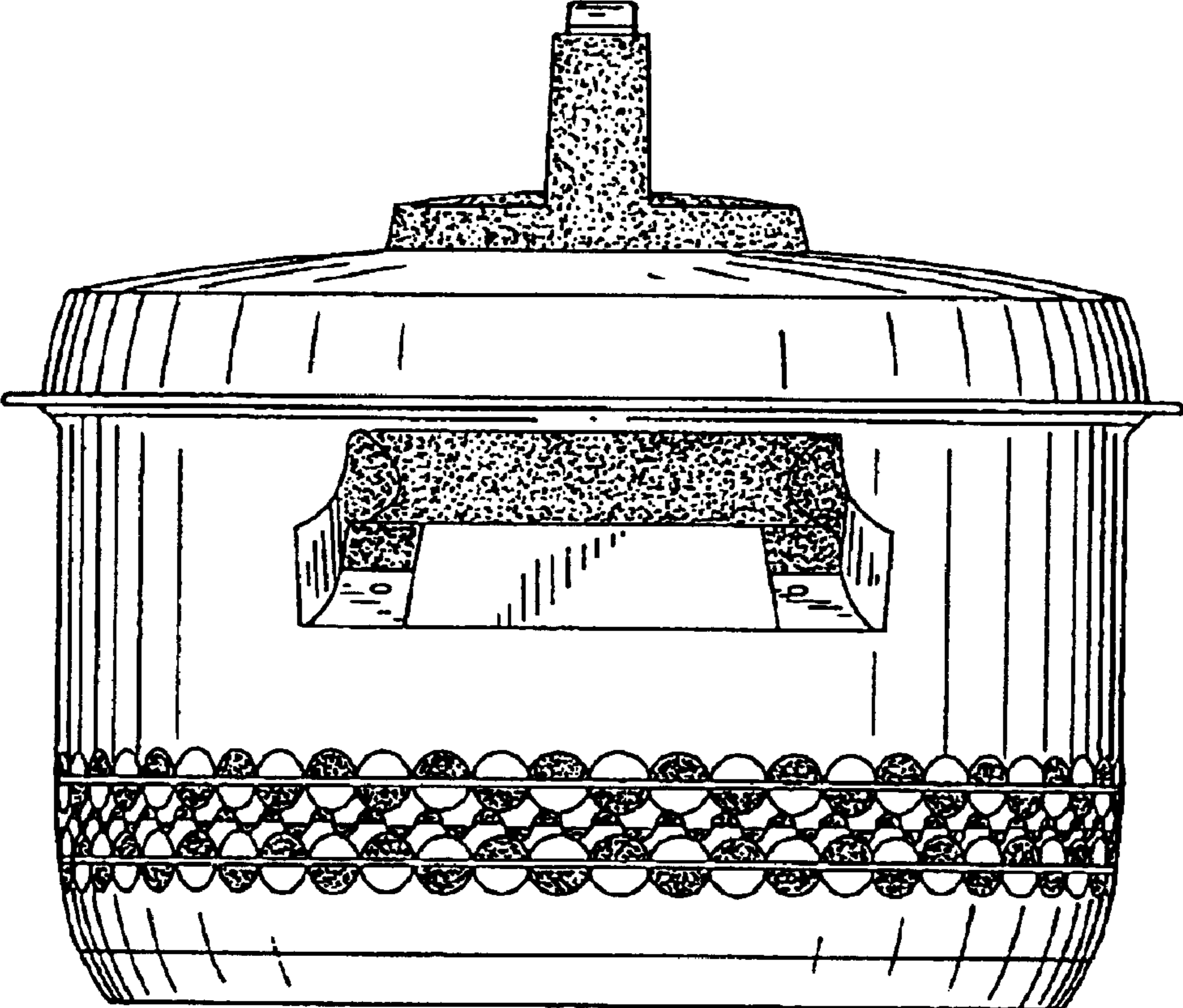


FIG. 13

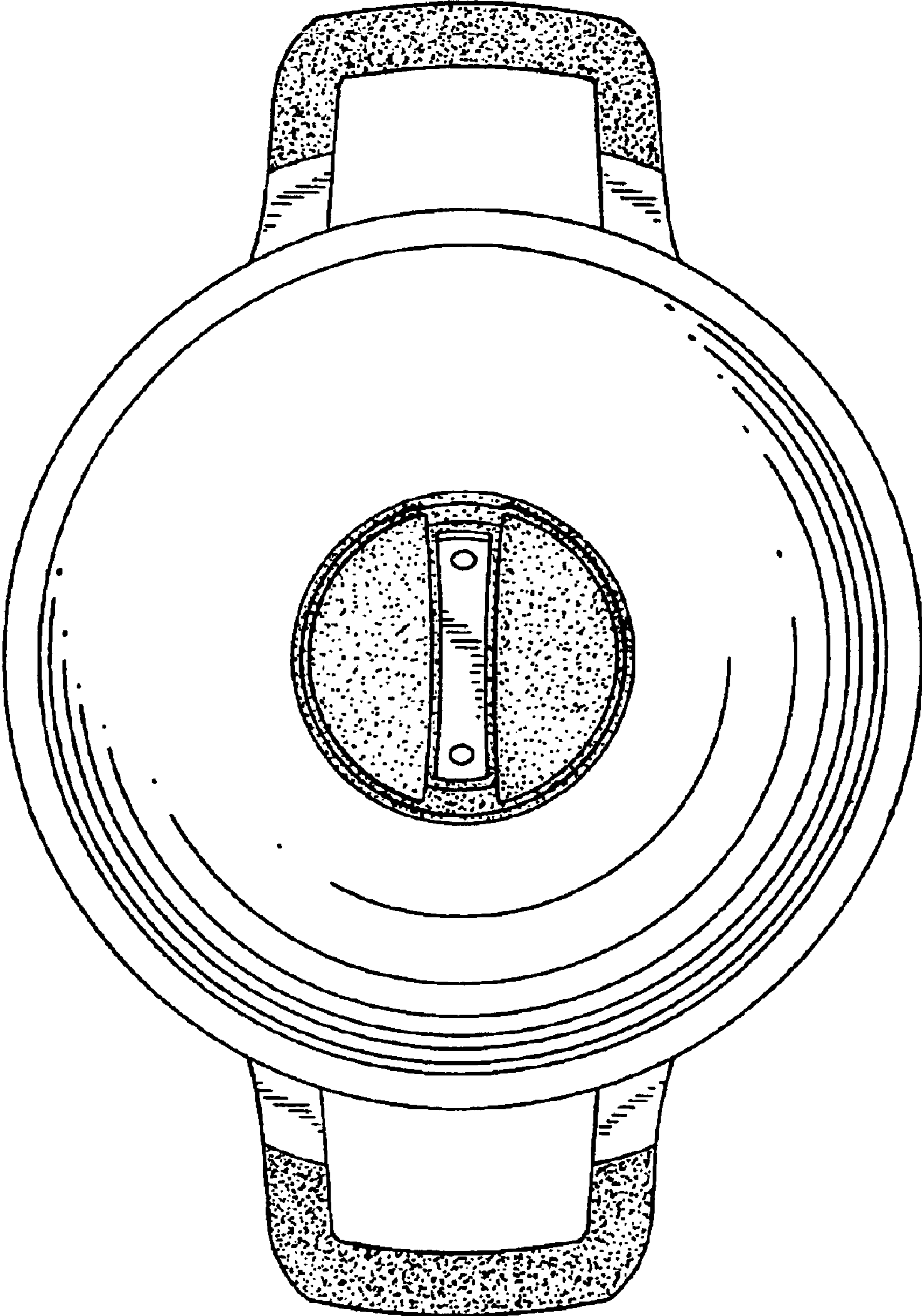


FIG. 14

