

US00D496553S1

(12) **United States Design Patent**
Bodum

(10) **Patent No.:** **US D496,553 S**

(45) **Date of Patent:** **** Sep. 28, 2004**

(54) **COFFEE MACHINE**

(75) **Inventor:** **Jørgen Bodum, St. Niklausen (CH)**

(73) **Assignee:** **PI-Design AG, Triengen (CH)**

(**) **Term:** **14 Years**

(21) **Appl. No.:** **29/181,974**

(22) **Filed:** **May 19, 2003**

(30) **Foreign Application Priority Data**

Nov. 30, 2002 (DK) 2002 00946

(51) **LOC (7) Cl.** **07-01**

(52) **U.S. Cl.** **D7/309; D7/311**

(58) **Field of Search** D7/300, 309, 310,
D7/311, 306, 307, 308, 312; 99/323, 295,
285, 289 R, 282

(56) **References Cited**

U.S. PATENT DOCUMENTS

D207,526 S * 4/1967 Martin D7/311
4,683,812 A * 8/1987 Tarlow et al. 99/289 R
D299,304 S * 1/1989 Knochner et al. D7/309

D379,049 S * 5/1997 Amiel D7/305
D397,904 S * 9/1998 Longhi D7/309
D406,982 S * 3/1999 Littmann D7/309
D478,765 S * 8/2003 Seum et al. D7/308
D479,939 S * 9/2003 Au D7/309

* cited by examiner

Primary Examiner—M. N. Pandozzi

(74) *Attorney, Agent, or Firm*—Nath & Associates PLLC

(57) **CLAIM**

The ornamental design for a coffee machine, as shown and described.

DESCRIPTION

FIG. 1 is an oblique perspective view of the coffee machine; FIG. 2 is a front view of the coffee machine, as shown in FIG. 1;

FIG. 3 is a right side view of the coffee machine;

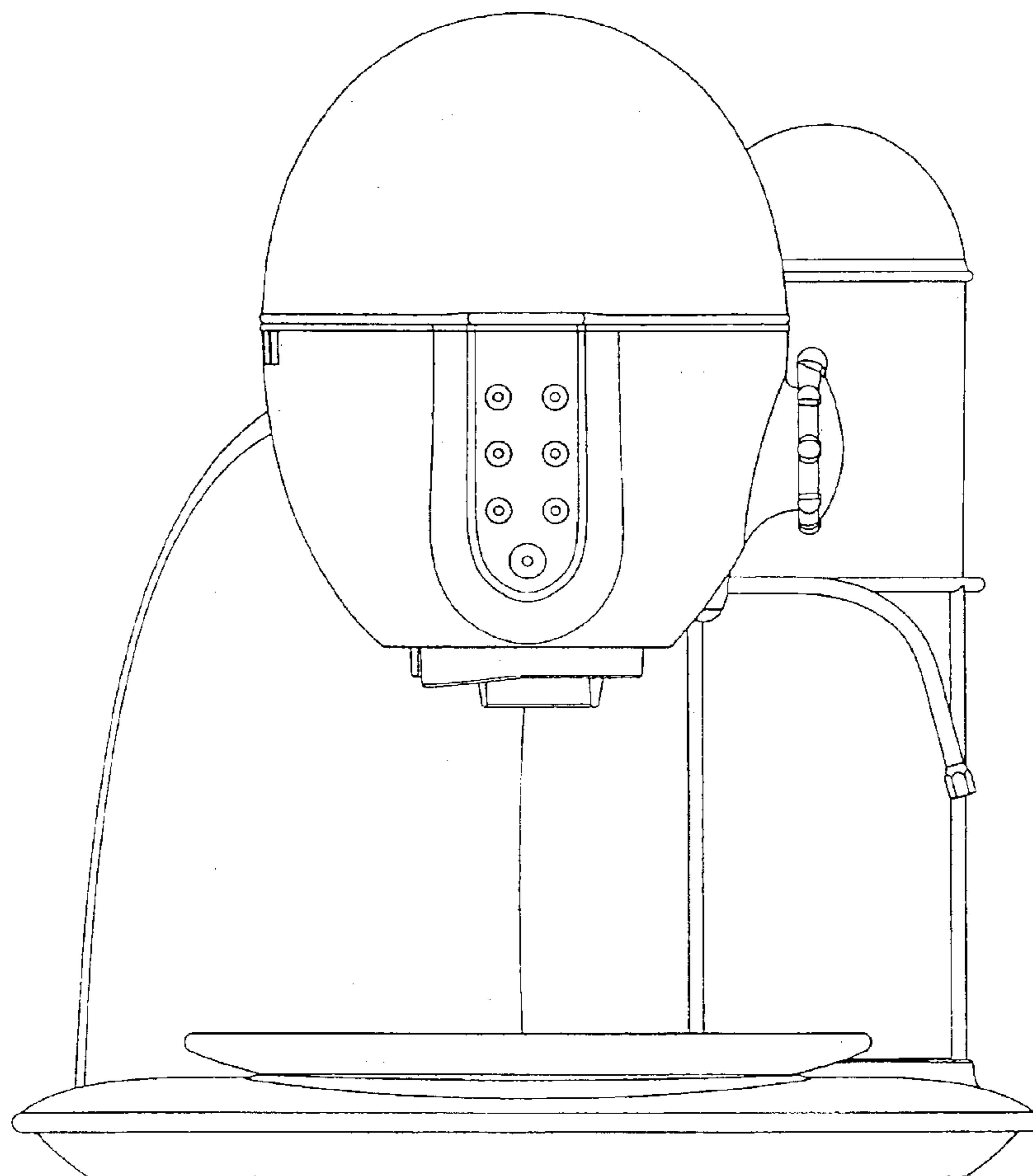
FIG. 4 is a back view of the coffee machine;

FIG. 5 is a left side view of the coffee machine;

FIG. 6 is a top view of the coffee machine; and,

FIG. 7 is a bottom view of the coffee machine.

1 Claim, 7 Drawing Sheets



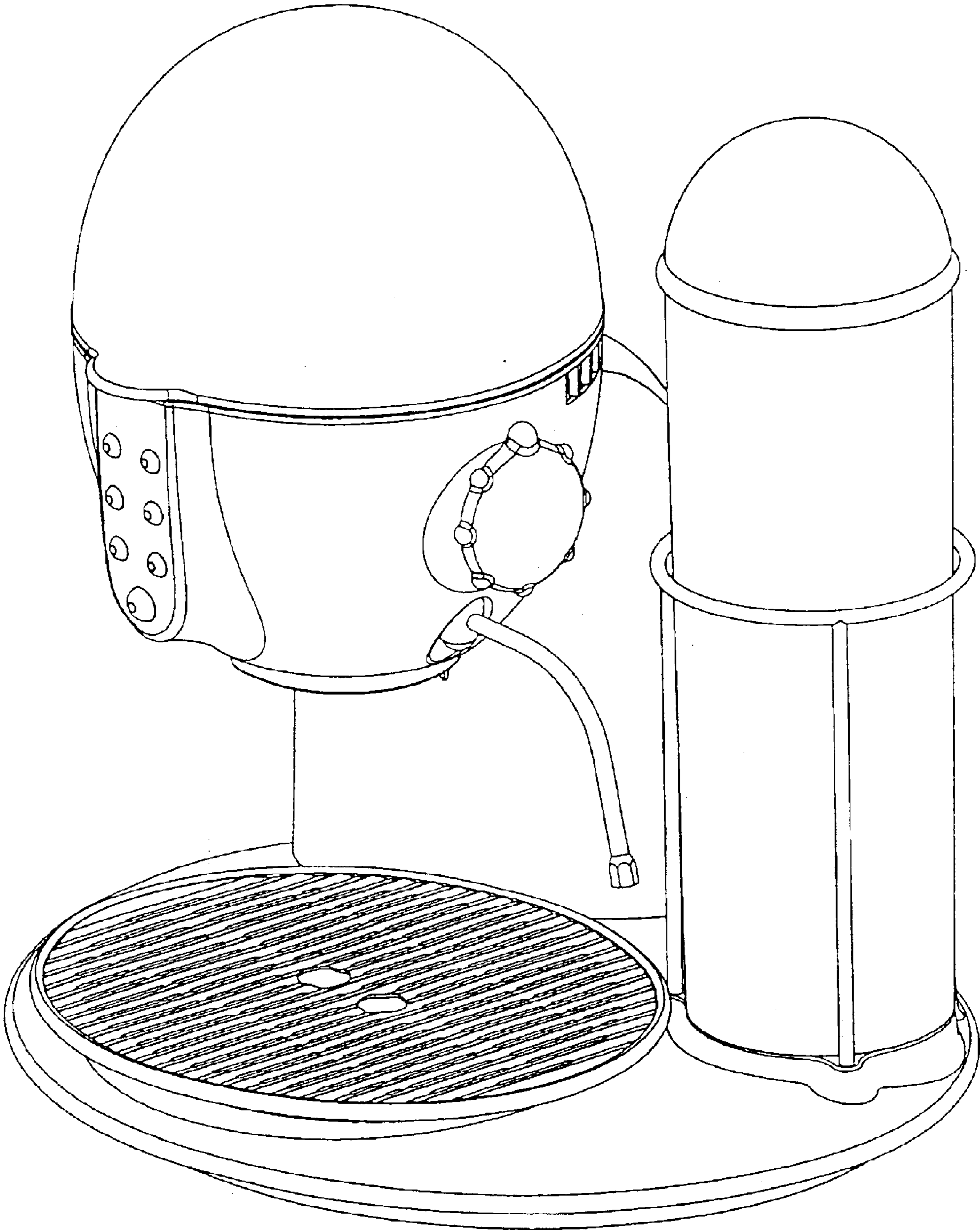


Fig. 1

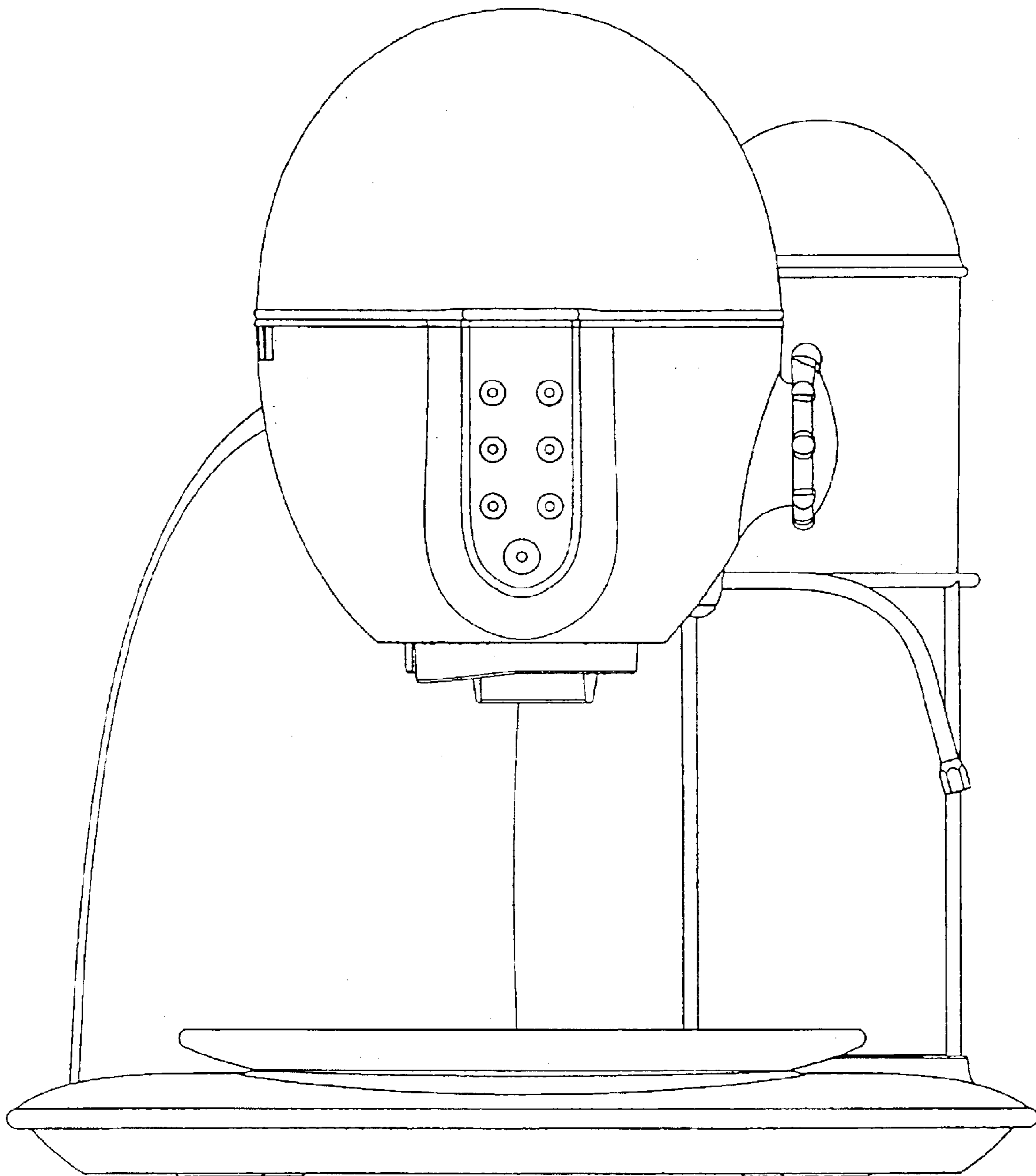


Fig. 2

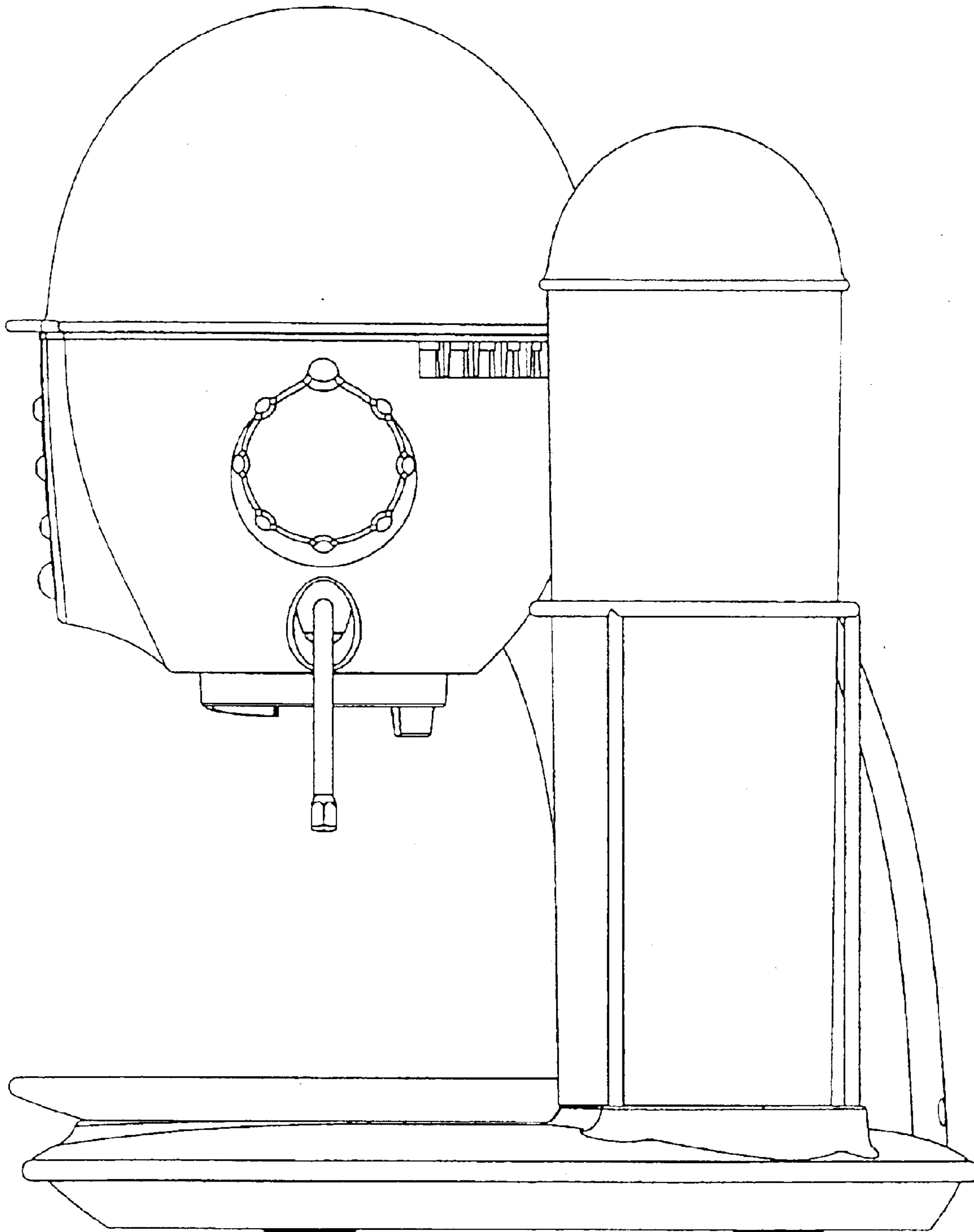


Fig. 3

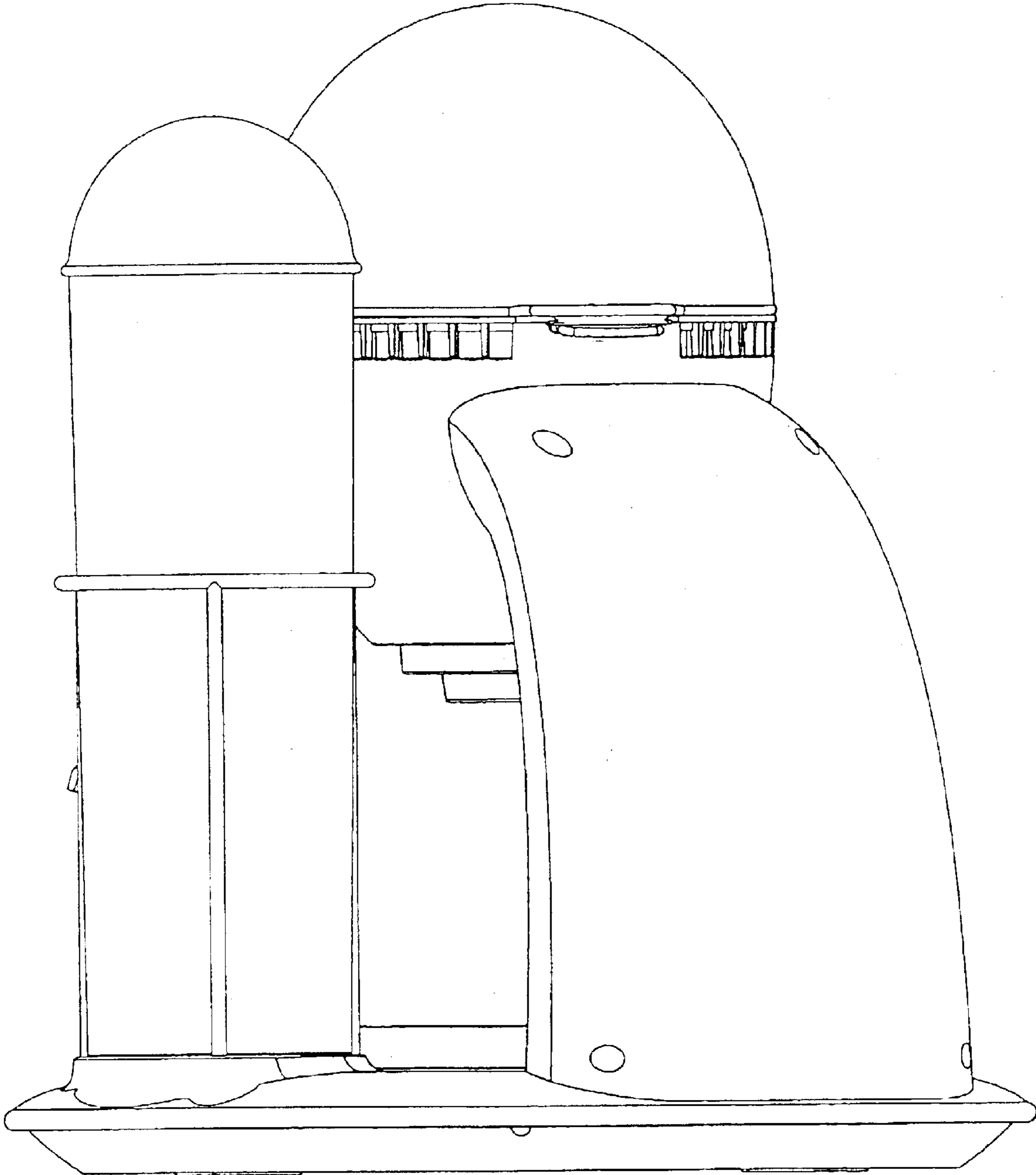


Fig. 4

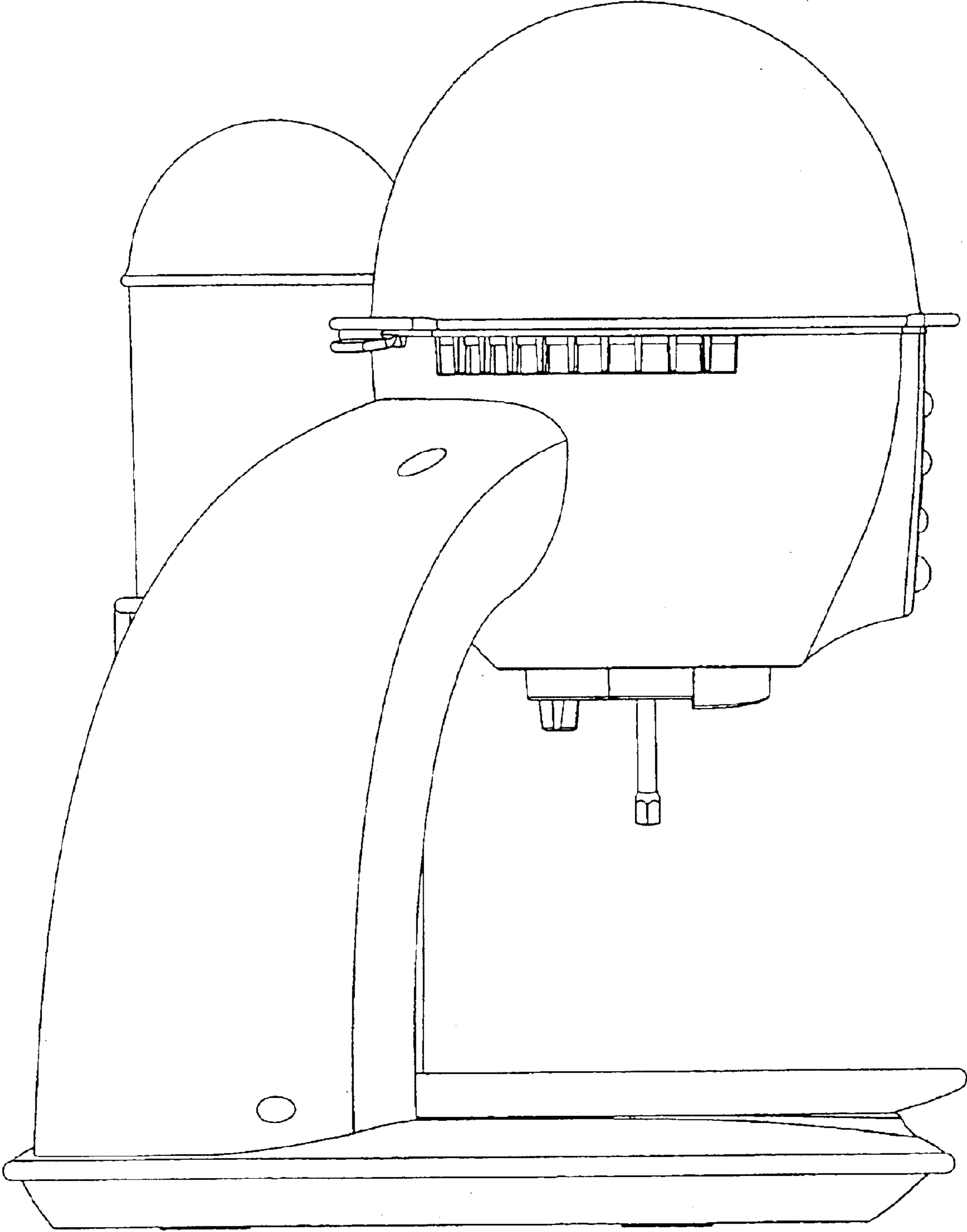


Fig. 5

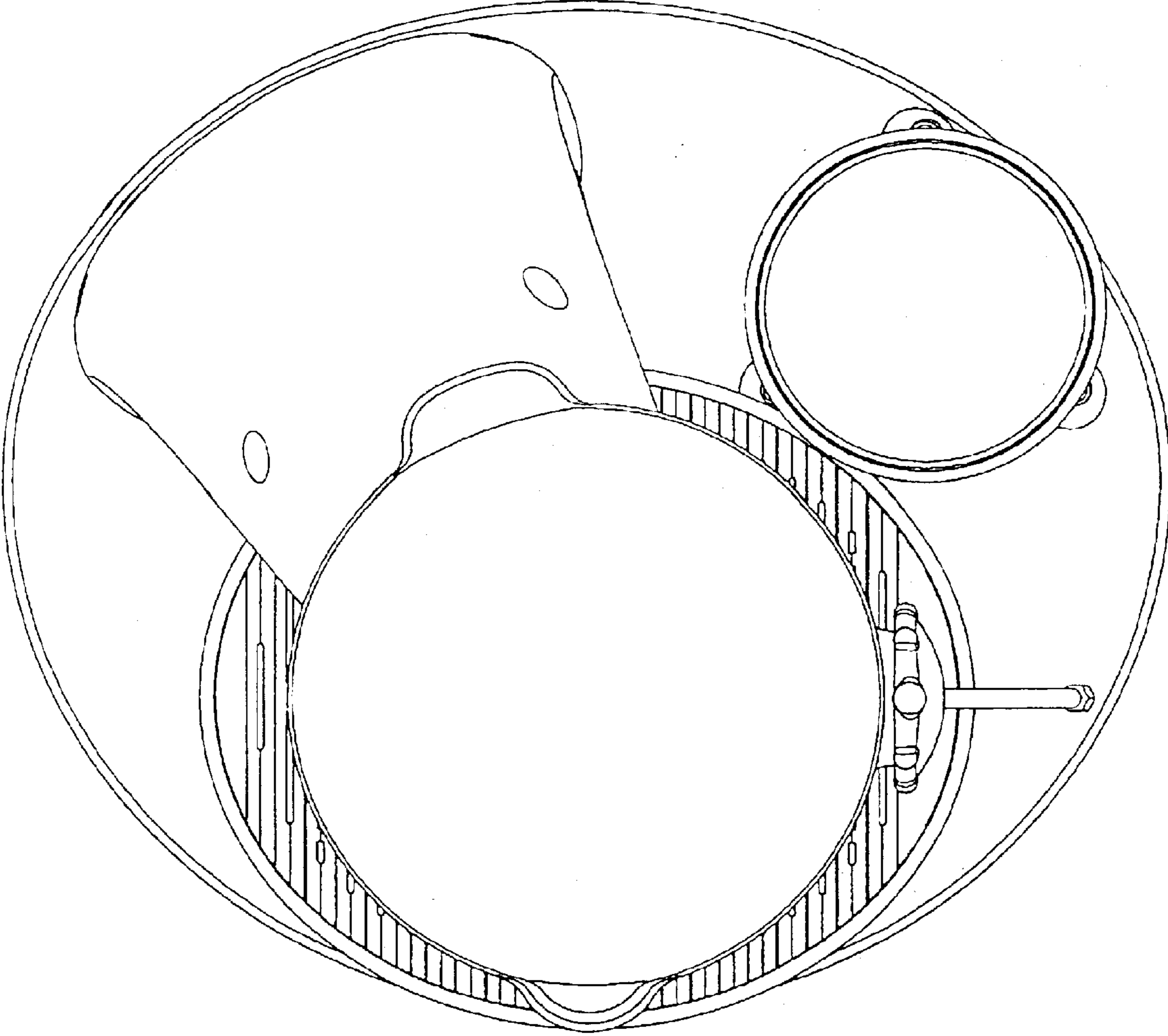


Fig. 6

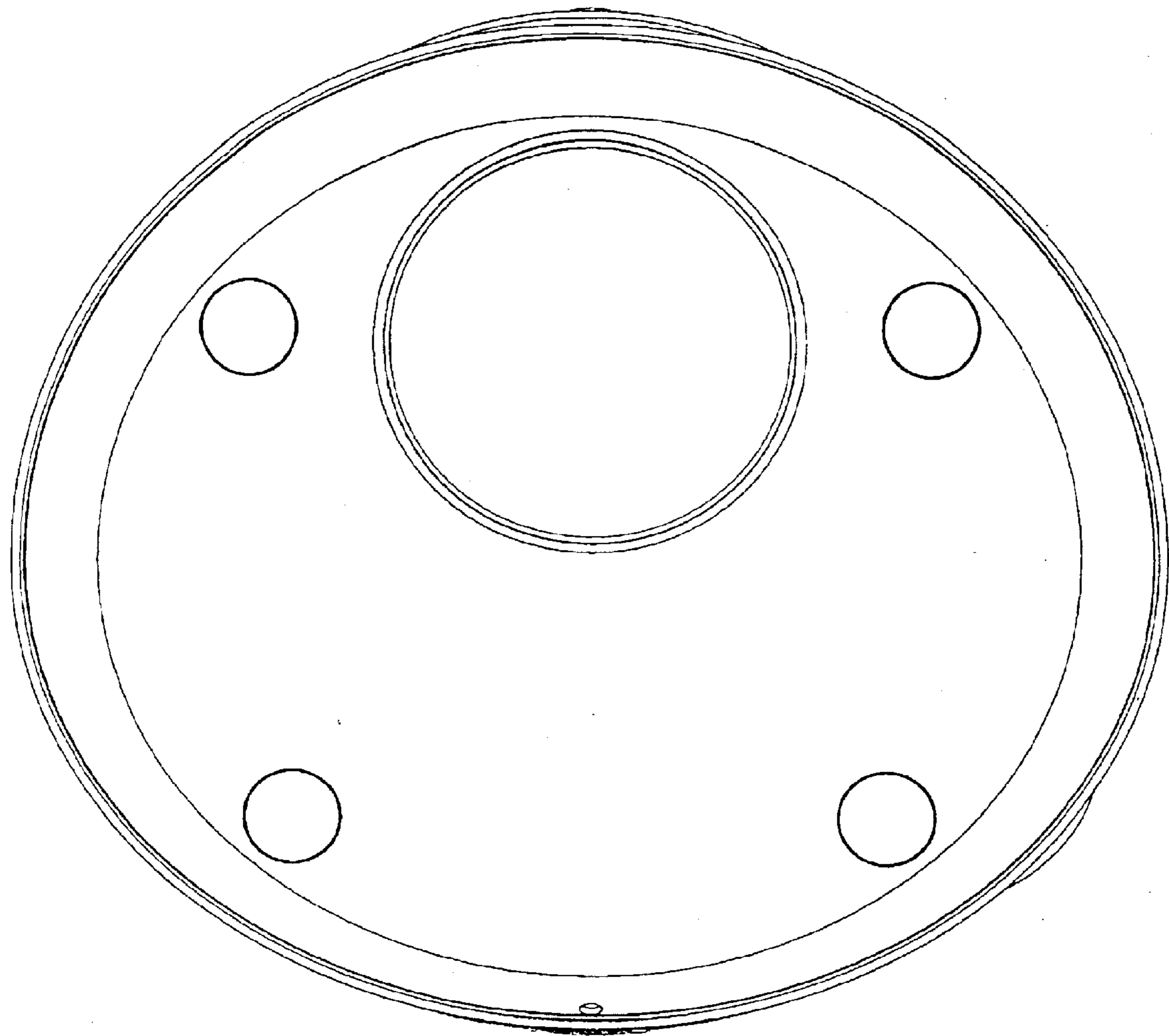


Fig. 7