



US00D496550S1

(12) **United States Design Patent**
Fichman

(10) **Patent No.:** **US D496,550 S**

(45) **Date of Patent:** **** Sep. 28, 2004**

(54) **FOLD-UP WORKSHOP**

(75) Inventor: **Millie Fichman**, Tel Aviv (IL)

(73) Assignee: **Zag Industries, Ltd.** (IL)

(**) Term: **14 Years**

(21) Appl. No.: **29/182,834**

(22) Filed: **Jun. 3, 2003**

(51) **LOC (7) Cl.** **06-04**

(52) **U.S. Cl.** **D6/555**

(58) **Field of Search** D6/555, 553, 567,
D6/569; 312/114, 126, 128-129, 204, 231,
234, 242, 245; 211/13.1, 14, 88.01, 134,
126.1

(56) **References Cited**

U.S. PATENT DOCUMENTS

D302,772 S	*	8/1989	Friedman	D6/555
D326,384 S	*	5/1992	Burt et al.	D6/555
D395,185 S	*	6/1998	Neufeld et al.	D6/555
D412,634 S	*	8/1999	Helmsderfer et al.	D6/555
D422,441 S	*	4/2000	Perelli	D6/555
D459,131 S	*	6/2002	Zazenski	D6/555

* cited by examiner

Primary Examiner—Brian N Vinson

(74) *Attorney, Agent, or Firm*—Pillsbury Winthrop LLP

(57) **CLAIM**

The ornamental design for a fold-up workshop, as shown and described.

DESCRIPTION

FIG. 1 is a top, front, and side perspective view showing my new design;

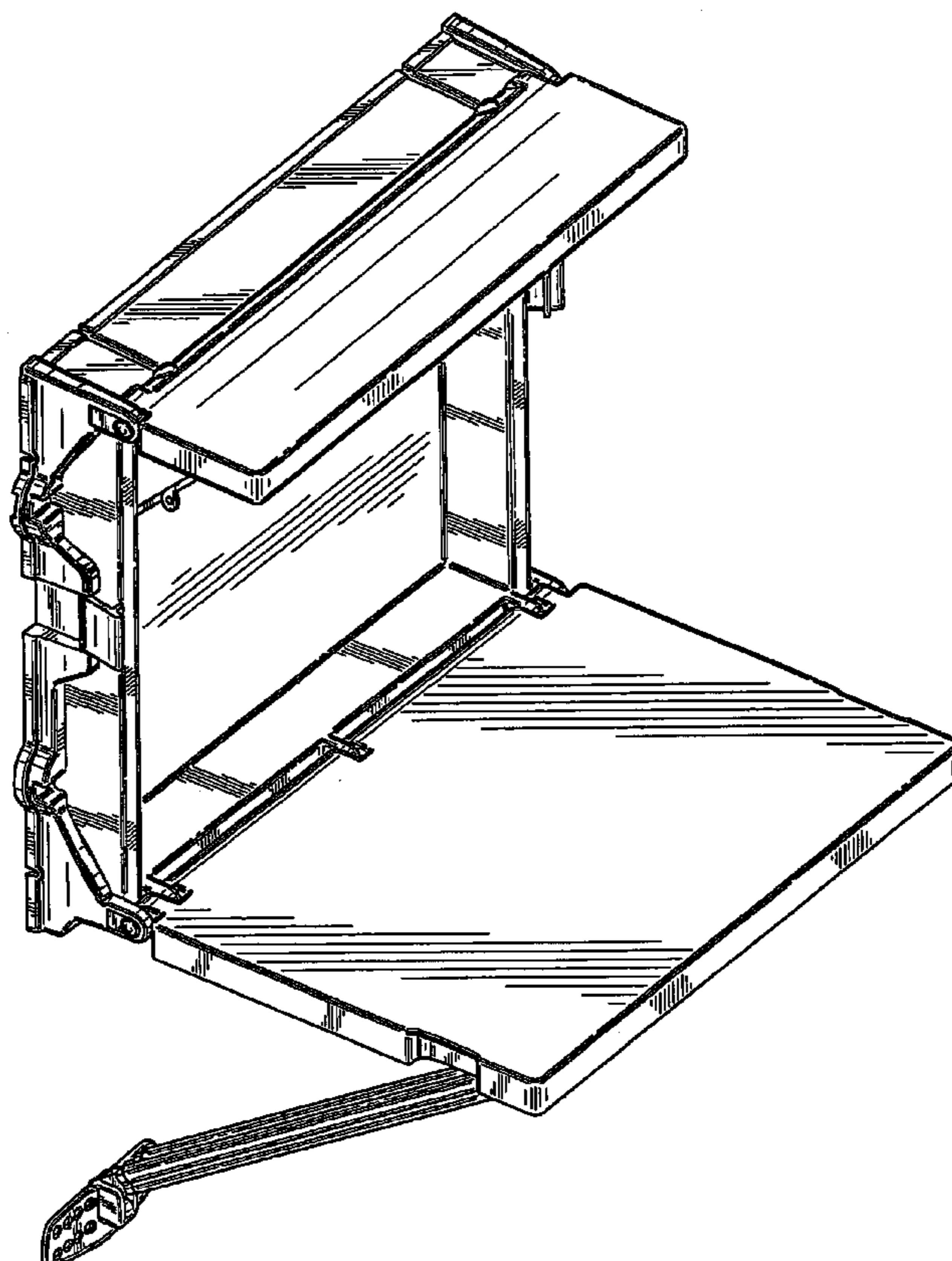
FIG. 2 is a front elevational view thereof;

FIG. 3 is a top plan view thereof; and,

FIG. 4 is a right side elevational view thereof, the left side being a mirror image of that shown.

Throughout the various figures of the drawings, certain views are not provided. The omission of a particular view is intended to convey that the elements depicted in that omitted view, or that the particular ornamental appearance in that view is simply not claimed. Where included, broken lines showing environment or structure are for illustrative purposes only and form no part of the claimed design.

1 Claim, 4 Drawing Sheets



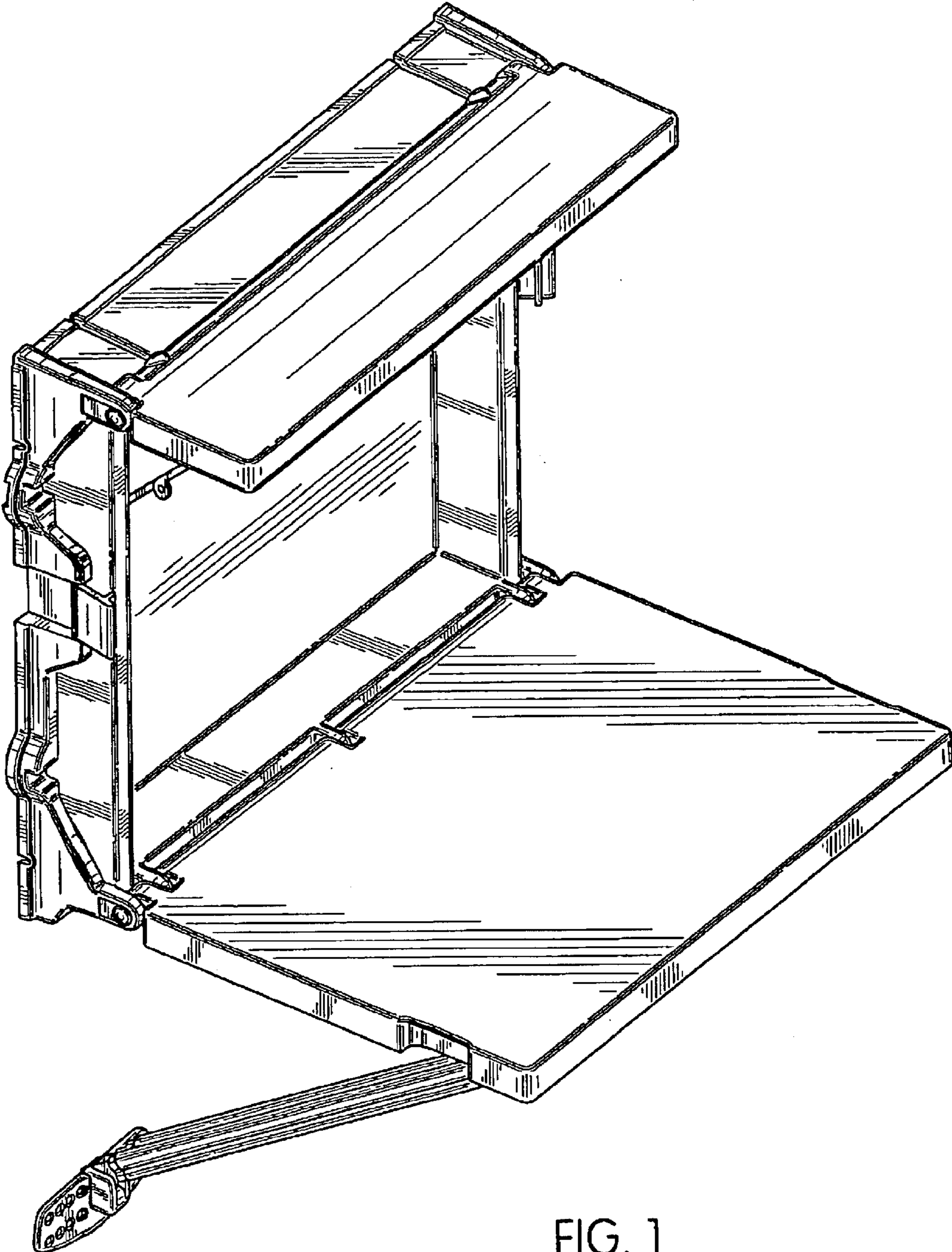


FIG. 1

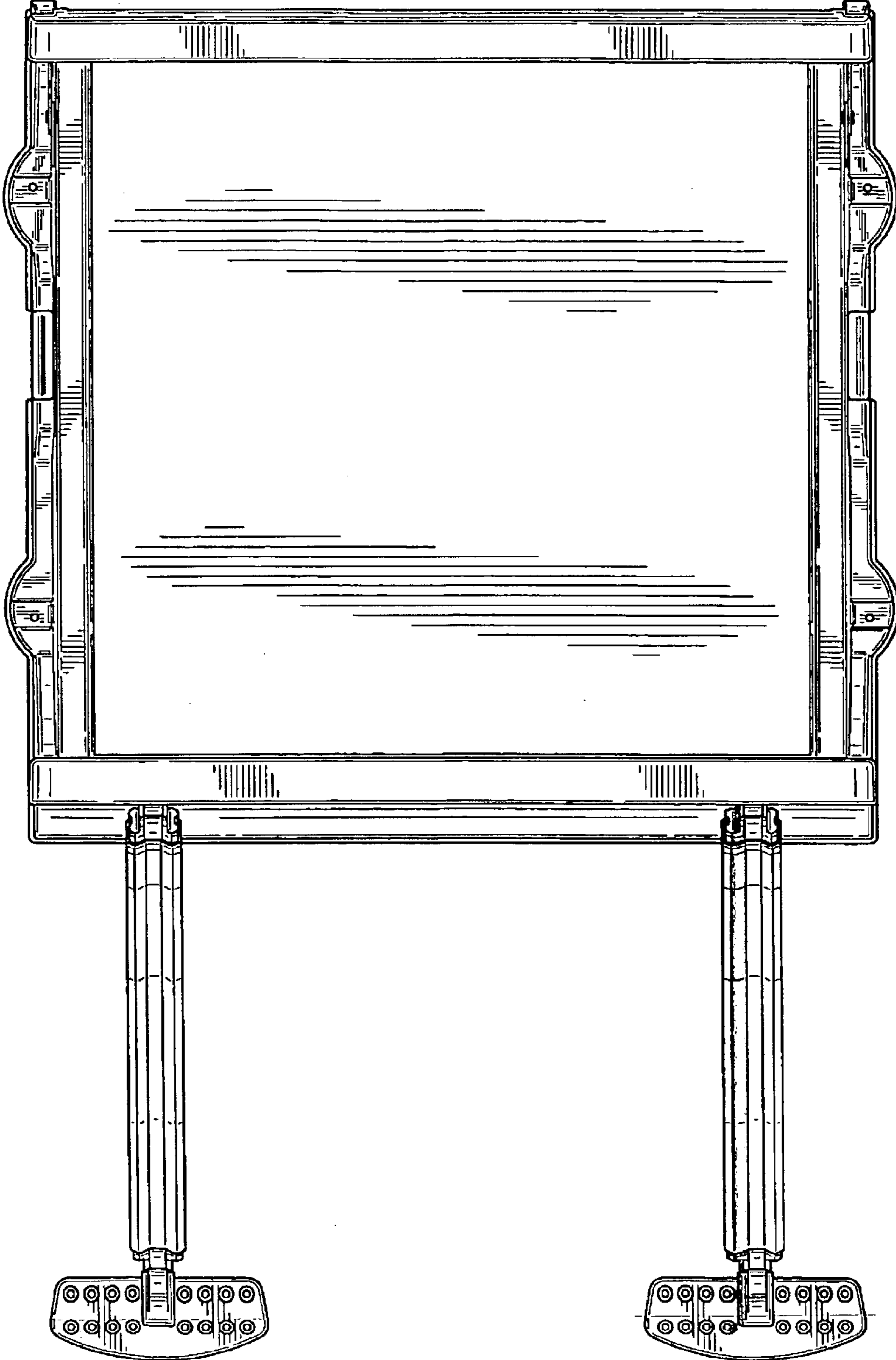


FIG. 2

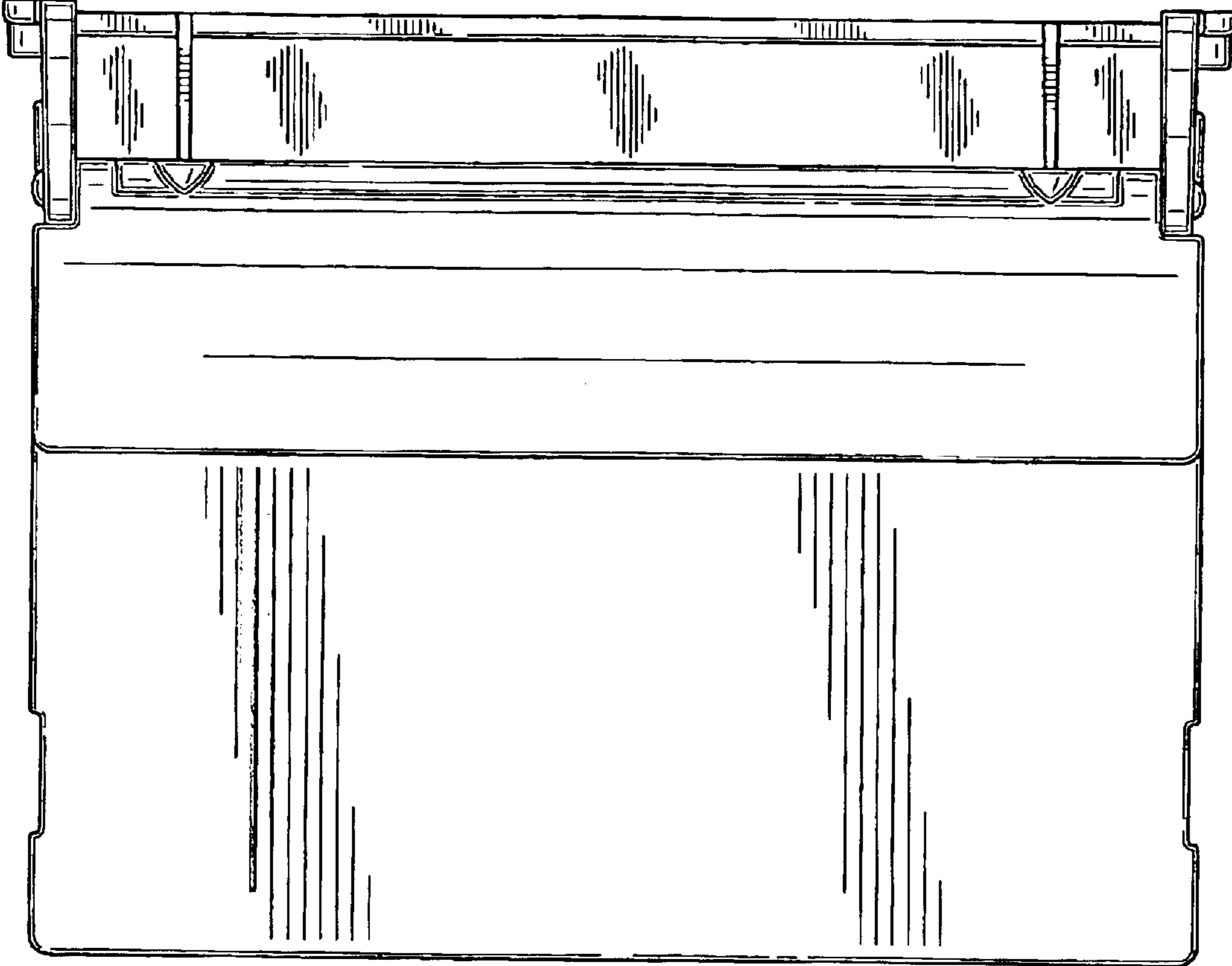


FIG. 3

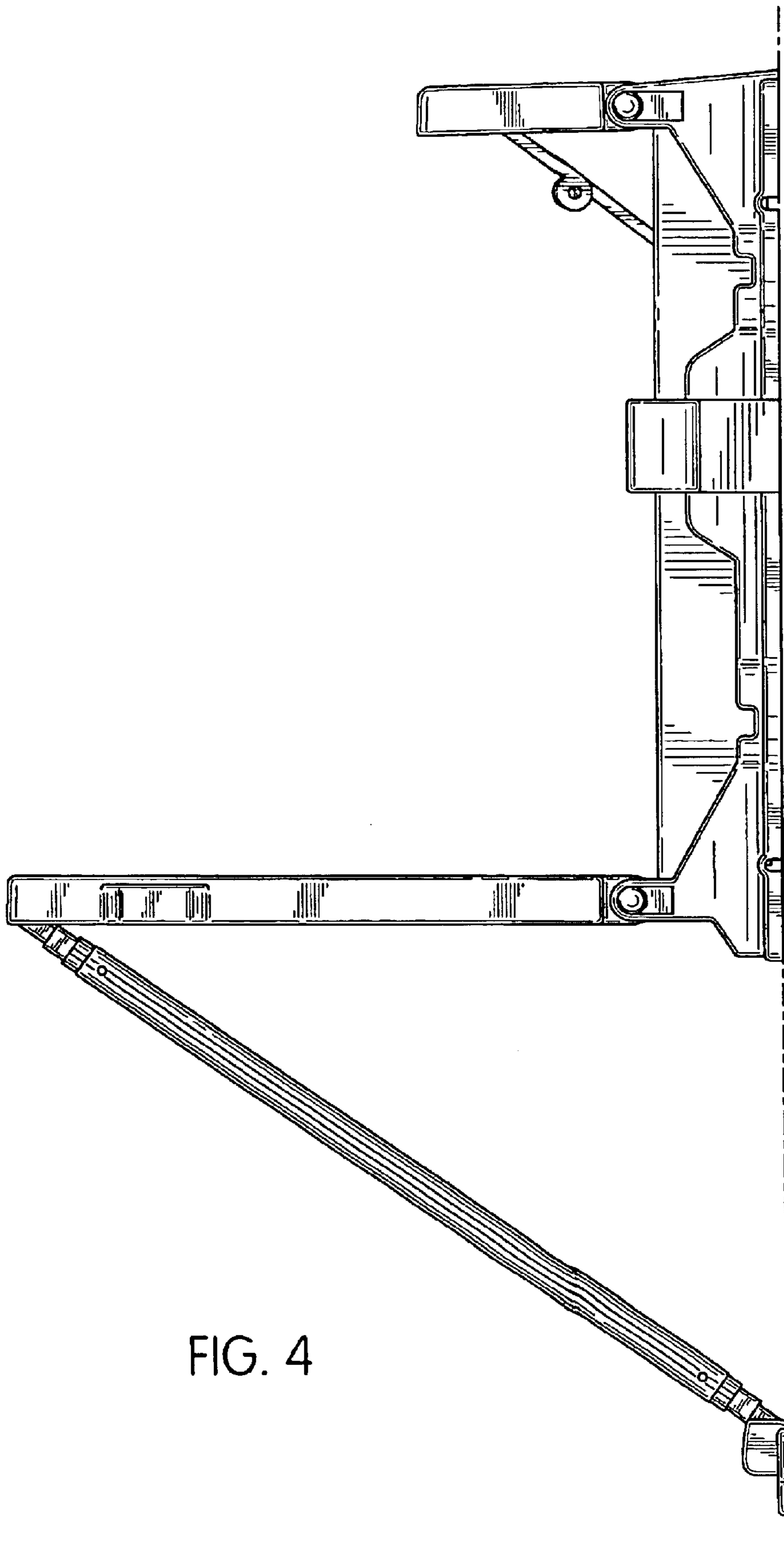


FIG. 4