

US00D496547S1

(12) **United States Design Patent** (10) **Patent No.:** **US D496,547 S**
Gasser (45) **Date of Patent:** **** Sep. 28, 2004**

(54) **CHAIR BACK**

(75) Inventor: **Mark E. Gasser**, Hubbard, OH (US)

(73) Assignee: **Gasser Chair Company, Inc.**,
Youngstown, OH (US)

(**) Term: **14 Years**

(21) Appl. No.: **29/186,293**

(22) Filed: **Jul. 14, 2003**

(51) **LOC (7) Cl.** **06-01**

(52) **U.S. Cl.** **D6/502**

(58) **Field of Search** D6/334, 335, 369,
D6/372, 374, 376, 379, 380, 500, 501,
502; 297/445.1, 446.1, 452.12, 452.26,
452.48

(56) **References Cited**

U.S. PATENT DOCUMENTS

D259,598 S	*	6/1981	Locher	D6/380
D336,795 S	*	6/1993	Rowe et al.	D6/380
D345,477 S		3/1994	Infanti		
D345,478 S		3/1994	Infanti		
D358,042 S	*	5/1995	Klein	D6/379
D380,314 S	*	7/1997	Chandler	D6/380

OTHER PUBLICATIONS

Excerpts of Fast Garden 1998 Catalog.
Excerpts from Shelby Williams website printed Jun. 21,
2002.
Excerpts from Infanti website printed Jun. 21, 2002.

Excerpts from Classico Seating website printed Jun. 21,
2002.

Excerpts from MLP Seating Corp. website printed Jun. 21,
2002.

Excerpts from Top Line Seating website printed Jun. 21,
2002.

Excerpts from Top Line Seating Catalog of unknown pub-
lication date.

Catalogs and other materials depicting chairs manufactured
by Gasser Chair, Shelby Williams, Pinnacle Furnishings,
MLP Seating, and Top Line Seating.

* cited by examiner

Primary Examiner—Gary D. Watson

(74) *Attorney, Agent, or Firm*—Lerner, David, Littenberg,
Krumholz & Mentlik, LLP

(57) **CLAIM**

The ornamental design for a chair back, as shown and
described.

DESCRIPTION

FIG. 1 is a perspective view of the present invention;
FIG. 2 is a front elevational view thereof;
FIG. 3 is a rear elevational view thereof;
FIG. 4 is a right-side elevational view thereof (the left-side
elevational view being a mirror image);
FIG. 5 is a top plan view thereof; and,
FIG. 6 is a bottom plan view thereof.
The broken lines shown are for illustrative purposes only
and form no part of the claimed design.

1 Claim, 5 Drawing Sheets

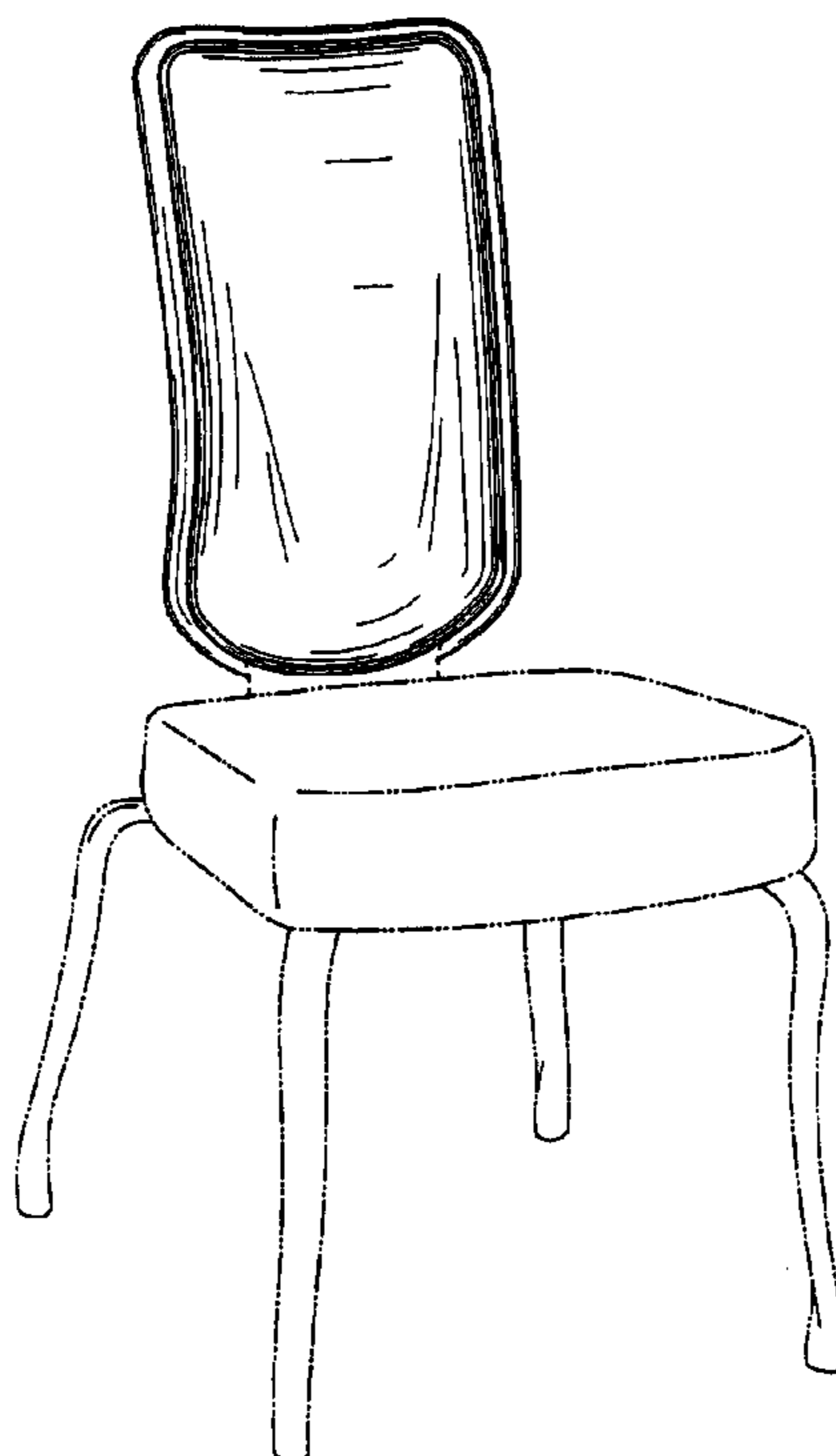


FIG. 1

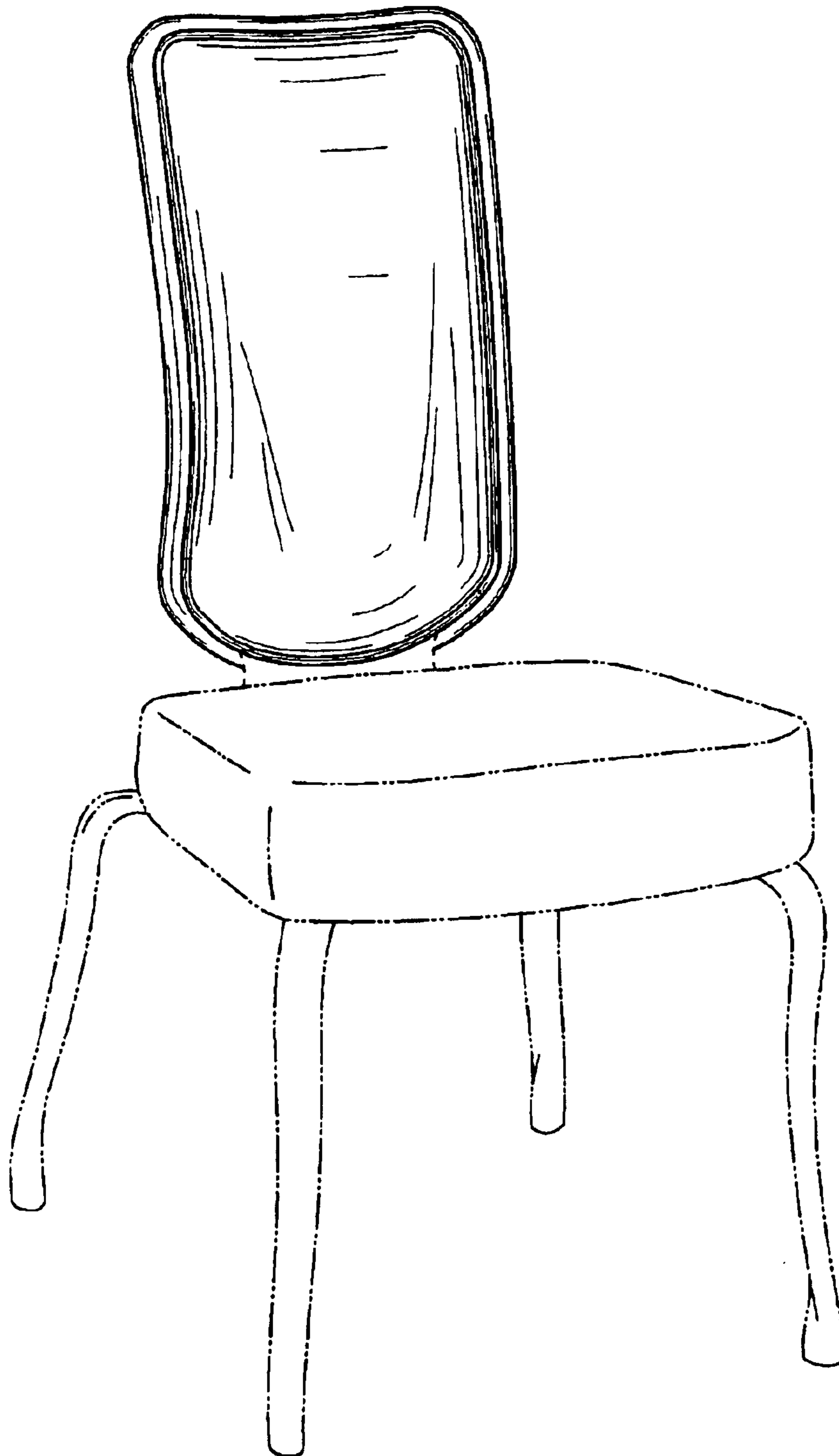


FIG. 2

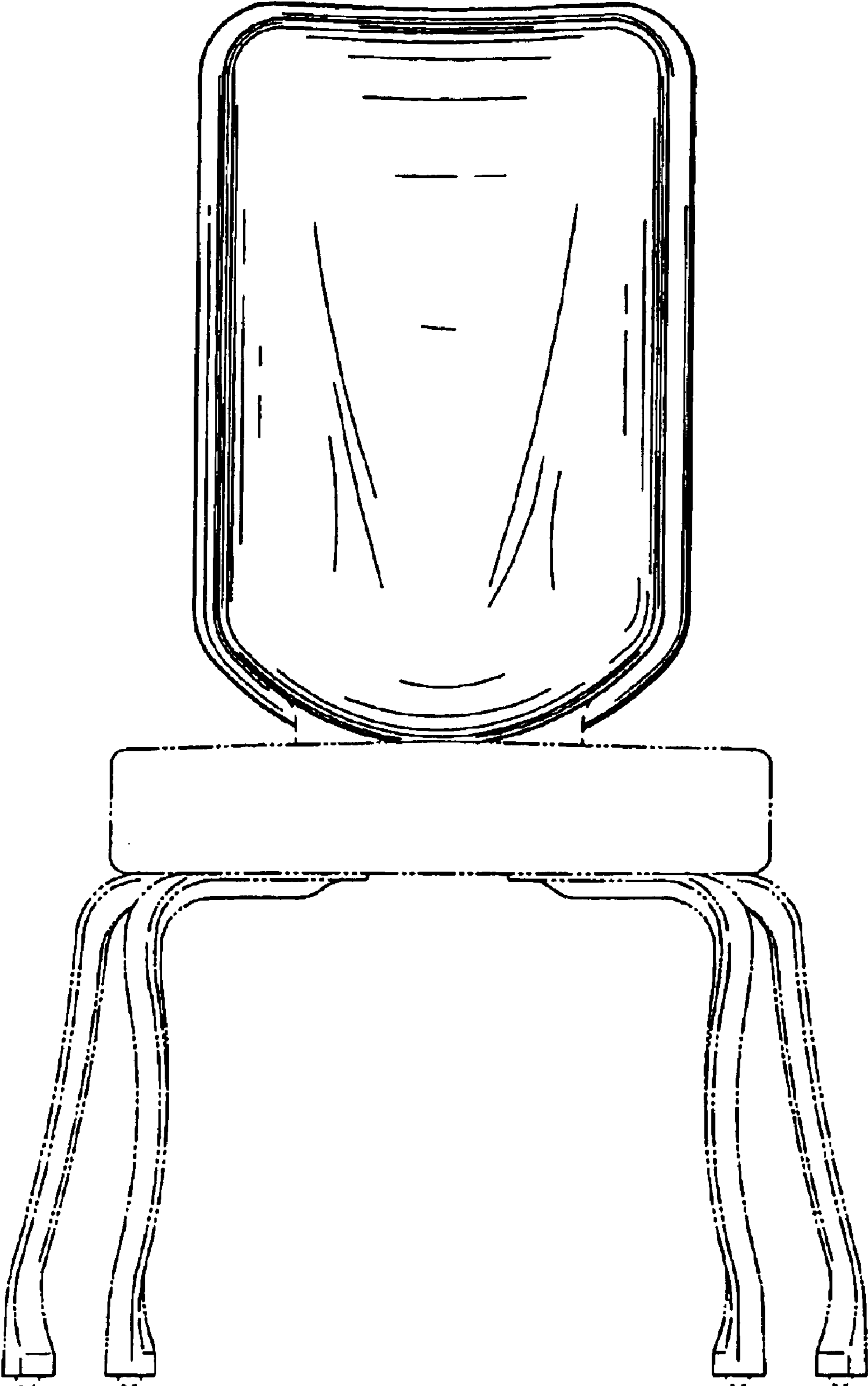


FIG. 3

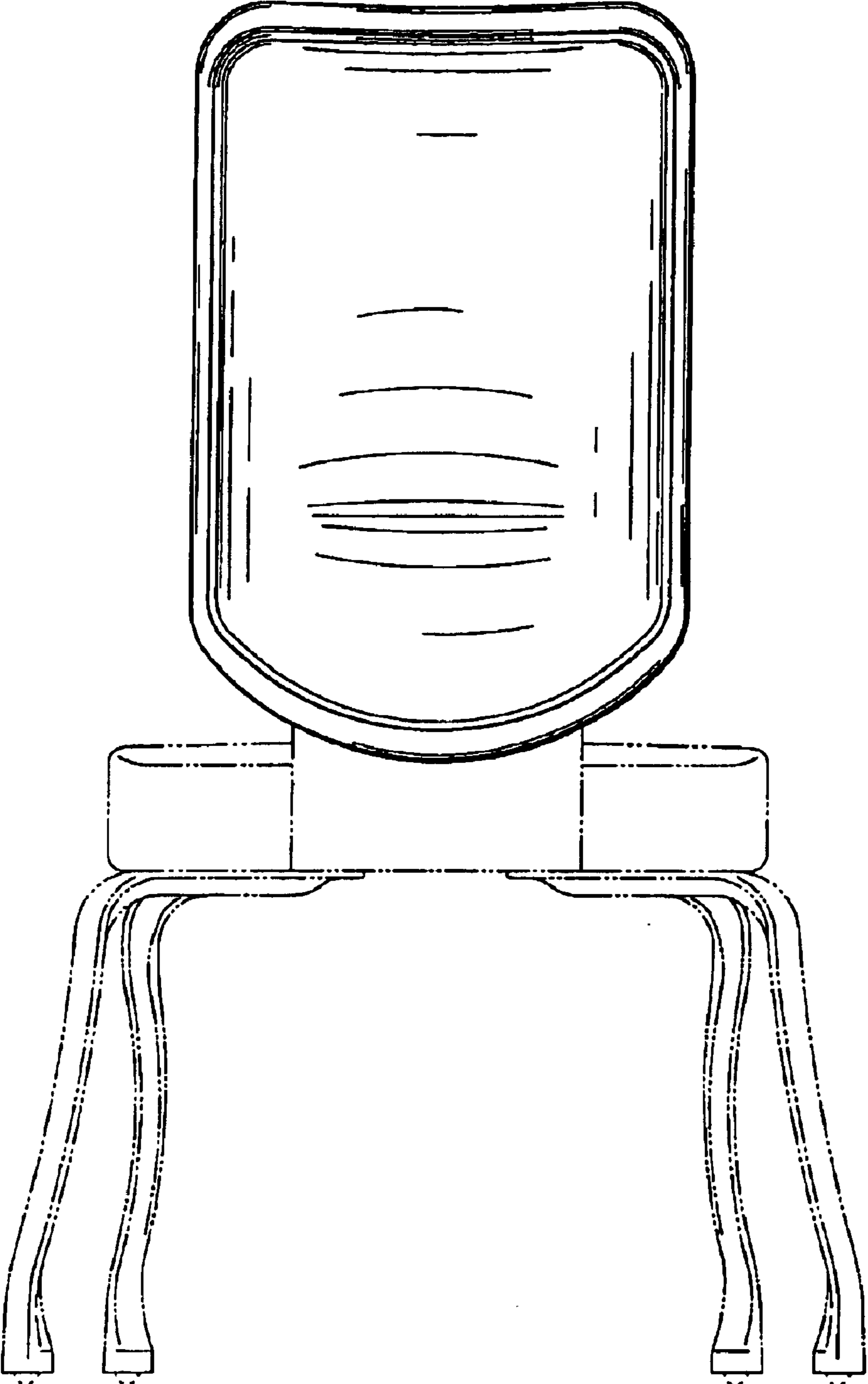


FIG. 4

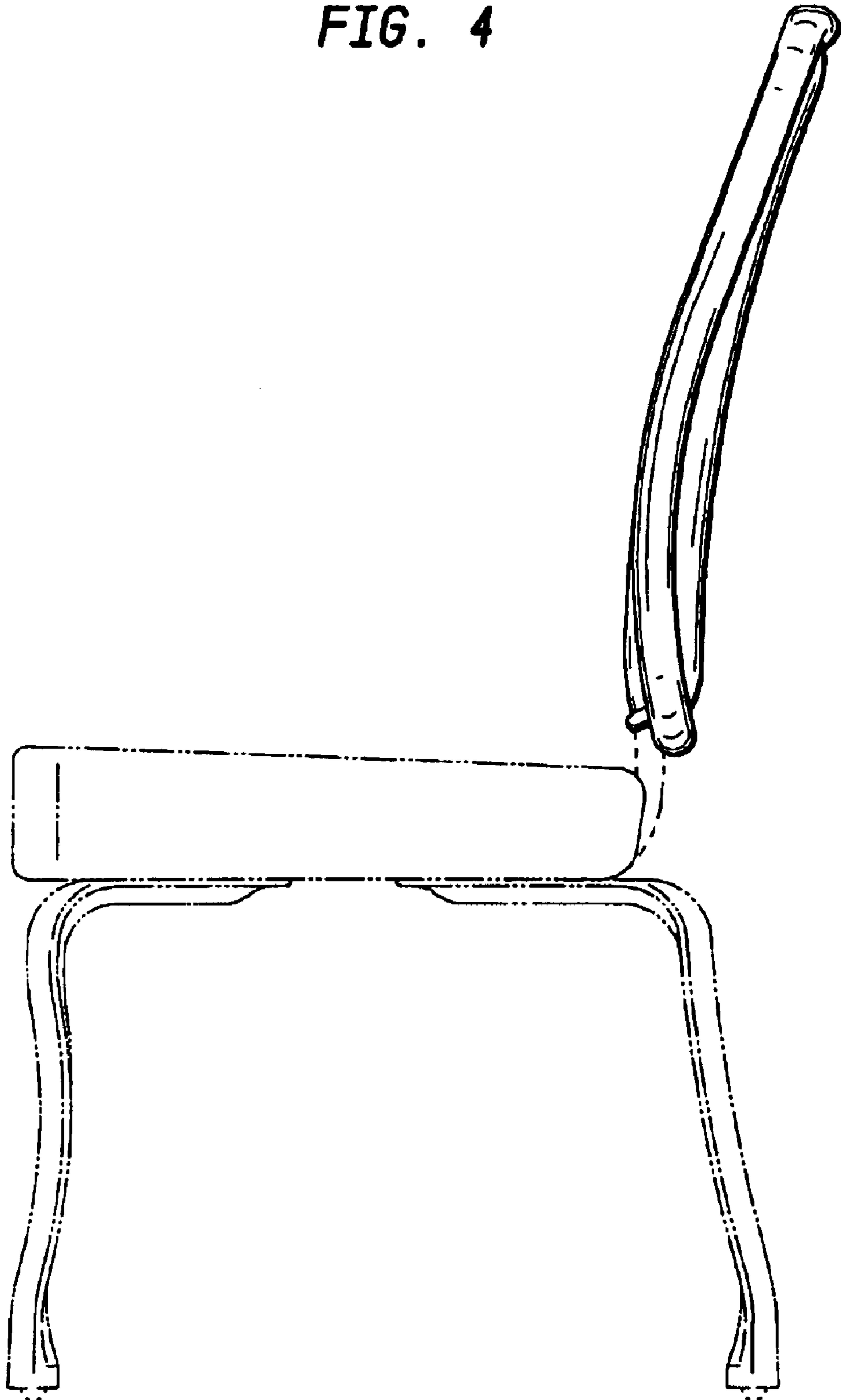


FIG. 5

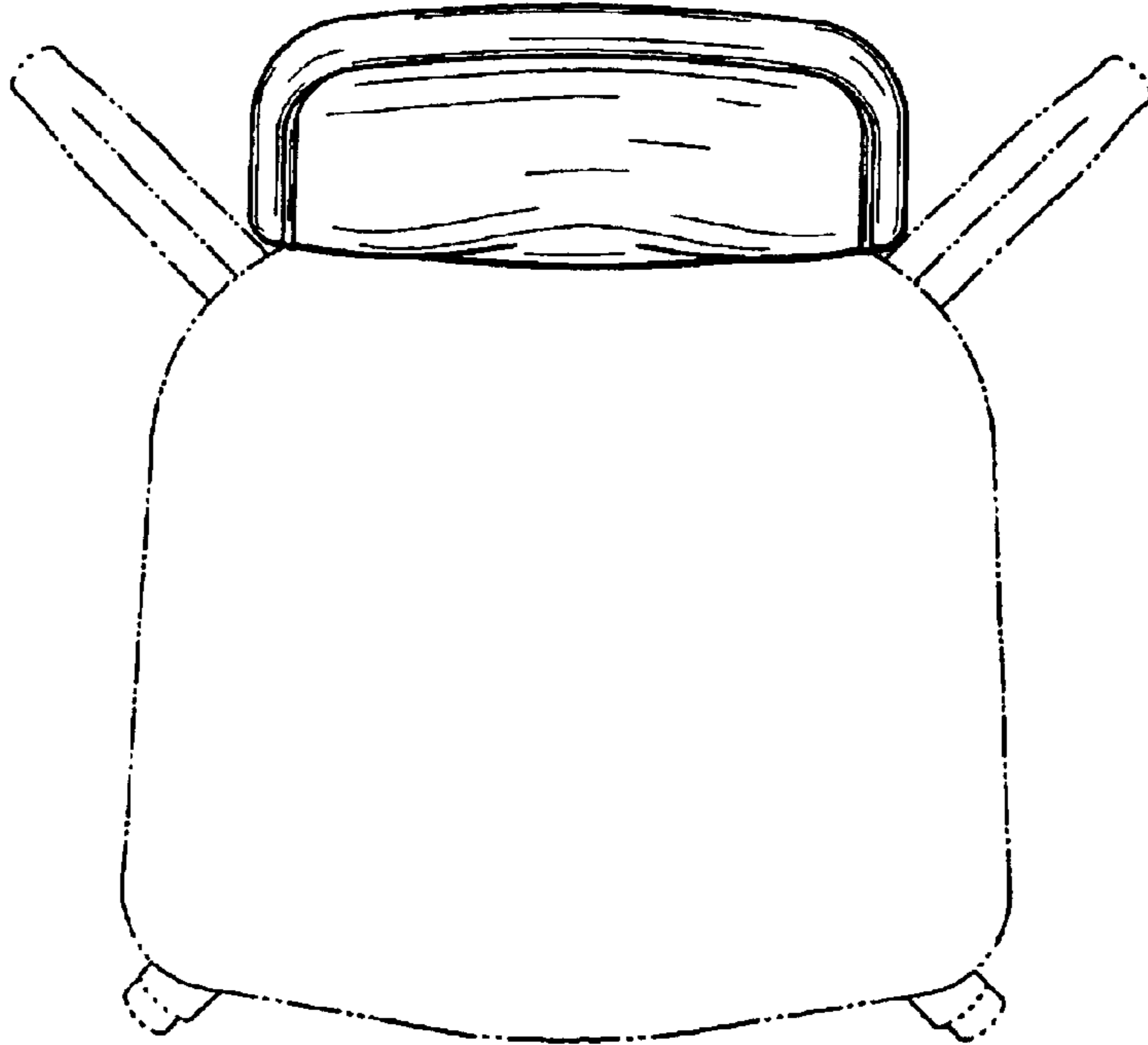


FIG. 6

